

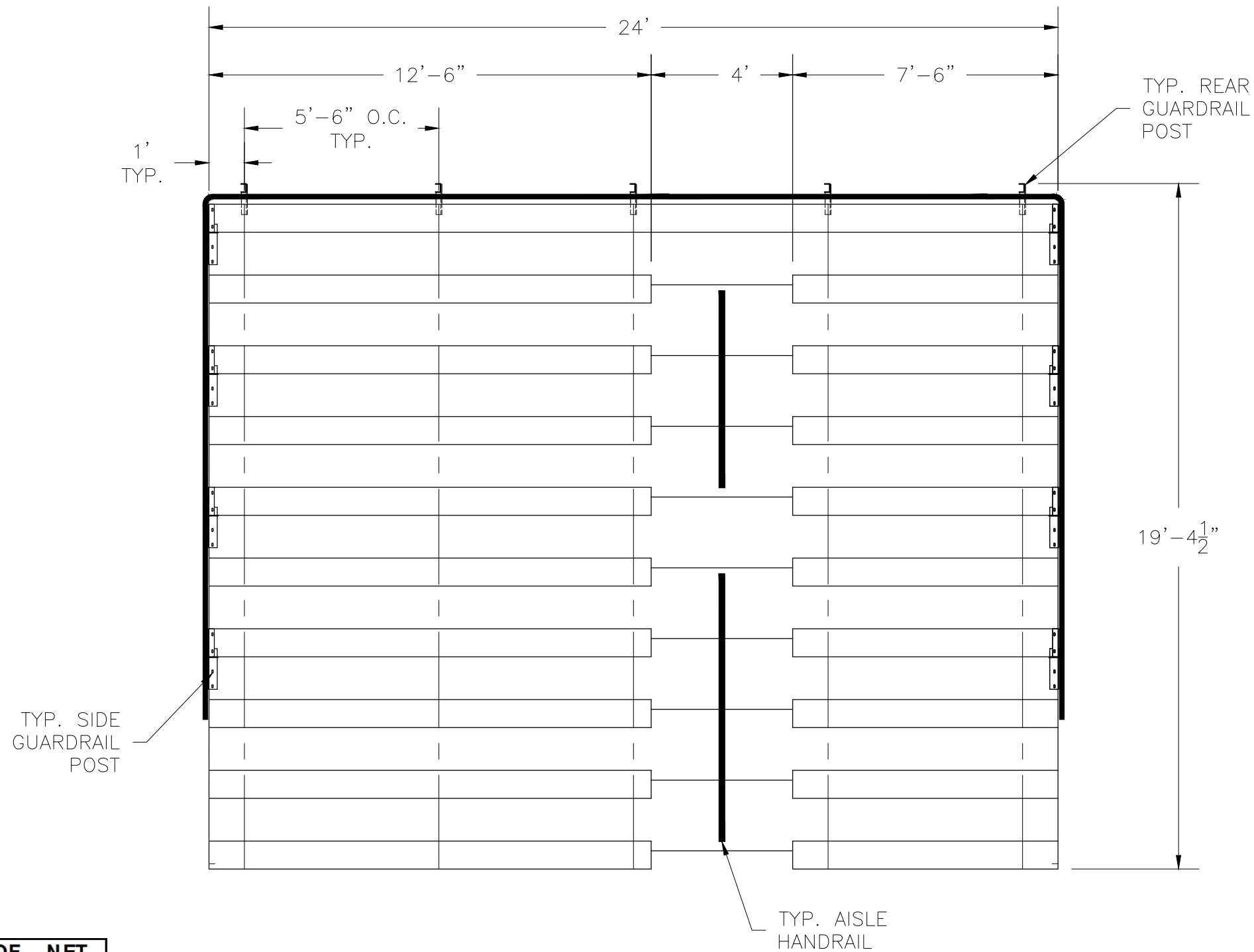
NA-1024TPDLX/CL

NON ELEVATED ALUM. 10 ROW X 24'-0" BLEACHER

National Recreation Systems, Inc.

1300-D NORTH AIRPORT OFFICE PARK FORT WAYNE, IN 46825

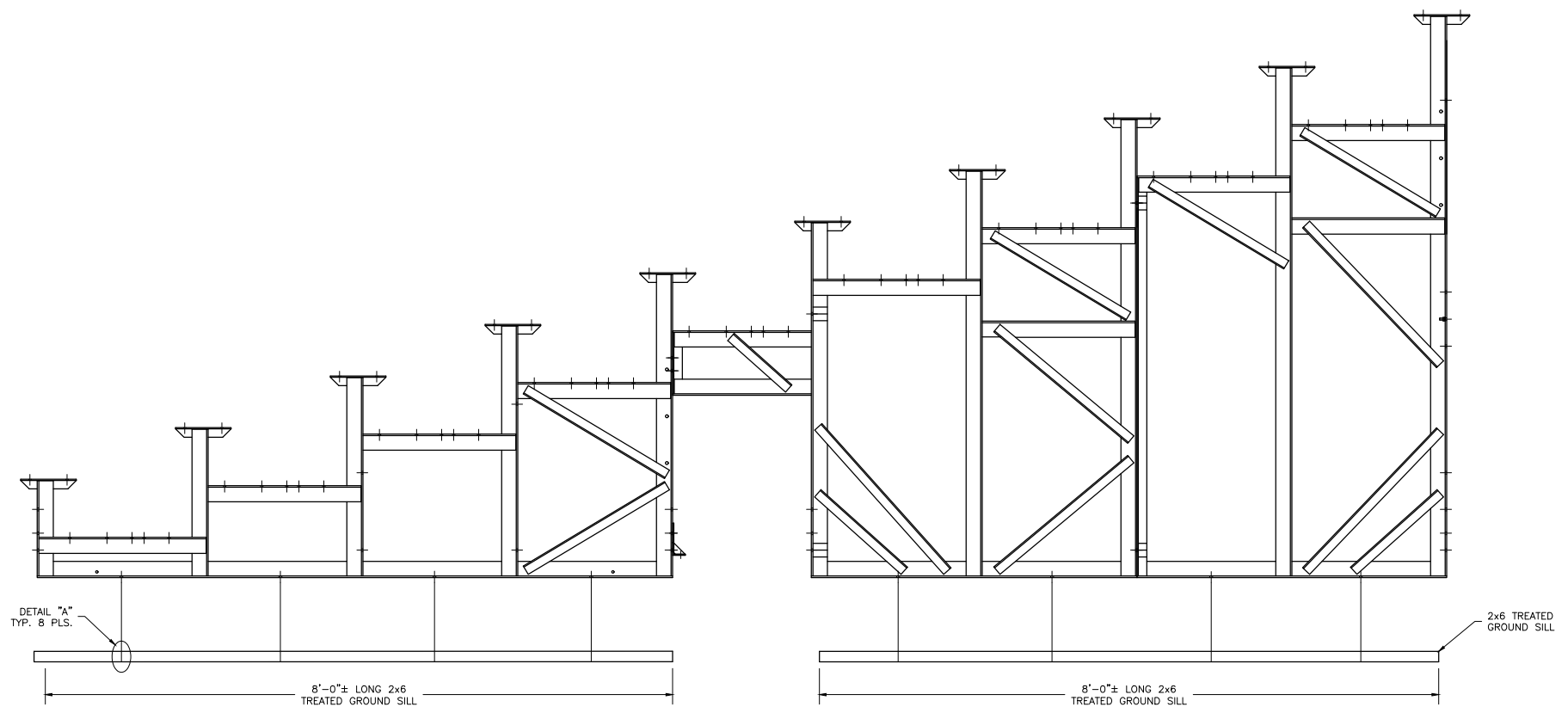
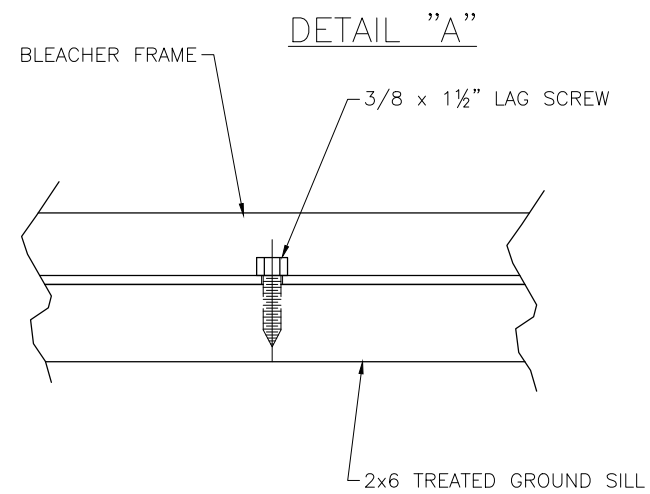
CS.1	- COVER SHEET
BS.1	- BLEACHER SEATING PLAN
AP.1	- ANCHORING PLAN
BA.1	- BLEACHER ASSEMBLY
GR.1	- GUARD RAIL ASSEMBLY
VA.1	- VERTICAL AISLE ASSEMBLY
PF.1	- PLANK AND FRAMING PLAN
TA.1	- TRANSPORT KIT ASSEMBLY (1)
TA.2	- TRANSPORT KIT ASSEMBLY (2)
TA.3	- TRANSPORT KIT ASSEMBLY (ROWS 1-5)
TA.4	- TRANSPORT KIT ASSEMBLY (ROWS 6-10)
DS.1	- DETAIL SHEET



SECTION LENGTH	GROSS SEATS	ACTUAL SEATS	NO. OF ROWS	NET SEATS
24	16.00	16.00	1	16
7.5	5.00	5.00	9	45
12.5	8.33	8.00	9	72
NET SEATS				133
WHEELCHAIR SPACES				0
TOTAL NET SEATING CAPACITY				133
(BASED ON 18" PER SEAT)				

This drawing and all information contained herein is the property of NATIONAL RECREATION SYSTEMS, INC. and is not to be reproduced without express written permission of this manufacturer. We assume no responsibility for unauthorized use of this drawing. National Recreation Systems, Inc. is not responsible for local permits and occupancy requirements.

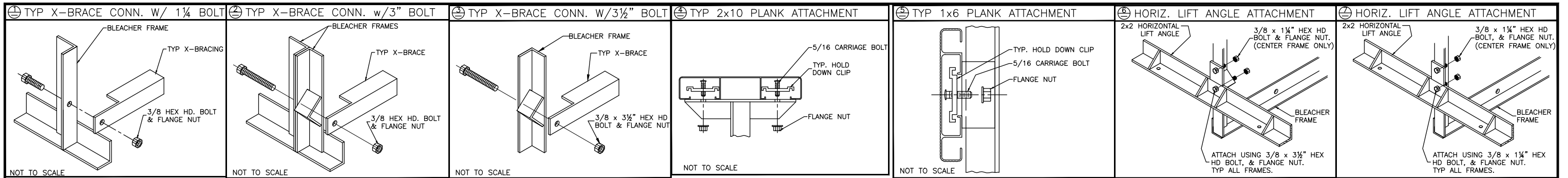
National Recreation Systems, Inc.		
1300-D NORTH AIRPORT OFFICE PARK FORT WAYNE, IN 46825		
SCALE: N.T.S.	APPROVED BY:	DRAWN BY: JML
DATE: 7/22/16		
TITLE: NON-ELEV. ALUM. 10 ROW X 24' TRANSPORTABLE		
BLEACHER MODEL #: NA-1024TPDLX/CL	DRAWING NUMBER: BS.1	



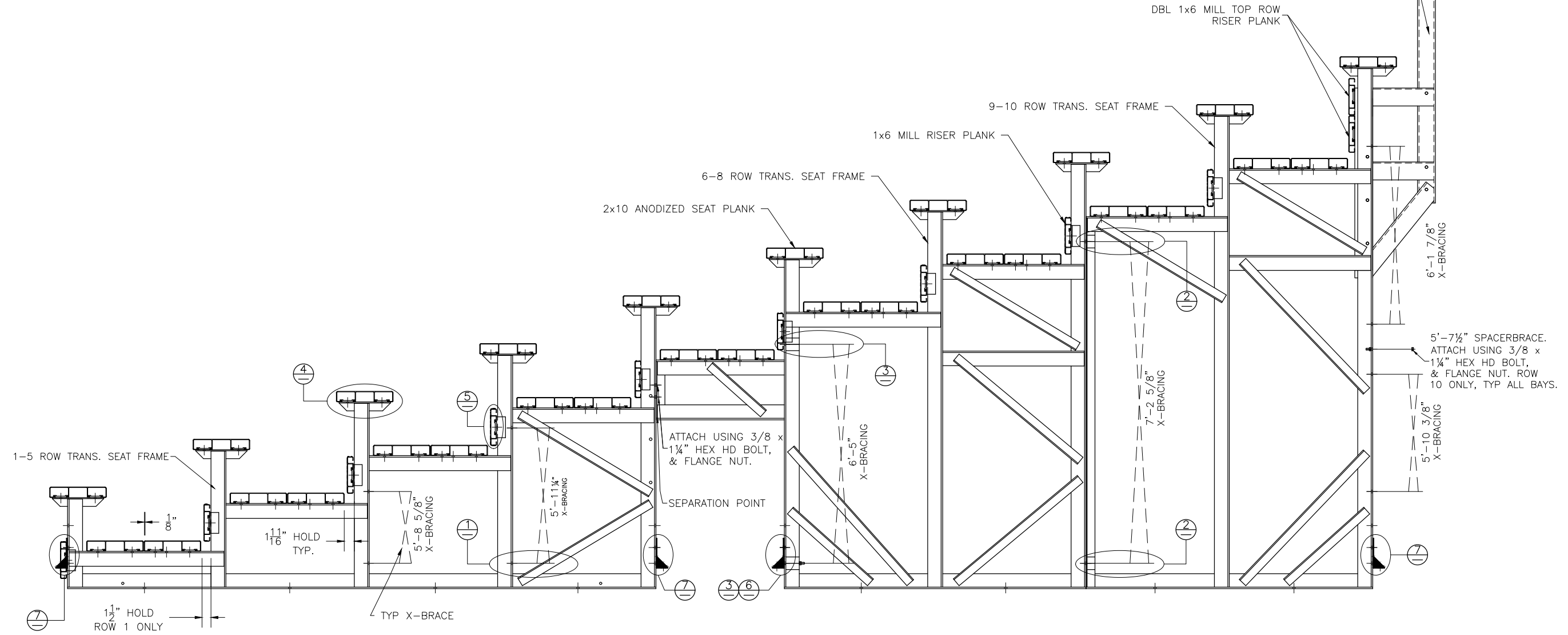
This drawing and all information contained herein is the property of NATIONAL RECREATION SYSTEMS, INC. and is not to be reproduced without express written permission of this manufacturer. We assume no responsibility for unauthorized use of this drawing. National Recreation Systems, Inc. is not responsible for local permits and occupancy requirements.

National Recreation Systems, Inc.
 1300-D NORTH AIRPORT OFFICE PARK FORT WAYNE, IN 46825

SCALE: N.T.S.	APPROVED BY:	DRAWN BY: JML
DATE: 7/22/16		
TITLE: ANCHORING PLAN		
BLEACHER MODEL #: NA-1024TPDLX/CL	DRAWING NUMBER: AP.1	



INSTALLATION NOTE: INSTALL REAR GUARDRAIL BRACKET BEFORE INSTALLING ROW 10 X-BRACING. IF THIS IS NOT DONE, THE INSTALLED X-BRACING WILL HAVE TO BE LOOSENED TO INSTALL REAR GUARDRAIL POST.



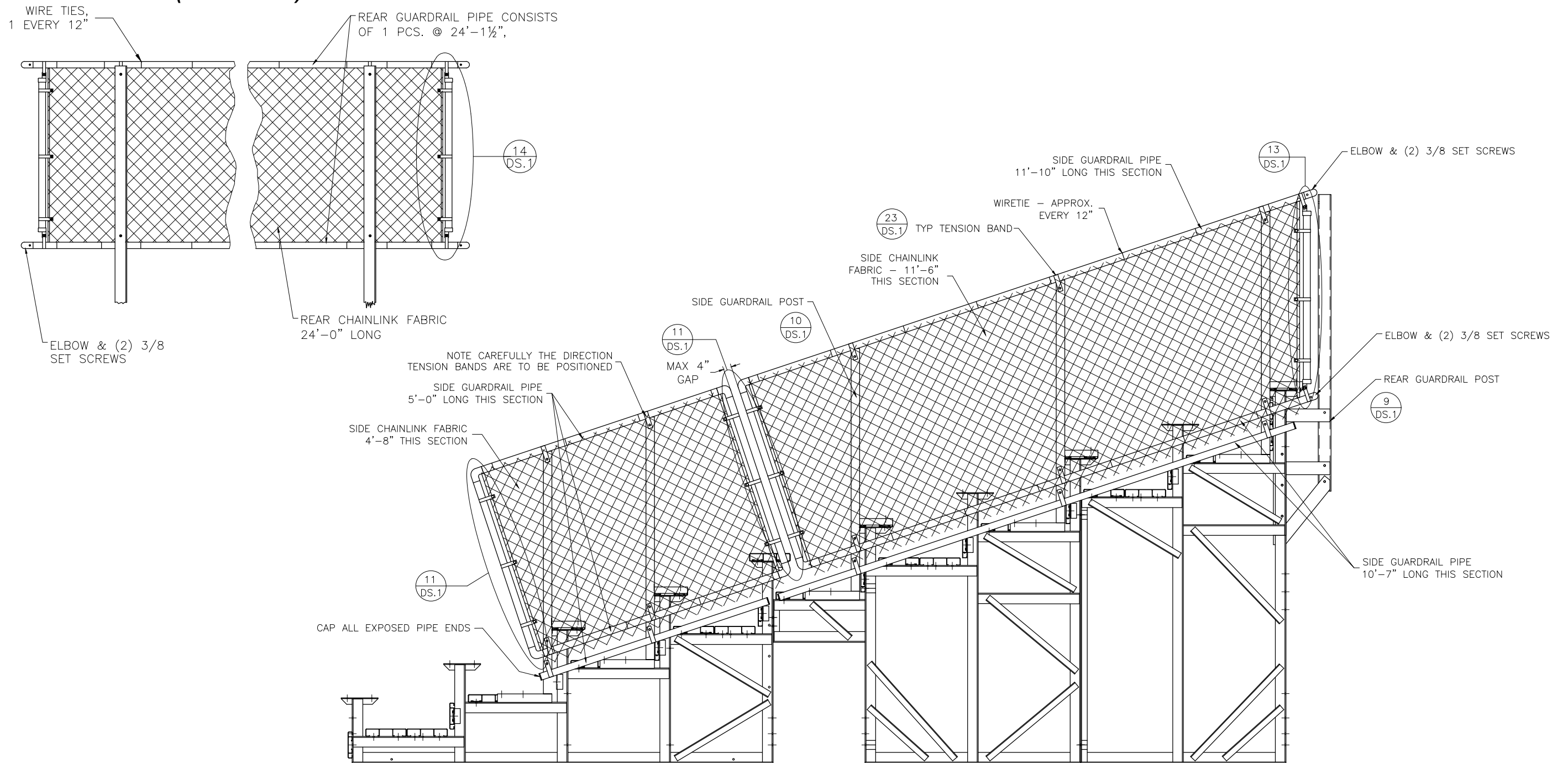
This drawing and all information contained herein is the property of NATIONAL RECREATION SYSTEMS, INC. and is not to be reproduced without express written permission of this manufacturer. We assume no responsibility for unauthorized use of this drawing. National Recreation Systems, Inc. is not responsible for local permits and occupancy requirements.

National Recreation Systems, Inc.
 1300-D NORTH AIRPORT OFFICE PARK FORT WAYNE, IN 46825

SCALE: N.T.S.	APPROVED BY:	DRAWN BY: JML
DATE: 01/13/15		
TITLE: BLEACHER ASSEMBLY		
BLEACHER MODEL #: NA-1024TPDLX/CL	DRAWING NUMBER: BA.1	

REAR GUARDRAIL

(REAR VIEW)



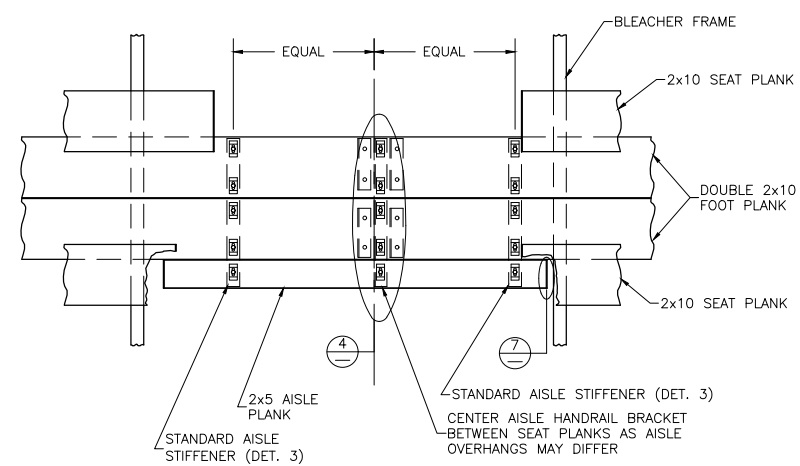
This drawing and all information contained herein is the property of NATIONAL RECREATION SYSTEMS, INC. and is not to be reproduced without express written permission of this manufacturer. We assume no responsibility for unauthorized use of this drawing. National Recreation Systems, Inc. is not responsible for local permits and occupancy requirements.

National Recreation Systems, Inc.

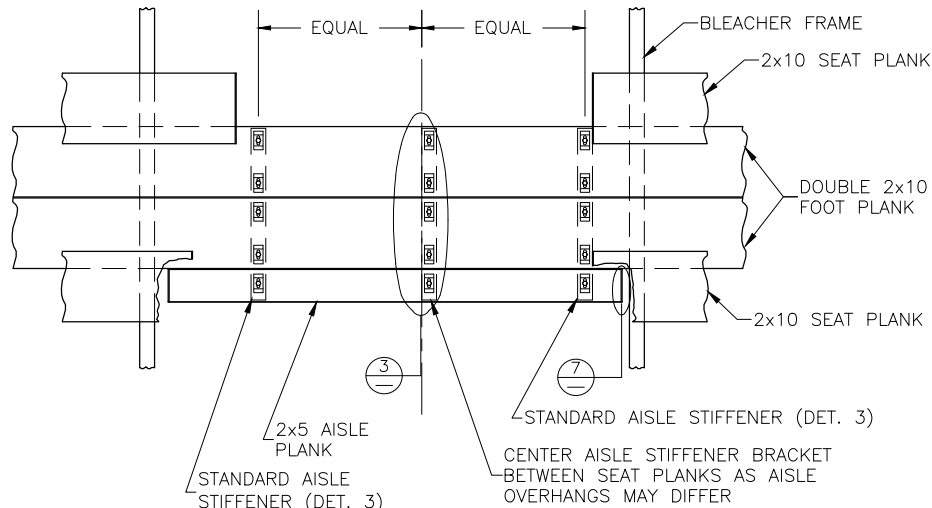
1300-D NORTH AIRPORT OFFICE PARK FORT WAYNE, IN 46825

SCALE: N.T.S.	APPROVED BY:	DRAWN BY: JML
DATE: 7/22/16		
TITLE: GUARD RAIL ASSEMBLY		
BLEACHER MODEL #: NA-1024TPDLX/CL	DRAWING NUMBER: GR.1	

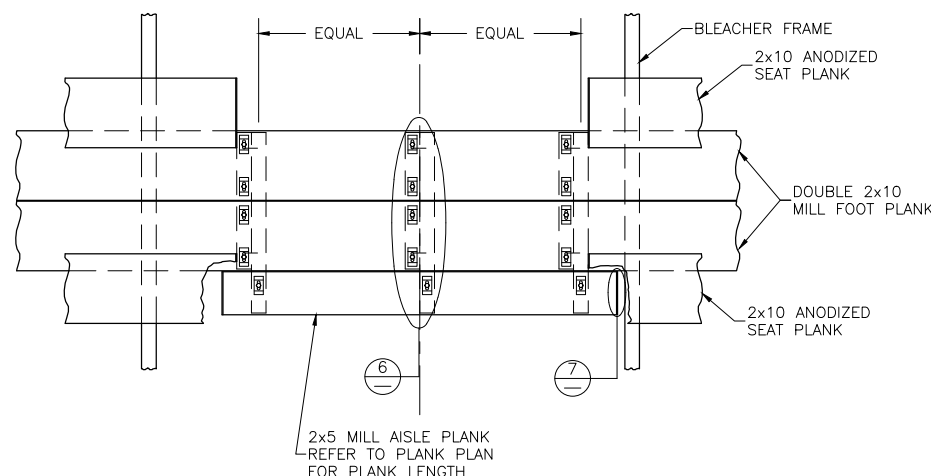
① ROWS 3,5, 7,9 AISLE STEP PLAN



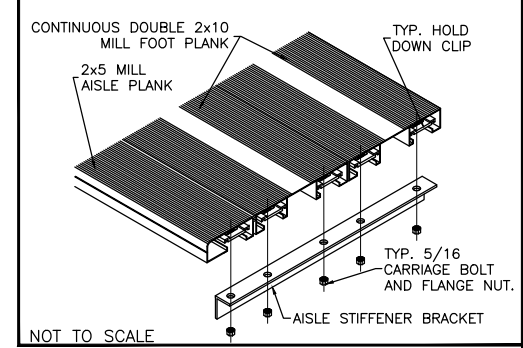
① ROWS 4, 8, 9 AISLE STEP PLAN



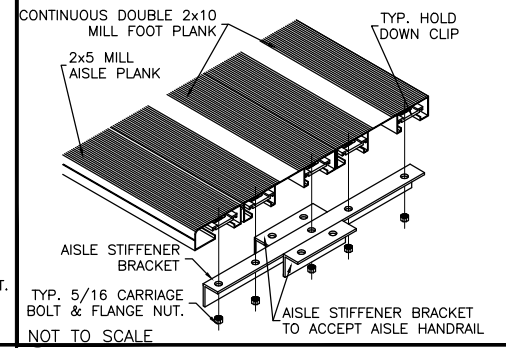
② ROW 6 AISLE STEP PLAN



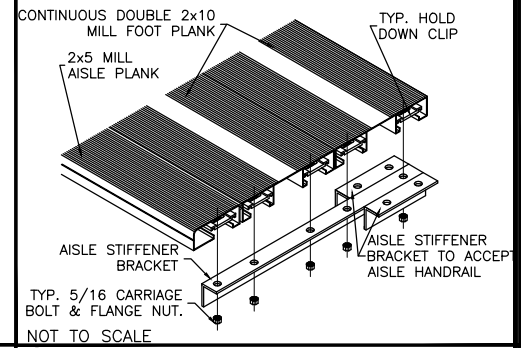
③ TYP. AISLE BKT DETAIL



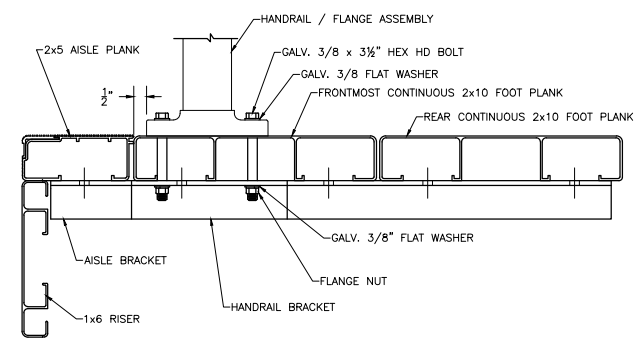
④ FRONT AISLE H.R. BRACKET DETAIL



⑤ REAR AISLE H.R. BRACKET DETAIL

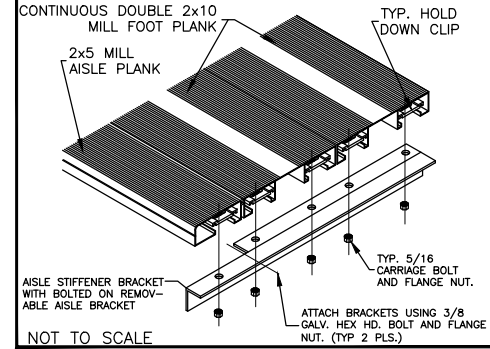


TYP AISLE HANDRAIL FLANGE ATTACHMENT DETAIL

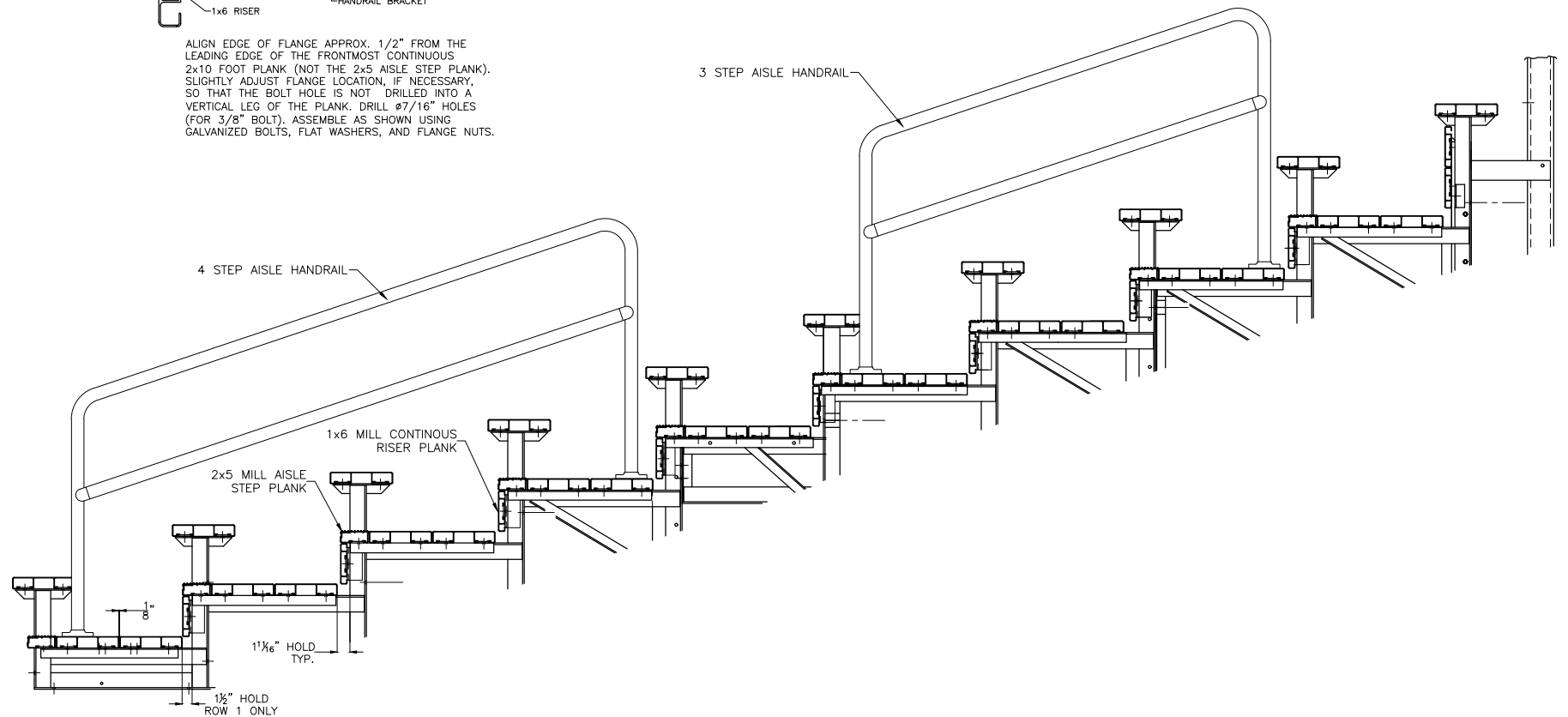
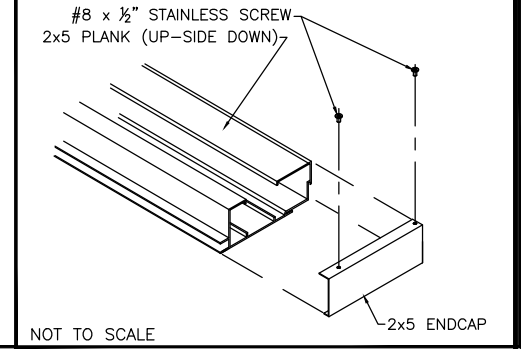


ALIGN EDGE OF FLANGE APPROX. 1/2" FROM THE LEADING EDGE OF THE FRONTMOST CONTINUOUS 2x10 FOOT PLANK (NOT THE 2x5 AISLE STEP PLANK). SLIGHTLY ADJUST FLANGE LOCATION, IF NECESSARY, SO THAT THE BOLT HOLE IS NOT DRILLED INTO A VERTICAL LEG OF THE PLANK. DRILL Ø7/16" HOLES (FOR 3/8" BOLT). ASSEMBLE AS SHOWN USING GALVANIZED BOLTS, FLAT WASHERS, AND FLANGE NUTS.

⑥ TYP. AISLE HANDRAIL BKT DETAIL



⑦ TYP 2x5 ENDCAP ATTACHMENT

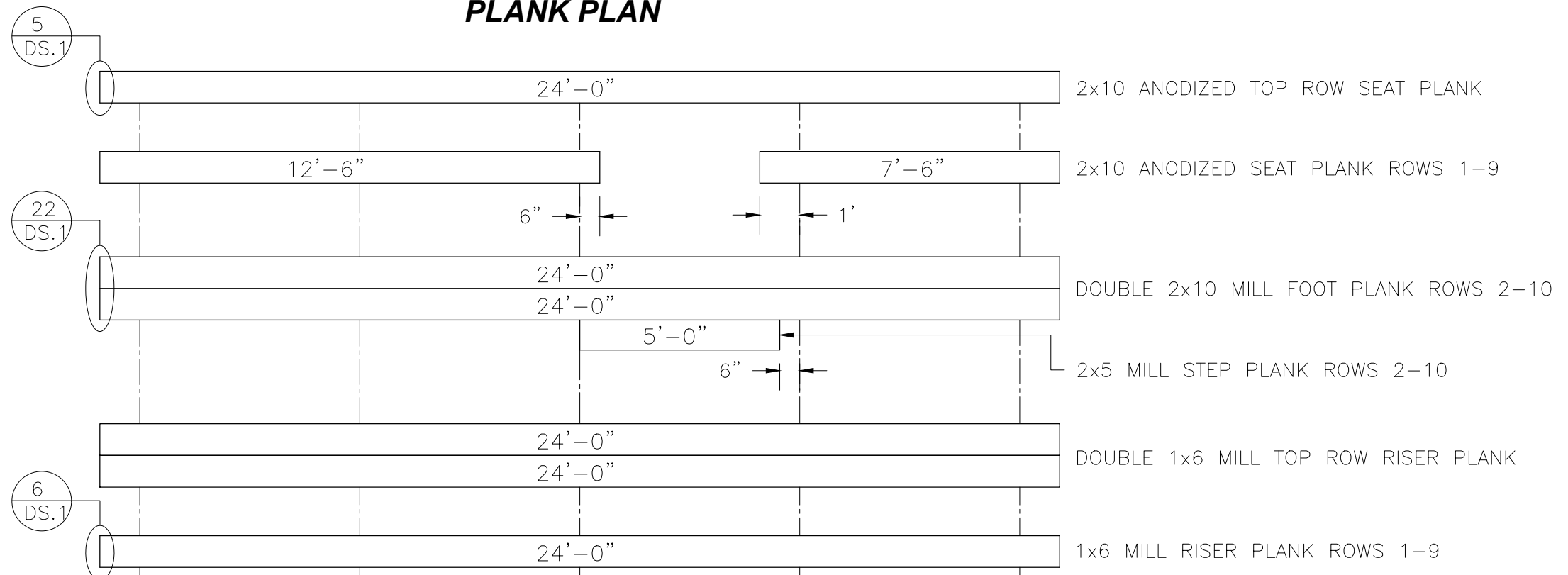


This drawing and all information contained herein is the property of NATIONAL RECREATION SYSTEMS, INC. and is not to be reproduced without express written permission of this manufacturer. We assume no responsibility for unauthorized use of this drawing. National Recreation Systems, Inc. is not responsible for local permits and occupancy requirements.

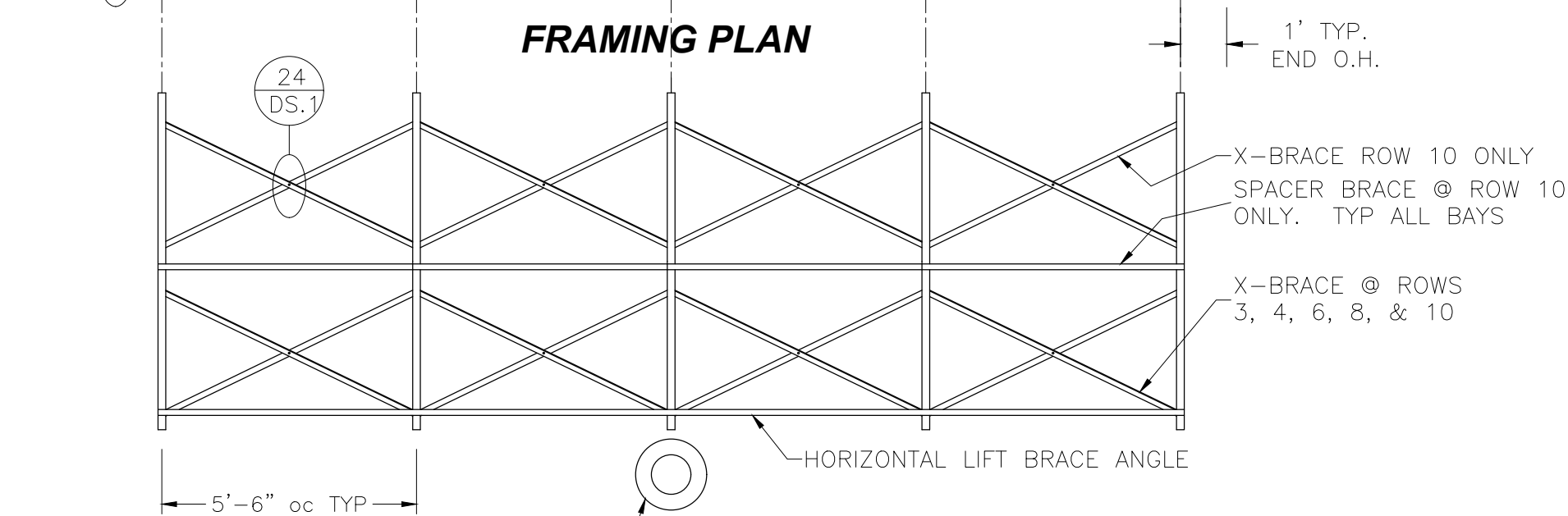
National Recreation Systems, Inc.
 1300-D NORTH AIRPORT OFFICE PARK FORT WAYNE, IN 46825

SCALE: N.T.S.	APPROVED BY:	DRAWN BY: JML
DATE: 7/22/16		
TITLE: VERTICAL AISLE ASSEMBLY		
BLEACHER MODEL #: NA-1024TPDLX/CL	DRAWING NUMBER: GR.1	

PLANK PLAN

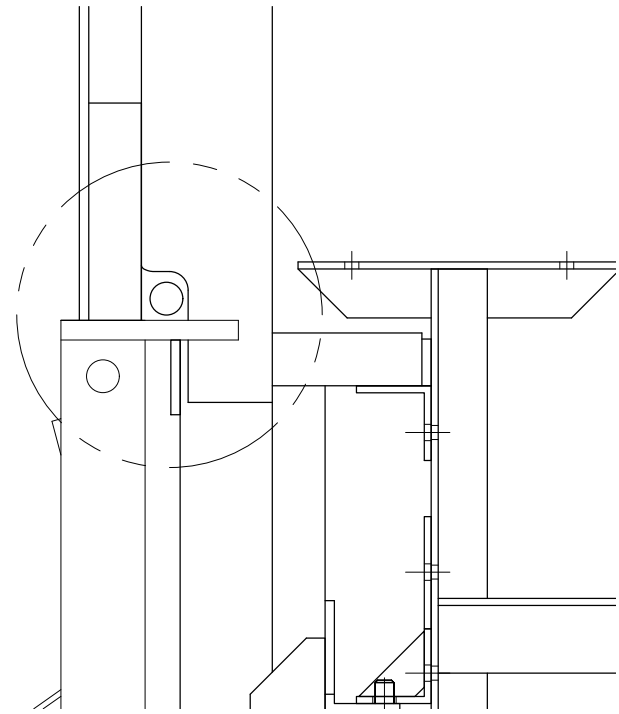


FRAMING PLAN

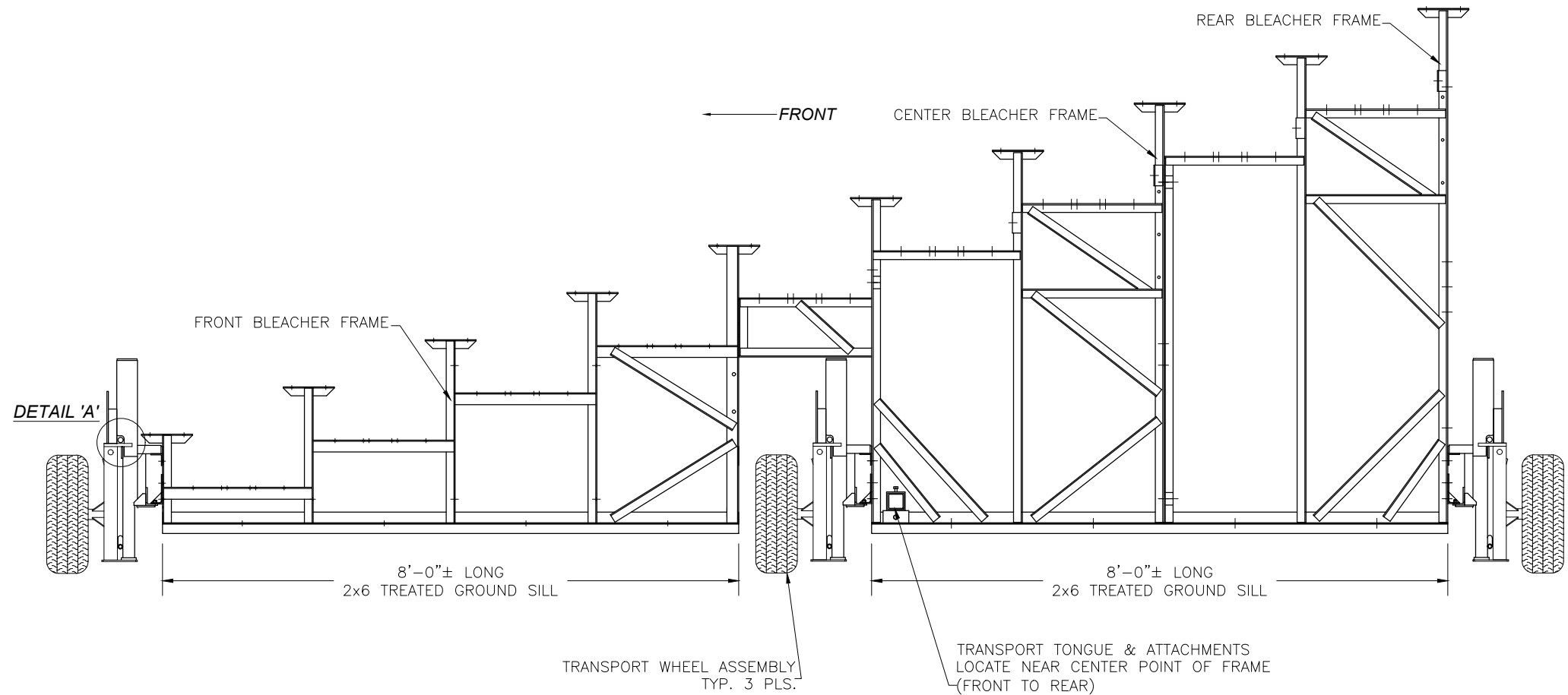


TRANSPORT KIT WHEEL LOCATION

This drawing and all information contained herein is the property of NATIONAL RECREATION SYSTEMS, INC. and is not to be reproduced without express written permission of this manufacturer. We assume no responsibility for unauthorized use of this drawing. National Recreation Systems, Inc. is not responsible for local permits and occupancy requirements.			National Recreation Systems, Inc. 1300-D NORTH AIRPORT OFFICE PARK FORT WAYNE, IN 46825		
SCALE: N.T.S.	APPROVED BY:	DRAWN BY: JML			
DATE: 7/22/16					
TITLE: VERTICAL ASILE ASSEMBLY					
BLEACHER MODEL #: NA-1024TPDLX/CL			DRAWING NUMBER: PF.1		



DETAIL "A"

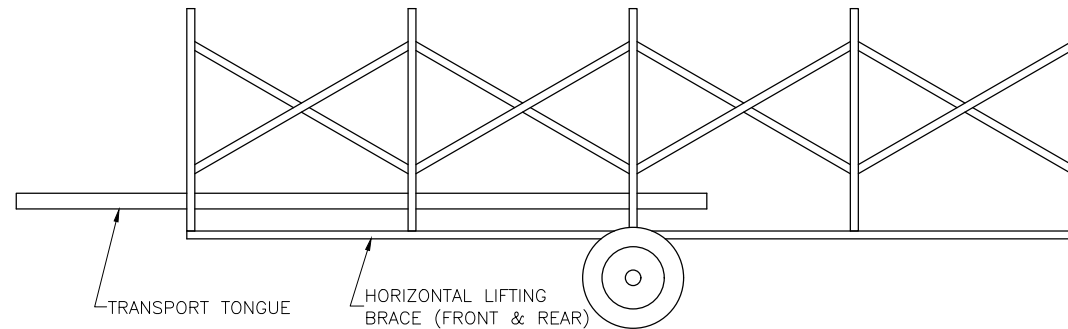


This drawing and all information contained herein is the property of NATIONAL RECREATION SYSTEMS, INC. and is not to be reproduced without express written permission of this manufacturer. We assume no responsibility for unauthorized use of this drawing. National Recreation Systems, Inc. is not responsible for local permits and occupancy requirements.

National Recreation Systems, Inc.
 1300-D NORTH AIRPORT OFFICE PARK FORT WAYNE, IN 46825

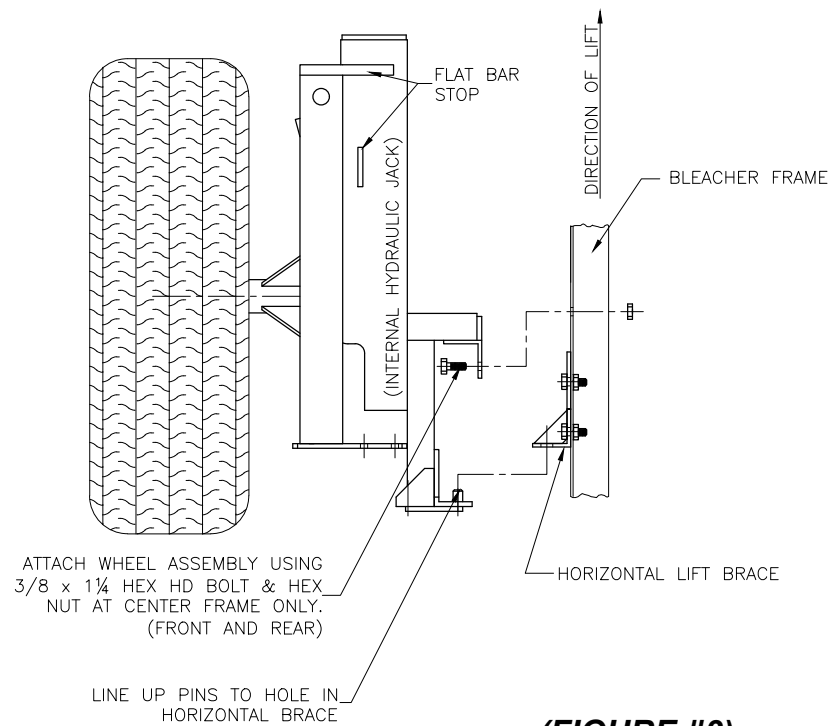
SCALE: N.T.S.	APPROVED BY:	DRAWN BY: JML
DATE: 7/22/16		
TITLE: TRANSPORT KIT ASSEMBLY		
BLEACHER MODEL #: NA-1024TPDLX/CL	DRAWING NUMBER: TA.1	

WHEEL LOCATION



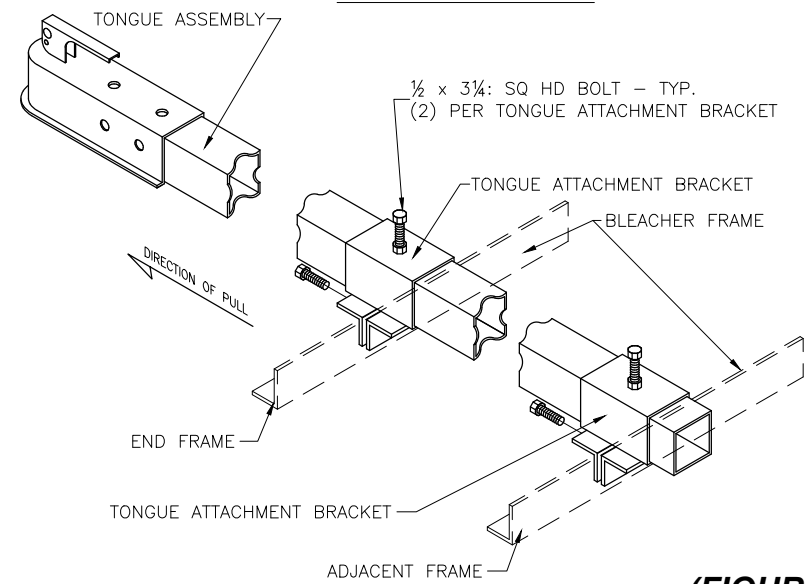
(FIGURE #2)

TRANSPORT WHEEL ASSEMBLY



(FIGURE #3)

TONGUE ASSEMBLY



(FIGURE #1)

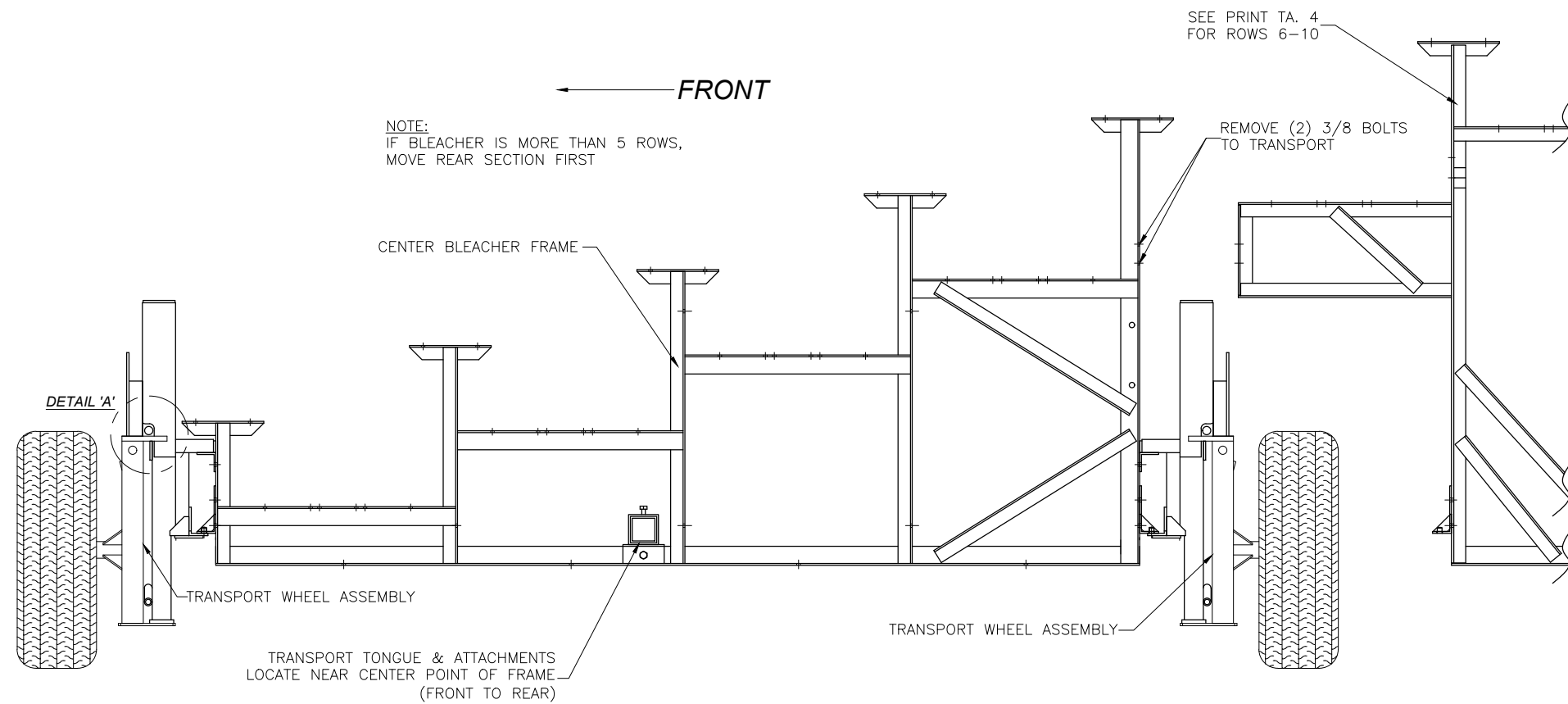
This drawing and all information contained herein is the property of NATIONAL RECREATION SYSTEMS, INC. and is not to be reproduced without express written permission of this manufacturer. We assume no responsibility for unauthorized use of this drawing. National Recreation Systems, Inc. is not responsible for local permits and occupancy requirements.

National Recreation Systems, Inc.

1300-D NORTH AIRPORT OFFICE PARK FORT WAYNE, IN 46825

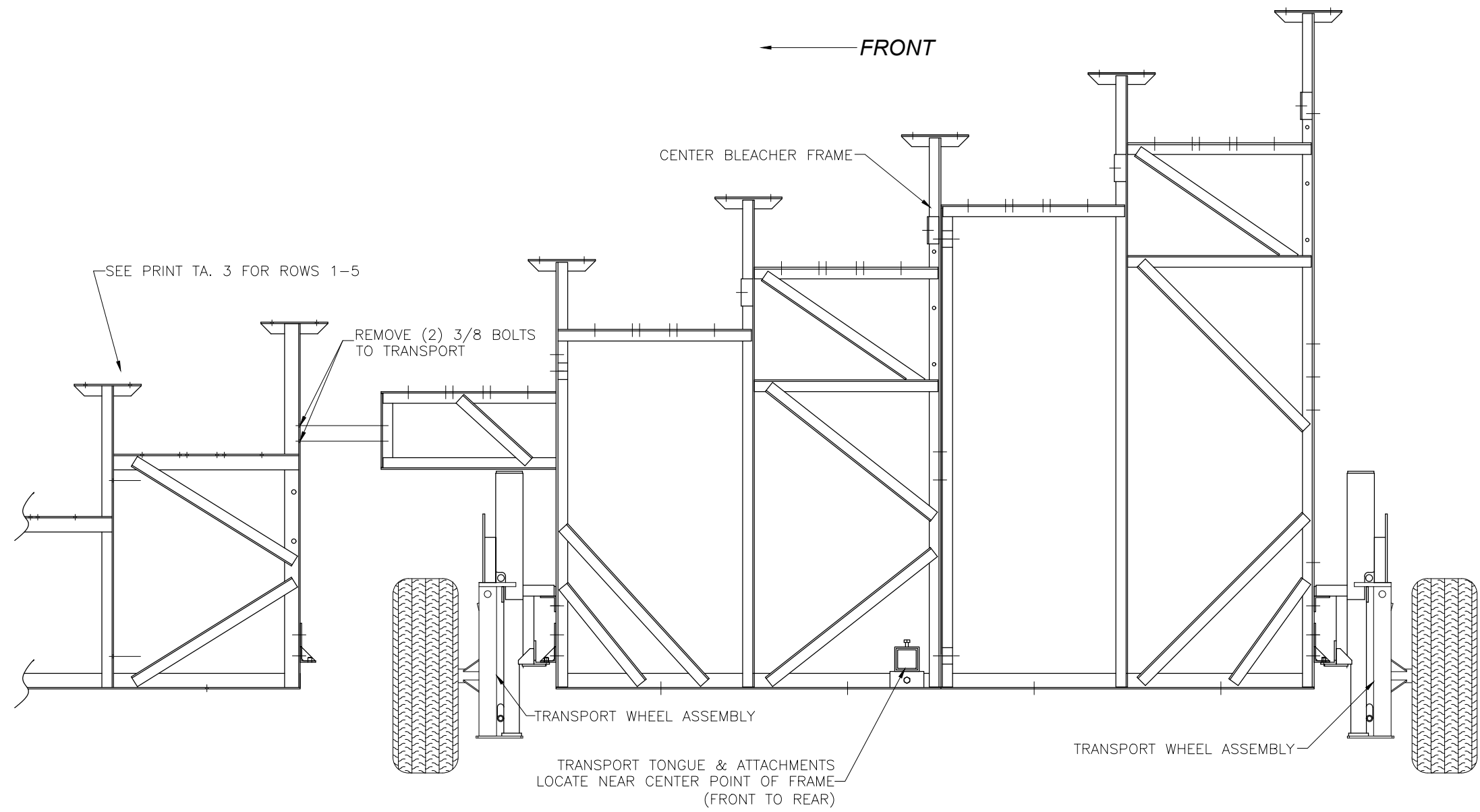
SCALE: N.T.S.	APPROVED BY:	DRAWN BY: JML
DATE: 7/22/16		
TITLE: TRANSPORT KIT ASSEMBLY		
BLEACHER MODEL #: NA-1024TPDLX/CL	DRAWING NUMBER: TA.2	

ROWS 1-5



<p>This drawing and all information contained herein is the property of NATIONAL RECREATION SYSTEMS, INC. and is not to be reproduced without express written permission of this manufacturer. We assume no responsibility for unauthorized use of this drawing. National Recreation Systems, Inc. is not responsible for local permits and occupancy requirements.</p>			<p>National Recreation Systems, Inc. 1300-D NORTH AIRPORT OFFICE PARK FORT WAYNE, IN 46825</p>		
SCALE:	N.T.S.	APPROVED BY:	DRAWN BY: JML		
DATE:	7/22/16				
TITLE:	TRANSPORT KIT ASSEMBLY (ROWS 1-5)				
BLEACHER MODEL #:	NA-1024TPDLX/CL	DRAWING NUMBER:			TA.3

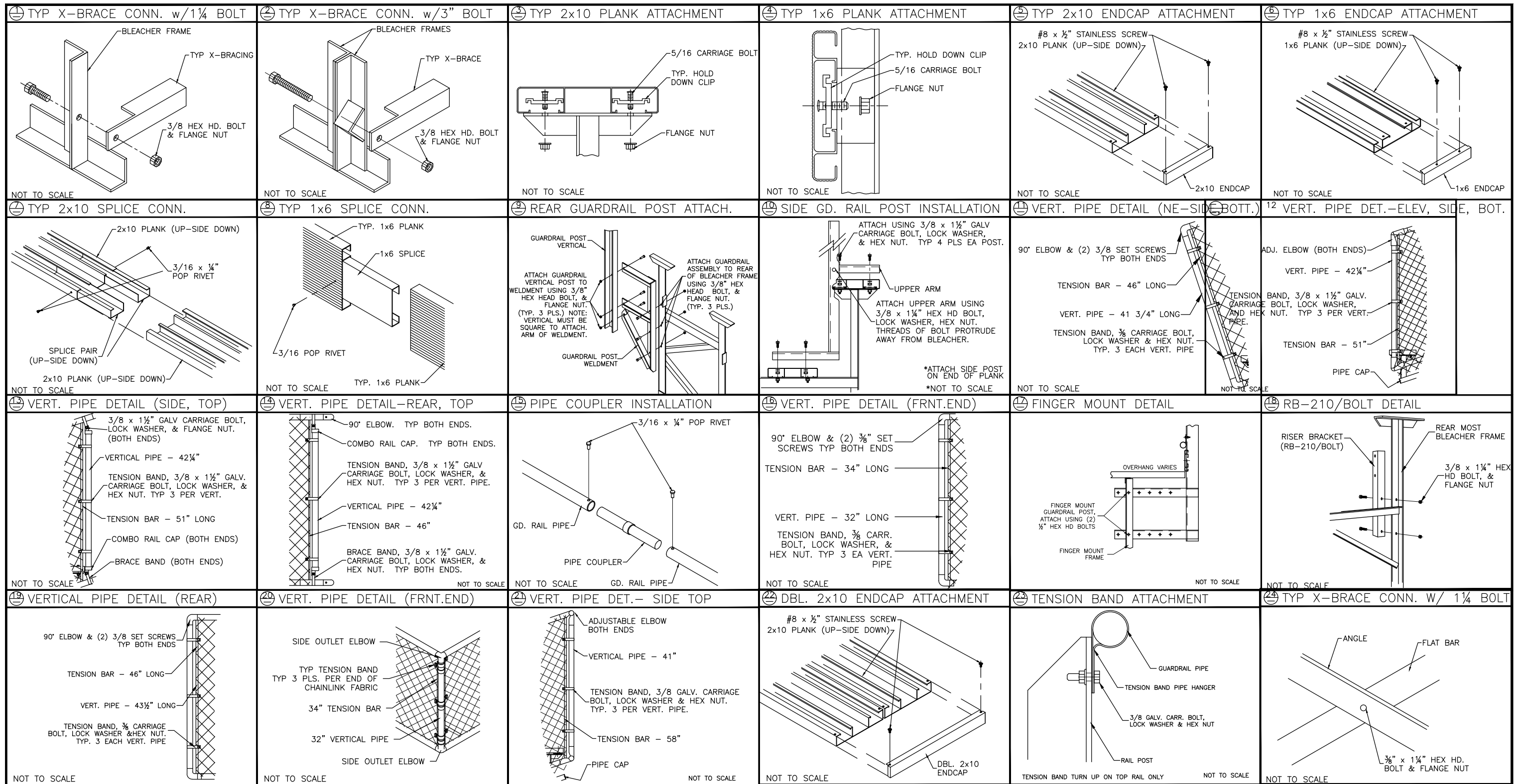
ROWS 6-10



This drawing and all information contained herein is the property of NATIONAL RECREATION SYSTEMS, INC. and is not to be reproduced without express written permission of this manufacturer. We assume no responsibility for unauthorized use of this drawing. National Recreation Systems, Inc. is not responsible for local permits and occupancy requirements.

National Recreation Systems, Inc.
 1300-D NORTH AIRPORT OFFICE PARK FORT WAYNE, IN 46825

SCALE: N.T.S.	APPROVED BY:	DRAWN BY: JML
DATE: 7/22/16		
TITLE: TRANSPORT KIT ASSEMBLY (ROWS 6-10)		
BLEACHER MODEL #: NA-1024TPDLX/CL	DRAWING NUMBER: TA.4	



This drawing and all information contained herein is the property of NATIONAL RECREATION SYSTEMS, INC. and is not to be reproduced without express written permission of this manufacturer. We assume no responsibility for unauthorized use of this drawing. National Recreation Systems, Inc. is not responsible for local permits and occupancy requirements.

National Recreation Systems, Inc.
 1300-D NORTH AIRPORT OFFICE PARK FORT WAYNE, IN 46825

SCALE: N.T.S.	APPROVED BY:	DRAWN BY: JML
DATE: 7/22/16		
TITLE: DETAIL SHEET		
BLEACHER MODEL #: NA-1024TPDLX/CL	DRAWING NUMBER: DS.5	