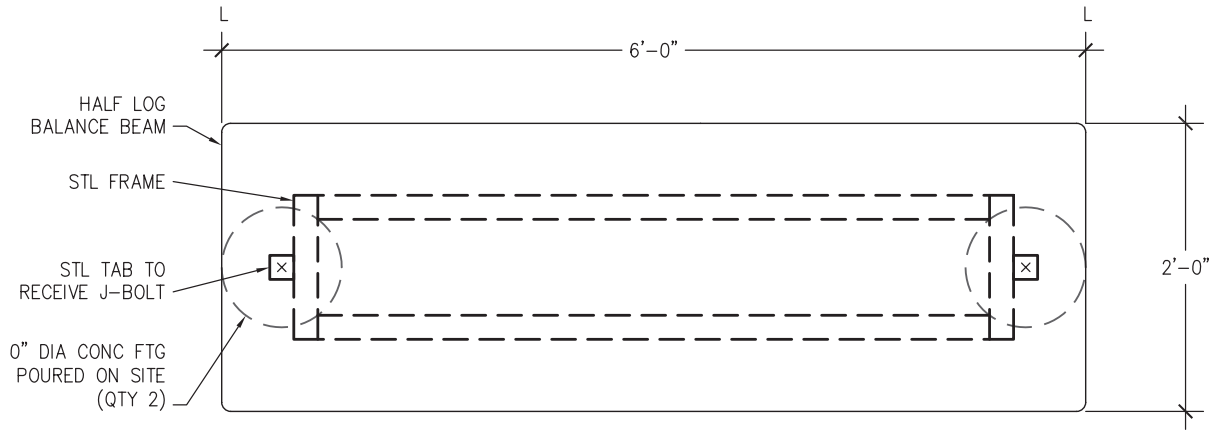
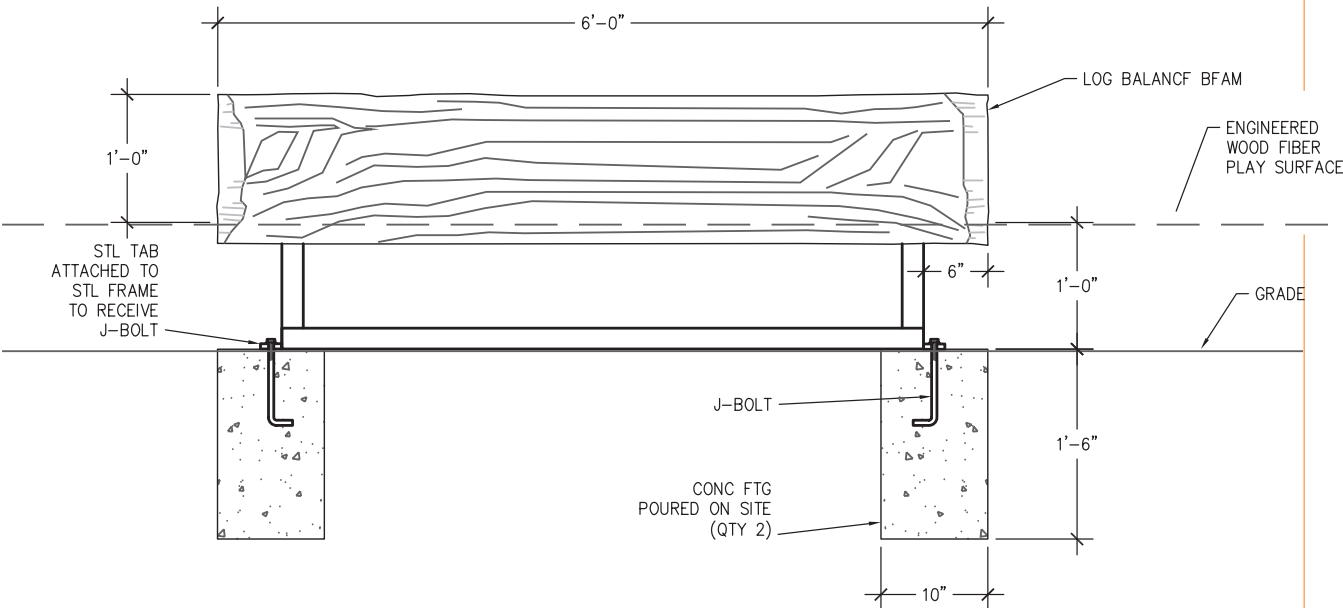


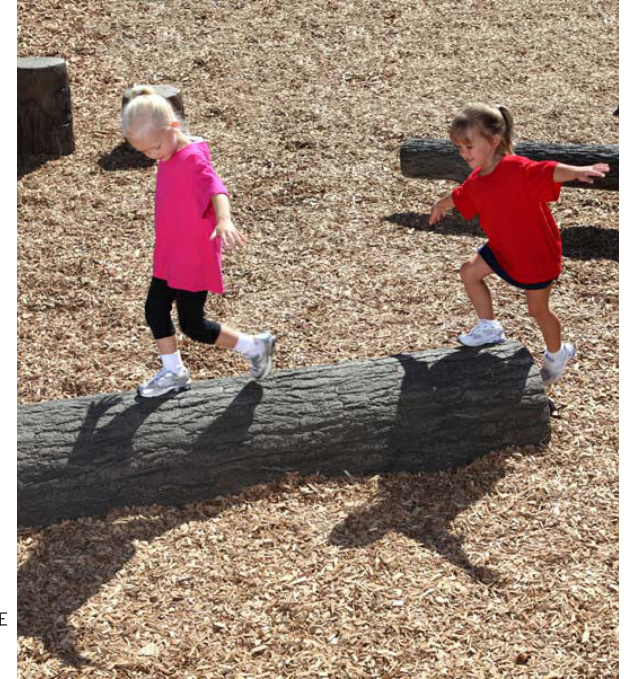
PLAN



ELEVATION



6' Half Log Balance Beam 6HL



NatureROCKS™
A boulder way to play!™

ultraPLAY®

A PLAYCORE Company

INSTALLATION INSTRUCTIONS

Tools Required:

- Skidster *or* Fork Lift Truck
- Shovel /Auger
- 2 Nylon lifting straps, minimum 8' length
Note: Rated for 2,500 lbs. minimum
- Concrete
Note: Rated for 2,500 psi minimum

Weight: 500 lbs. per Half Log Balance Beam

Step 1: Thoroughly inspect all pieces before unloading for damages incurred during shipping.

Step 2: Establish layout of Half Log Balance Beam and dig footing holes.

Step 3: Either use straps in 2 locations or just blades of fork lift to move the piece. Use foam packing material to cushion and prevent damage. Carefully place Half Log Balance Beam so that it is centered on footing holes.

Step 4: Attach J-bolts to steel tabs at the base of the feature. Make sure J-bolts are centered in footing holes. Fill footing holes with concrete.

Step 5: Once concrete has hardened, remove all remaining packaging materials and inspect piece for blemishes. Use included touch-up kit as needed.

GENERAL NOTES

- Due to variables in local soil conditions, footing sizes may vary to meet local codes.
- Actual on-site conditions may vary and may require modifications to installation method.
- Use care and caution while handling play pieces. Make sure all points of contact are protected from lifting straps or other machinery that may damage the piece.
- Bracing materials may be required during installation.

NatureROCKS™
A boulder way to play!™

ultraPLAY®

A PLAYCORE Company