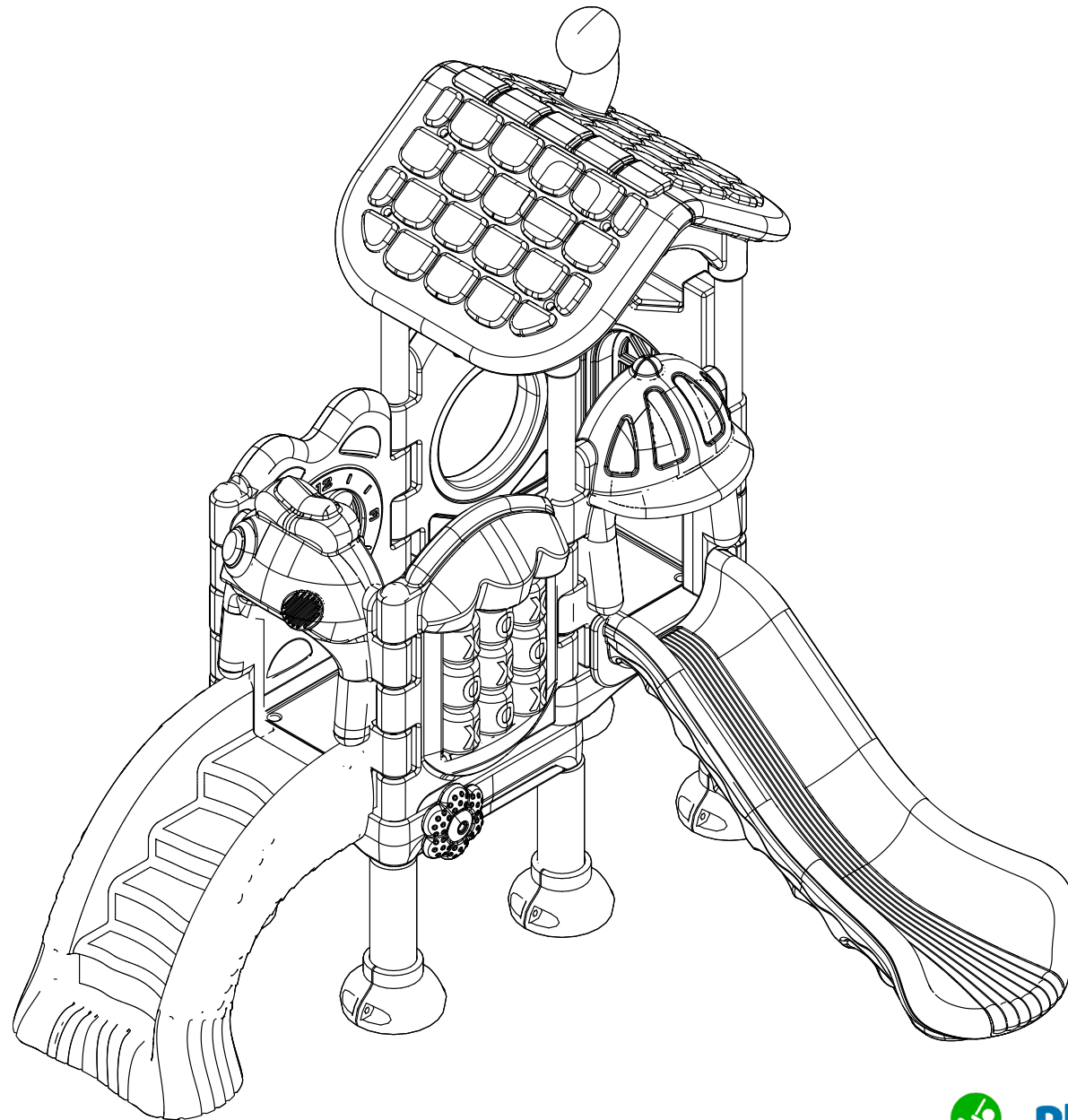
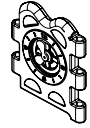
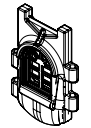

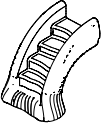


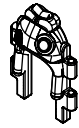


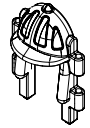

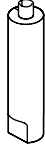



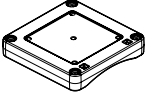


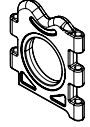


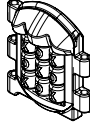





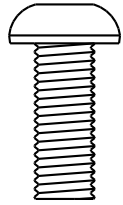
Raindrop Imagination Station

PCE001

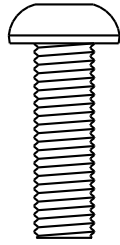


Clock Panel	Qty: 1		Window Panel	Qty: 1		Post Top: 90cm	Qty: 1	
Fish Stair	Qty: 1		Chimney Roof	Qty: 1		Post Top: 142cm	Qty: 4	
Fish Stair Panel	Qty: 1		Bongos	Qty: 1		Post Sleeve Base: 64cm	Qty: 4	
Hard Hat Panel	Qty: 1		Rain Wheel	Qty: 1		Post Sleeve Base: 83cm	Qty: 2	
Single Slide	Qty: 1		Slide Mount	Qty: 1		Post Sleeve Top: 19cm	Qty: 1	
Platform	Qty: 2		Mount Cover	Qty: 6		Post Sleeve Top: 55cm	Qty: 1	
See Through Panel	Qty: 1		Post Base	Qty: 2		Post Sleeve Top: 73cm	Qty: 1	
Tic Tac Toe Panel	Qty: 1		Post Base	Qty: 4		Post Cap	Qty: 2	
			Post Top: 89cm	Qty: 1				

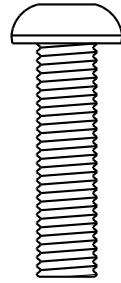
M8*20mm



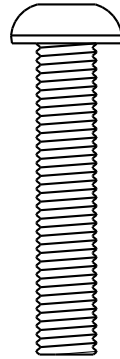
M8*25mm



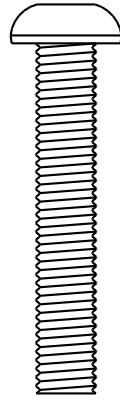
M8*30mm



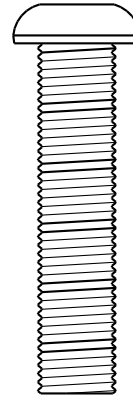
M8*40mm



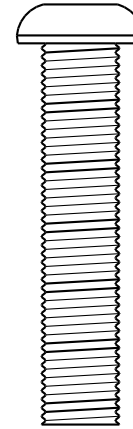
M8*45mm



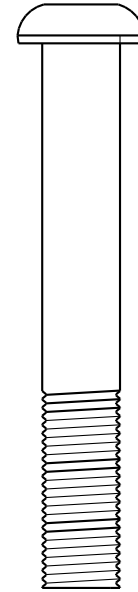
M10*45mm



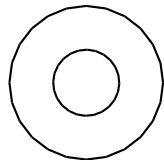
M8*49mm



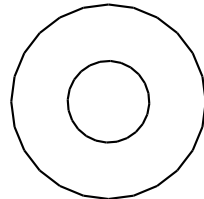
M8*70mm



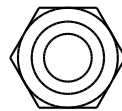
M8 Washer



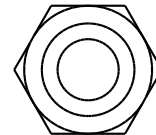
M10 Washer



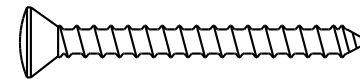
M8 Lock Nut



M10 Lock Nut



Self Tapping Screw



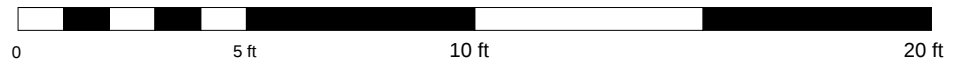
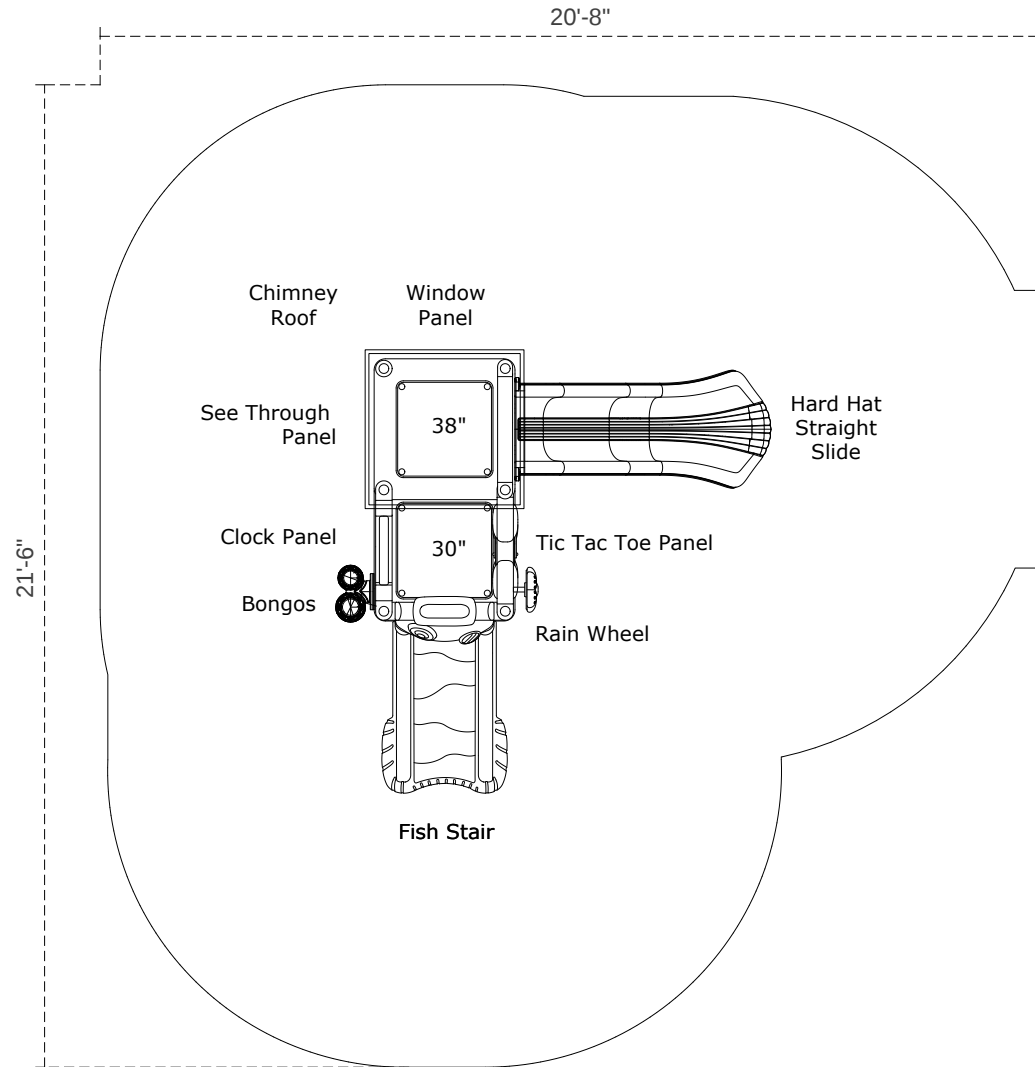
Material Specifications:

Posts - Aluminium

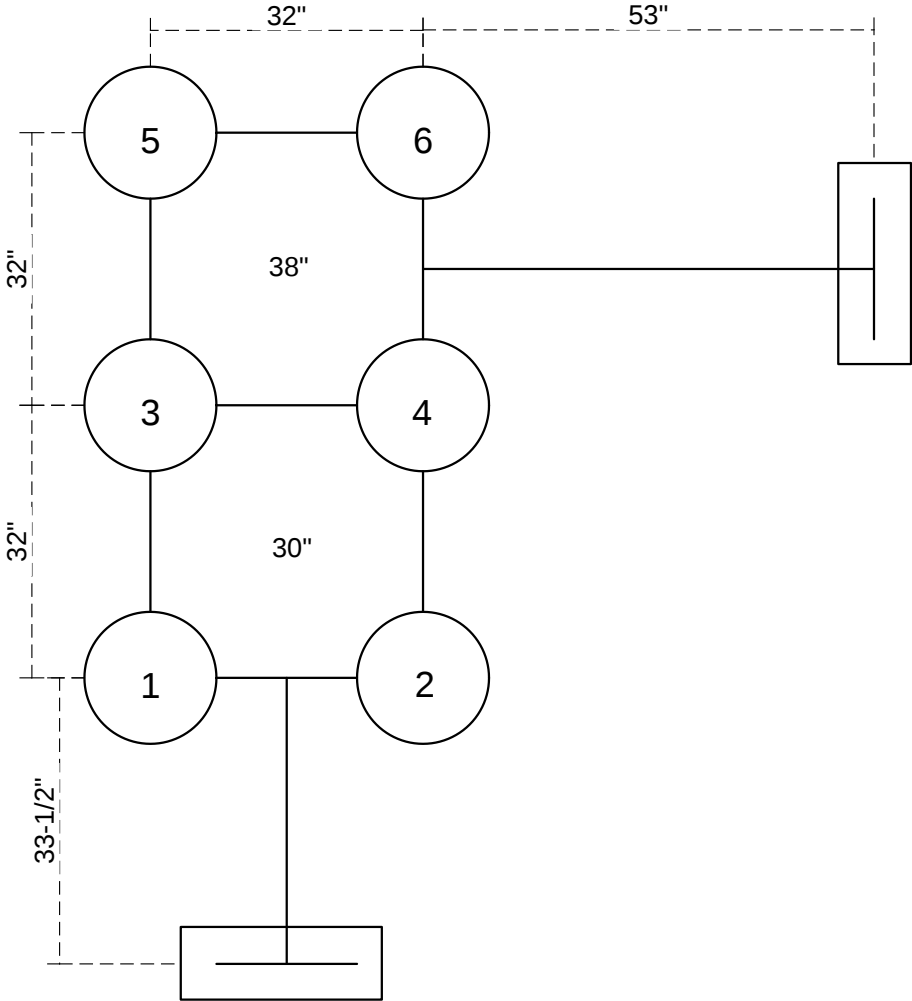
Plastics - Low Density Polyethylene, Rotational and Blow Molding

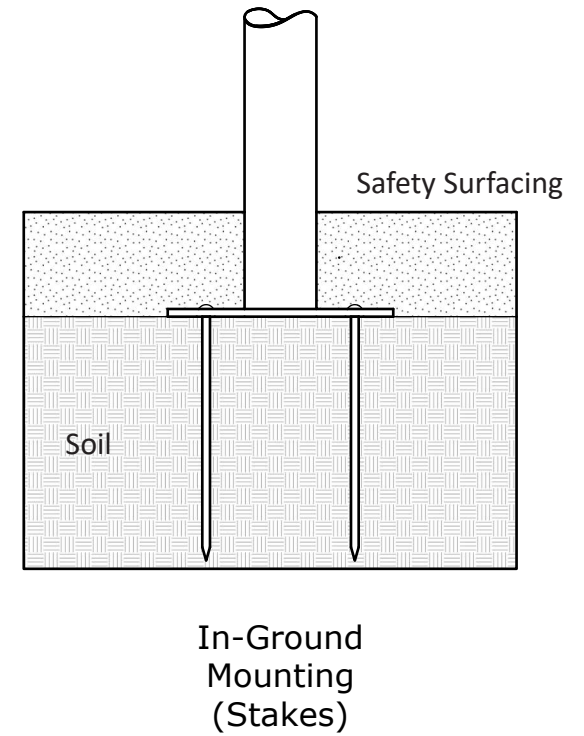
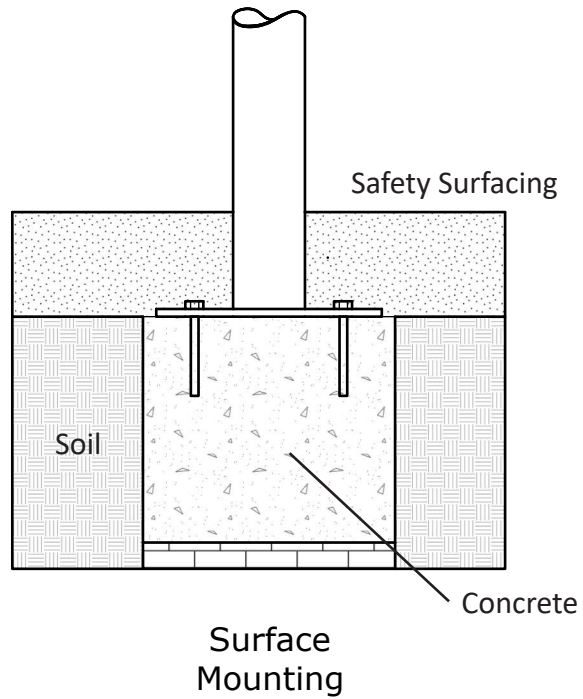
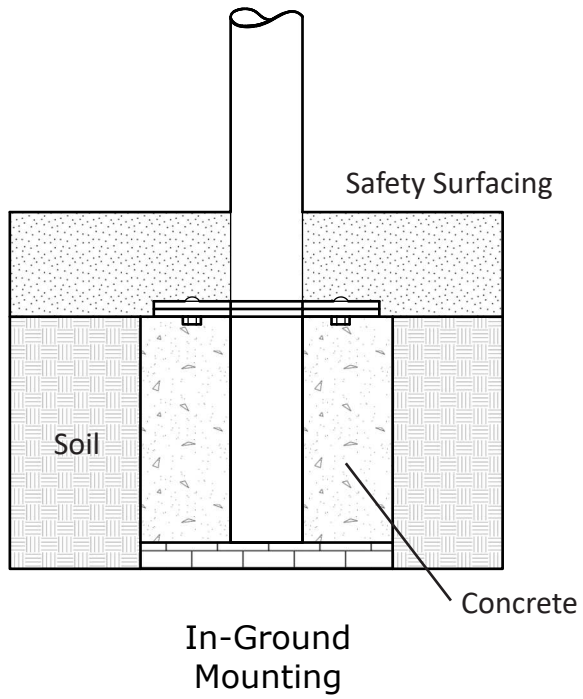
Hardware - Stainless Steel

Overhead Layout and Use Zone



Footing Layout





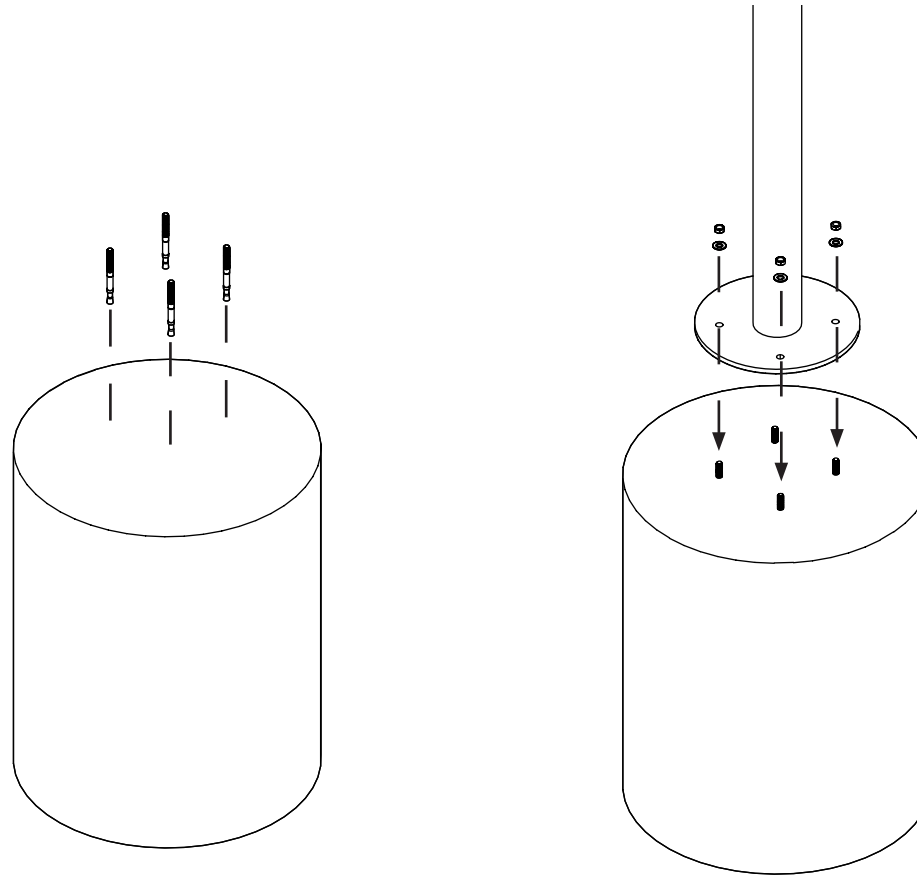
Standard Mounting Option

The standard base mounting option is surface mount.

To surface mount the Imagination Station, select a suitable mounting surface. This is usually a pre-existing concrete slab of at least 4" of thickness large enough to accommodate the equipment, or custom poured footings 12" diameter x 18" depth for each post.

Using the post base as a template, mark and drill the concrete to install the concrete anchors. Once the anchors are inserted, place the post over the anchors and tighten down.

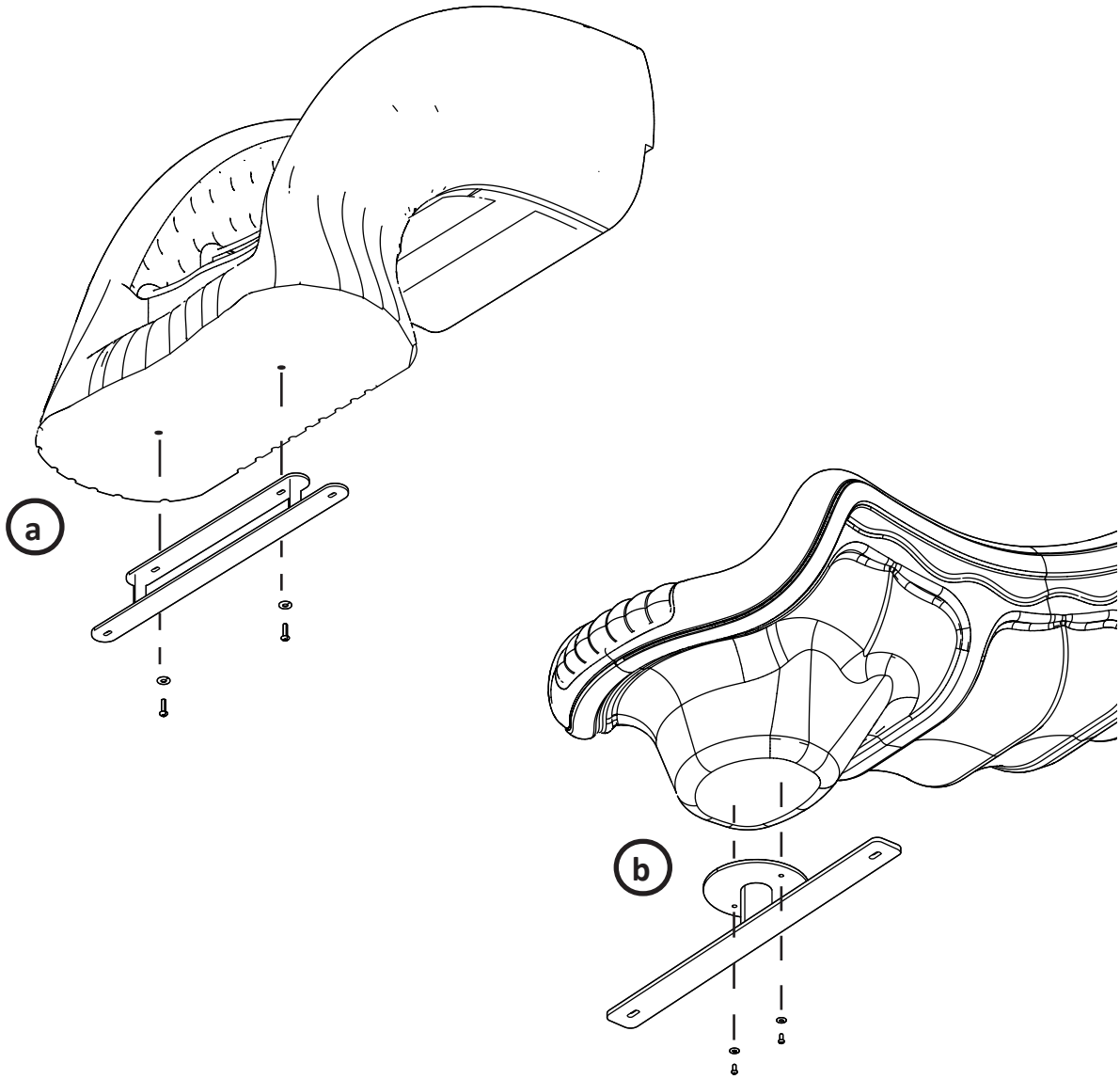
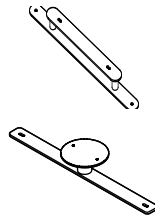
Concrete Anchors Not Included.
Specific instructions for the concrete anchors may vary, and it is recommended to follow the instructions provided by the anchor manufacturer.



Premium Surface Mount Kit
(Sold Separately)

Fish Stair Mount Qty: 1

Slide End Mount Qty: 1



a Attach the Fish Stair Mount using two (2) M8*20mm Bolts and two (2) M8 Washers.

b Attach the Slide End mount to the underside of the Slide using two (2) M8*20mm Bolts and two (2) M8 Washers.

To surface mount the Imagination Station, select a suitable mounting surface. This is usually a pre-existing concrete slab of at least 4" of thickness large enough to accommodate the equipment, or custom poured footings 12" diameter x 18" depth for each post.

Concrete Anchors Not Included.
Specific instructions for the concrete anchors may vary, and it is recommended to follow the instructions provided by the anchor manufacturer.

In-Ground Mounting Kit
(Sold Separately)

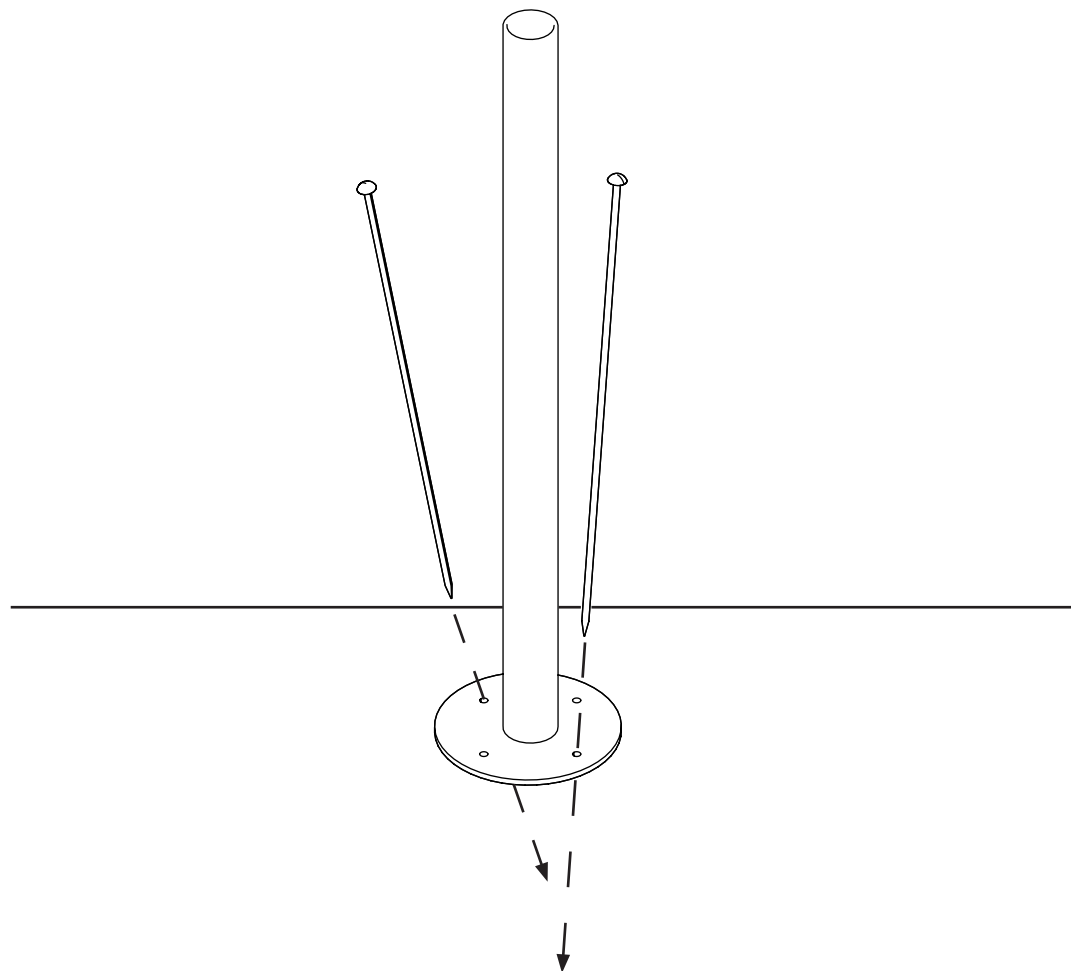
Mounting Stake

Qty: 12

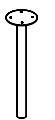
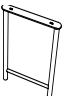
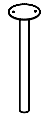


The Mounting Stakes are used to mount the Imagination Station in an a grass or soil heavy area without the need to dig and pour concrete footings.

Hammer two of the Mounting Stakes into the ground for each of the main posts. Be sure to install the stakes at varying angles to help prevent them from loosening over time.



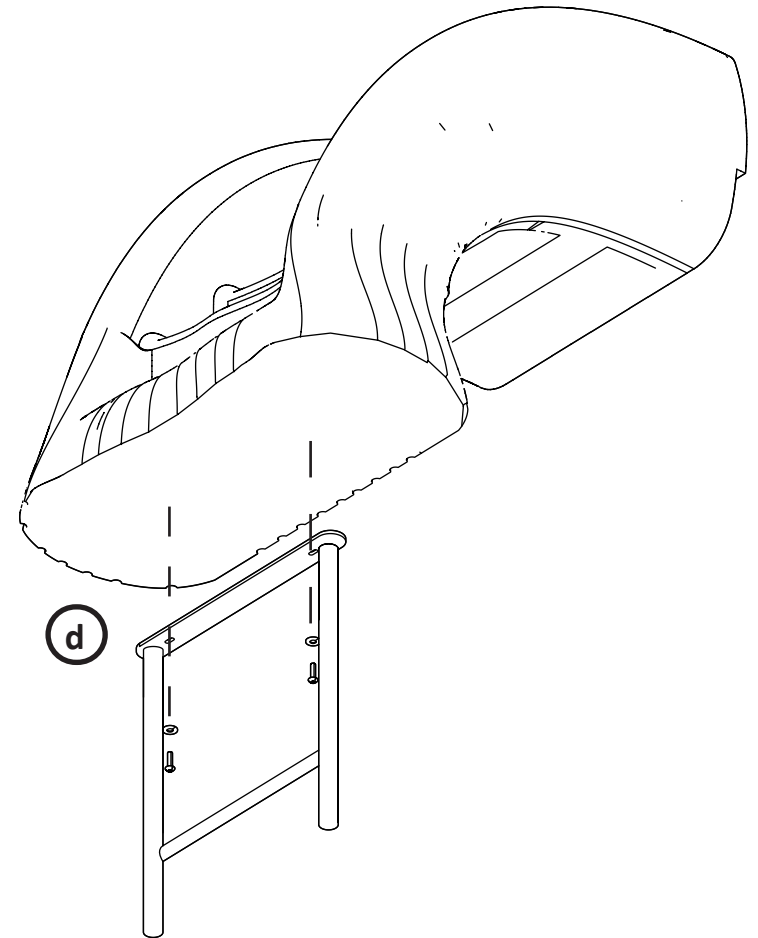
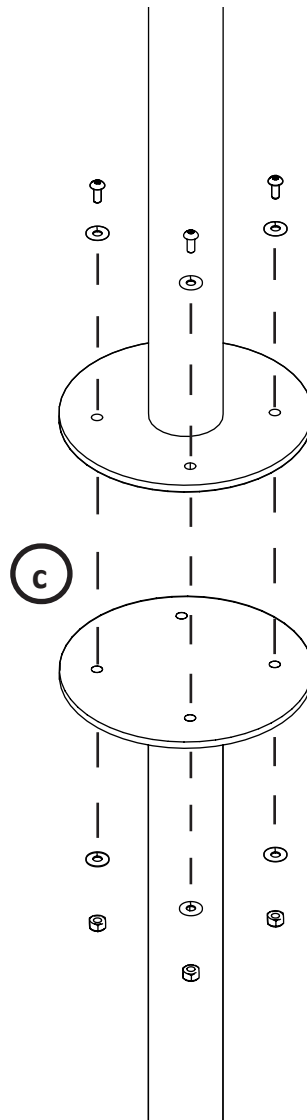
Premium In-Ground Mounting Kit
(Sold Separately)

Post Mounts	Qty: 6	
Fish Stair Mount	Qty:1	
Slide End Mount	Qty:1	

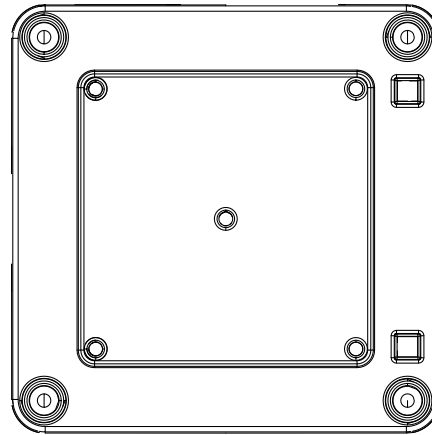
c Attach the Post Mounts to the base of the main posts using four (4) M10*25mm Bolts, eight (8) M10 Washers, and four (4) M10 Lock Nuts

d Attach the Fish Stair Mount to the bottom of the Fish Stair using two (2) M8*20mm Bolts and two (2) M8 Washers.

Dig 12" diameter x 18" depth holes for the footings. Place the equipment with attached in-ground mounts into the holes and secure in place using ropes or straps. Pour concrete and let cure.

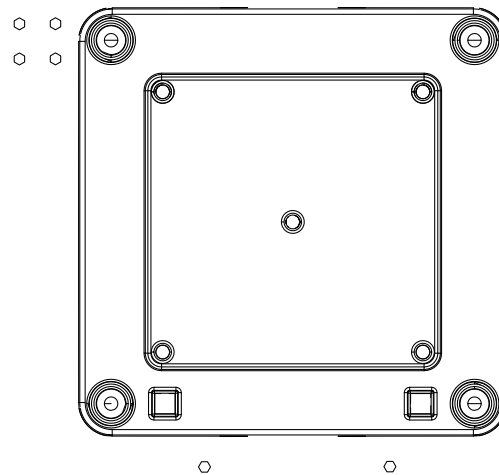


Platform Layout Diagram



Threaded Inserts for
Single Slide

Threaded Inserts for
Bongos



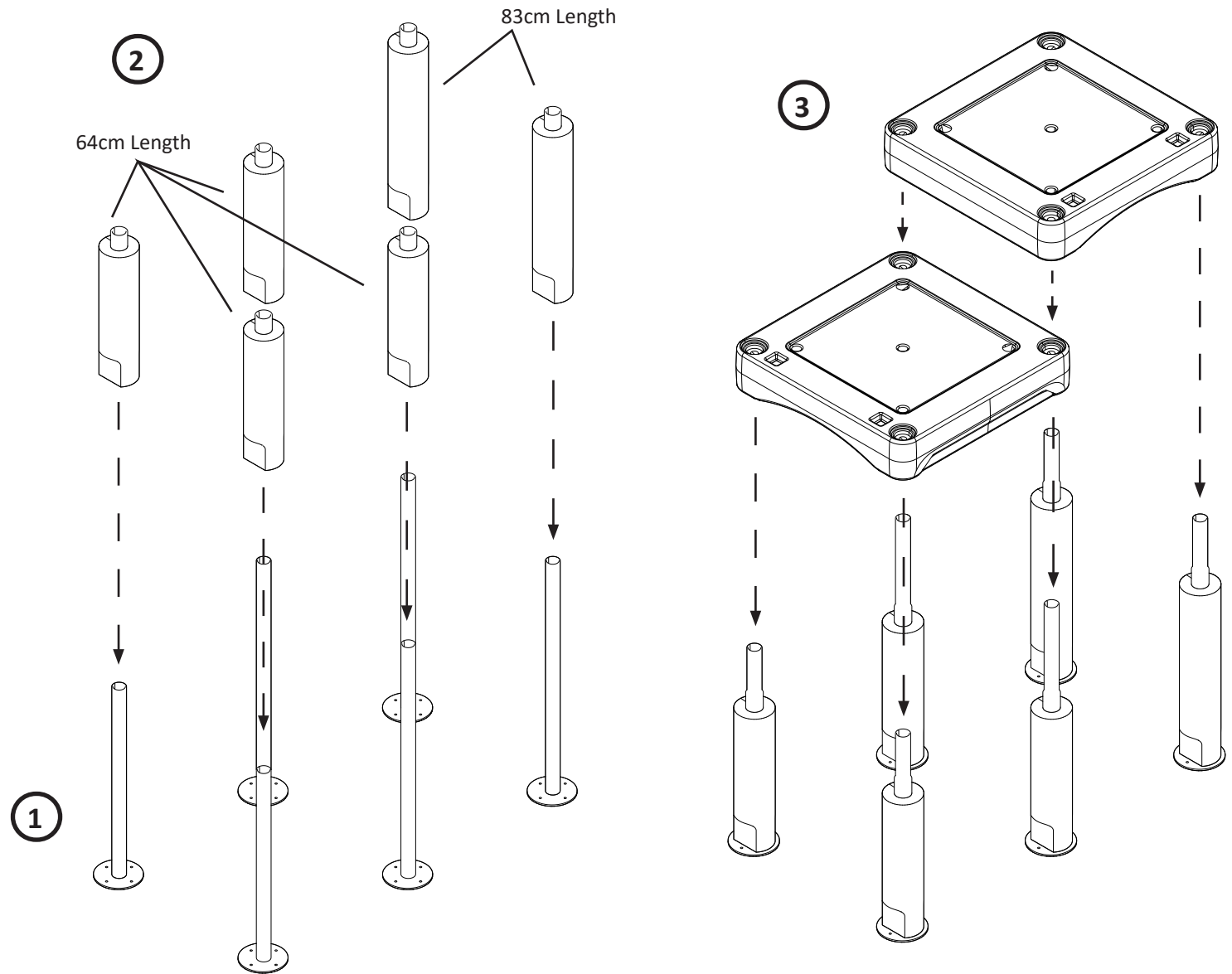
Threaded Inserts for
Rain Wheel

Threaded Inserts for
Fish Stairs

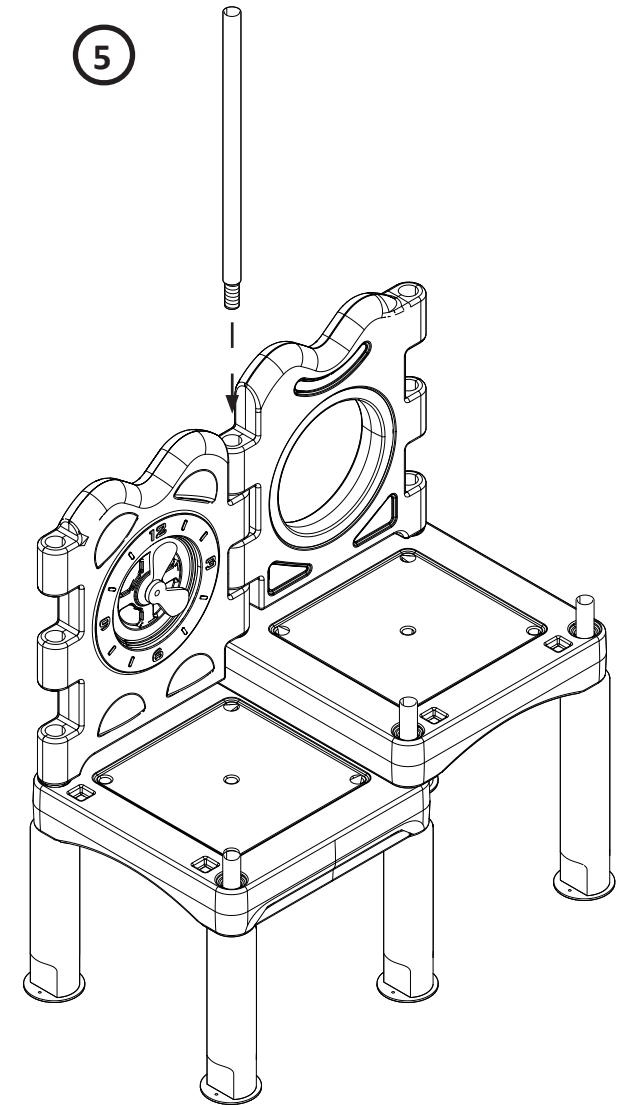
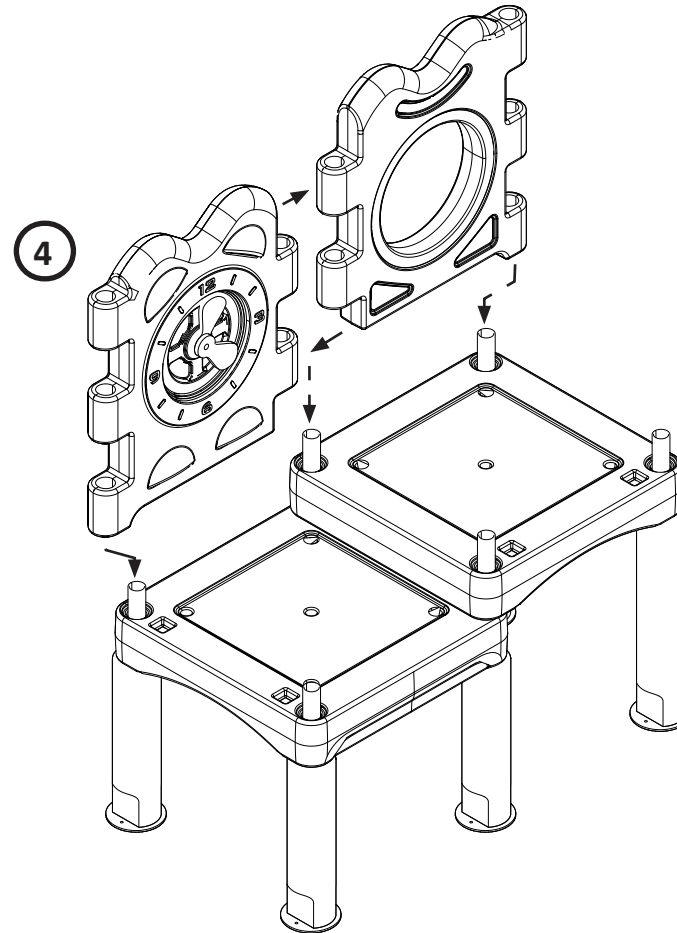
- 1 Set out the Post Bases and arrange them according to the measurements shown in the footing diagram.

- 2 Install the Post Sleeve Bases by sliding them down onto the Post Bases. There are two different lengths of sleeve, so be cautious for correct placement.

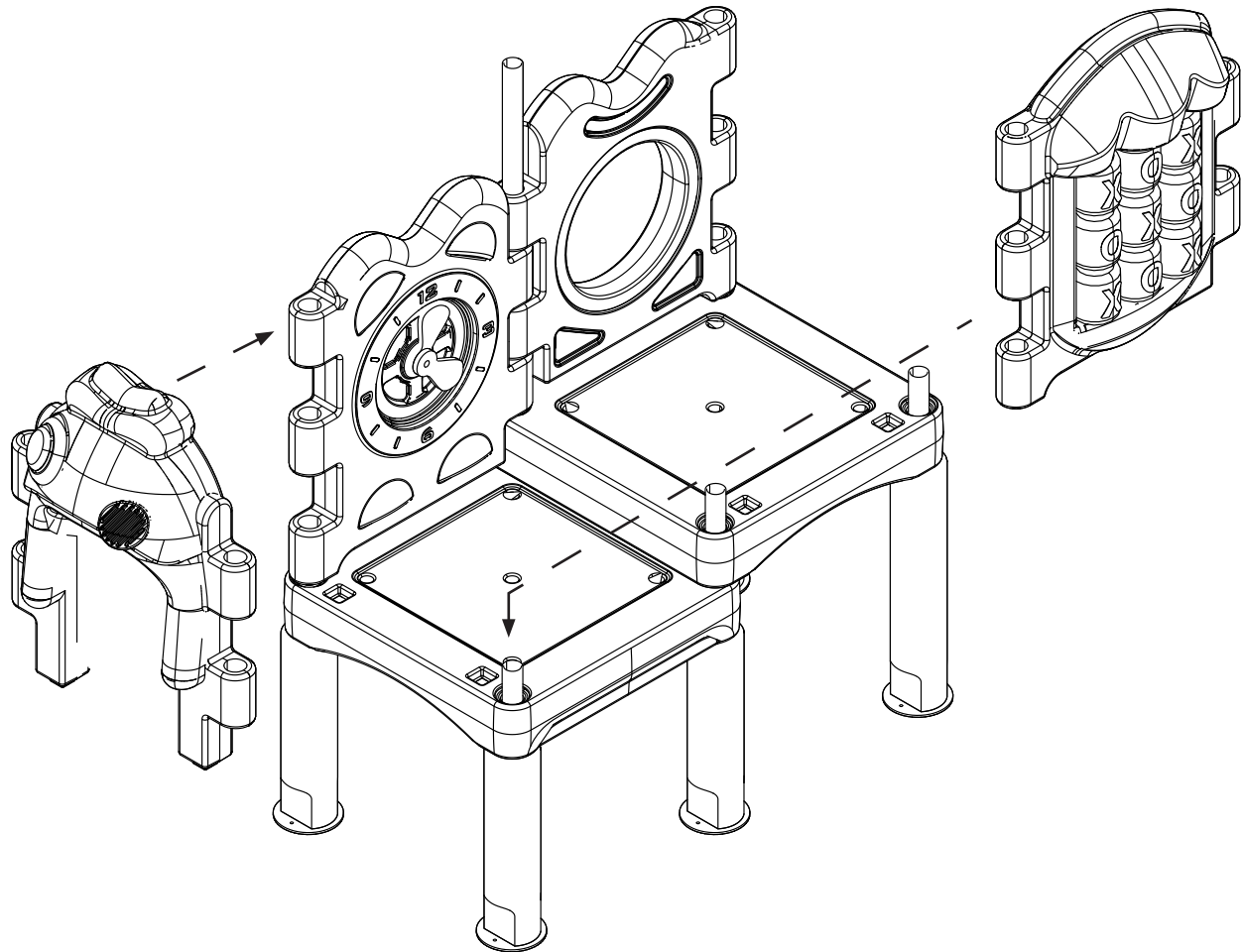
- 3 Install the Platforms by sliding them down over the tops of the Post Bases.



- 4 Place the See Through and Clock Panels into place by sliding them over the protruding ends of the Post Bases.
- 5 Install the Post Top by sliding it down through the overlapping sections of the See Through and Clock Panels. Turn the Post Top to thread and tighten into the Post Base.

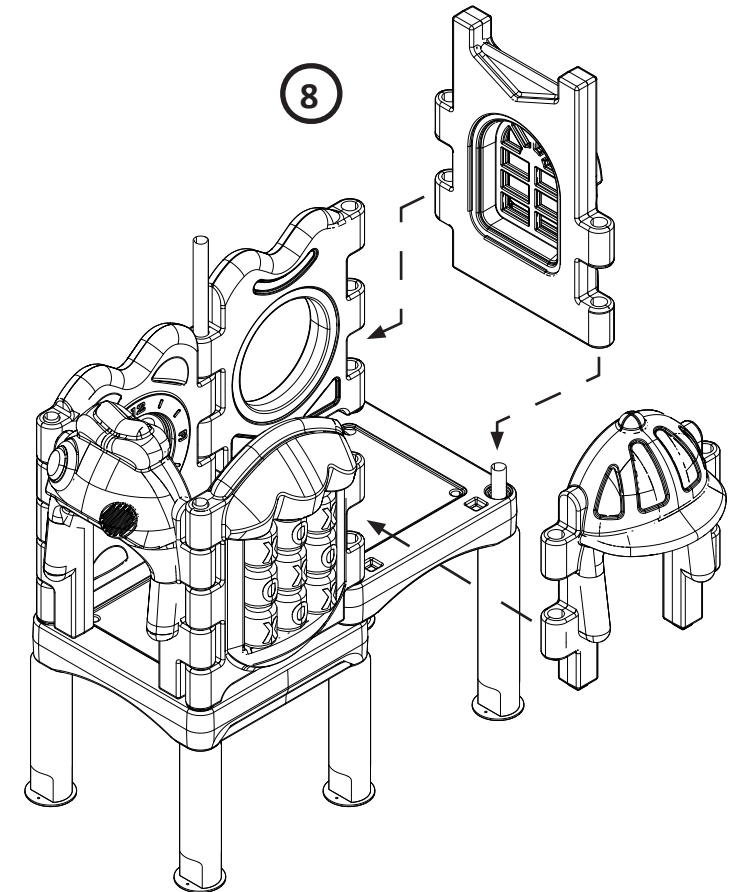
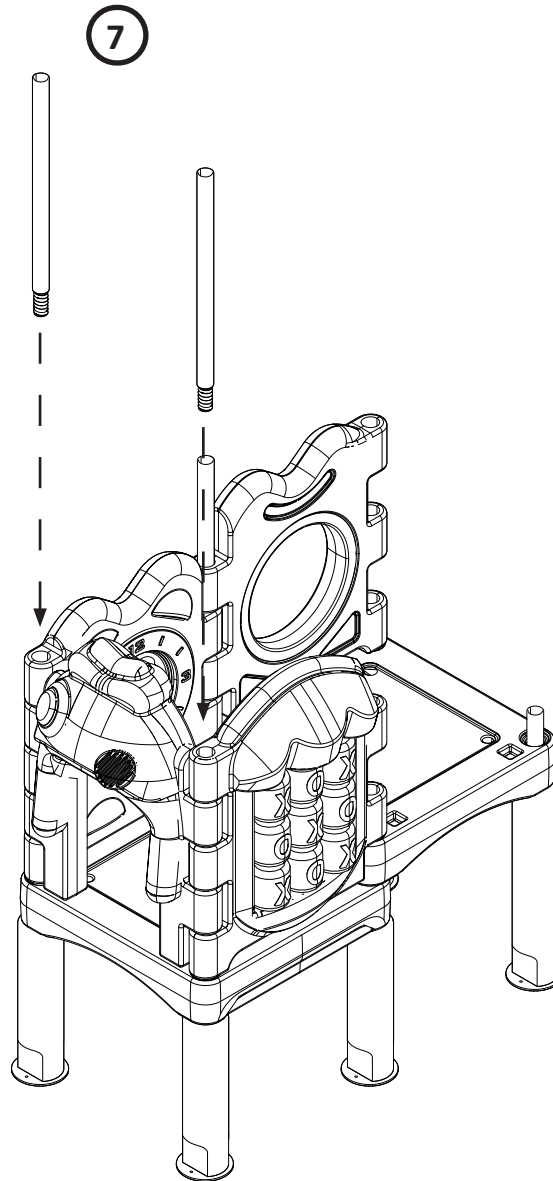


- 6 Install the Tic Tac Toe panel by sliding it over the protruding ends of the Post Bases. Once the Tic Tac Toe Panel is in place, slide the Fish Stair Panel into place between the notches in the adjacent panels.



7 Install two Post Tops by sliding them down through the overlapping sections of the panels. Twist to tighten down and attach to the base section of the Post Bases.

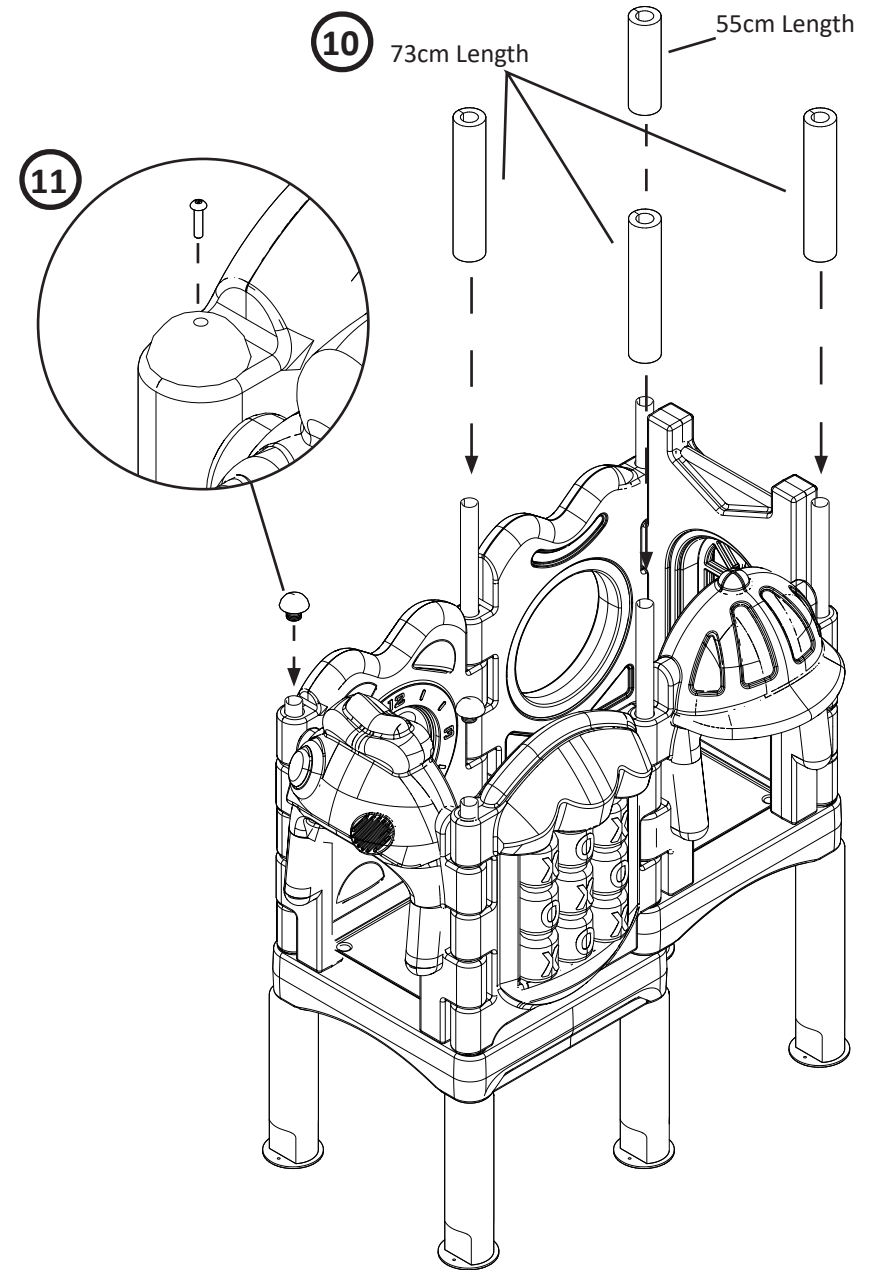
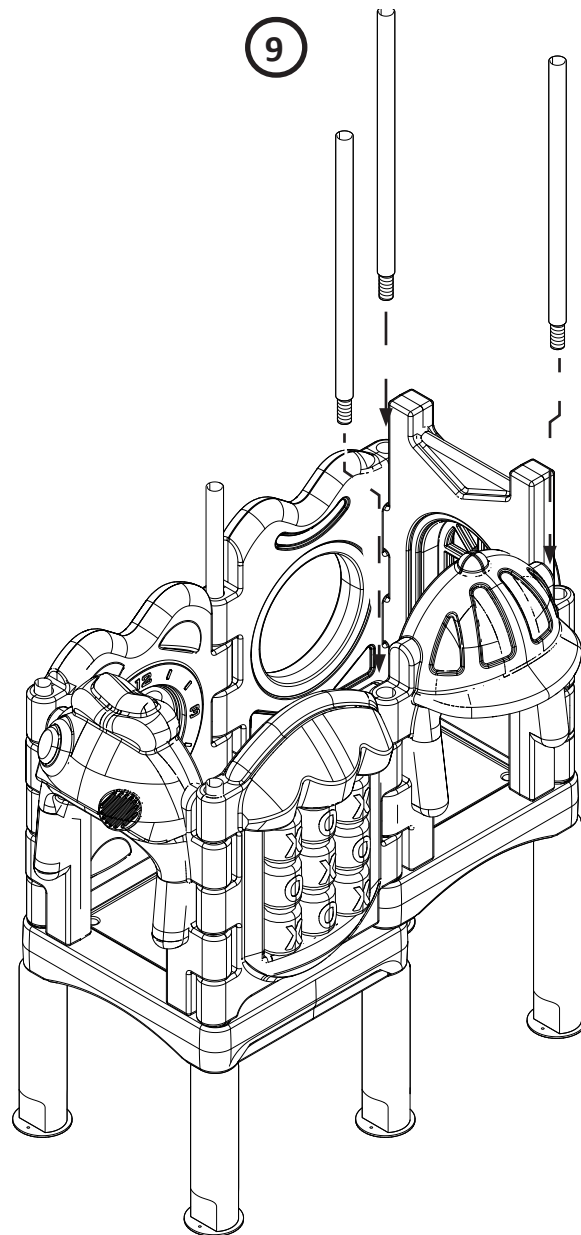
8 Install the Window Panel by sliding it down over the protruding end of the Post Bases, while also aligning the notched sections with the adjacent See Through Panel. Install the Hard Hat Panel by sliding into place with the overlapping sections of the adjacent panels, and inserting into the notches in the Platform.



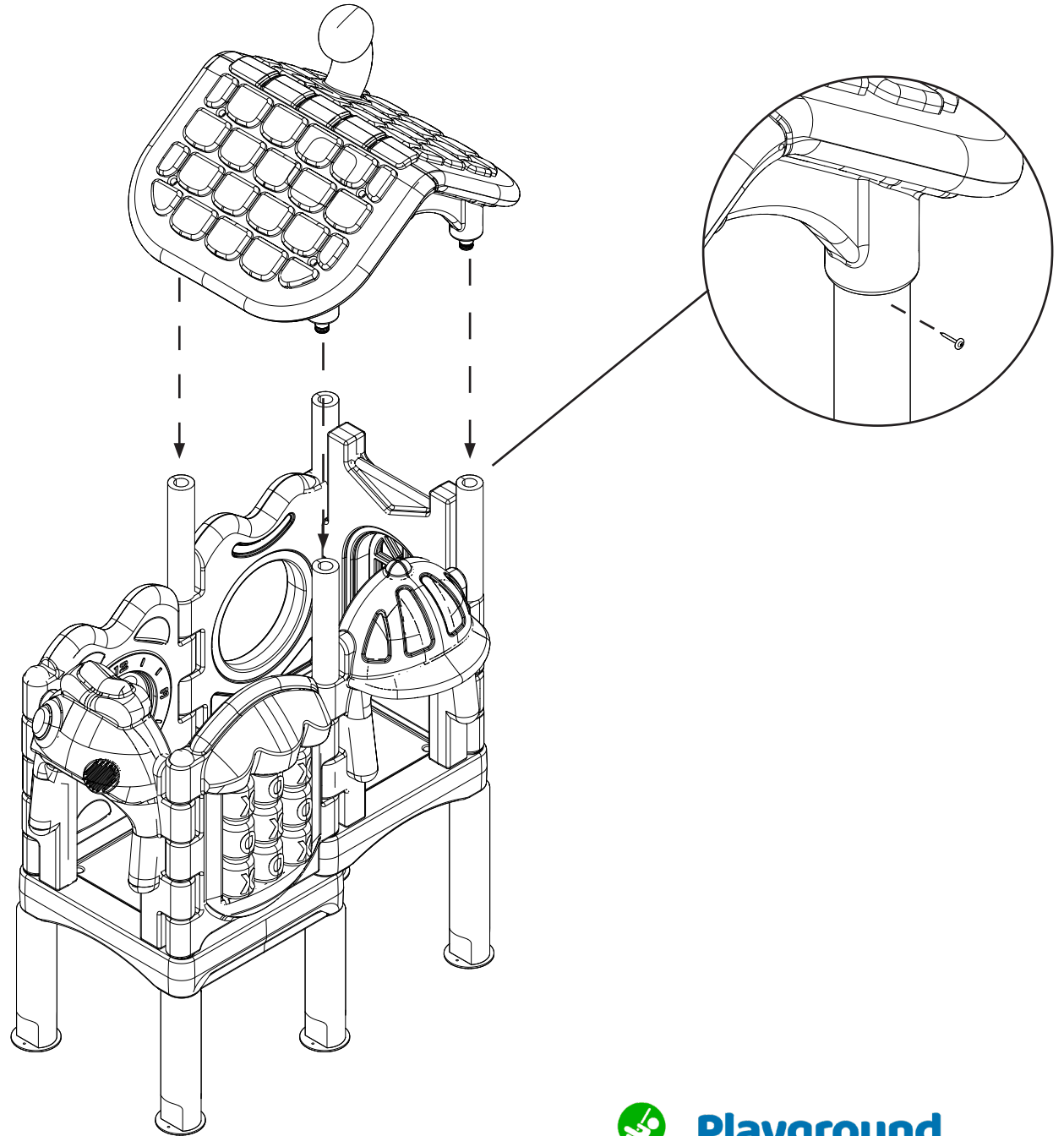
9 Install three more Post Tops by sliding them down through the overlapping sections of the panels. Turn the Post Tops to thread and attach to the Post Bases.

10 Install the four Post Sleeves by sliding down over the top of each post.

11 Install the Post Caps onto the two shortest posts using two (2) M10*49mm Bolts

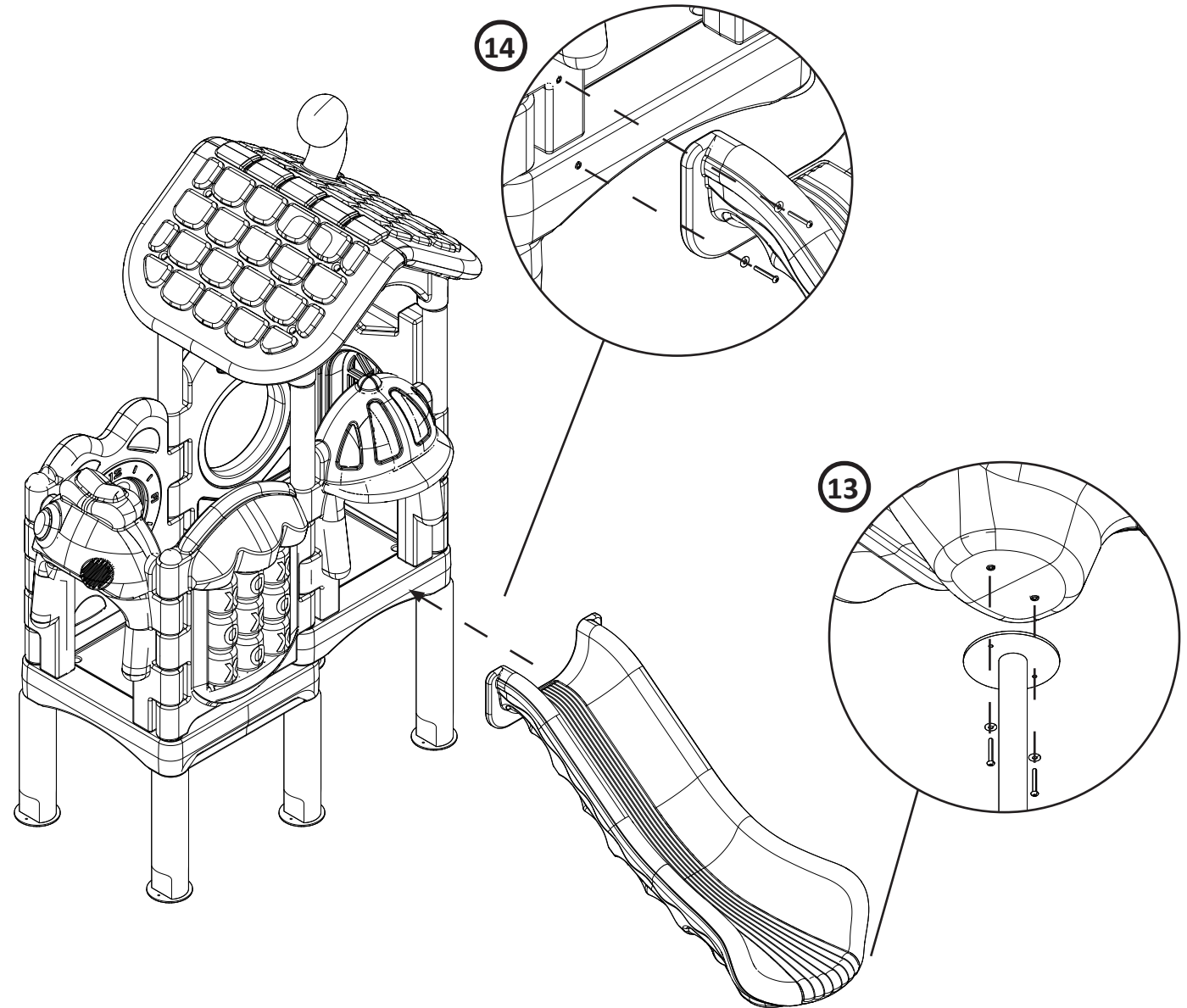


- 12** Install the roof by inserting the pegs down into the tops of the posts. Use the provided self tapping screws to anchor the roof to each of the Post Bases.



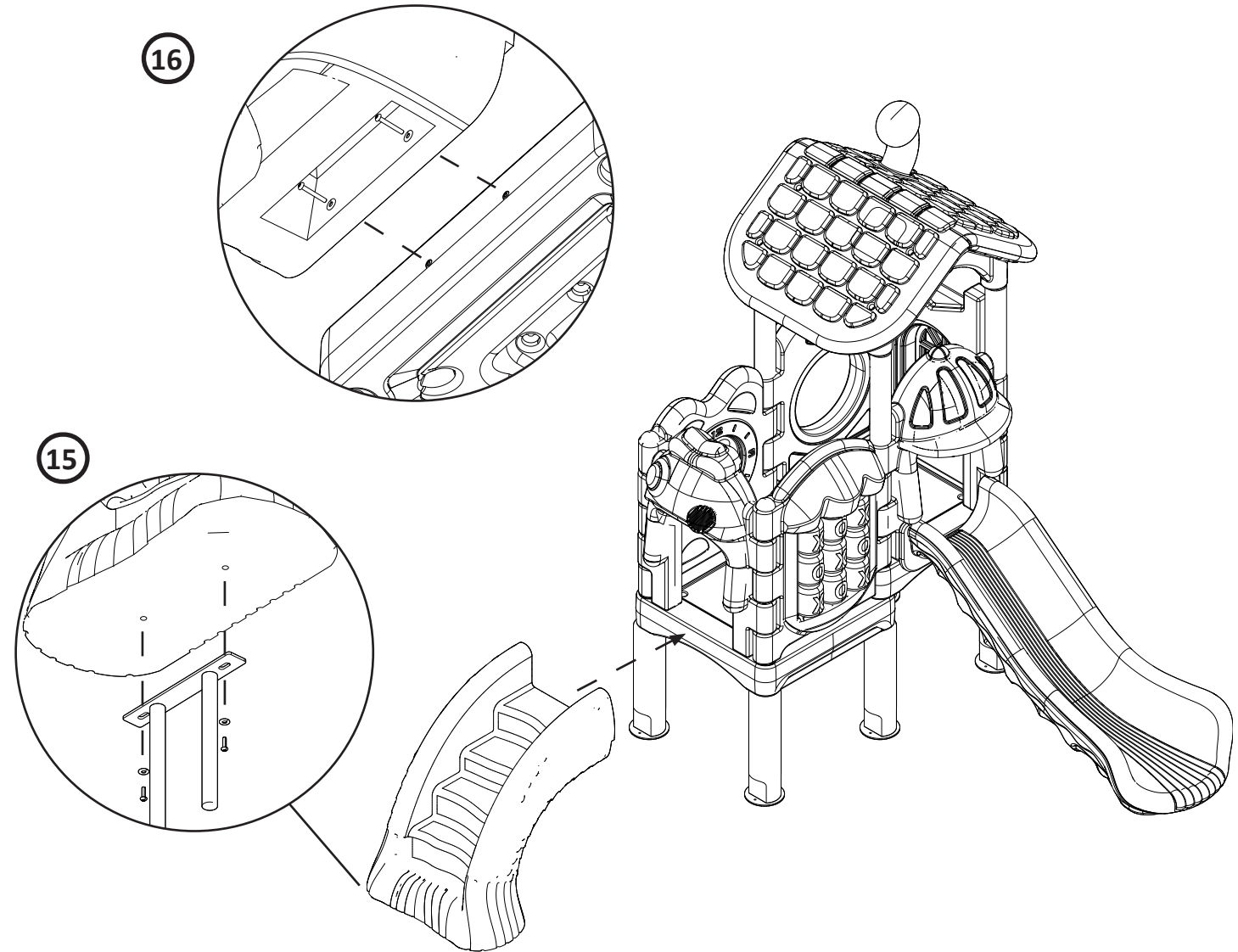
- 13** Attach the Slide End mount to the underside of the Slide using two (2) M8*20mm Bolts and two (2) M8 Washers.

- 14** Align the Slide with the Platform and the Slide Entrance panel and install using four (4) M10*45mm Bolts and four (4) M10 Washers.



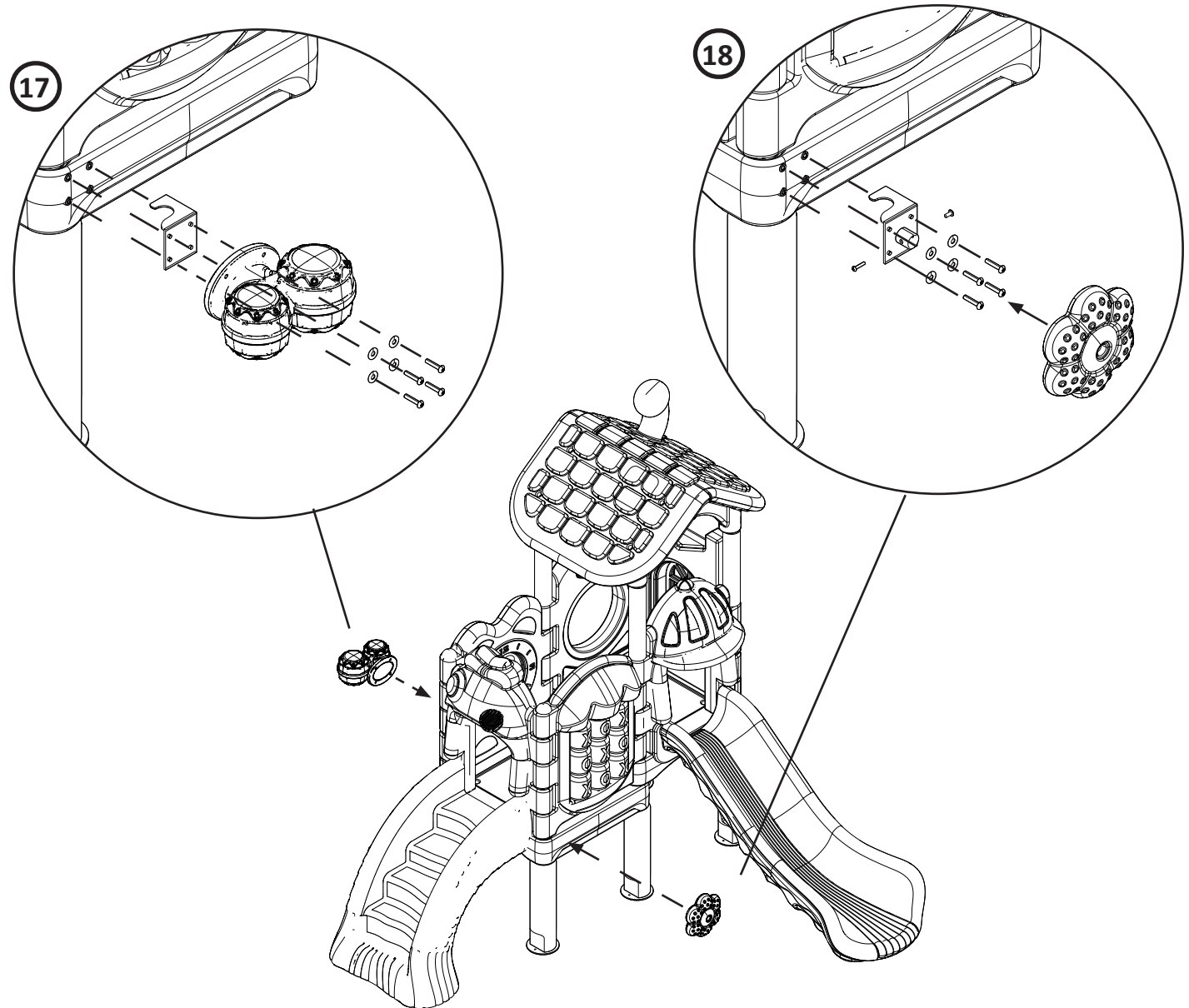
- 15** This step only applies if mounting using the surface mount or concrete in-ground mounting methods. Attach the mount to the bottom of the Fish Stair using two (2) M8*20mm Bolts and two (2) M8 Washers. (additional information included in the mounting options listed at the beginning of this document.)

- 16** Align the Fish Stairs with the platform and the Fish Stair Entrance panel, and attach using two (2) M10*70mm Bolts.



17 Install the Bongo Drum using the installation bracket. Loop the hook of the installation bracket around the post by inserting it into the gap between the platform and the Clock Panel. Attach using four (4) M10*25mm Bolts and four (4) M10 Washers.

18 Install the Rain Wheel using the installation bracket. Loop the hook of the installation bracket around the post by inserting it into the gap under the Tic-Tac-Toe panel. Attach the installation bracket using four (4) M10*25mm Bolts and four (4) M10 Washers. Then attach the Rain Wheel to the installation bracket with one (1) M8*25mm Bolt and one (1) M8 Barrel Nut.



- 19** Once the structure has been confirmed to be in the correct location, has been attached to any footings, or by using the mounting stakes; install the Foot Covers. The Foot Covers slide around the base of the post, and are attached using the supplied hardware.

