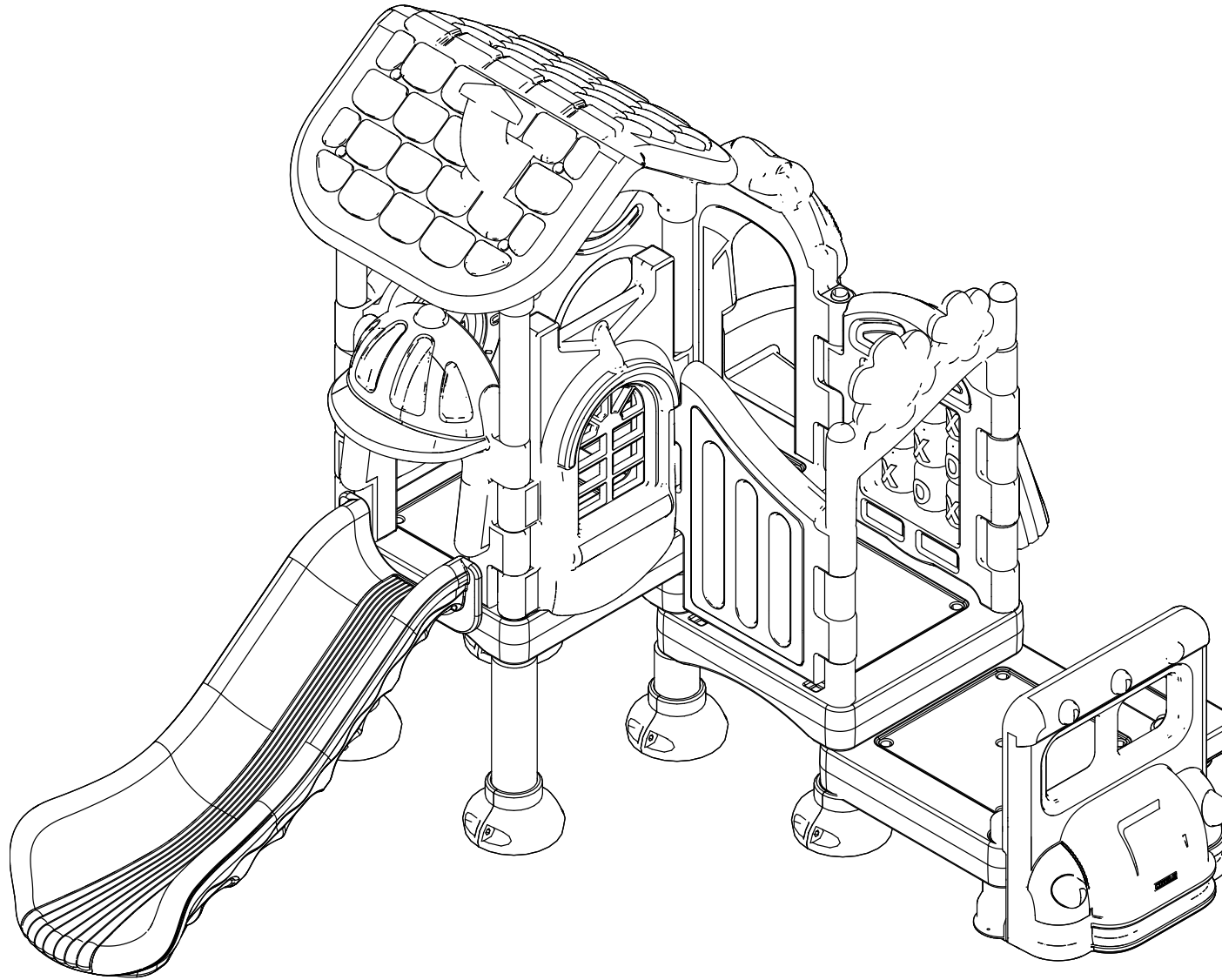

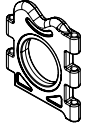

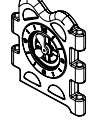


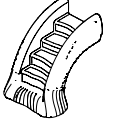
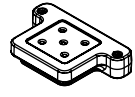

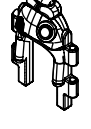


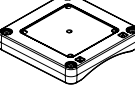
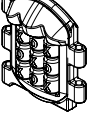


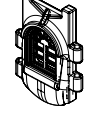

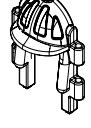


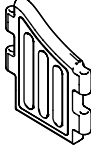




Moonlight Imagination Station

PCE002



Car Panel	Qty: 1		See Through Panel	Qty: 1		Rain Wheel	Qty: 1	
Clock Panel	Qty: 1		Chimney Roof	Qty: 1		Post Top: 70cm	Qty: 1	
Fish Stair	Qty: 1		Step	Qty: 1		Post Top: 89cm	Qty: 1	
Fish Stair Panel	Qty: 1		Single Slide	Qty: 1		Post Top: 142cm	Qty: 4	
Platform	Qty: 4		Tic Tac Toe Panel	Qty: 1		Post Base: 44cm	Qty: 2	
Butterfly Buttress	Qty: 1		Window Panel	Qty: 1		Post Base: 80cm	Qty: 2	
Hard Hat Panel	Qty: 1		Foot Cover	Qty: 7		Post Base: 100cm	Qty: 4	
Line Panel	Qty: 1		Bongos	Qty: 1		Post Base: 167cm	Qty: 1	

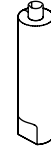
Post Base: 187cm

Qty: 1



Post Sleeve Base: 83cm

Qty: 2



Slide Mount

Qty: 1



Post Cap

Qty: 4



Post Sleeve Top: 19cm

Qty: 5



Post Sleeve Top: 55cm

Qty: 1



Post Sleeve Top: 73cm

Qty: 3



Post Sleeve Base: 25cm

Qty: 1



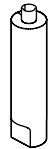
Post Sleeve Base: 44cm

Qty: 2

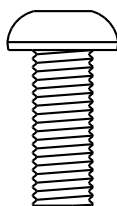


Post Sleeve Base: 64cm

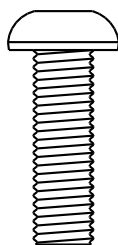
Qty: 2



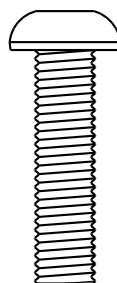
M8*20mm



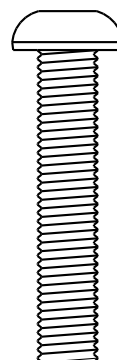
M8*25mm



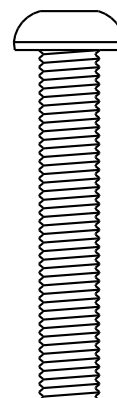
M8*30mm



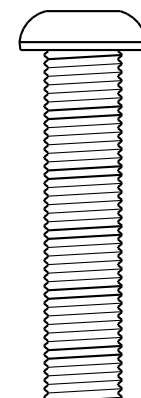
M8*40mm



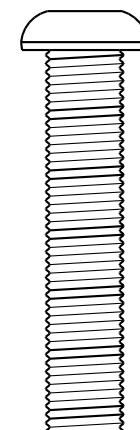
M8*45mm



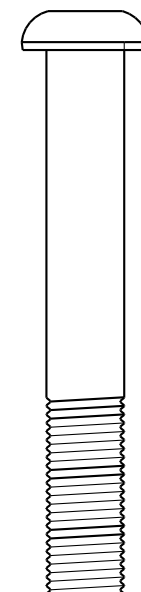
M10*45mm



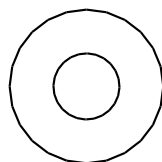
M8*49mm



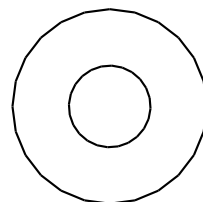
M8*70mm



M8 Washer



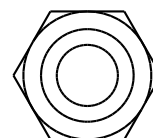
M10 Washer



M8 Lock Nut



M10 Lock Nut



Self Tapping Screw



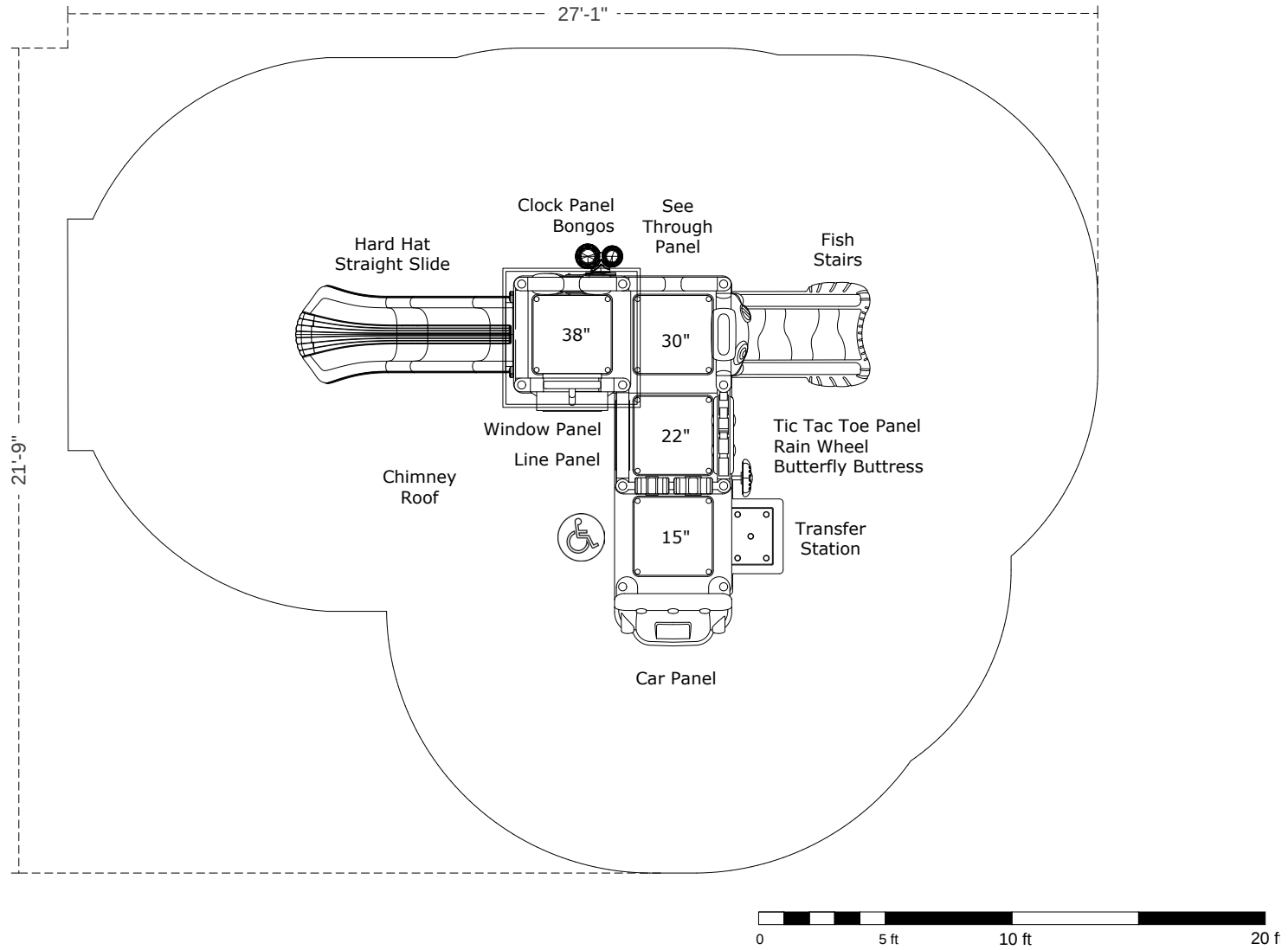
Material Specifications:

Posts - Aluminium

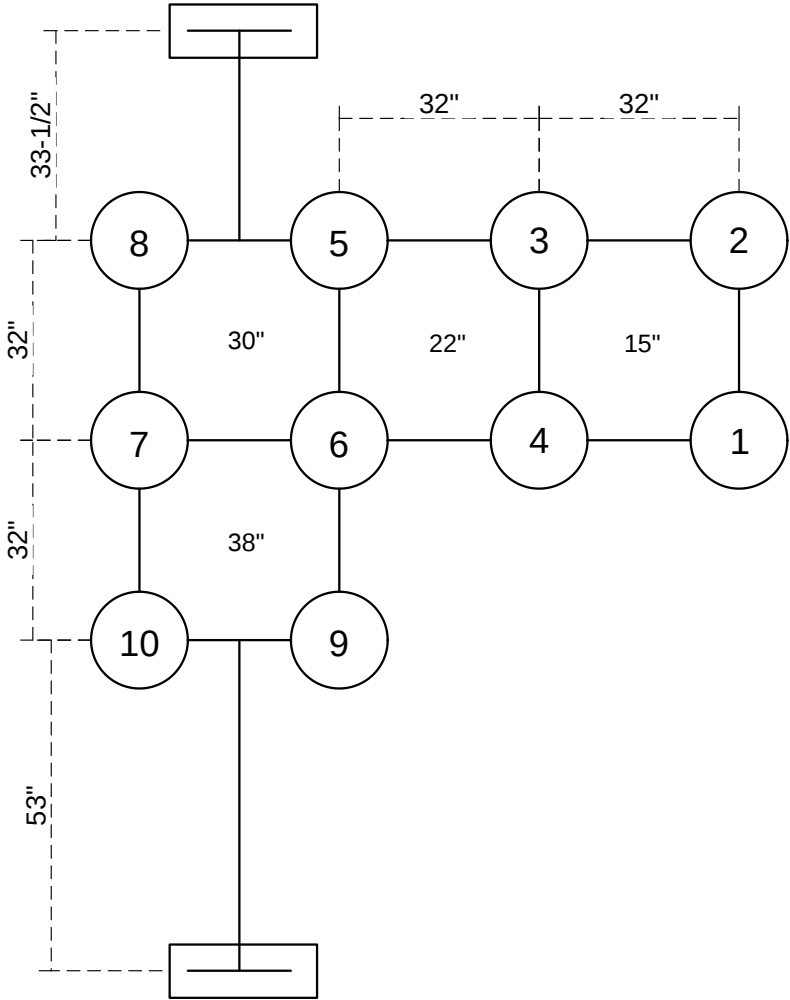
Plastics - Low Density Polyethylene, Rotational and Blow Molding

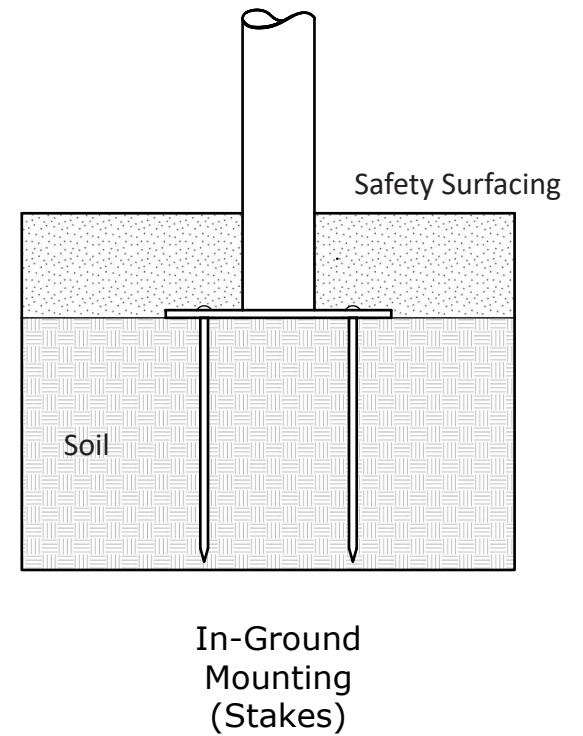
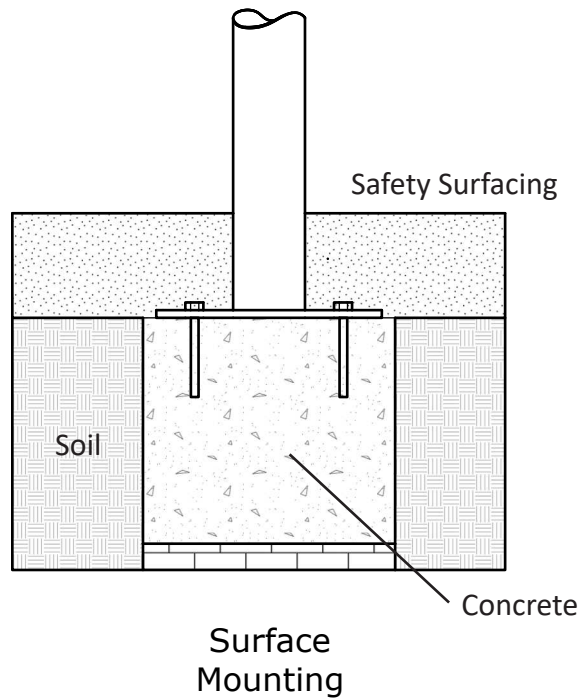
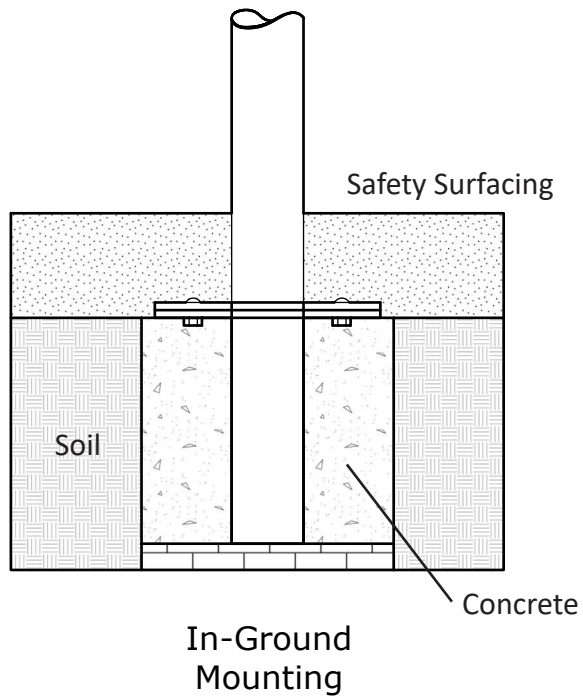
Hardware - Stainless Steel

Overhead Layout and Use Zone



Footing Layout Diagram





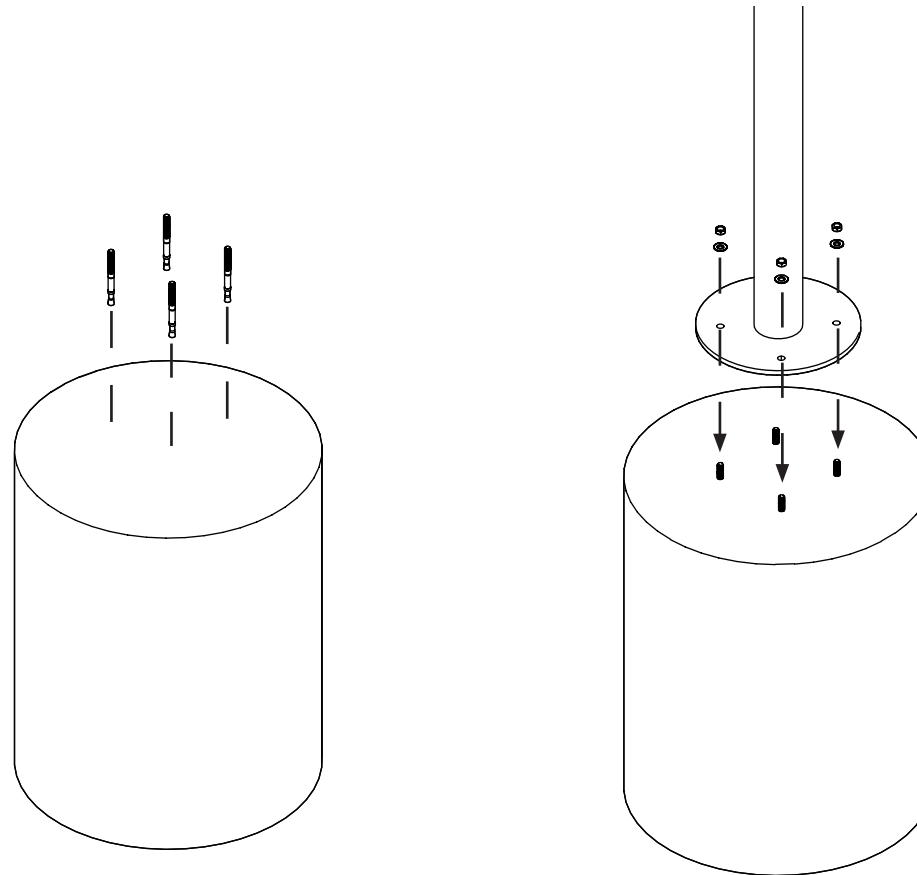
Standard Mounting Option

The standard base mounting option is surface mount.

To surface mount the Imagination Station, select a suitable mounting surface. This is usually a pre-existing concrete slab of at least 4" of thickness large enough to accommodate the equipment, or custom poured footings 12" diameter x 18" depth for each post.

Using the post base as a template, mark and drill the concrete to install the concrete anchors. Once the anchors are inserted, place the post over the anchors and tighten down.

Concrete Anchors Not Included.
Specific instructions for the concrete anchors may vary, and it is recommended to follow the instructions provided by the anchor manufacturer.

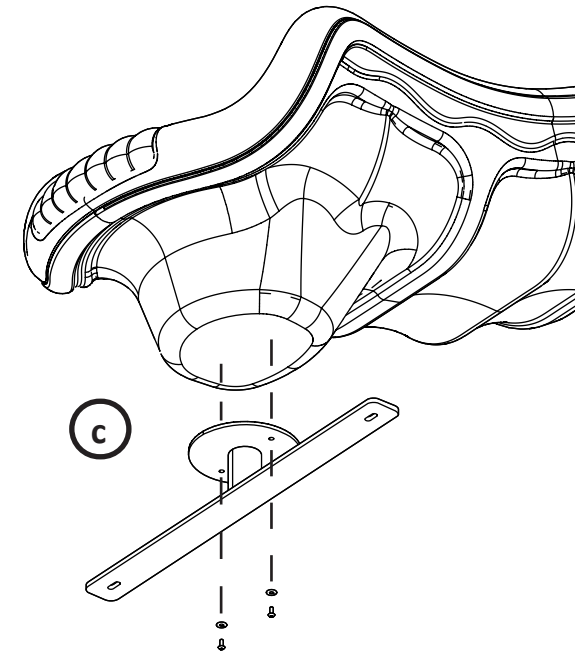
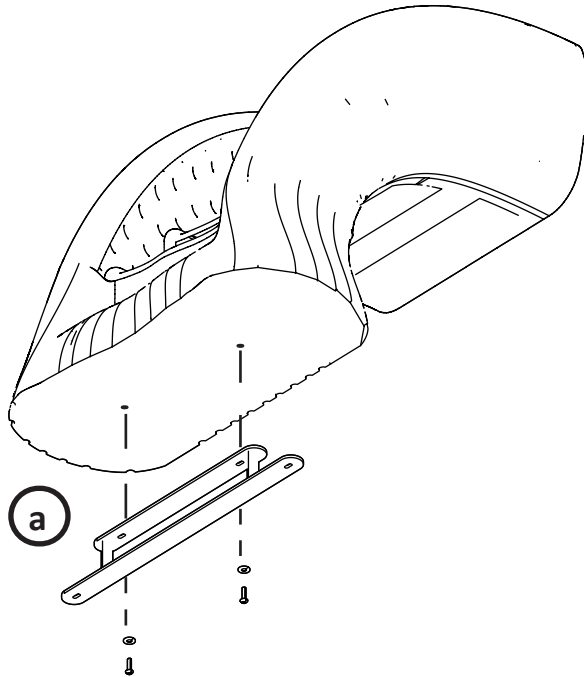
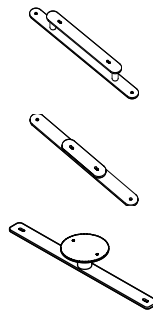


Premium Surface Mount Kit
(Sold Separately)

Fish Stair Mount Qty: 1

Step Mount Qty: 1

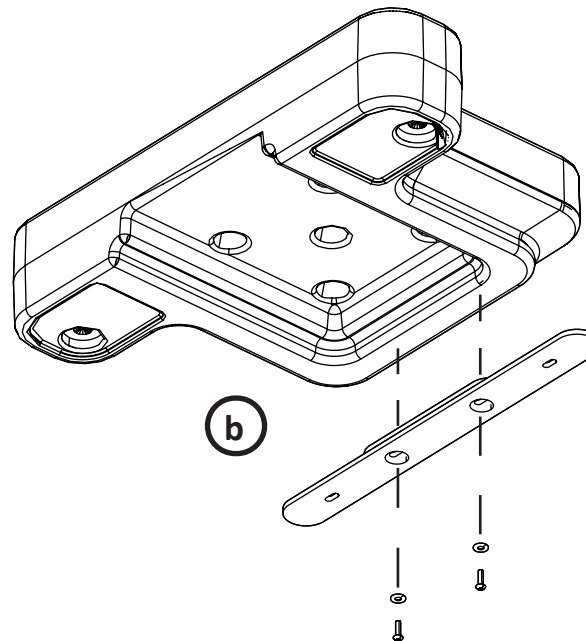
Slide End Mount Qty: 1



a Attach the Fish Stair Mount using two (2) M8*20mm Bolts and two (2) M8 Washers.

b Attach the Step Mount to the bottom of the Step using two (2) M8*20mm Bolts and two (2) M8 Washers.

c Attach the Slide End mount to the underside of the Slide using two (2) M8*20mm Bolts and two (2) M8 Washers.



To surface mount the Imagination Station, select a suitable mounting surface. This is usually a pre-existing concrete slab of at least 4" of thickness large enough to accommodate the equipment, or custom poured footings 12" diameter x 18" depth for each post.

Concrete Anchors Not Included.
Specific instructions for the concrete anchors may vary, and it is recommended to follow the instructions provided by the anchor manufacturer.

In-Ground Mounting Kit
(Sold Separately)

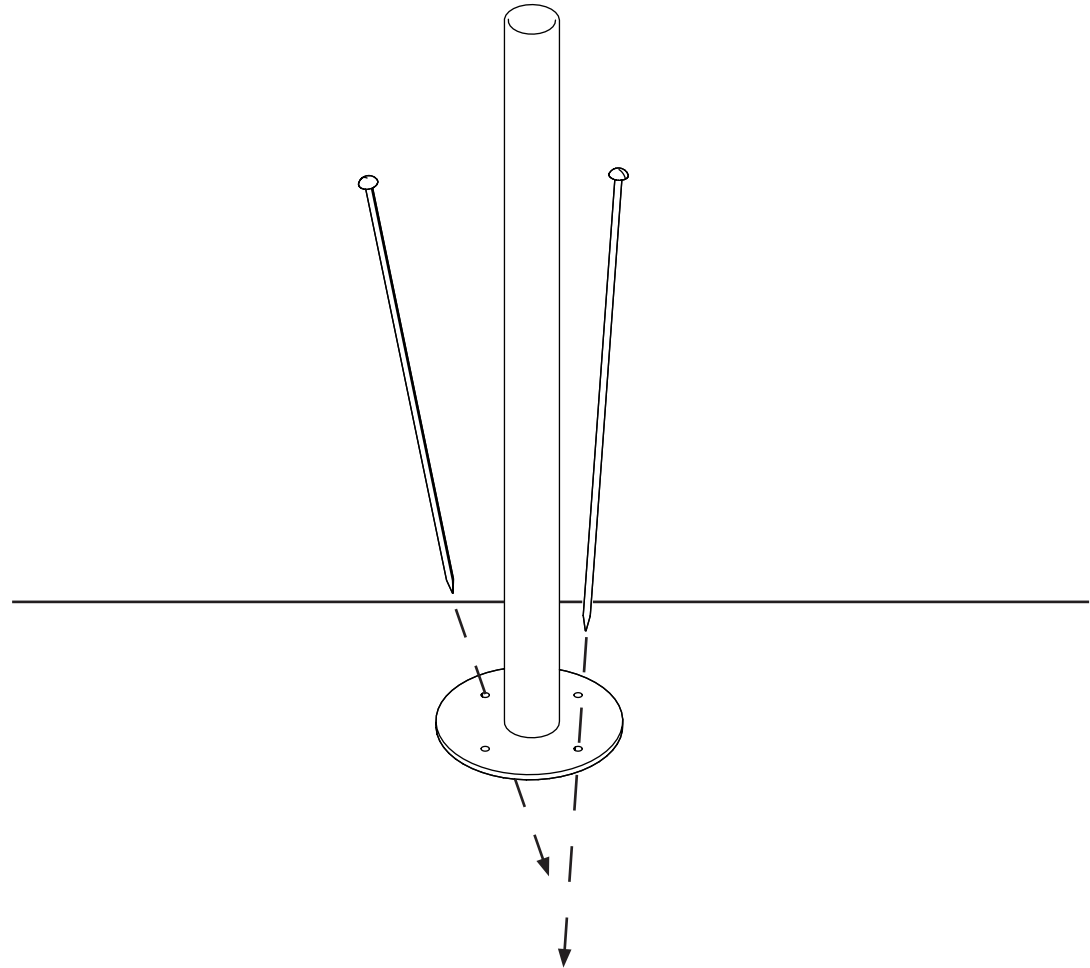
Mounting Stake

Qty: 20



The Mounting Stakes are used to mount the Imagination Station in an a grass or soil heavy area without the need to dig and pour concrete footings.

Hammer two of the Mounting Stakes into the ground for each of the main posts. Be sure to install the stakes at varying angles to help prevent them from loosening over time.



Premium In-Ground Mounting Kit
(Sold Separately)

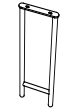
Post Mounts Qty: 10



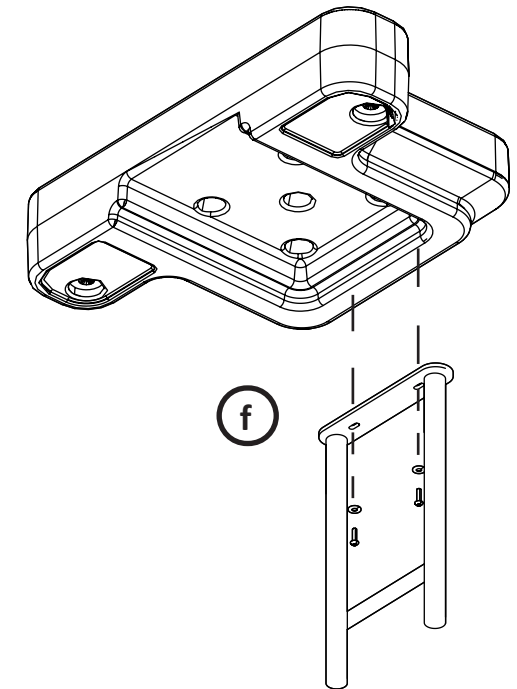
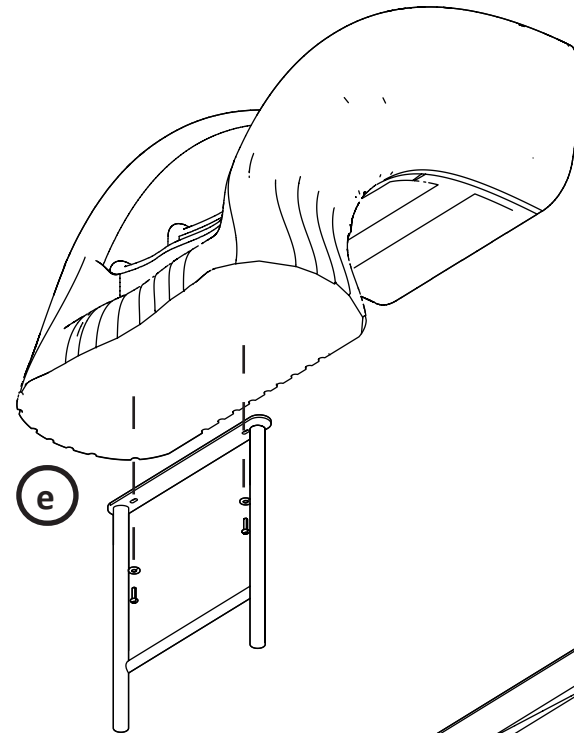
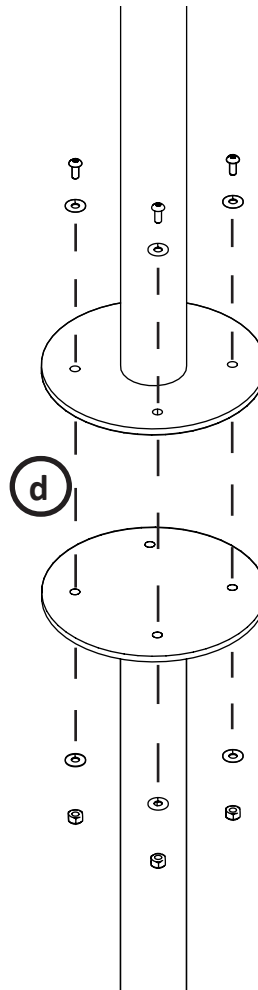
Fish Stair Mount Qty: 1



Step Mount Qty: 1



Slide End Mount Qty: 1



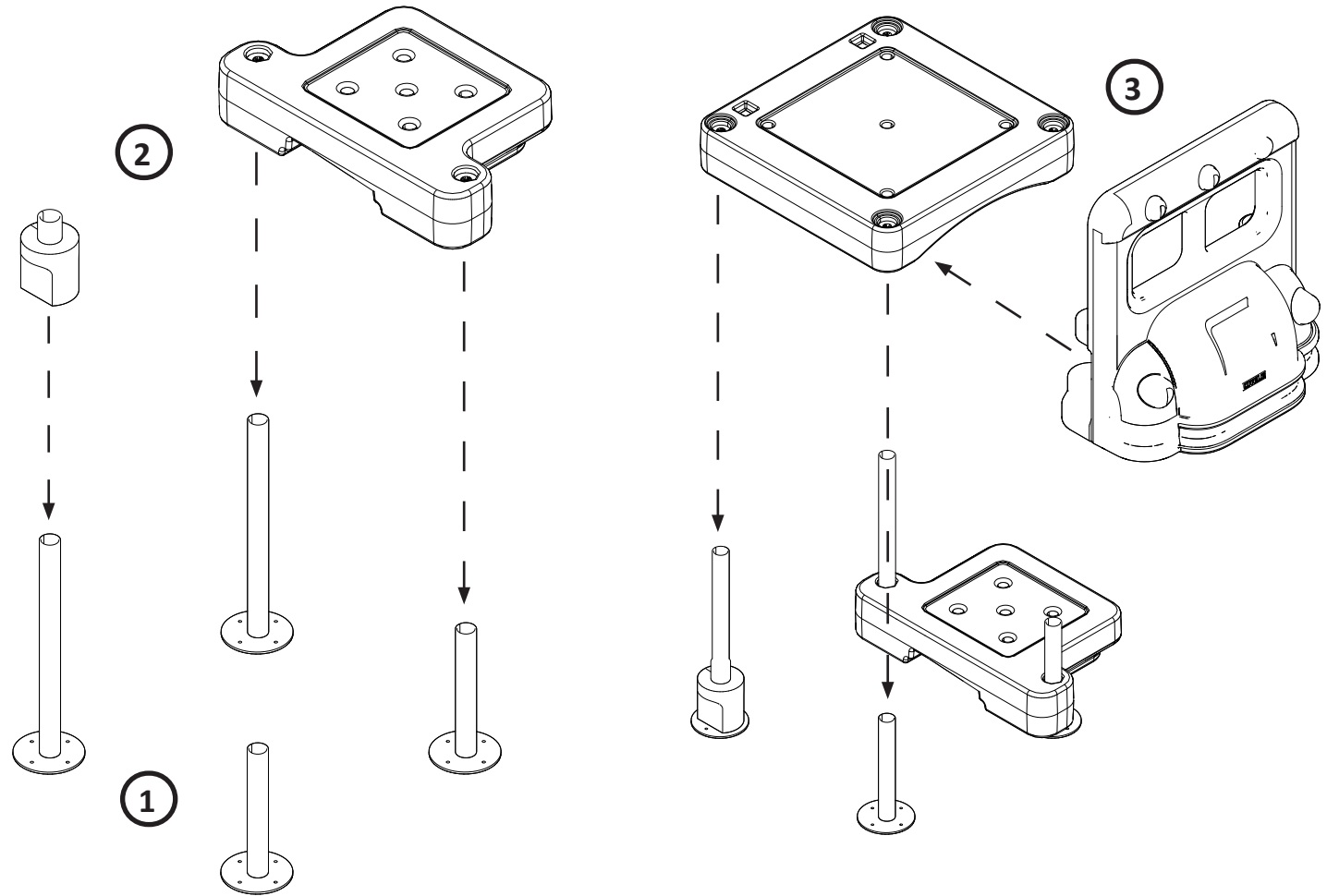
d Attach the Post Mounts to the base of the main posts using four (4) M10*25mm Bolts, eight (8) M10 Washers, and four (4) M10 Lock Nuts

e Attach the Fish Stair Mount to the bottom of the Fish Stair using two (2) M8*20mm Bolts and two (2) M8 Washers.

f Attach the Step Mount to the bottom of the Step using two (2) M8*20mm Bolts and two (2) M8 Washers.

Dig 12" diameter x 18" depth holes for the footings. Place the equipment with attached in-ground mounts into the holes and secure in place using ropes or straps. Pour concrete and let cure.

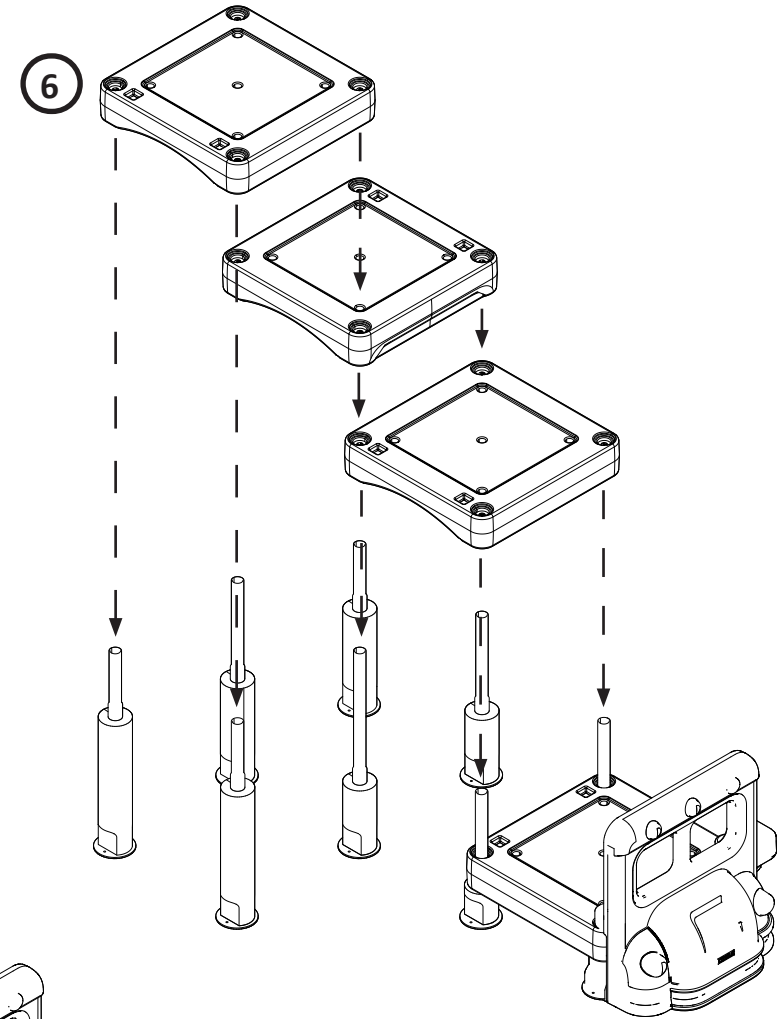
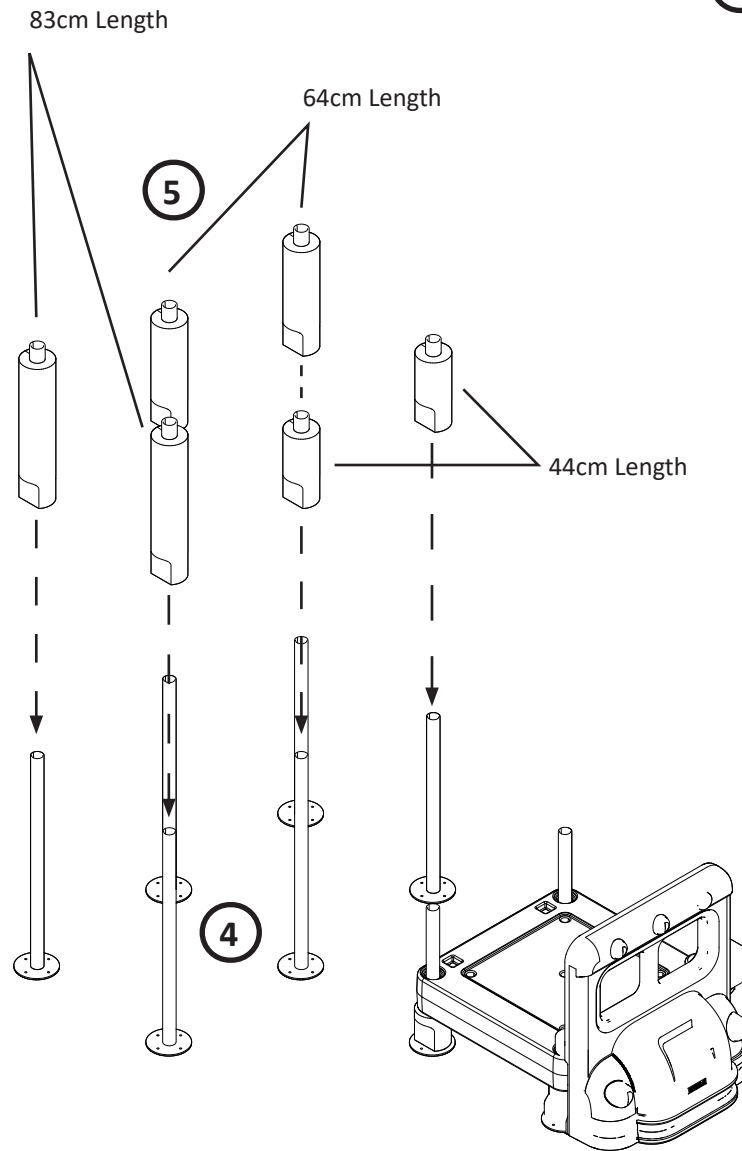
- 1 Set out the first four Post Bases following the dimensions listed in the footer layout diagram. (Posts 1, 2, 3, 4)
- 2 Slide the Single Step and the 15cm Post Sleeve down over the tops of the Post Bases.
- 3 Fit the Car Panel onto the edge of the Platform, then lower the two pieces down over the tops of the Post Bases.



- 4** Lay out the remaining six Post Bases by following the dimensions in the Footer Layout diagram. (Posts 5, 6, 7, 8, 9, 10)

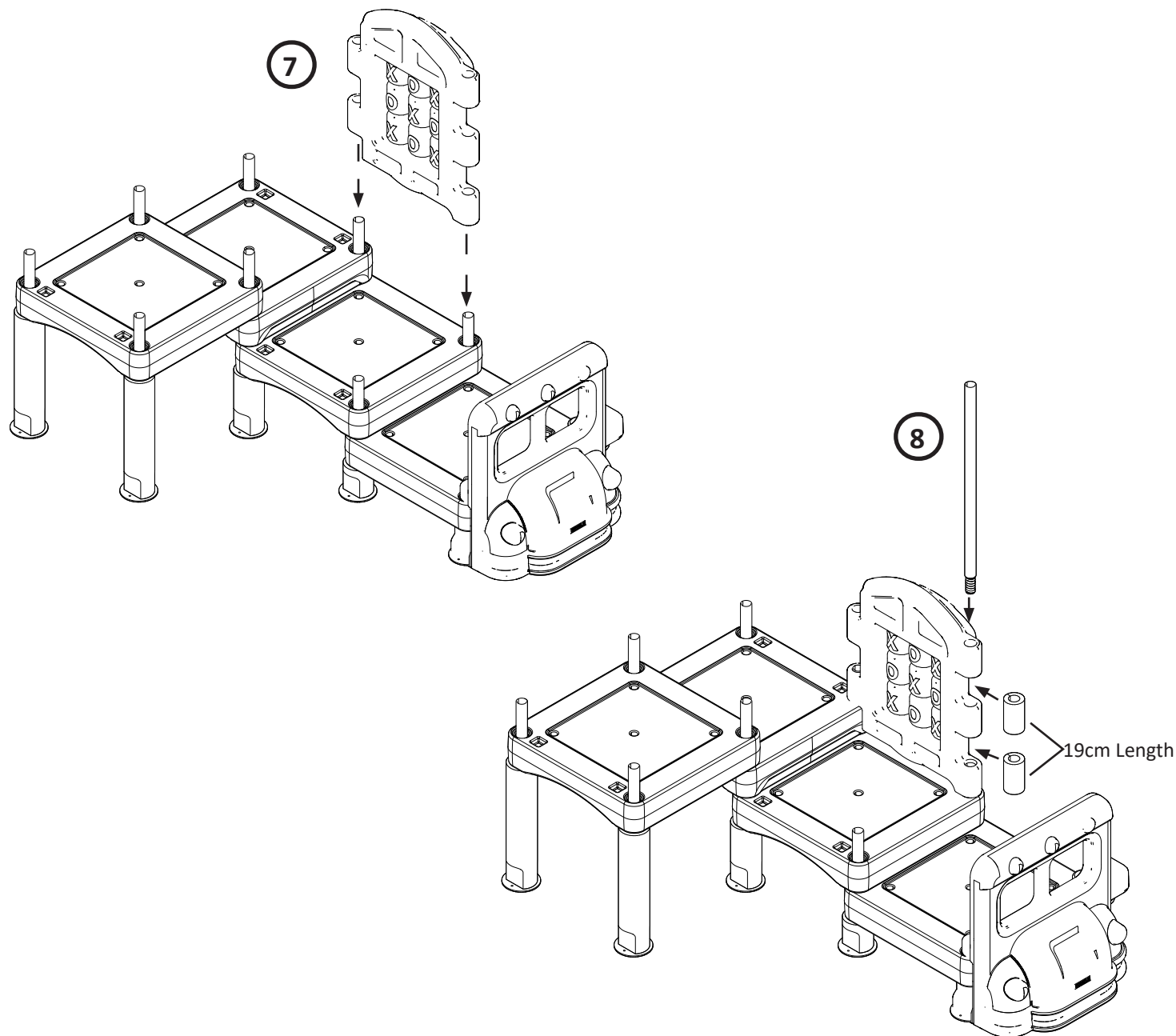
- 5** Install the six Post Sleeve Bases by sliding them down over the tops of the remaining Primary Support Posts. Be sure to place the Post Sleeve Bases according to the lengths shown.

- 6** Install the Platforms sequentially from lowest to highest height by sliding them down over the tops of the Primary Support Posts. Pay carefull attention to the orientation of each platform (refer to the Platform Layout diagram)



- 7** Install the Tic Tac Toe panel by sliding it over the protruding ends of the Post Bases.

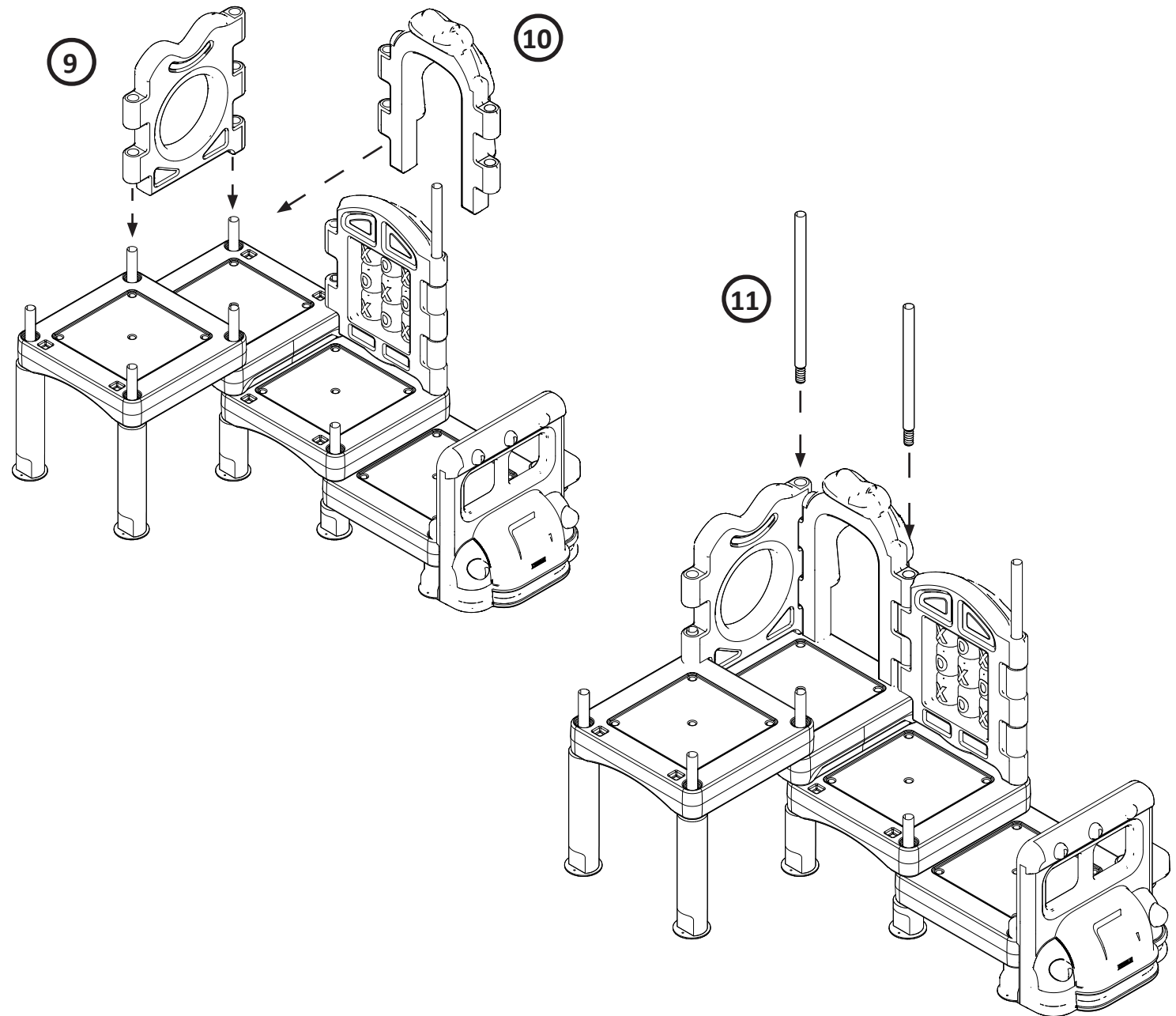
- 8** Install the Post Top by inserting the post down through the Tic Tac Toe Panel. While doing so, insert two 19cm Post Sleeve Tops to close off the remaining gaps in the Tic Tac Toe Panel.



9 Install the See Through Panel into place by sliding it down onto the protruding portions of the Post Bases.

10 Fit the Fish Stair Panel into place between the See Through Panel and the Tic Tac Toe Panel.

11 Slide the Post Tops down through the panel junctions on both sides of the Fish Stair Panel. Twist each post to thread and tighten down to the Post Bases.

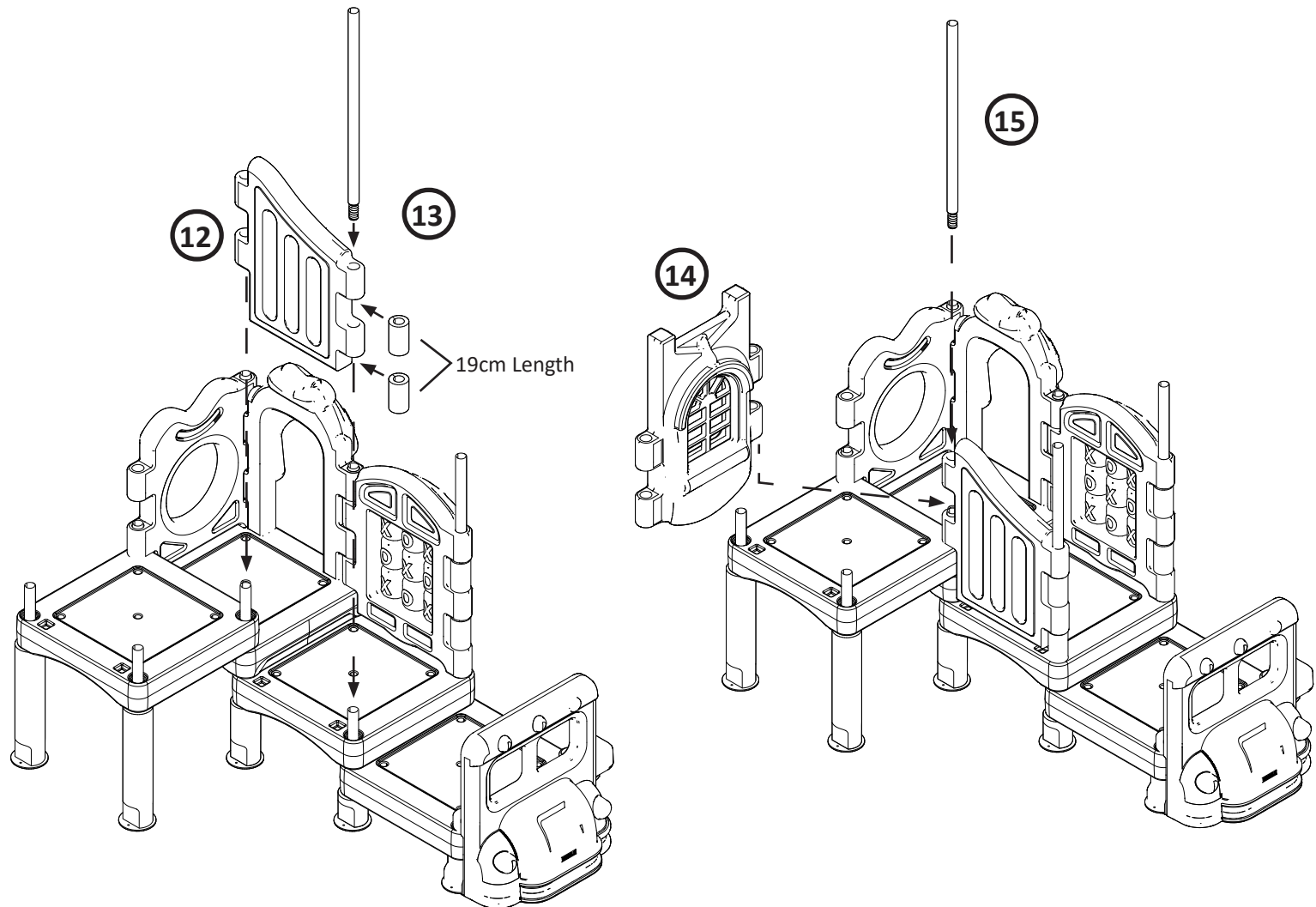


- 12** Install the Line Panel by placing it down over the protruding ends of the Post Bases.

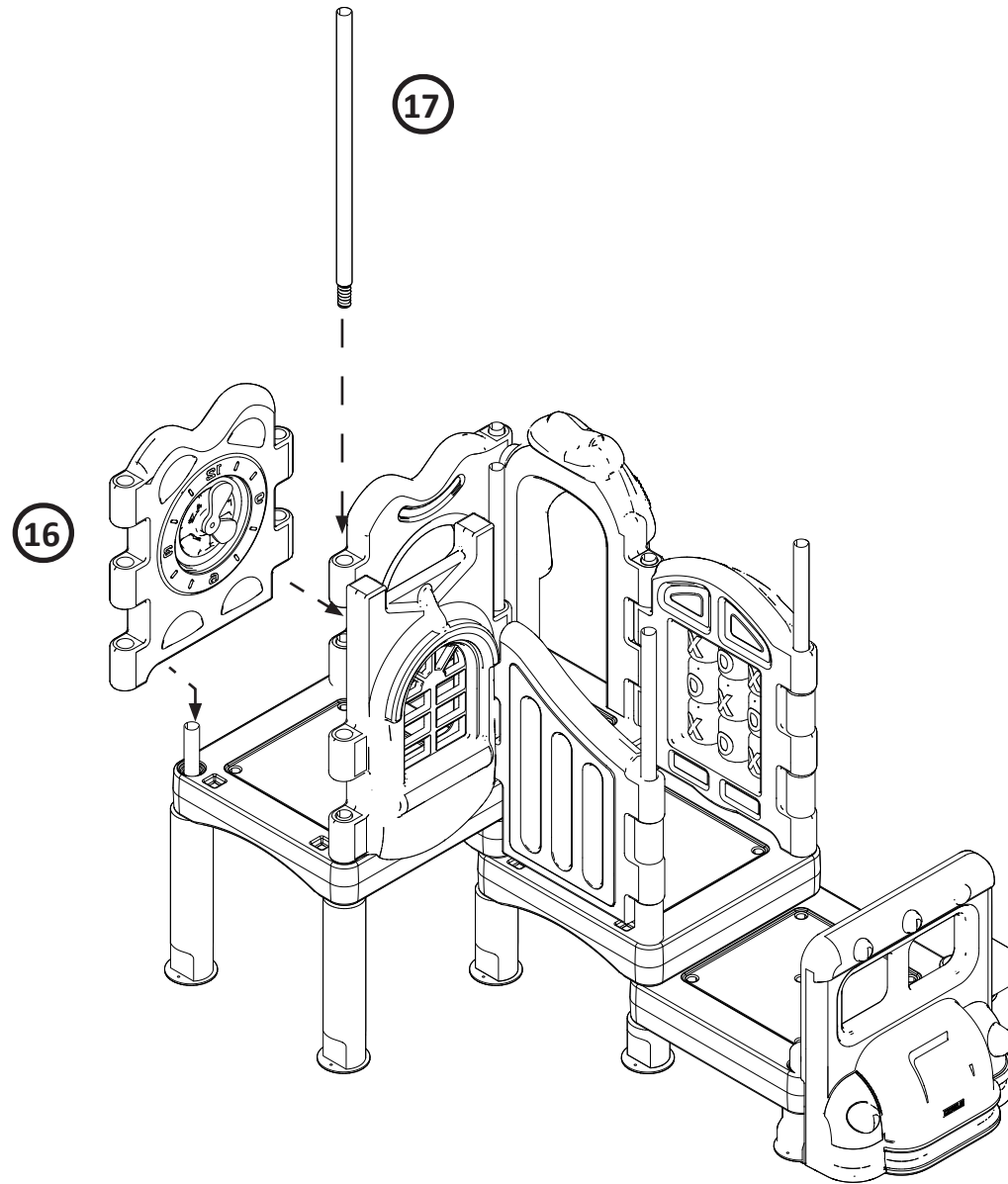
- 13** Slide the Post Top down through the Line Panel, ensuring that the Post Sleeve spacers are placed in the gaps of the Line Panel. Turn the post to thread and tighten to the Post Base.

- 14** Place the Window Panel down over the protruding end of the Post Base, and fit the other side of the panel into the corresponding gaps of the Line Panel.

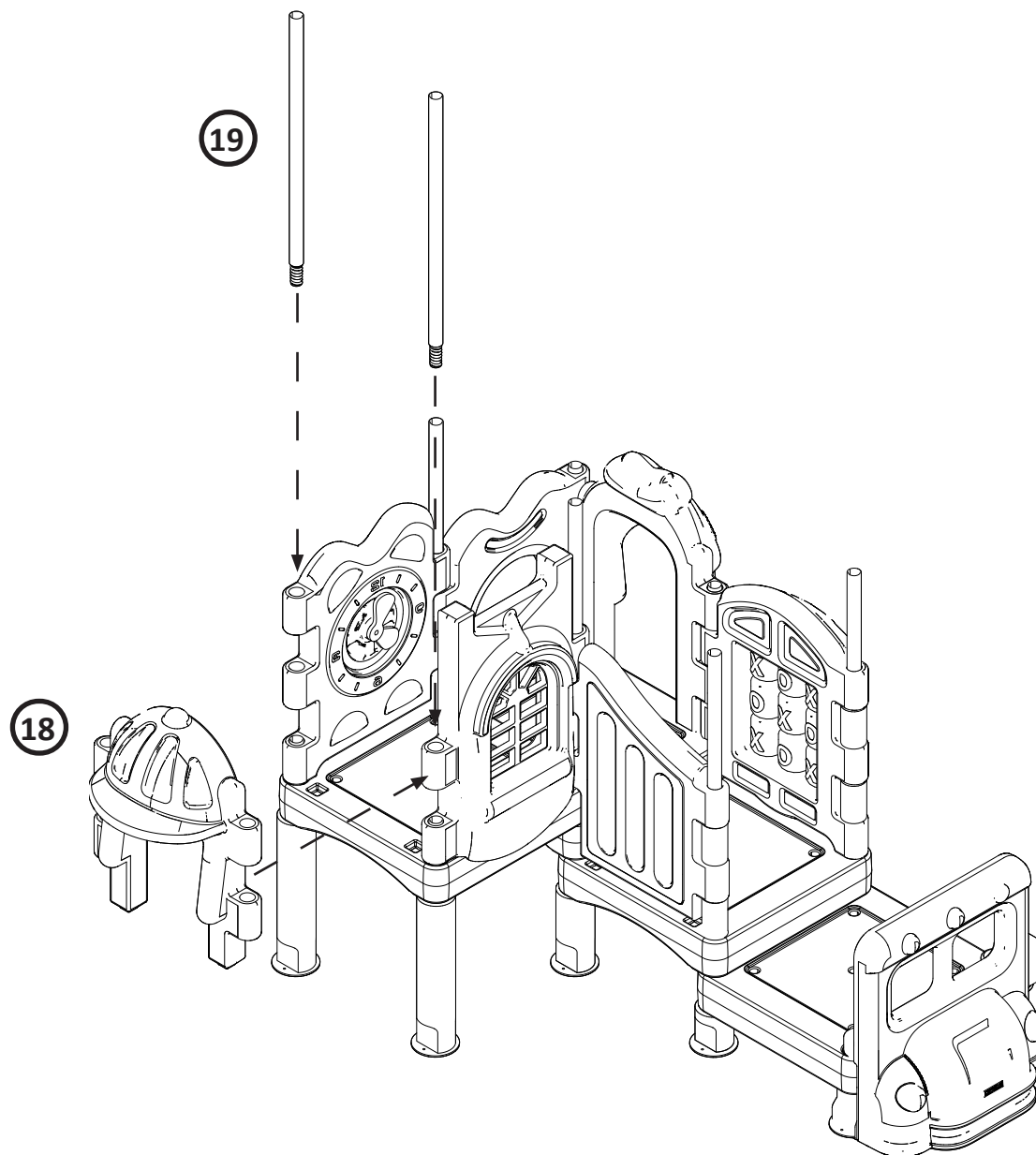
- 15** Insert the Post Top down through the junction of the Window Panel and the Line Panel. Turn the post to thread and attach to the Post Base.



- 16** Place the Clock Panel into place by sliding it over the protruding portion of the Post Bases, and fit the other end of the clock panel into the notches of the See Through Panel.
- 17** Install the Post Top by inserting into the top of the Clock and See Through Panels. Slide the post down and turn to thread and attach to the Post Base.

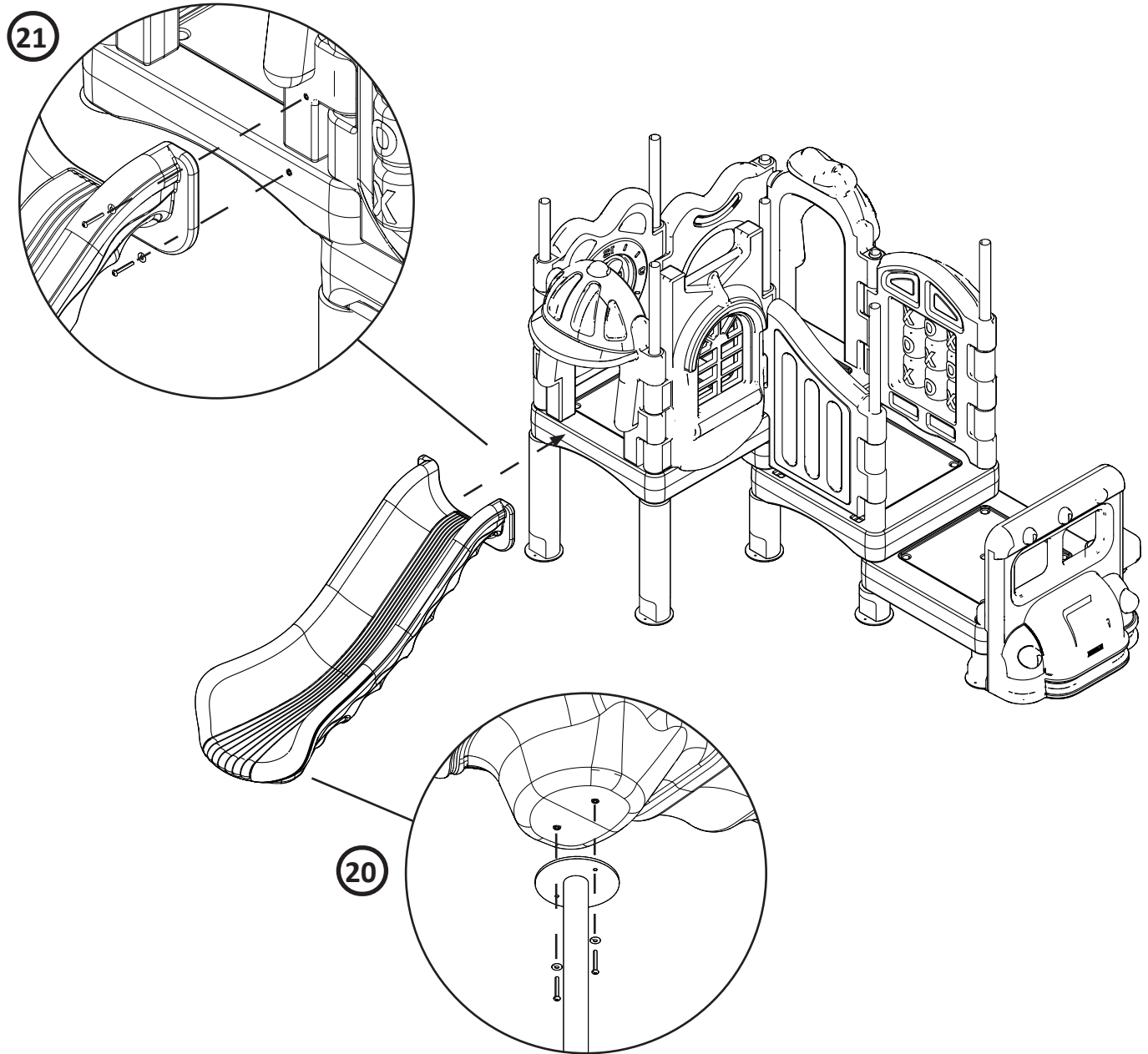


- 18** Fit the Hard Hat Panel into place by sliding into the corresponding slots of the adjacent Clock and Window Panels.
- 19** Install the two Post Tops by inserting down through the openings on both sides of the Hard Hat Panel. Turn the post to thread and attach to the Post Bases.



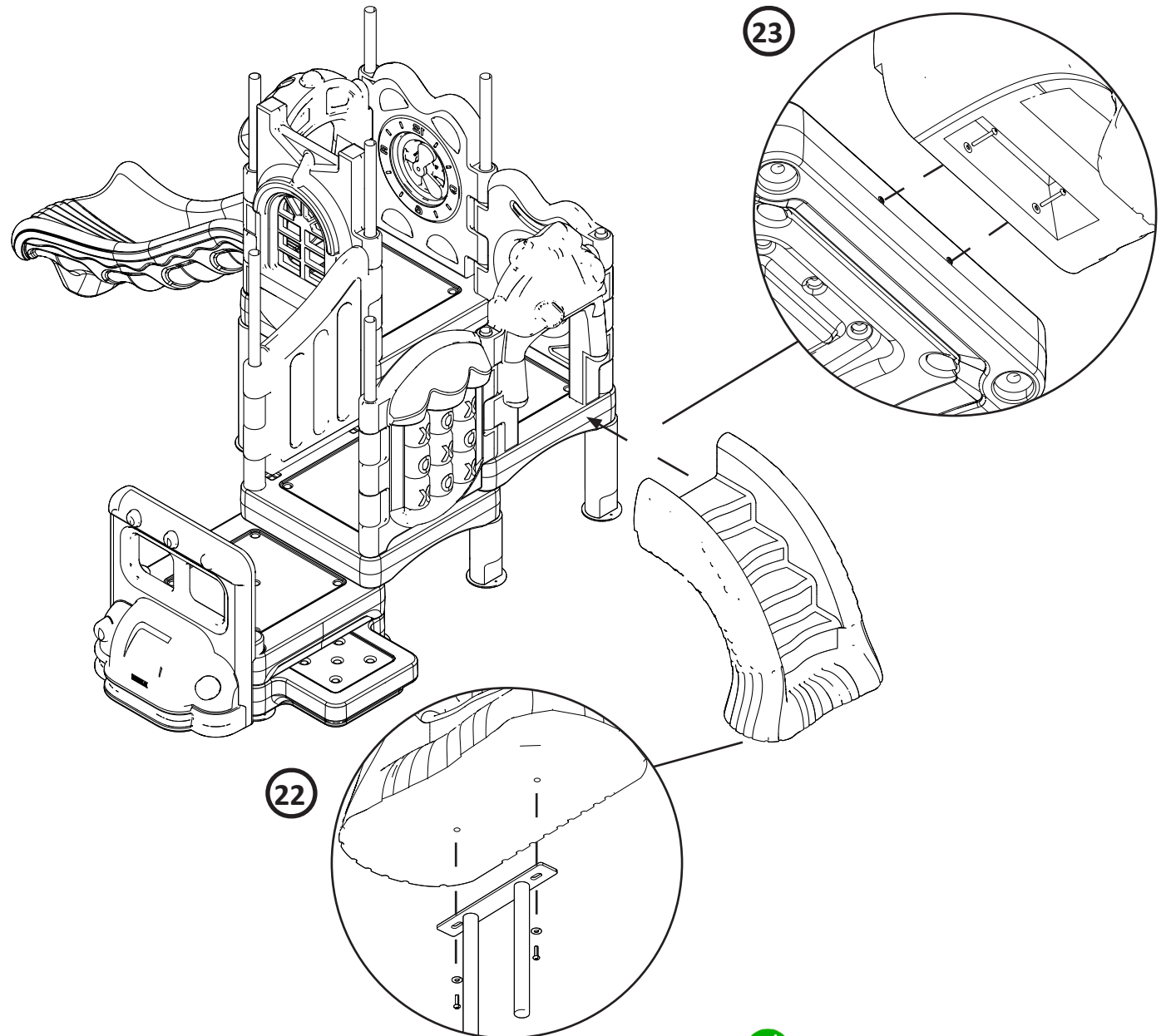
20 Attach the Slide End mount to the underside of the Slide using two (2) M8*20mm Bolts and two (2) M8 Washers.

21 Align the Slide with the Platform and the Slide Entrance panel and install using four (4) M10*45mm Bolts and four (4) M10 Washers.



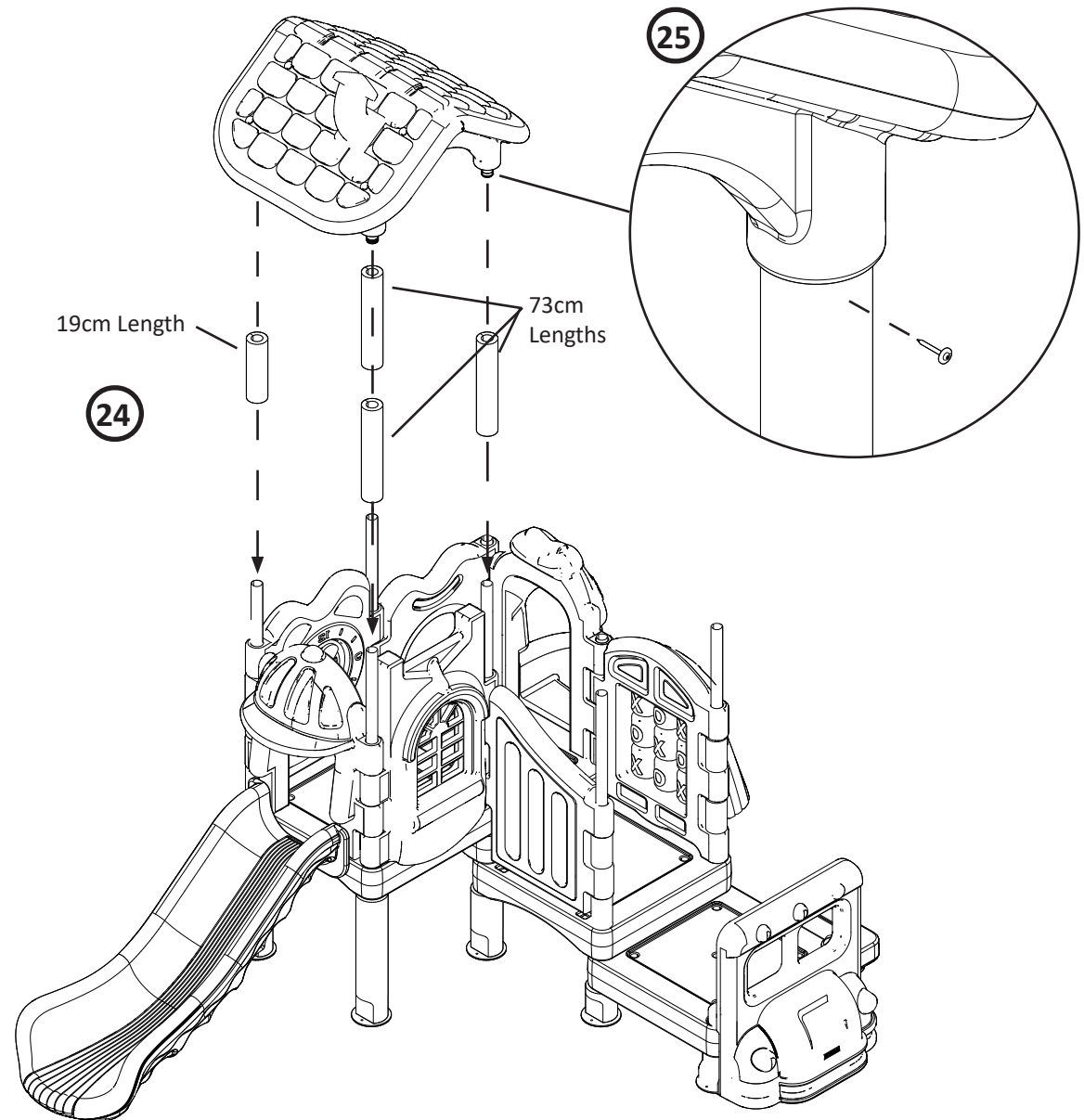
22 This step only applies if mounting using the surface mount or concrete in-ground mounting methods. Attach the mount to the bottom of the Fish Stair using two (2) M8*20mm Bolts and two (2) M8 Washers.

23 Align the Fish Stairs with the platform and the Fish Stair Entrance panel, and attach using two (2) M10*70mm Bolts.



24 Slide the Post Sleeves over the top of the four posts that will be used for the Roof. Pay careful attention to the lengths shown for each Post Sleeve.

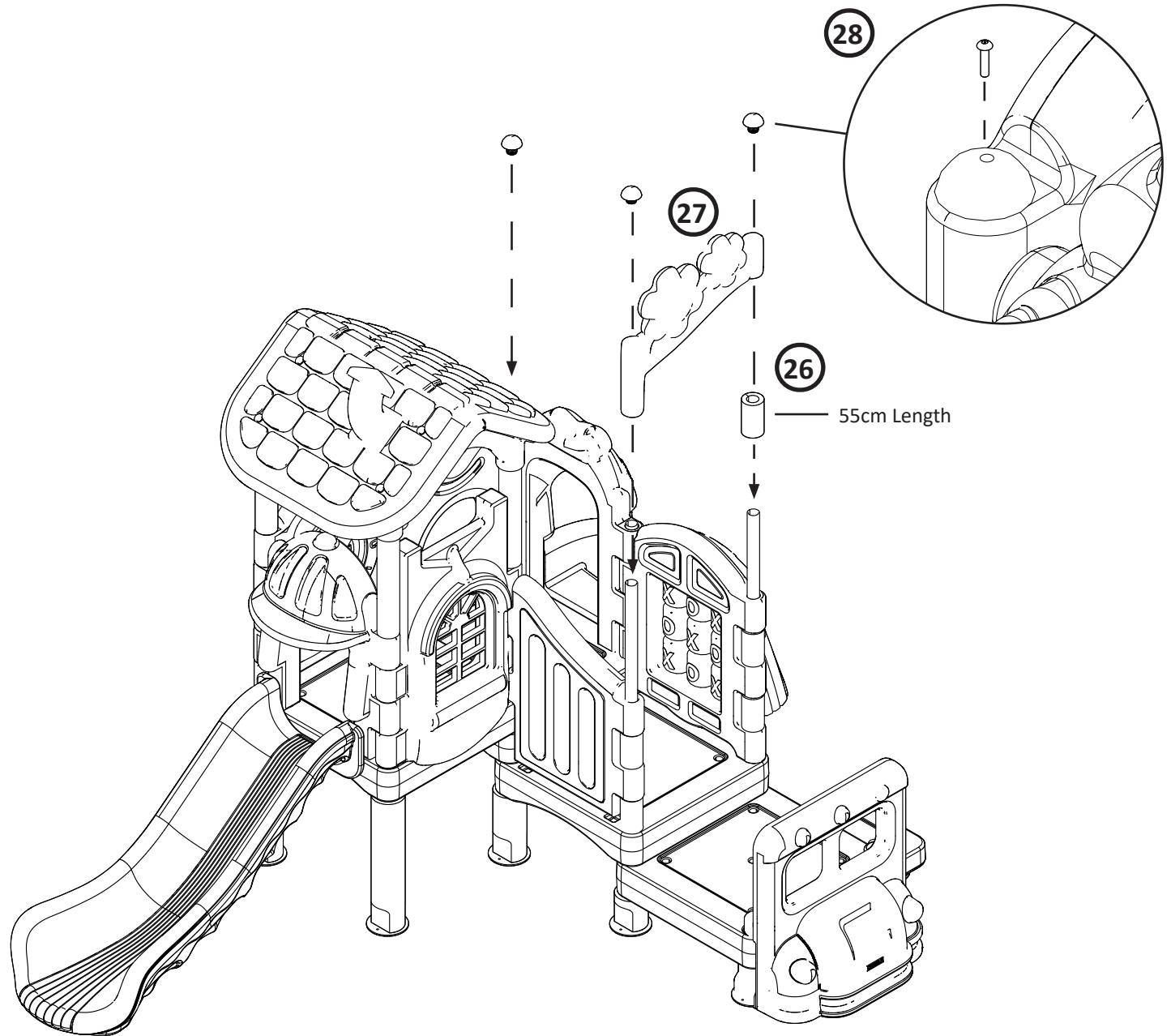
25 Install the Roof by inserting the pegs on the bottom of the Roof down into the openings of the top of the posts. Use the supplied self tapping screws to secure the Roof in place.



26 Slide the Post Sleeve down over the end of the indicated Post Base.

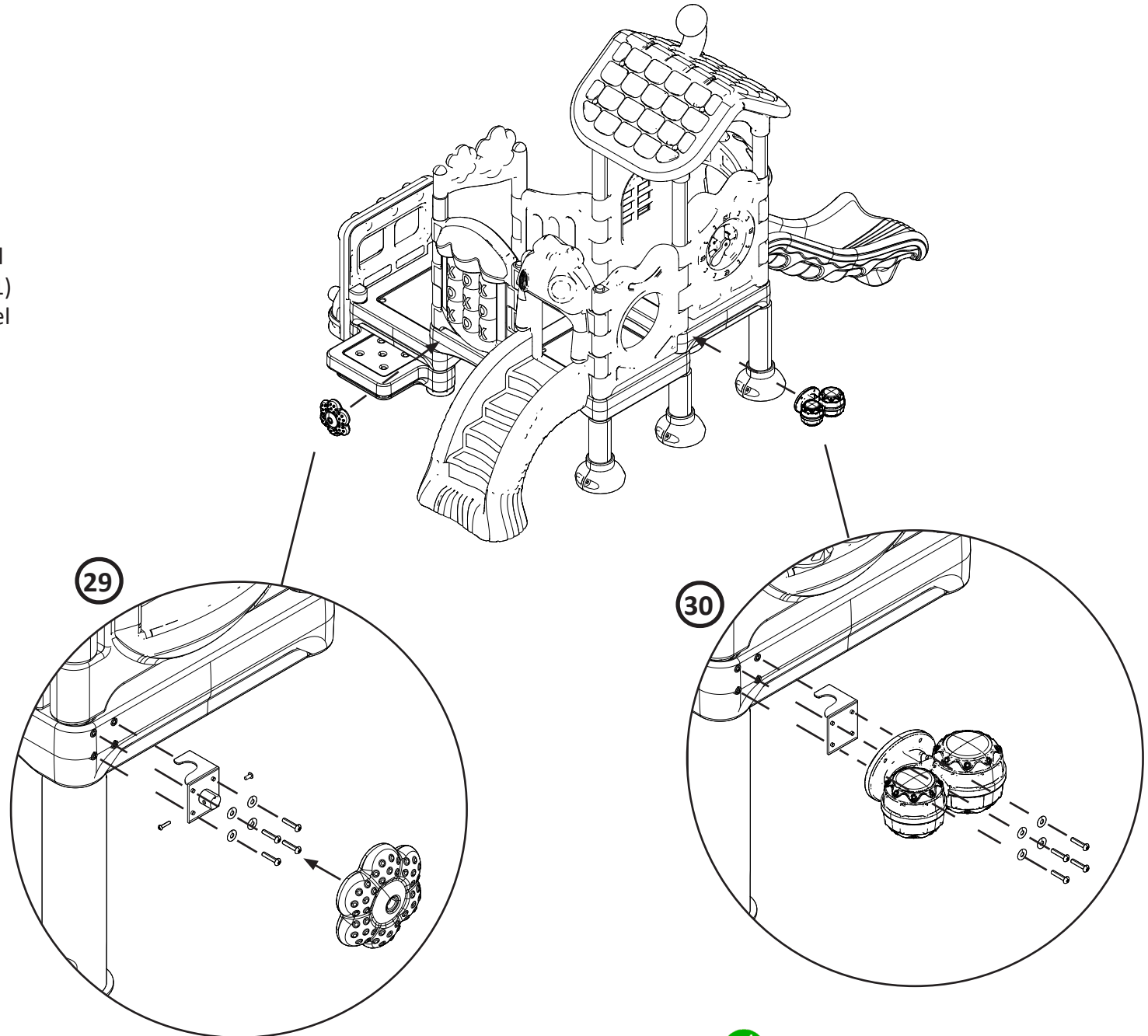
27 Install the Butterfly Buttress by sliding over the ends of the Post Bases.

28 Install Post Caps over the ends of the three un-capped Post Bases using three (3) M10*49mm Bolts.



29 Install the Rain Wheel using the installation bracket. Loop the hook of the installation bracket around the post by inserting it into the gap under the Tic-Tac-Toe panel. Attach the installation bracket using four (4) M10*25mm Bolts and four (4) M10 Washers. Then attach the Rain Wheel to the installation bracket with one (1) M8*25mm Bolt and one (1) M8 Barrel Nut.

30 Install the Bongo Drum using the installation bracket. Loop the hook of the installation bracket around the post by inserting it into the gap between the platform and the Clock Panel. Attach using four (4) M10*25mm Bolts and four (4) M10 Washers.



- 31** Once the structure has been confirmed to be in the correct location, has been attached to any footings, or by using the mounting stakes; install the Foot Covers. The Foot Covers slide around the base of the post, and are attached using two (2) M8*40mm Bolts, four (4) M8 Washers, and two (2) M8 Barrel Nuts, for each Foot Cover.

