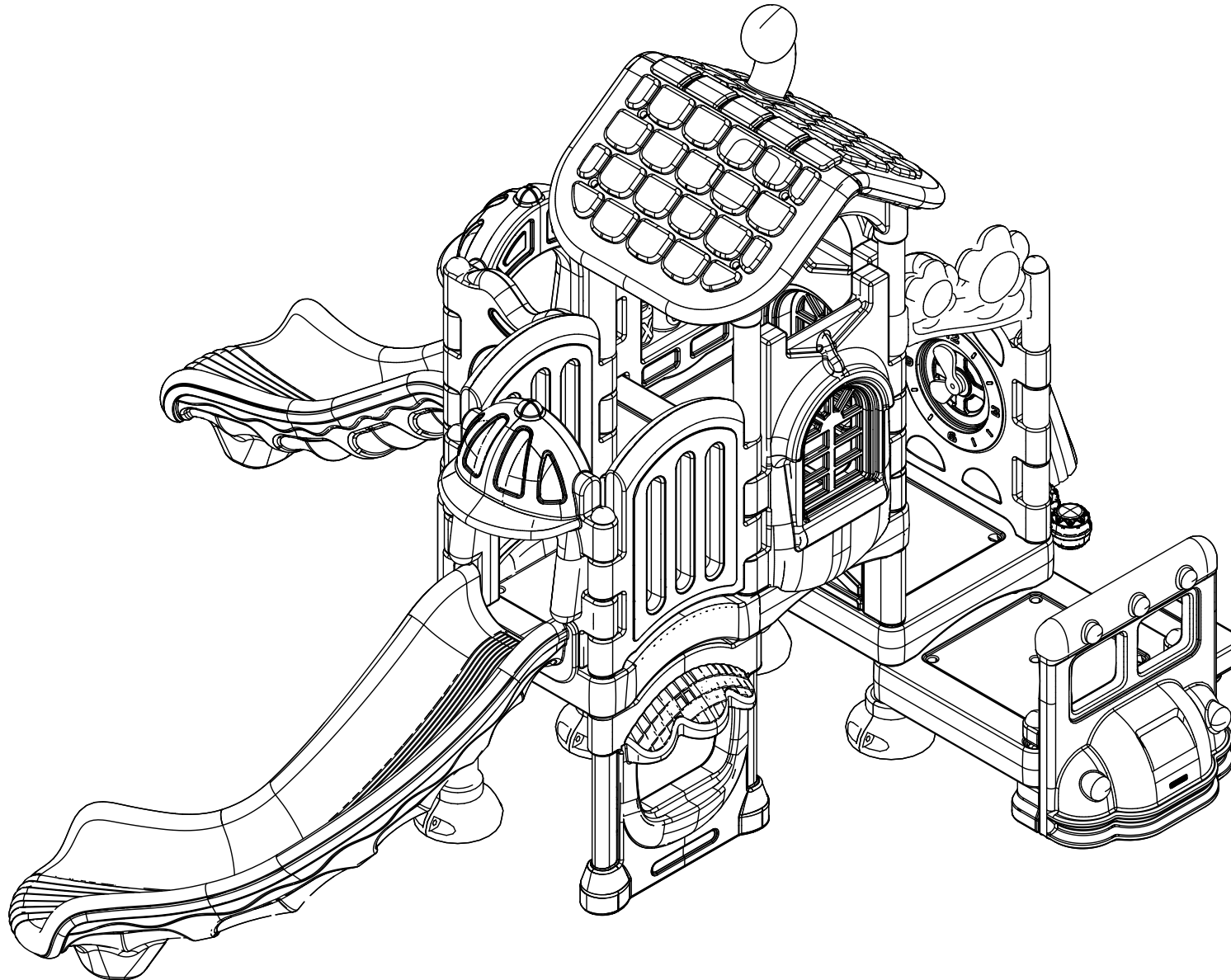
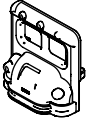
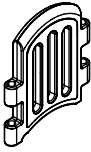
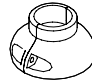
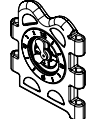
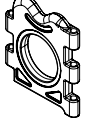

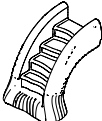


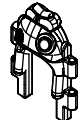


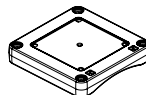

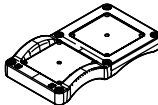


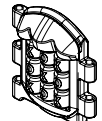
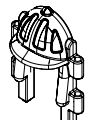
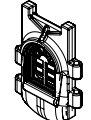

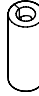



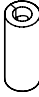












Starbright Imagination Station

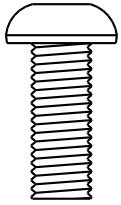
PCE003



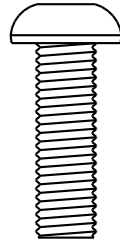
Car Panel	Qty: 1		Line Panel	Qty: 2		Foot Cover	Qty: 8	
Clock Panel	Qty: 1		See Through Panel	Qty: 1		Bongos	Qty: 1	
Fish Stair	Qty: 1		Chimney Roof	Qty: 1		Rain Wheel	Qty: 1	
Fish Stair Panel	Qty: 1		Step	Qty: 1		Post Top: 68cm	Qty: 2	
Platform	Qty: 4		Single Slide	Qty: 1		Post Top: 69cm	Qty: 1	
Arch Platform	Qty: 4		Turn Slide	Qty: 1		Post Top: 70cm	Qty: 1	
Butterfly Buttress	Qty: 1		Tic Tac Toe Panel	Qty: 1		Post Top: 88cm	Qty: 1	
Hard Hat Panel	Qty: 2		Window Panel	Qty: 2		Post Top: 89cm	Qty: 1	

Post Top: 139cm	Qty: 4		Post Sleeve Top: 19cm	Qty: 19	
Post Base: 44cm	Qty: 2		Post Sleeve Top: 55cm	Qty: 1	
Post Base: 80cm	Qty: 2		Post Sleeve Top: 73cm	Qty: 3	
Post Base: 100cm	Qty: 2		Post Sleeve Base: 25cm	Qty: 1	
Post Base: 120cm	Qty: 6		Post Sleeve Base: 44cm	Qty: 1	
Post Base: 187cm	Qty: 1		Post Sleeve Base: 64cm	Qty: 2	
Slide Mount	Qty: 2		Post Sleeve Base: 83cm	Qty: 2	
Turn Slide Middle Mount	Qty: 1		Post Sleeve Base: 102cm	Qty: 1	

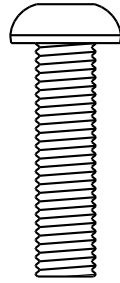
M8*20mm



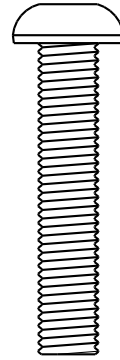
M8*25mm



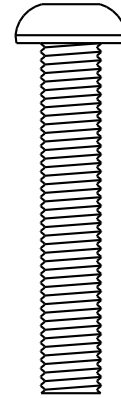
M8*30mm



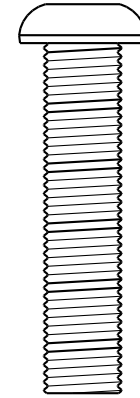
M8*40mm



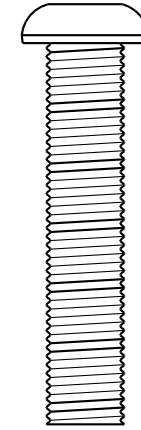
M8*45mm



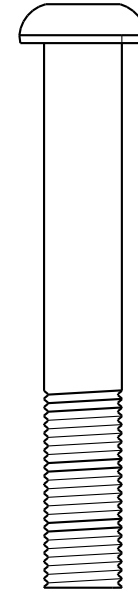
M10*45mm



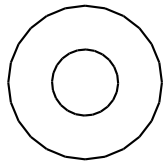
M8*49mm



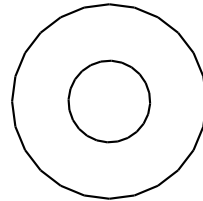
M8*70mm



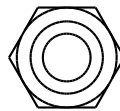
M8 Washer



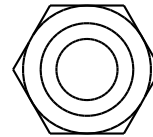
M10 Washer



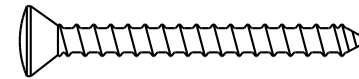
M8 Lock Nut



M10 Lock Nut



Self Tapping Screw



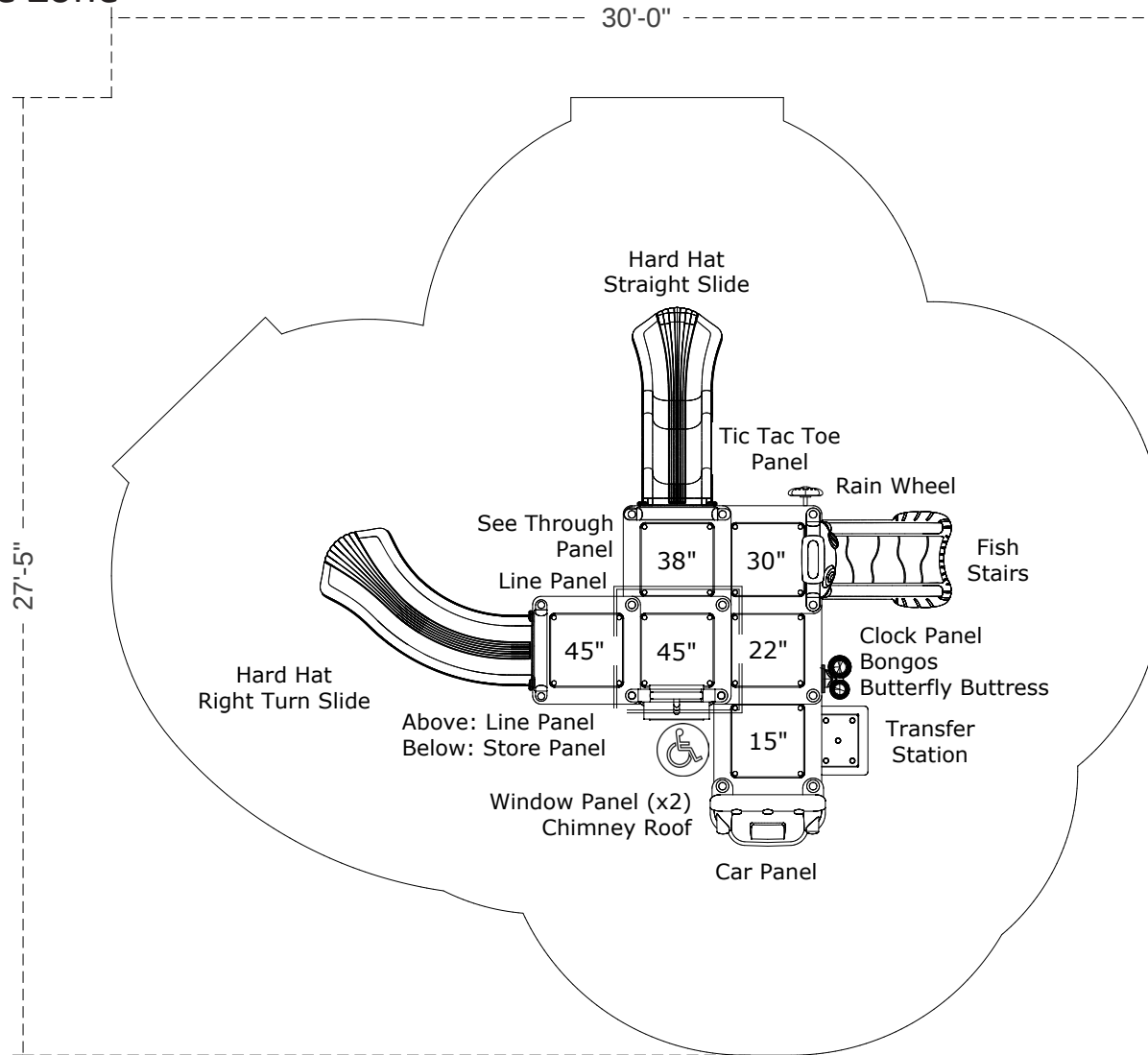
Material Specifications:

Posts - Aluminium

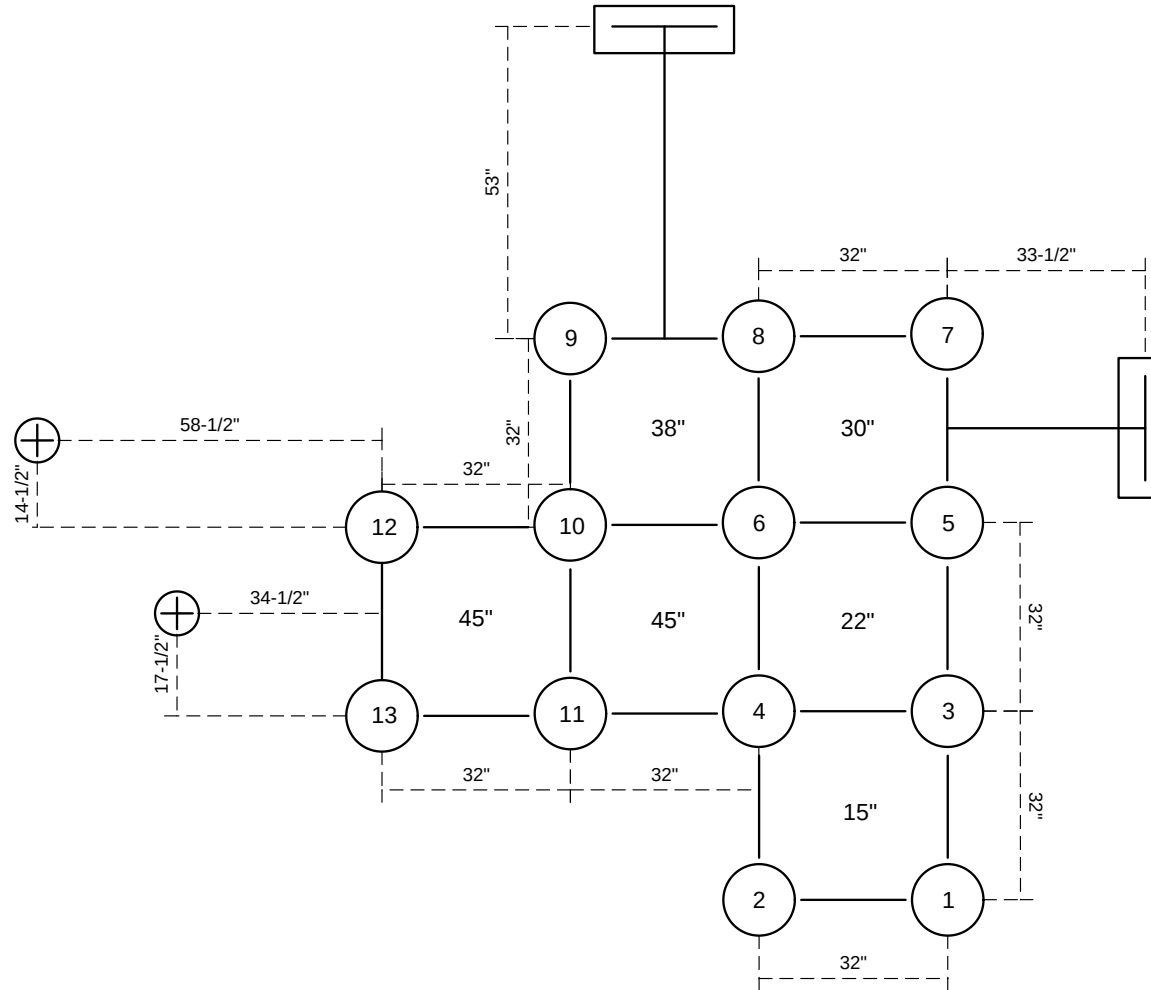
Plastics - Low Density Polyethylene, Rotational and Blow Moulded

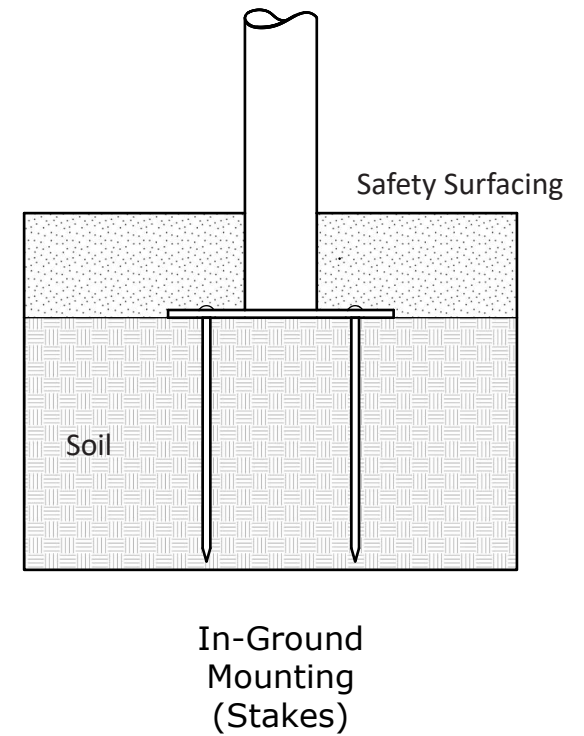
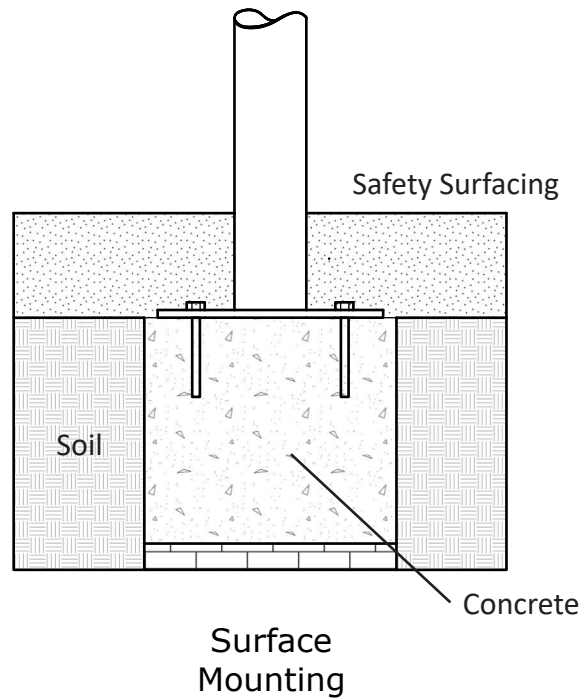
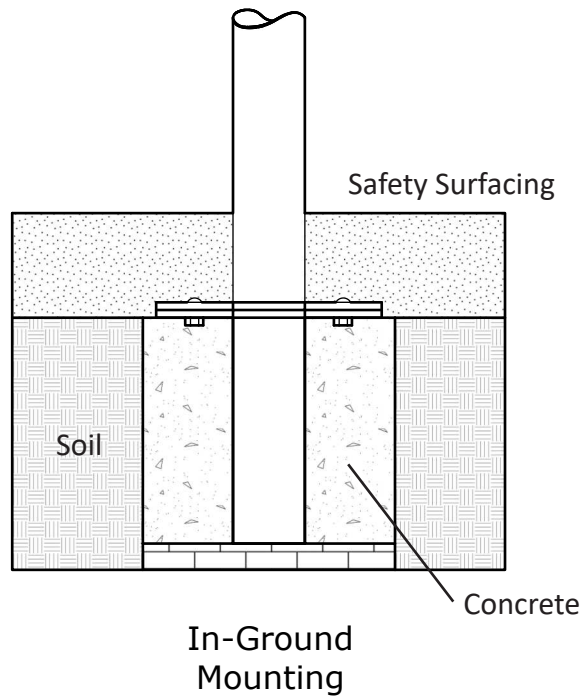
Hardware - Stainless Steel

Overhead Layout and Use Zone



Footing Layout Diagram





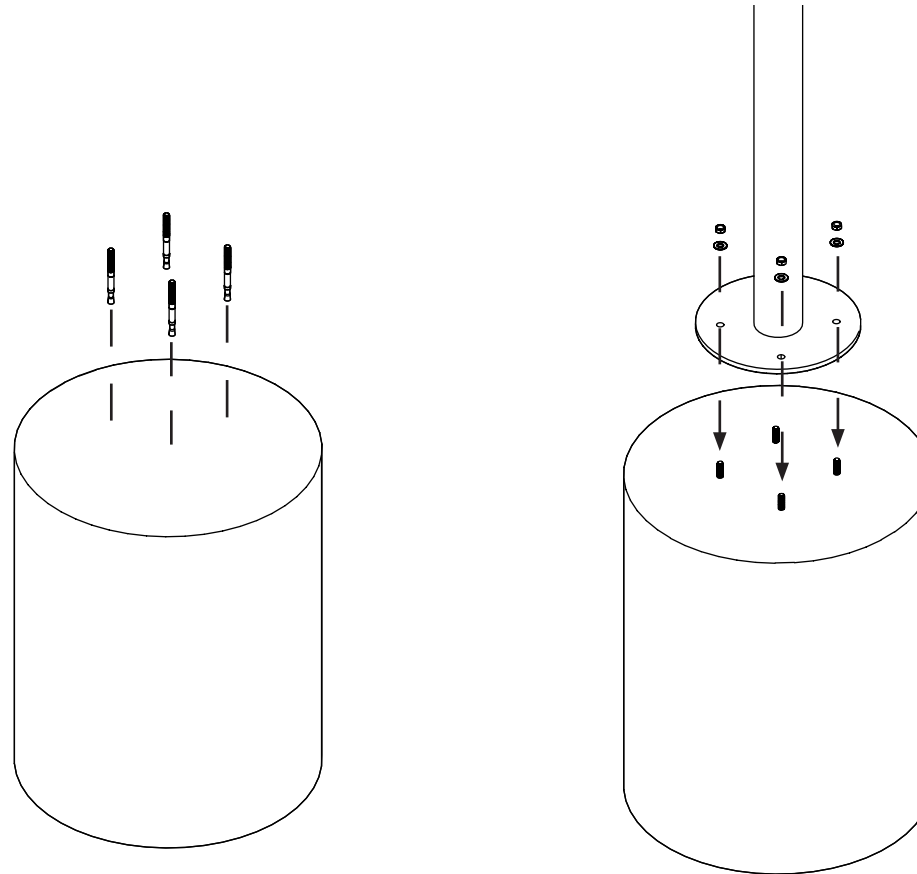
Standard Mounting Option

The standard base mounting option is surface mount.

To surface mount the Imagination Station, select a suitable mounting surface. This is usually a pre-existing concrete slab of at least 4" of thickness large enough to accommodate the equipment, or custom poured footings 12" diameter x 18" depth for each post.

Using the post base as a template, mark and drill the concrete to install the concrete anchors. Once the anchors are inserted, place the post over the anchors and tighten down.

Concrete Anchors Not Included.
Specific instructions for the concrete anchors may vary, and it is recommended to follow the instructions provided by the anchor manufacturer.

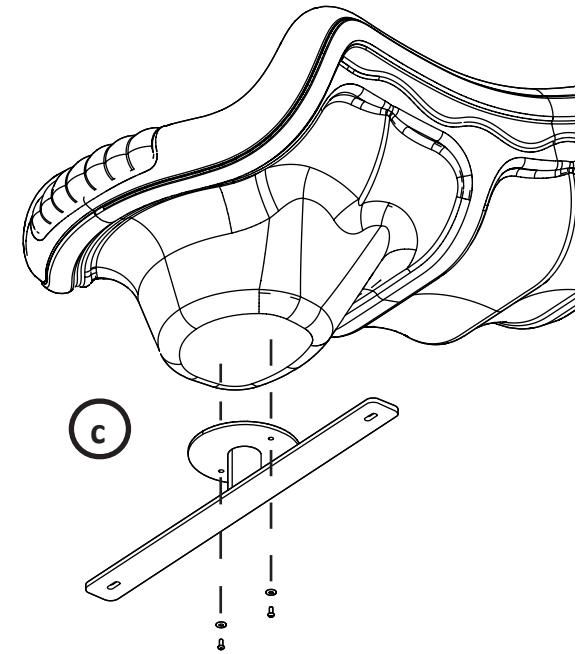
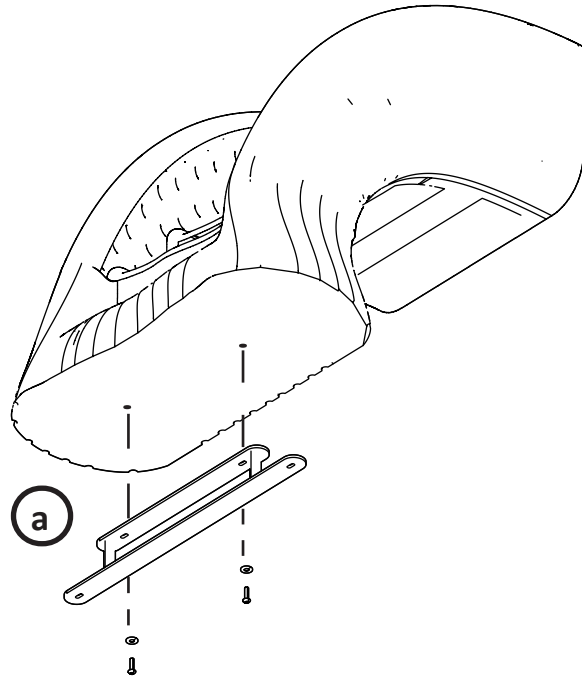
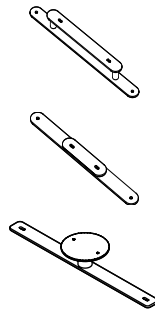


Premium Surface Mount Kit
(Sold Separately)

Fish Stair Mount Qty: 1

Step Mount Qty: 1

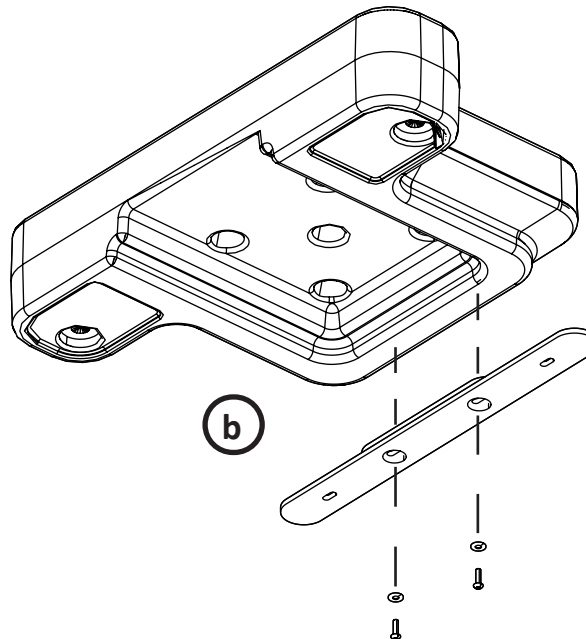
Slide End Mount Qty: 2



a Attach the Fish Stair Mount using two (2) M8*20mm Bolts and two (2) M8 Washers.

b Attach the Step Mount to the bottom of the Step using two (2) M8*20mm Bolts and two (2) M8 Washers.

c Attach the Slide End mount to the underside of the Slide using two (2) M8*20mm Bolts and two (2) M8 Washers.



To surface mount the Imagination Station, select a suitable mounting surface. This is usually a pre-existing concrete slab of at least 4" of thickness large enough to accommodate the equipment, or custom poured footings 12" diameter x 18" depth for each post.

Concrete Anchors Not Included.
Specific instructions for the concrete anchors may vary, and it is recommended to follow the instructions provided by the anchor manufacturer.

In-Ground Mounting Kit
(Sold Separately)

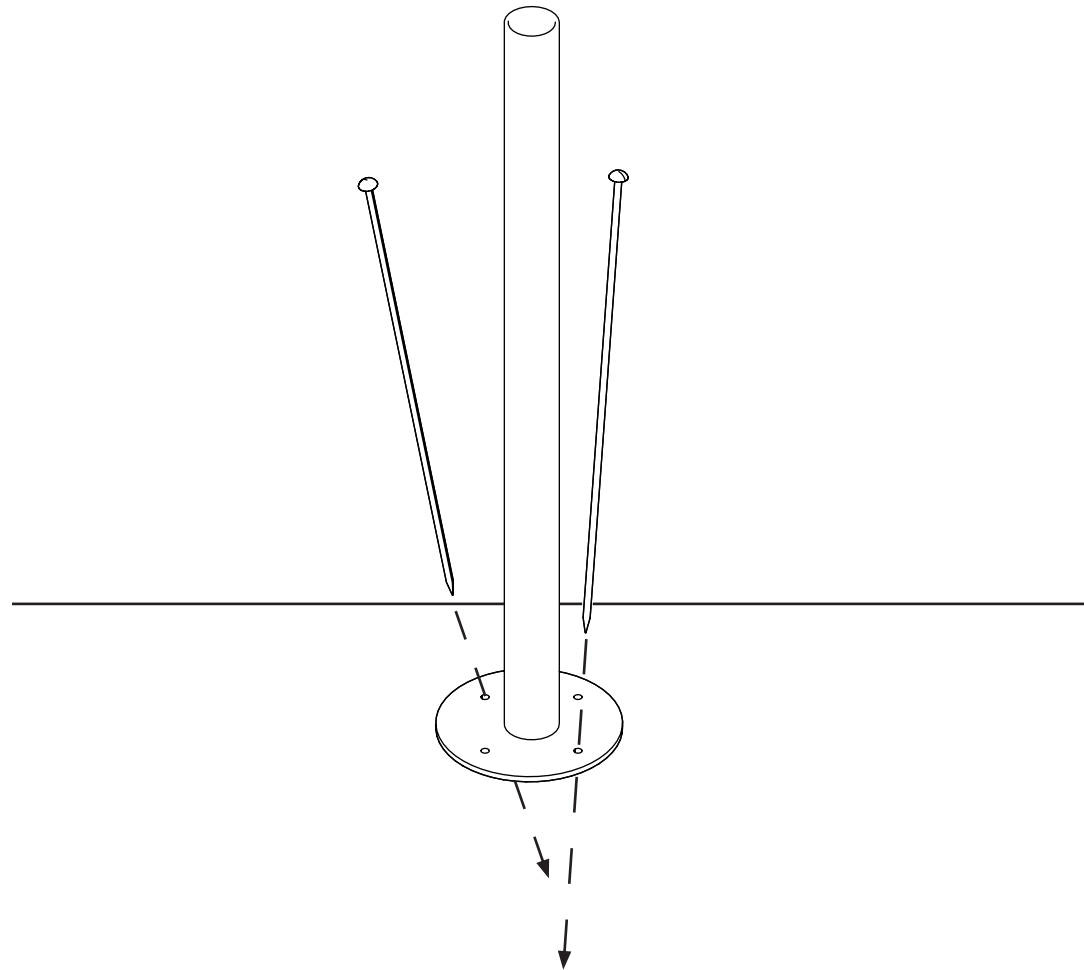
Mounting Stake

Qty: 26




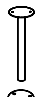



The Mounting Stakes are used to mount the Imagination Station in an a grass or soil heavy area without the need to dig and pour concrete footings.

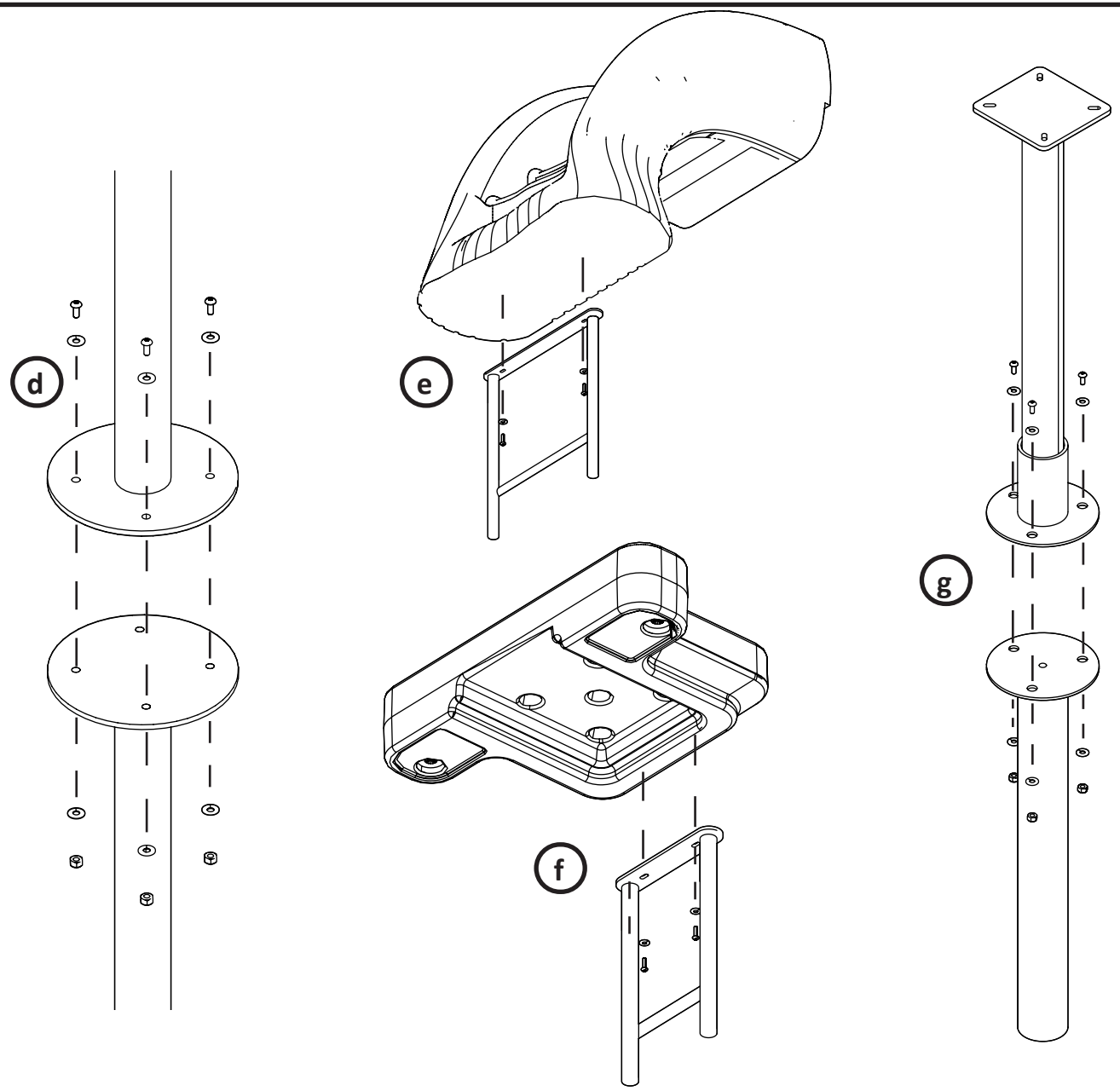
Hammer two of the Mounting Stakes into the ground for each of the main posts. Be sure to install the stakes at varying angles to help prevent them from loosening over time.



Premium In-Ground Mounting Kit
(Sold Separately)

Post Mounts	Qty: 13	
Fish Stair Mount	Qty:1	
Step Mount	Qty: 1	
Slide End Mount	Qty:2	
Turn Slide Middle Mount	Qty: 1	

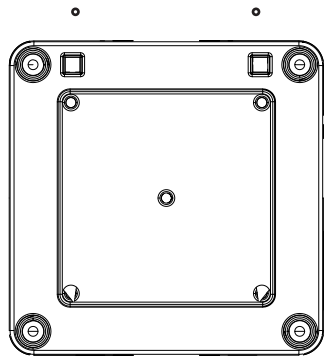
- d** Attach the Post Mounts to the base of the main posts using four (4) M10*25mm Bolts, eight (8) M10 Washers, and four (4) M10 Lock Nuts
- e** Attach the Fish Stair Mount to the bottom of the Fish Stair using two (2) M8*20mm Bolts and two (2) M8 Washers.
- f** Attach the Step Mount to the bottom of the Step using two (2) M8*20mm Bolts and two (2) M8 Washers.
- g** Attach the Turn Slide Middle Mount to the standard mount for the turn slide using three (3) M10*25mm Bolts, six (6) M10 Washers, and three (3) M10 Lock Nuts



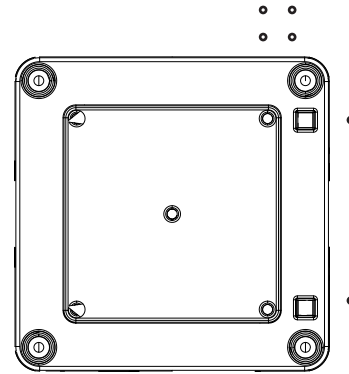
Dig 12" diameter x 18" depth holes for the footings. Place the equipment with attached in-ground mounts into the holes and secure in place using ropes or straps. Pour concrete and let cure.

Platform Layout Diagram

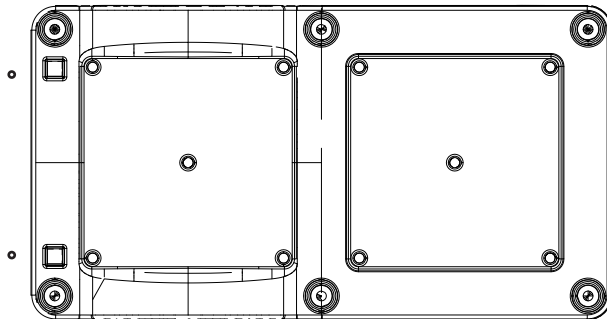
Threaded Inserts for
Single Slide



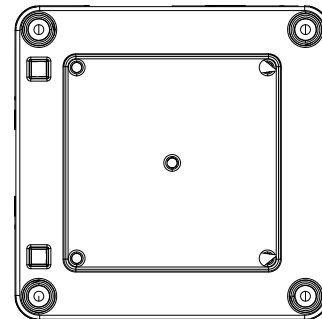
Threaded Inserts for
Rain Wheel



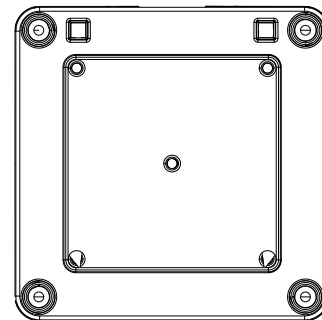
Threaded Inserts for
Fish Stairs



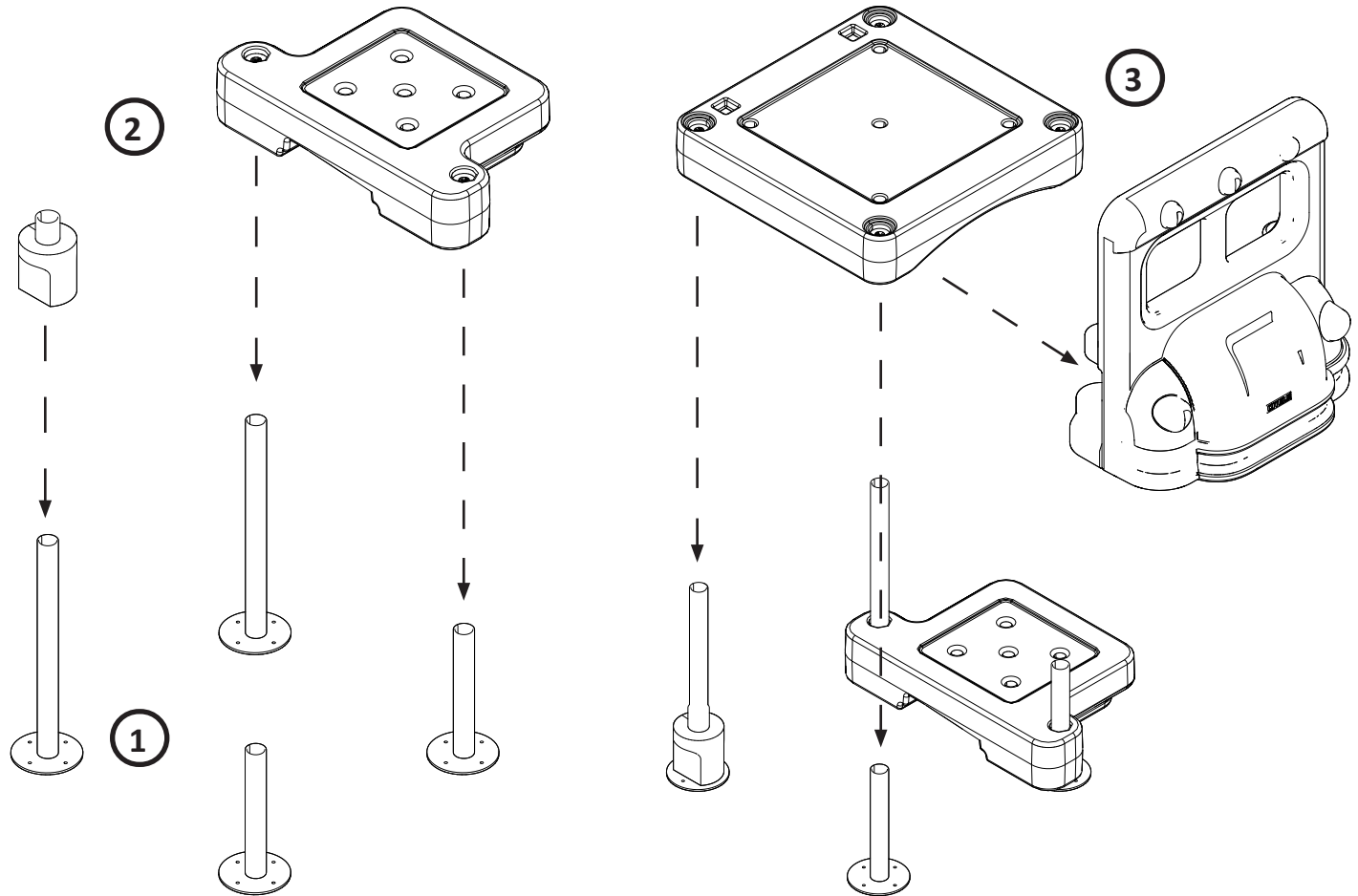
Threaded Inserts for
Turn Slide



Threaded Inserts for
Bingos



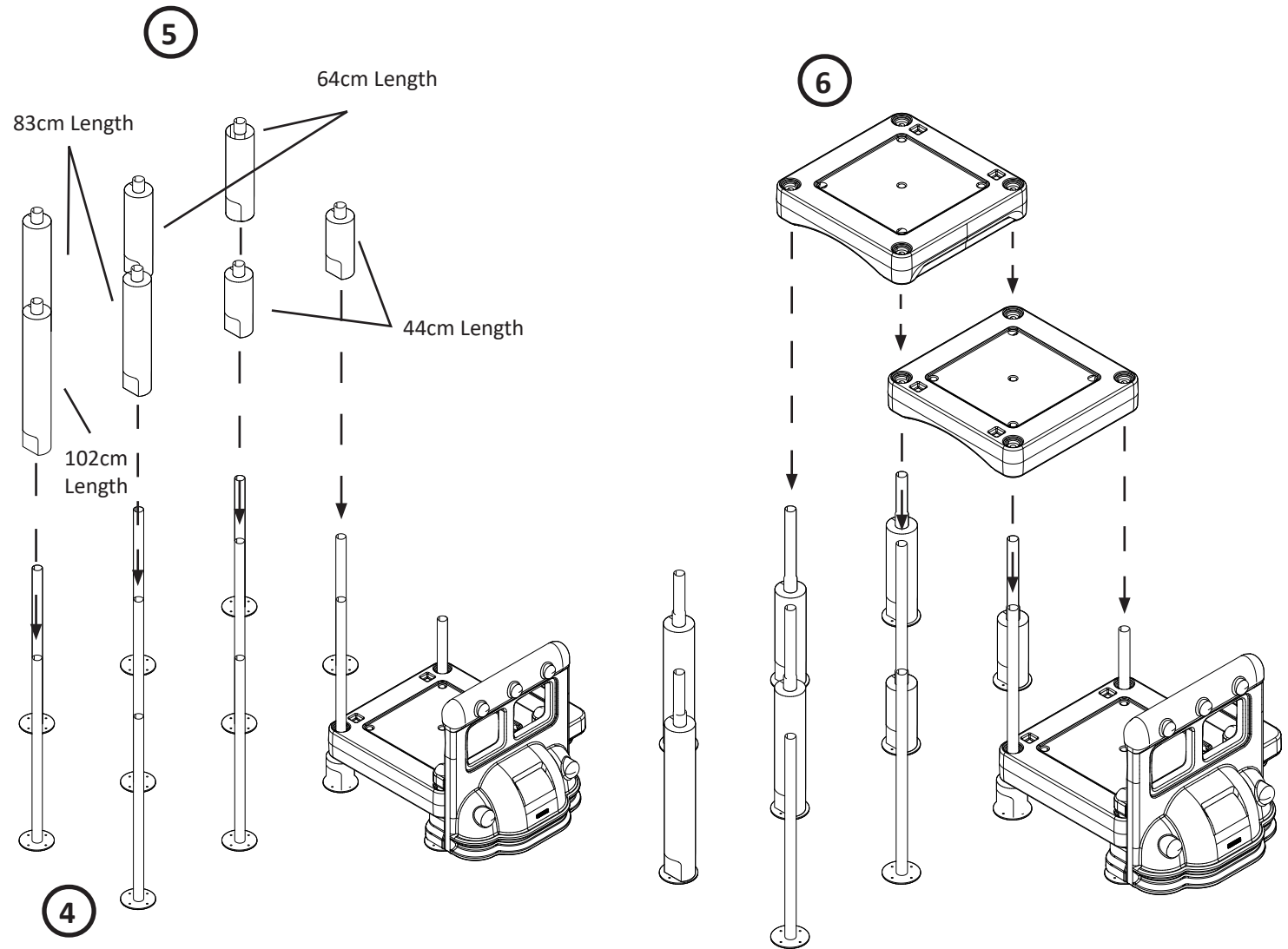
- 1 Set out the first four Post Bases following the dimensions listed in the footer layout diagram. (posts 1, 2, 3, 4)
- 2 Slide the Single Step and the 15cm Post Sleeve down over the tops of the Post Bases.
- 3 Fit the Car Panel onto the edge of the Platform, then lower the two pieces down over the tops of the Post Bases.



- 4** Lay out the remaining nine Post Bases by following the dimensions and layout in the Footer Layout diagram.

- 5** Install the seven Sleeve Bases by sliding them down over the tops of the remaining Post Bases.

- 6** Install two Platforms by sliding them down over the tops of the Post Bases. Pay careful attention to the orientation of each platform (refer to the Platform Layout diagram)

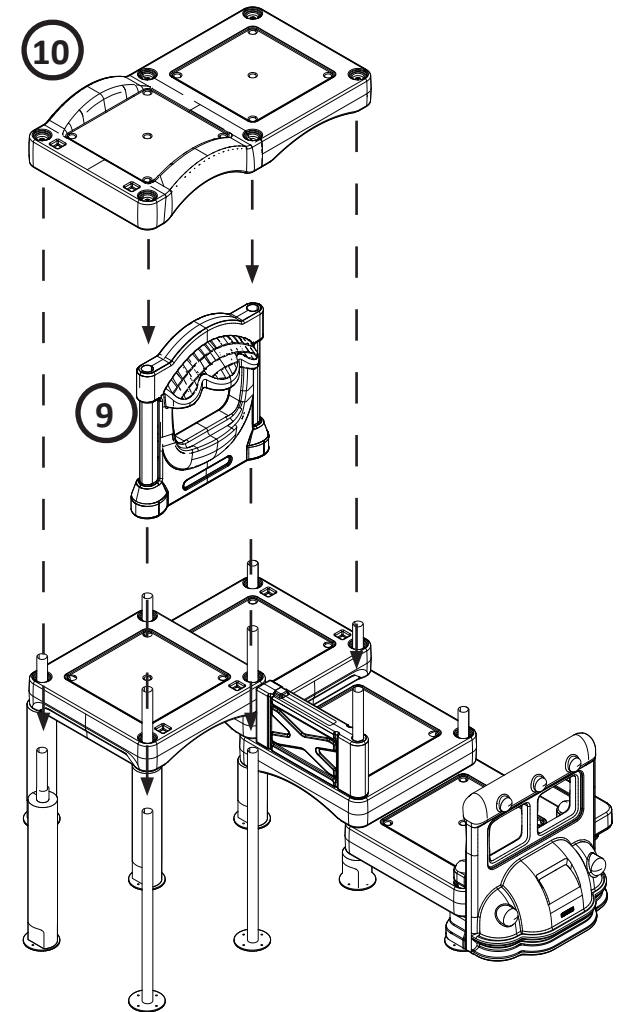
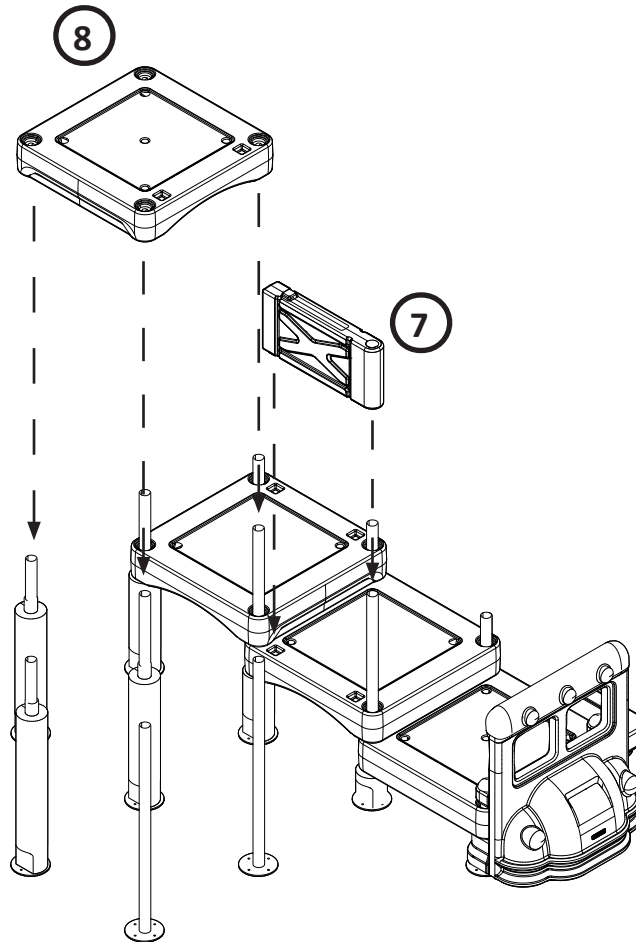


- 7 Install the Small Barrier Panel by sliding it over the protruding end of the Post Base and fitting it into the notch on the Platform.

- 8 Install the fourth Platform by sliding it down over the protruding ends of the Post Bases.

- 9 Slide the Store Panel down over the two remaining empty Post Bases.

- 10 Install the Combination Platform by sliding down over the protruding ends of the Post Bases, and on top of the Store Panel.

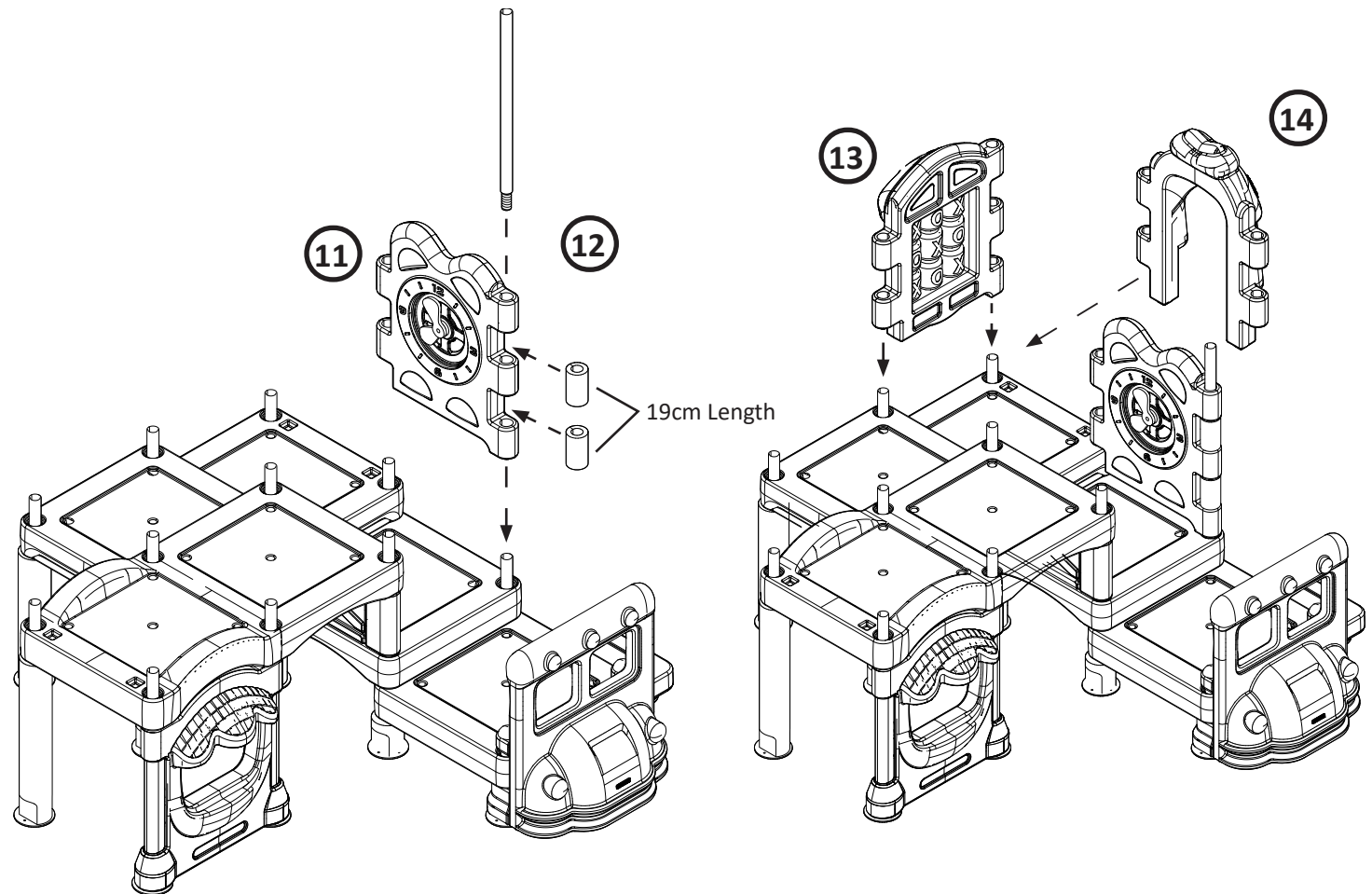


- 11 Install the Clock Panel by sliding down over the protruding ends of the Post Bases.

- 12 Insert the Post Sleeves into the open slots of the Clock Panel, and insert the top portion of the Post Base down through the Clock Panel. Turn the post to thread into the base portion of the Post Base.

- 13 Install the Tic Tac Toe Panel over the protruding ends of the Post Bases.

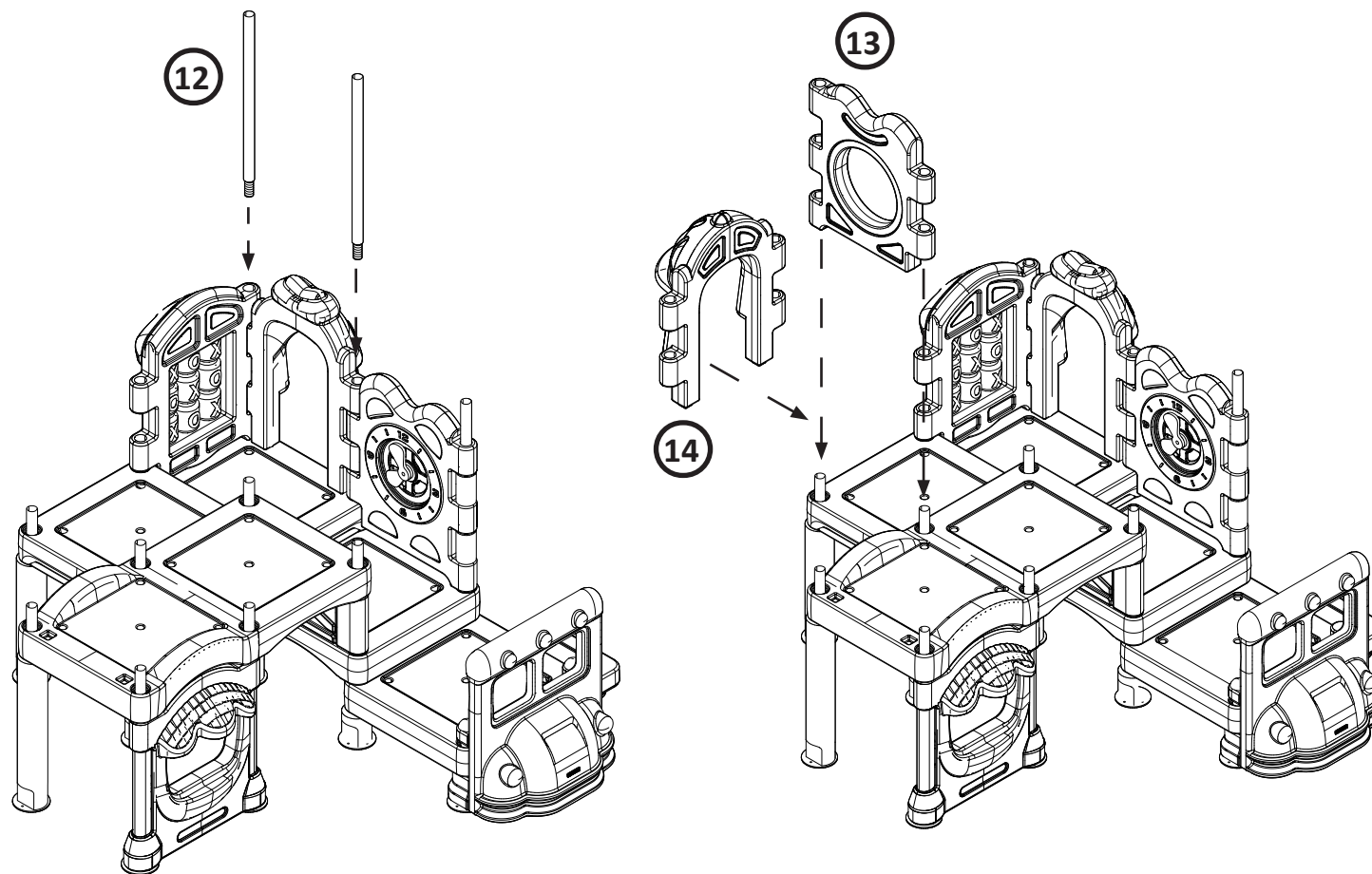
- 14 Insert the Fish Stair Panel into the open notches of the Clock and Tic Tac Toe Panels, and inserting into the openings on the Platform.



12 Insert the Post Tops down through the openings on both sides of the Fish Stair Panel. Turn the posts to thread and tighten into the Post Bases.

13 Slide the See Through Panel down over the protruding ends of the Post Bases.

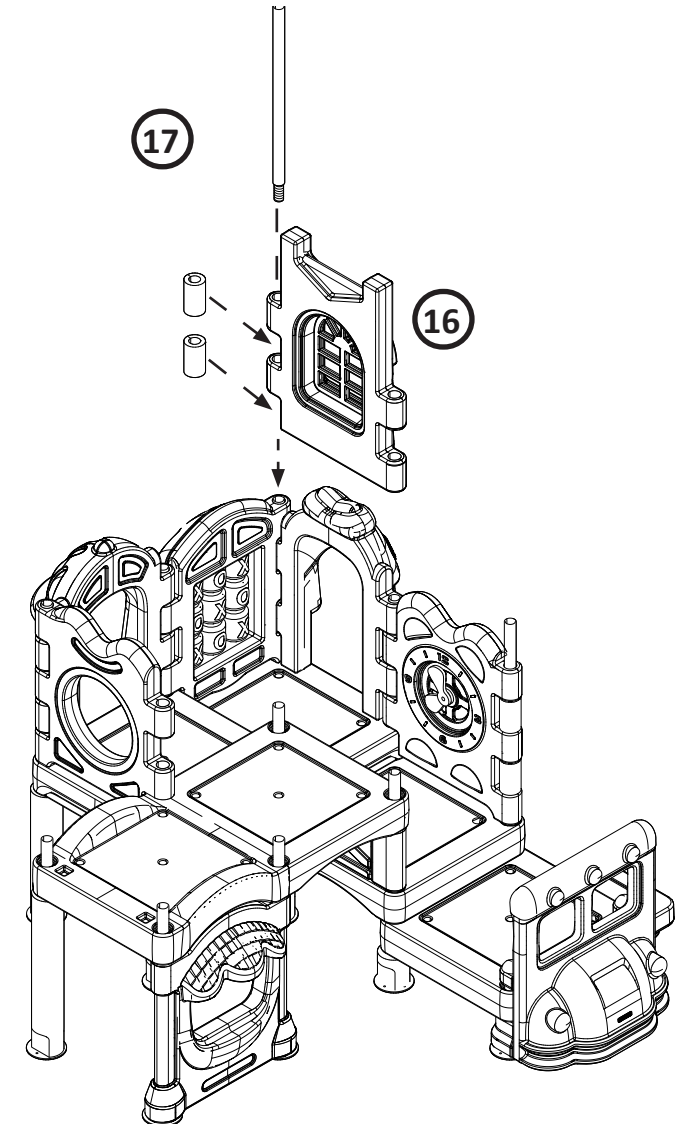
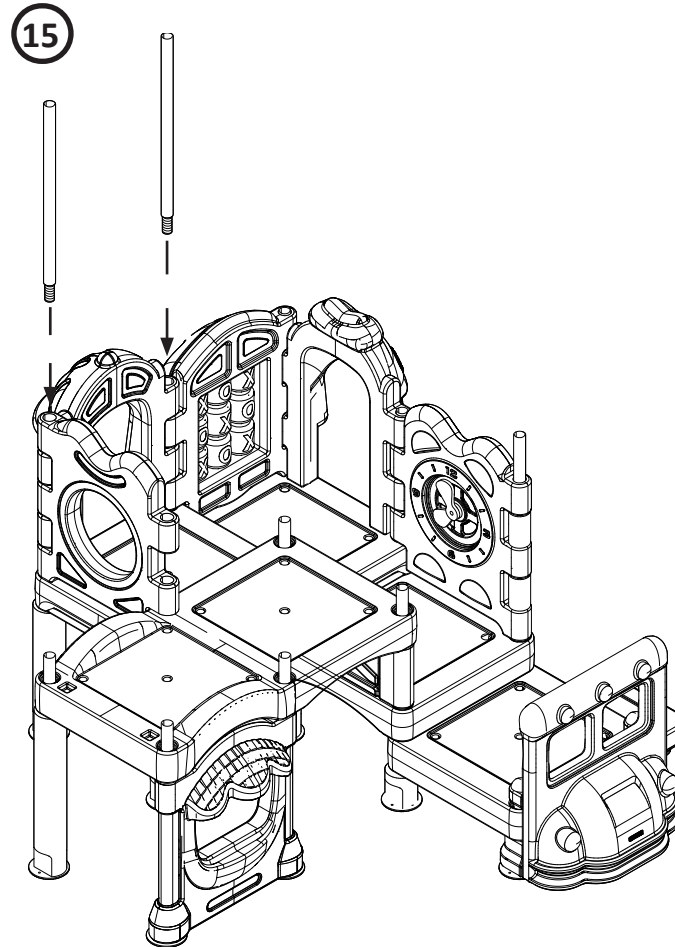
14 Insert the Hard Hat Panel into the open notches of the See Through and Tic Tac Toe Panels.



15 Insert two Post Tops down through the openings in both sides of the Hard Hat Panel. Turn the posts to thread and tighten into the Post Bases.

16 Install the Window Panel by sliding down over the protruding ends of the Post Bases.

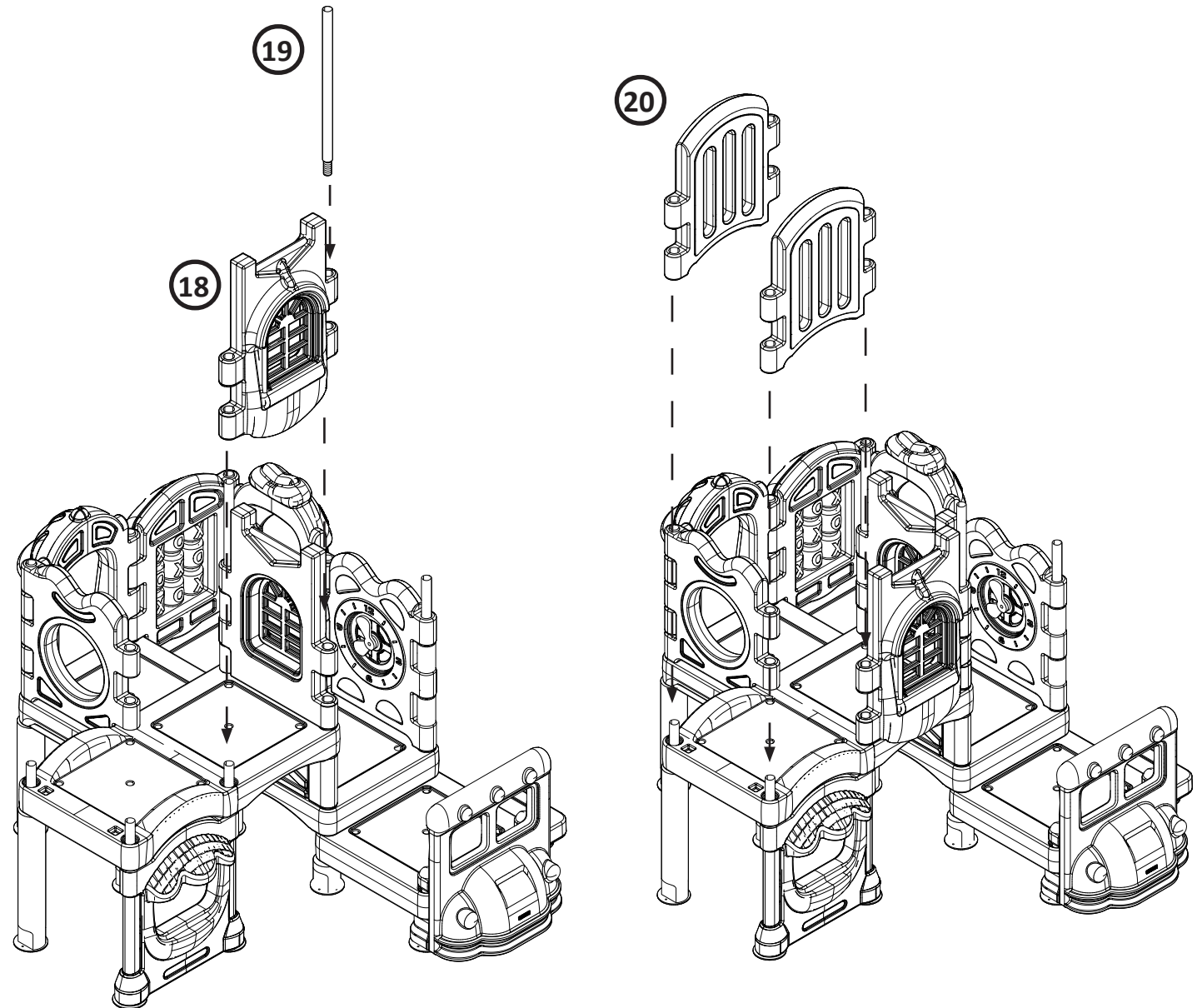
17 Slide the Post Sleeves into the open notches of the Window Panel, and insert the Post Tops down through the panel and sleeves. Turn the post to thread and tighten to the Post Base.



- 18** Install the second Window Panel by sliding it down over the protruding end of the Post Base, and rotate into place by interlocking the notches with the corresponding ones on the other Window Panel.

- 19** Insert the top half of the Post Base down through the openings of both Window Panels. Turn the post to thread and tighten into the base portion of the Post Base.

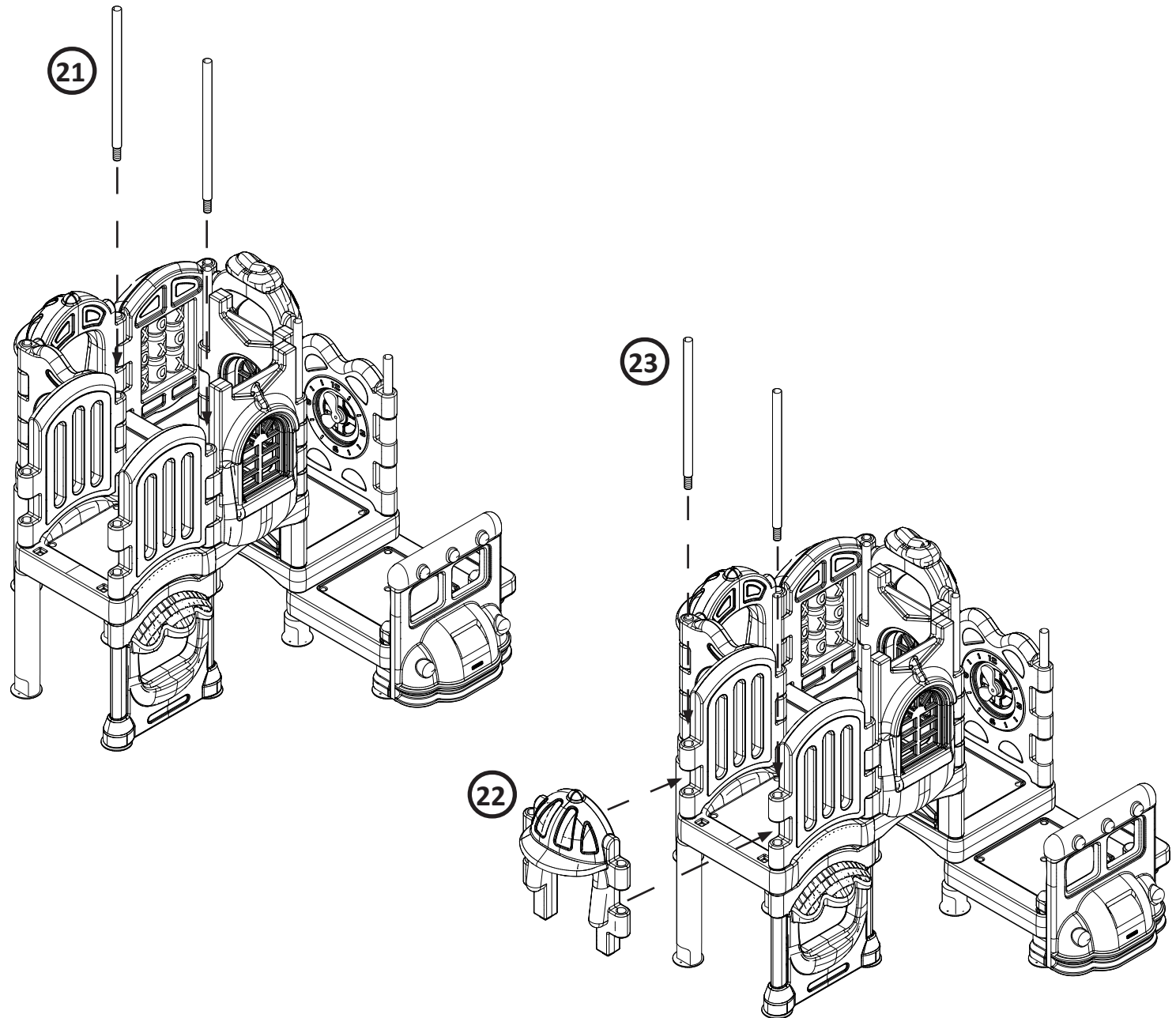
- 20** Slide the two Arch Line Panels down over the protruding ends of the Post Bases, and rotate to interlocking positions with the adjacent See Through and Window Panels.



- 21** Insert two Post Tops down into the slots of the Arch Barrier Panels. Turn the posts to thread and tighten to the Post Bases.

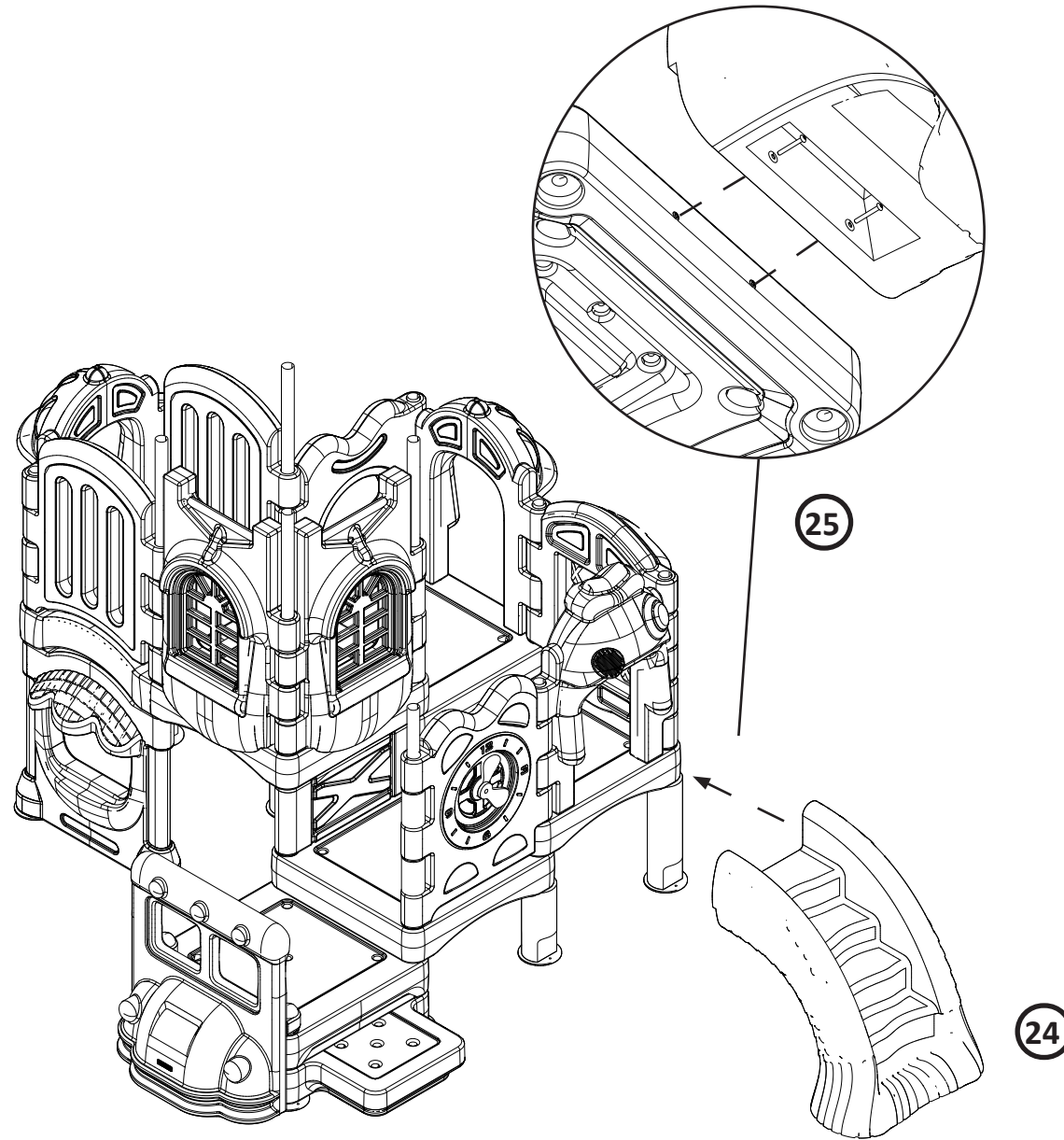
- 22** Slide the Hard Hat Panel into the open notches of the two Arch Barrier Panels, and into the openings of the Platform.

- 23** Insert two Post Tops down into the openings on both sides of the Hard Hat Panel. Turn the posts to thread and tighten to the Post Bases.



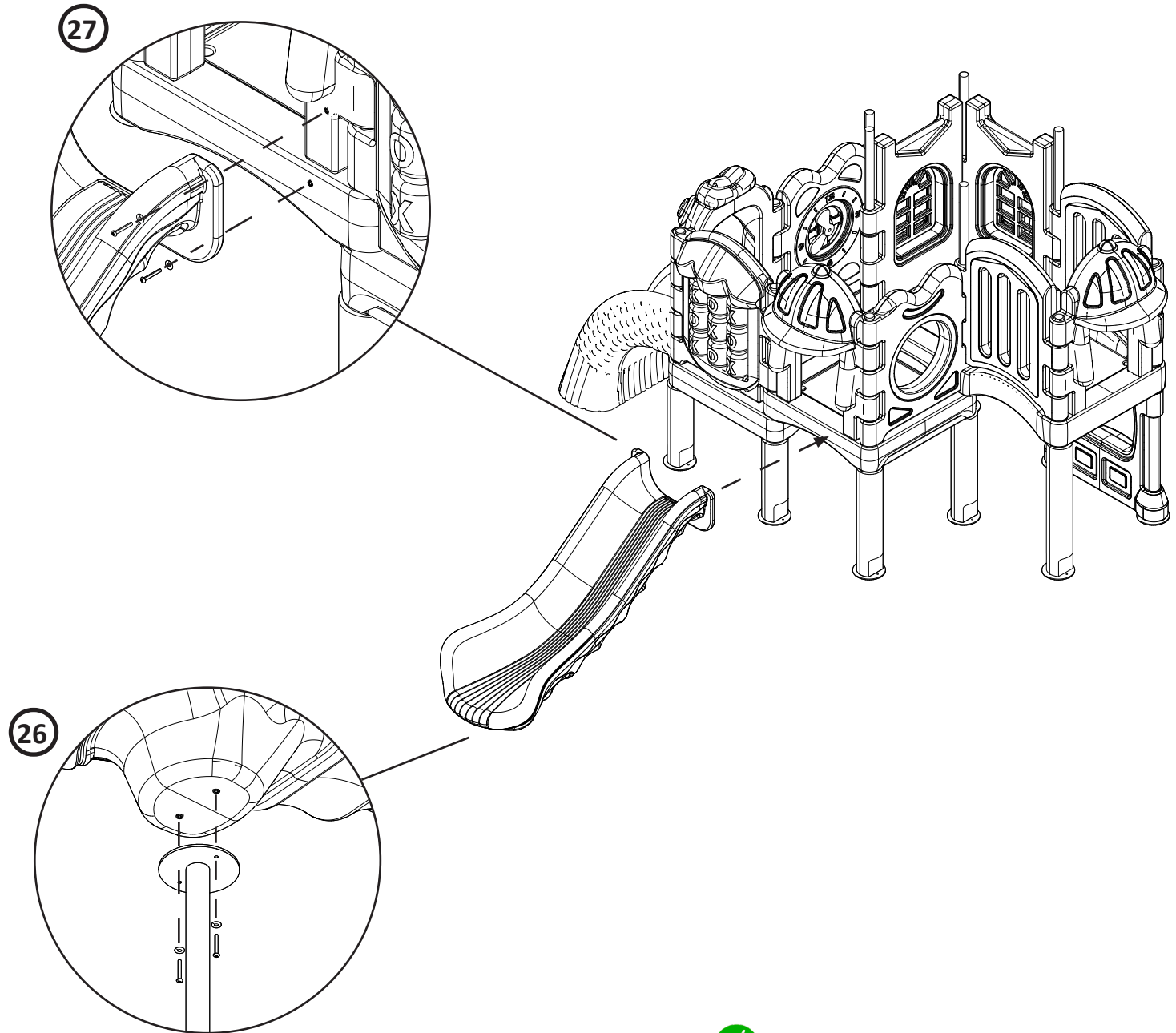
24 This step only applies if mounting using the surface mount or concrete in-ground mounting methods. Attach the mount to the bottom of the Fish Stair using two (2) M8*20mm Bolts and two (2) M8 Washers.

25 Align the Fish Stairs with the platform and the Fish Stair Entrance panel, and attach using two (2) M10*70mm Bolts.



26 Attach the Slide End mount to the underside of the Slide using two (2) M8*20mm Bolts and two (2) M8 Washers.

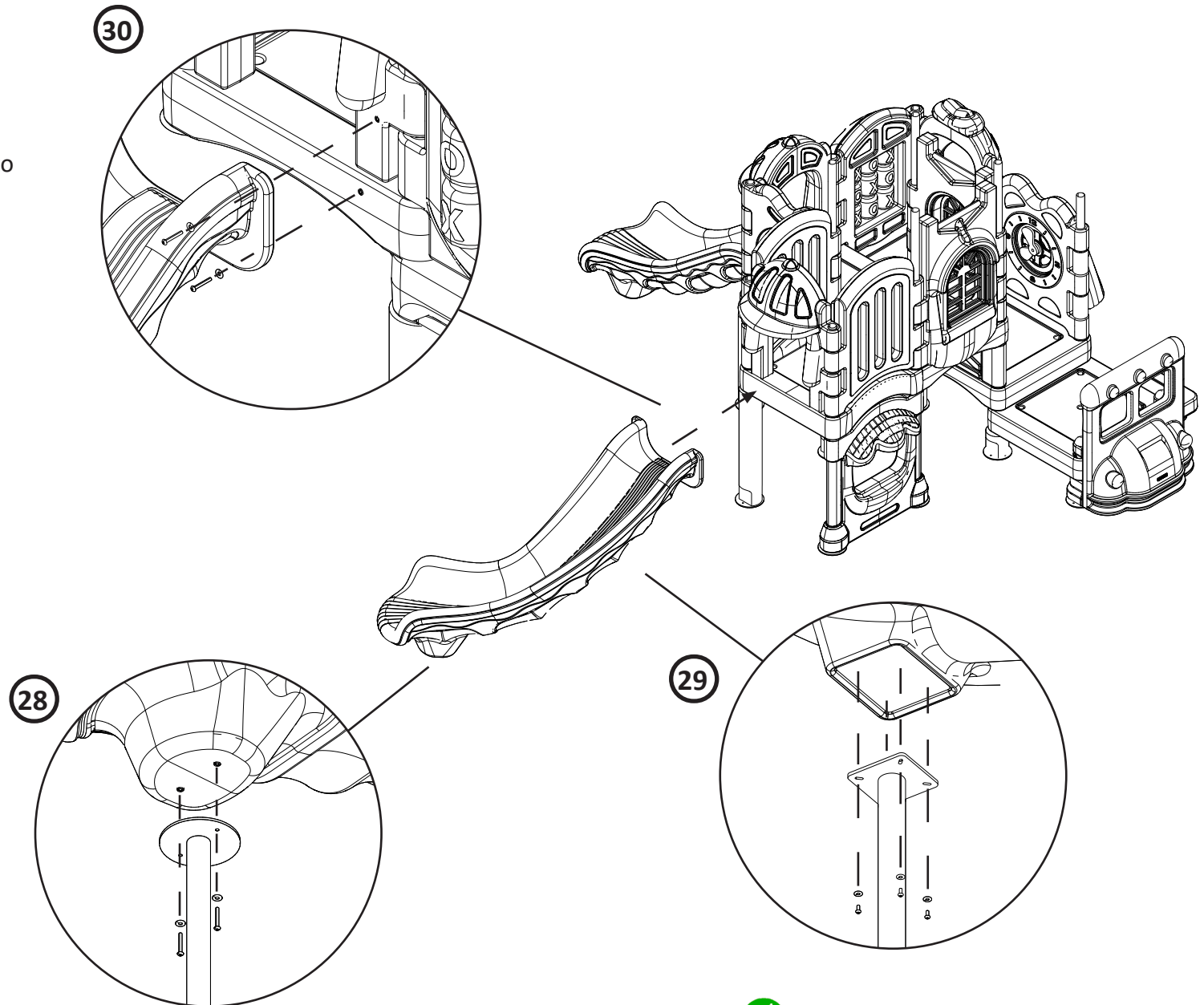
27 Align the Slide with the Platform and the Slide Entrance panel and install using four (4) M10*45mm Bolts and four (4) M10 Washers.



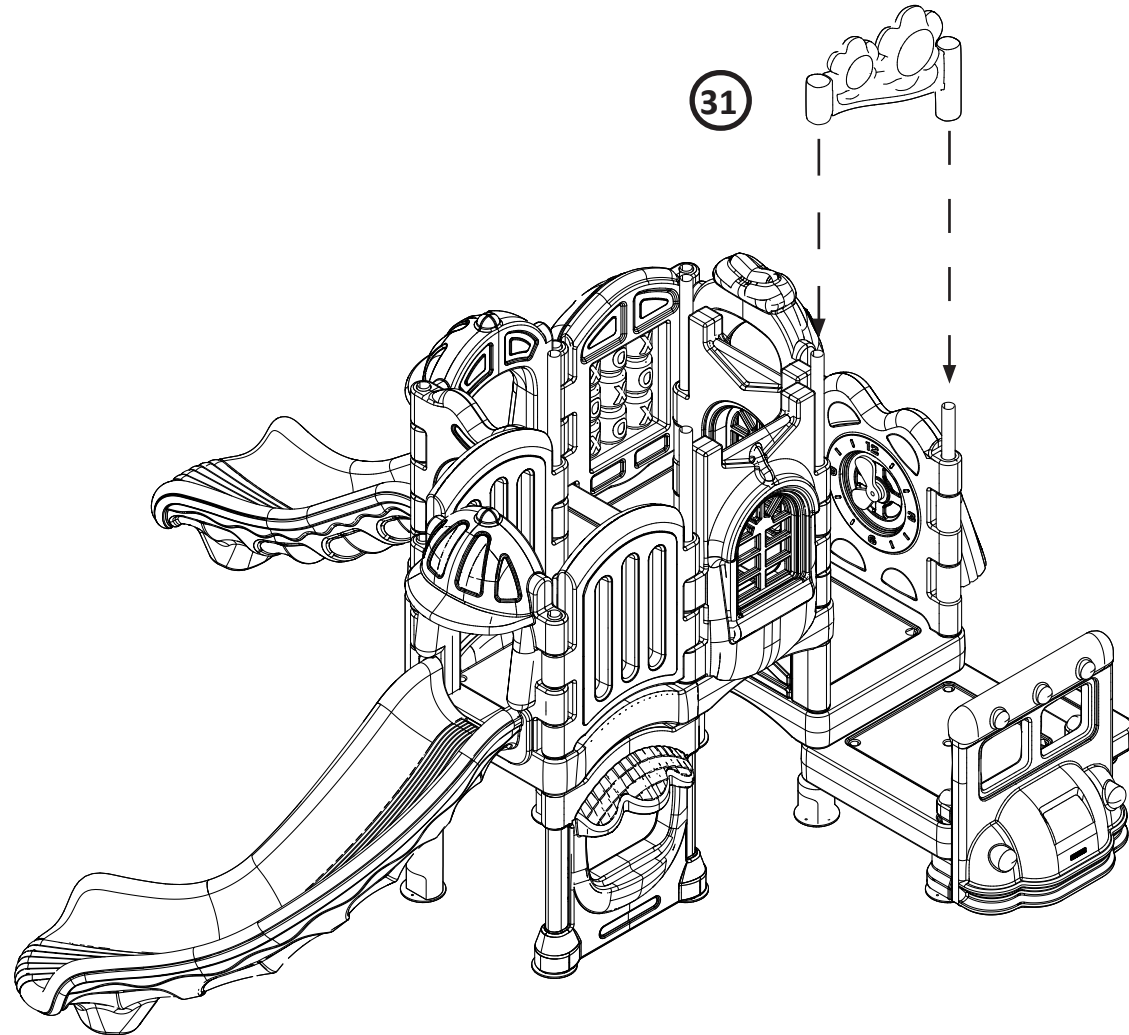
28 Attach the Slide End mount to the underside of the Slide using two (2) M8*20mm Bolts and two (2) M8 Washers.

29 Attach the Turn Slide Middle Mount to the underside of the Slide using four (4) M8*20mm Bolts and four (4) M8 Washers.

30 Align the Slide with the Platform and the Slide Entrance panel and install using four (4) M10*45mm Bolts and four (4) M10 Washers.

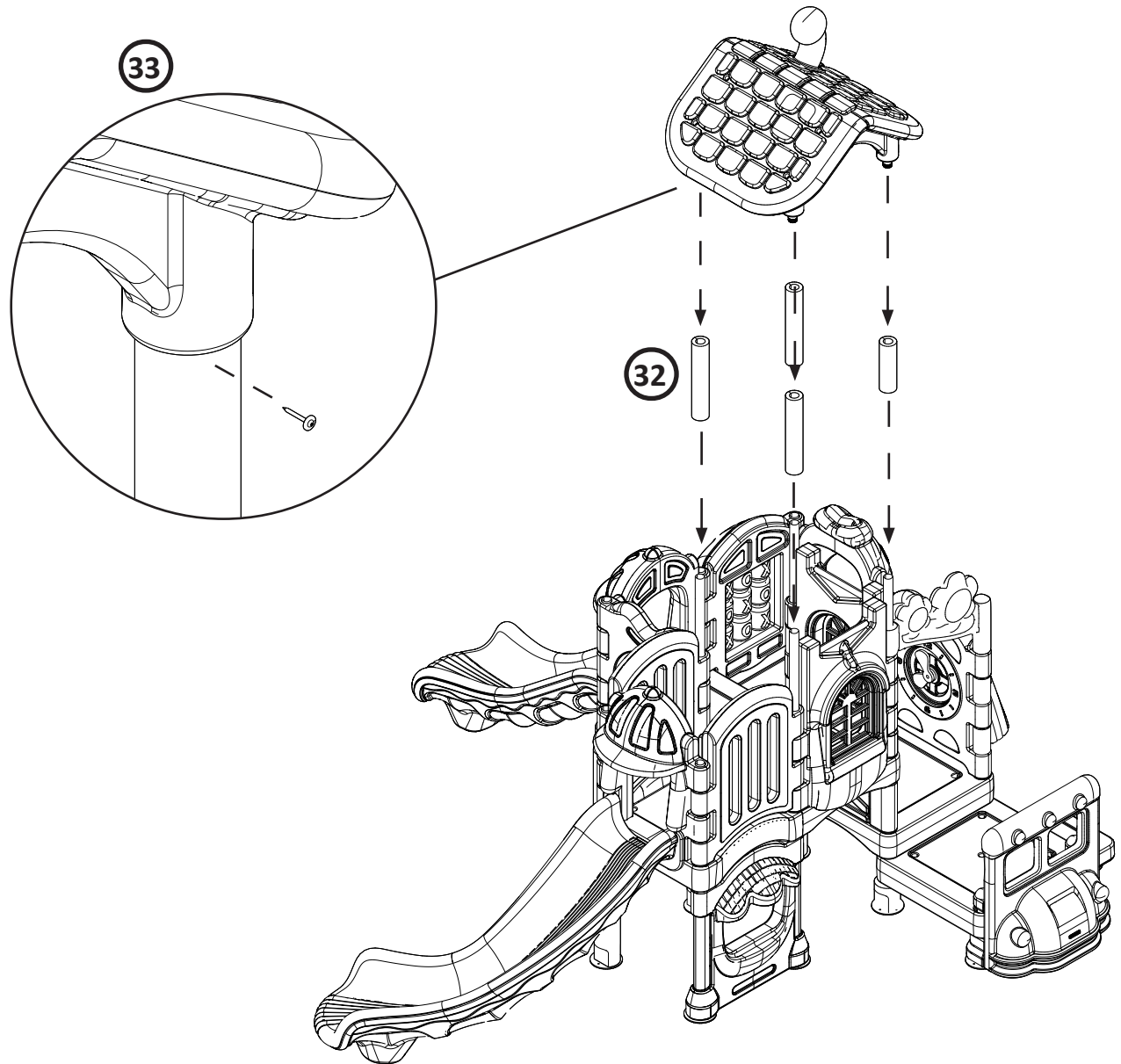


- 31** Install the Butterfly Buttress by sliding over the ends of the Post Bases.

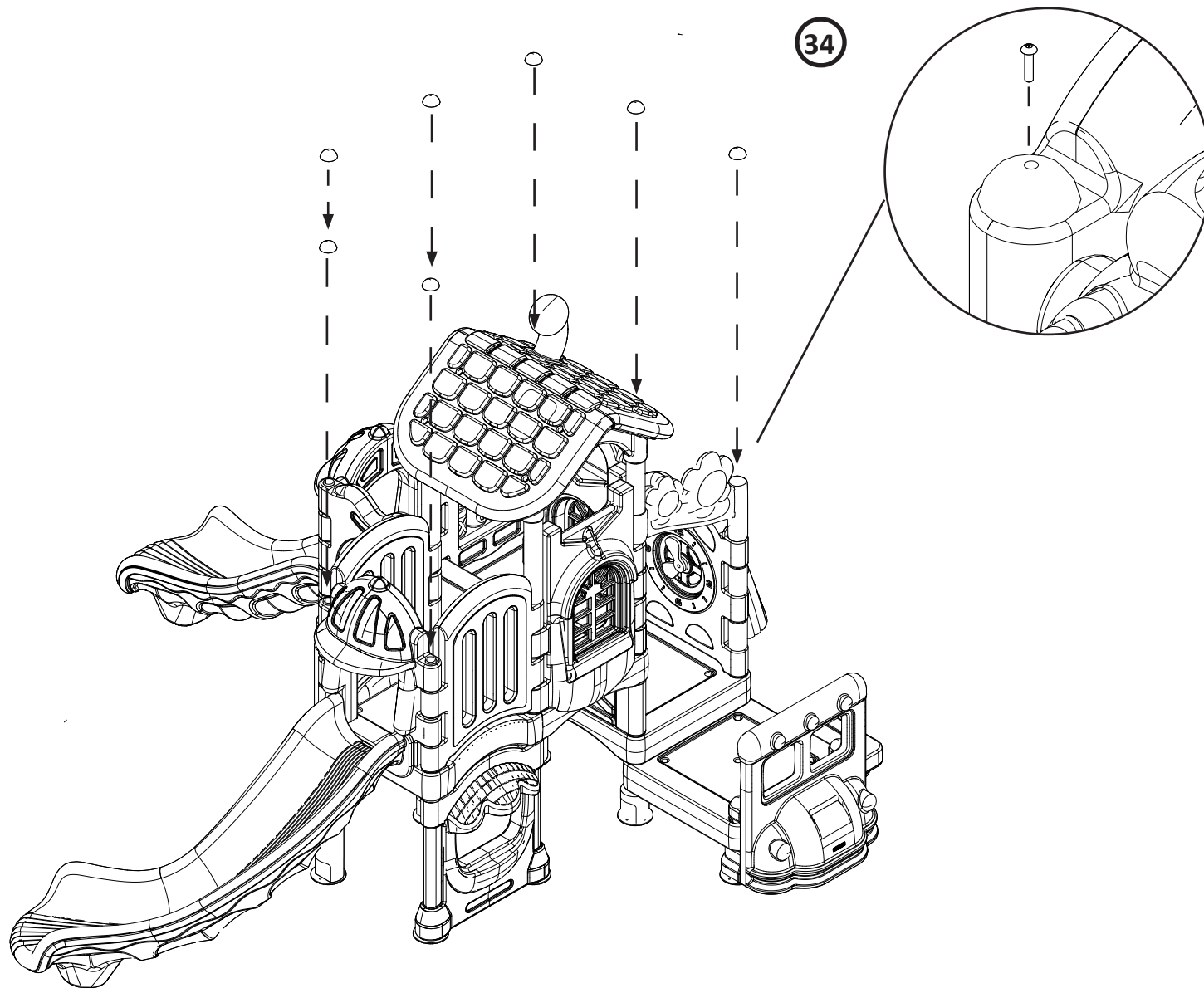


32 Slide the Post Sleeves over the top of the four posts that will be used for the Roof. Pay careful attention to the lengths shown for each Post Sleeve.

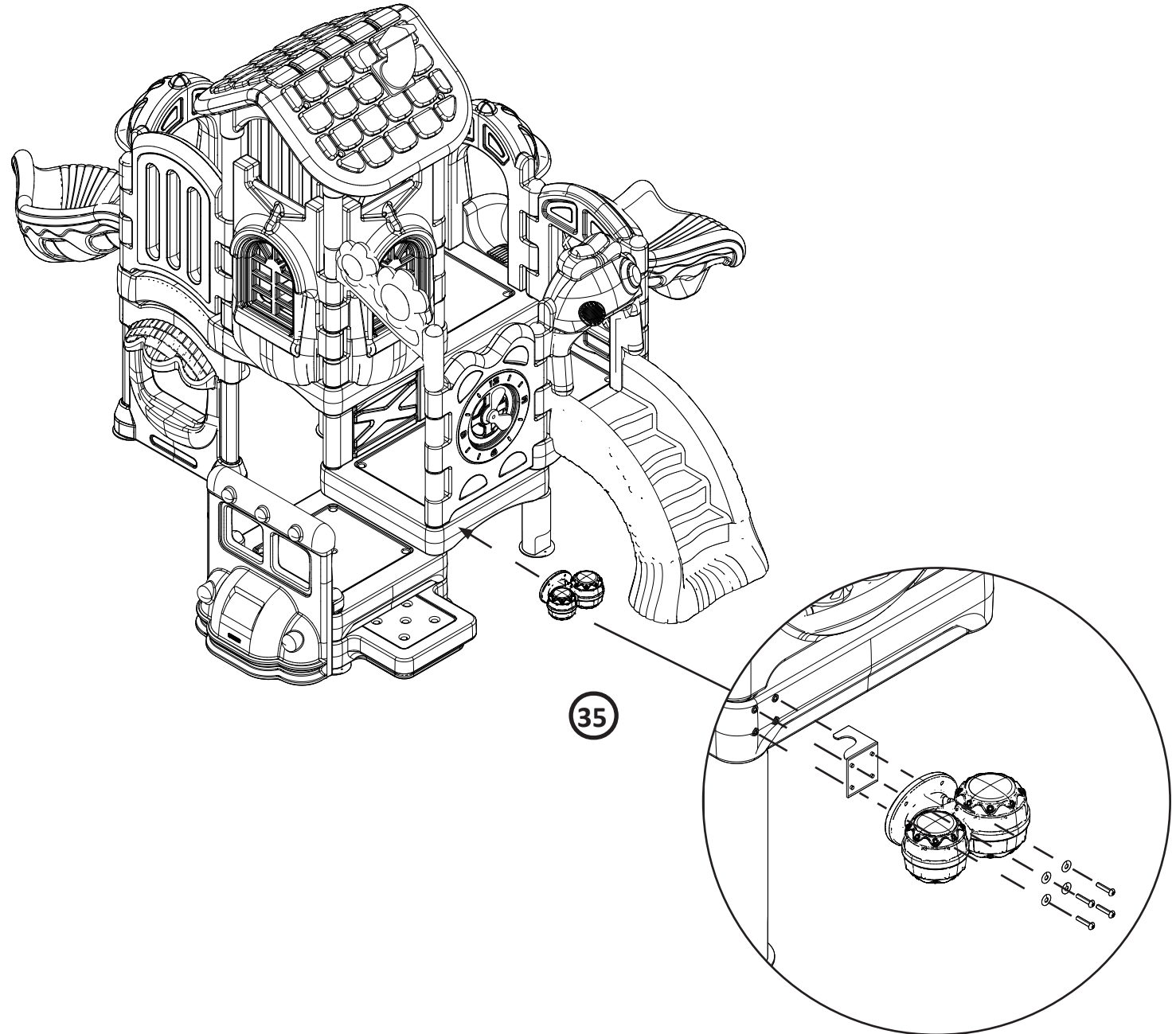
33 Install the Roof by inserting the pegs on the bottom of the Roof down into the openings of the top of the posts. Use the supplied self tapping screws to secure the Roof in place.



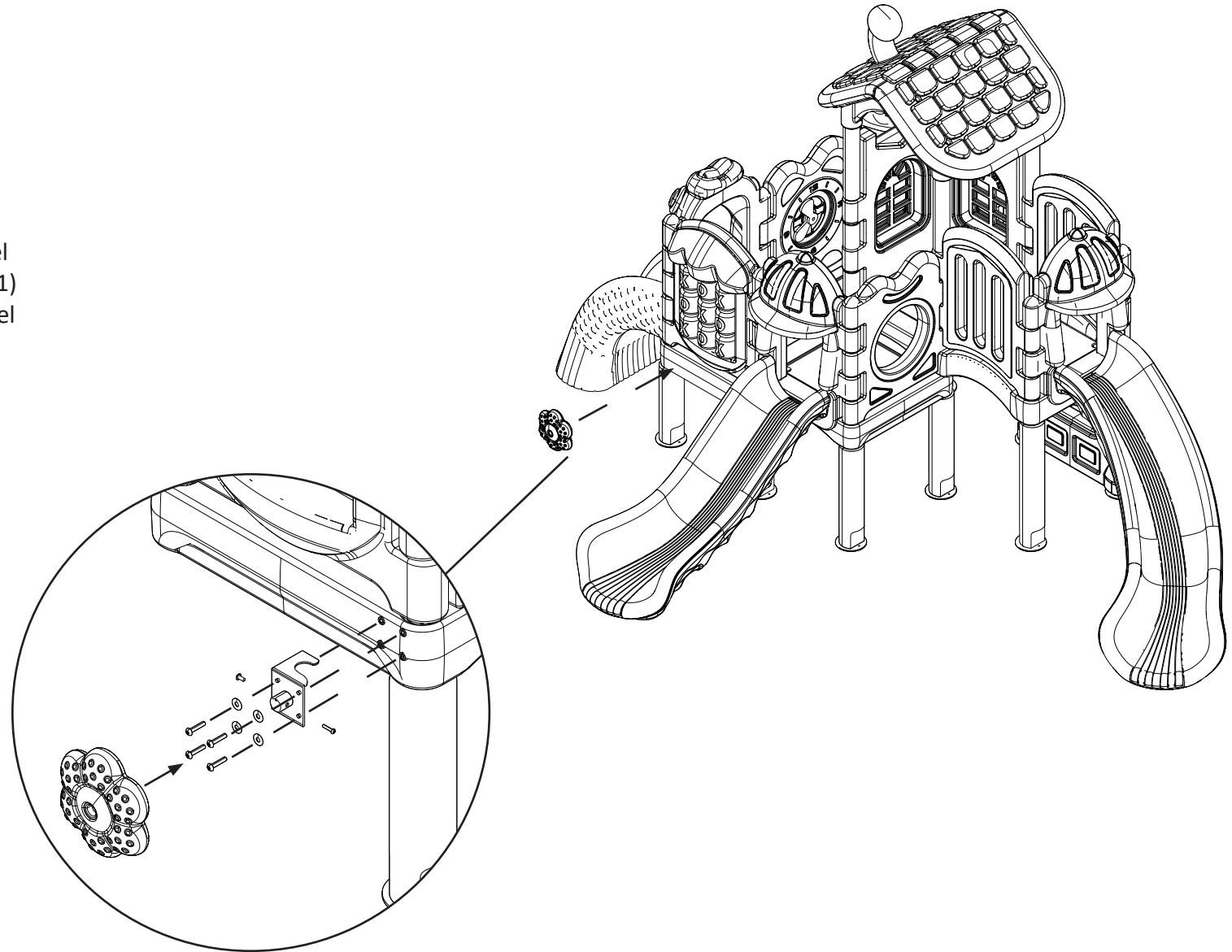
- 34** Install Post Caps over the ends of the three un-capped Post Bases using three (3) M10*49mm Bolts.



- 35** Install the Bongo Drum using the installation bracket. Loop the hook of the installation bracket around the post by inserting it into the gap between the platform and the Clock Panel. Attach using four (4) M10*25mm Bolts and four (4) M10 Washers.



- 36** Install the Rain Wheel using the installation bracket. Loop the hook of the installation bracket around the post by inserting it into the gap under the Tic-Tac-Toe panel. Attach the installation bracket using four (4) M10*25mm Bolts and four (4) M10 Washers. Then attach the Rain Wheel to the installation bracket with one (1) M8*25mm Bolt and one (1) M8 Barrel Nut.



- 37** Once the structure has been confirmed to be in the correct location, has been attached to any footings, or by using the mounting stakes; install the Foot Covers. The Foot Covers slide around the base of the post, and are attached using two (2) M8*40mm Bolts, four (4) M8 Washers, and two (2) M8 Barrel Nuts, for each Foot Cover.

