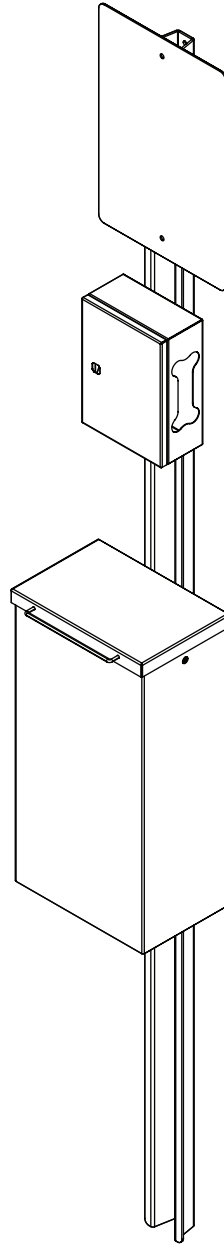

Pet Waste Station

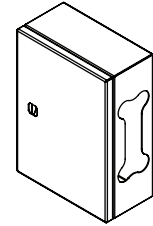
PDP003



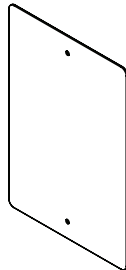
Pet Waste Station Post Qty: 1



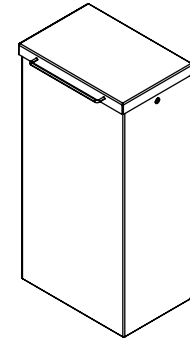
Pet Waste Bag Dispenser Qty: 1



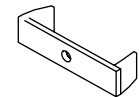
Pet Waste Station Sign Qty: 1



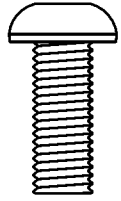
Pet Waste Receptacle Qty: 1



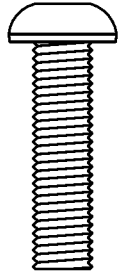
Spacer Bracket Qty: 1



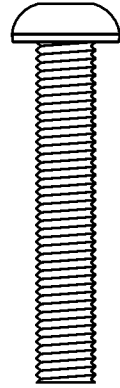
M8*20mm



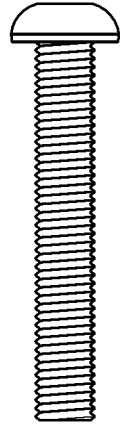
M8*30mm



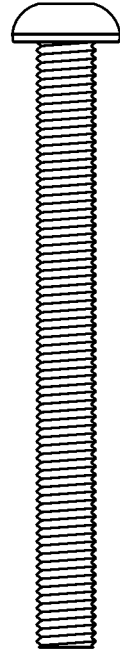
M8*45mm



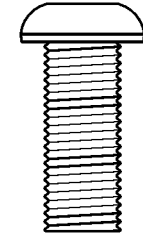
M8*50mm



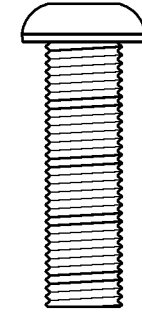
M8*80mm



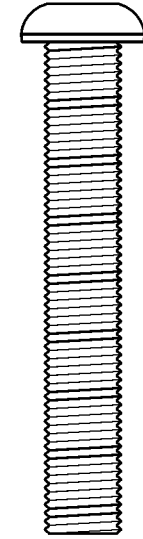
M10*25mm



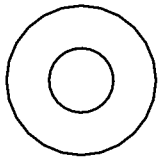
M10*35mm



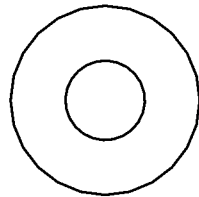
M10*65mm



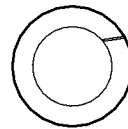
M8 Washer



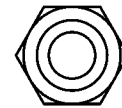
M10 Washer



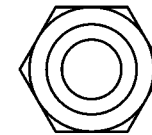
M10 Spring Washer



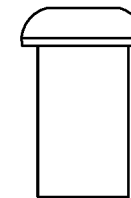
M8 Lock Nut



M10 Lock Nut



Barrel Nut

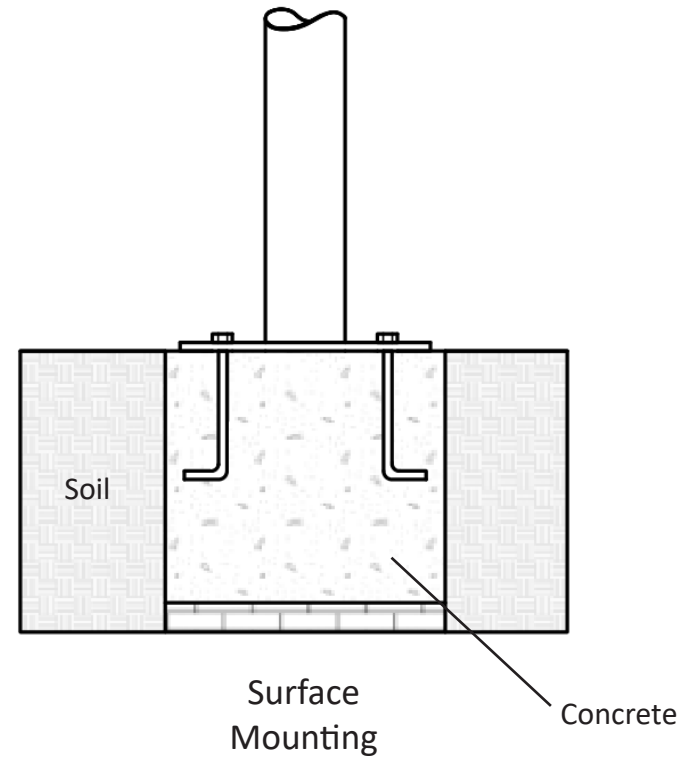
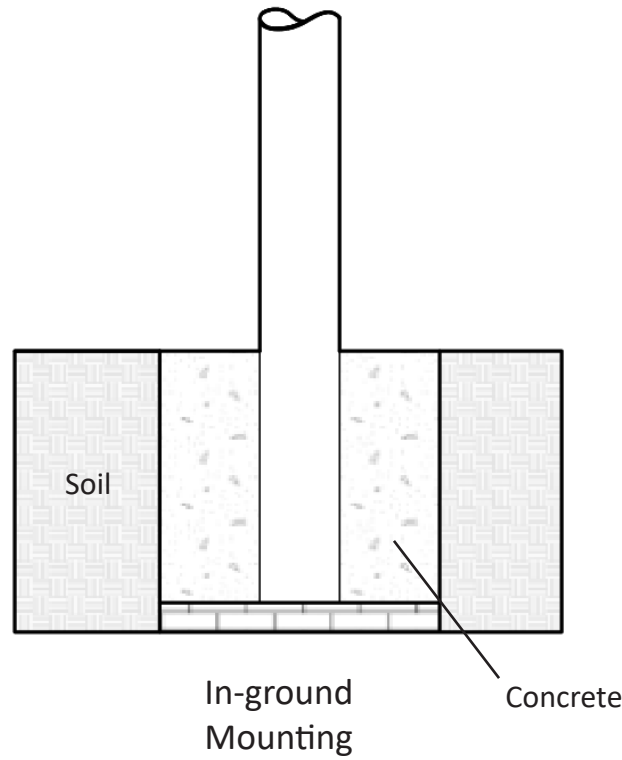


Material Specifications:

Posts - Steel

Plastics - Low Density Polyethylene

Hardware - Stainless Steel

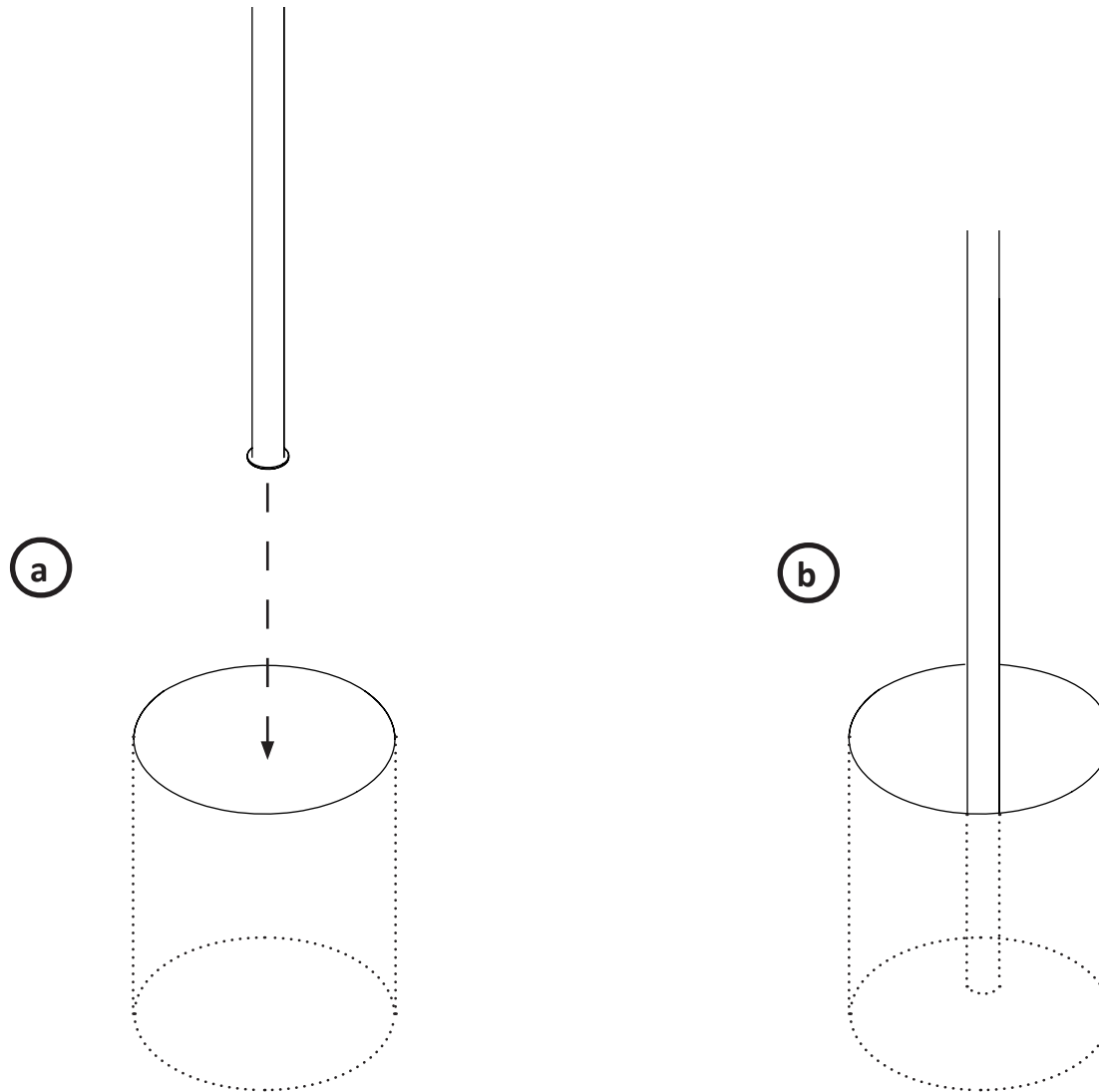


In-Ground Mounting Option

- a** To In-Ground mount the Dog Park Equipment, start by digging a hole appropriate to the equipment being installed.

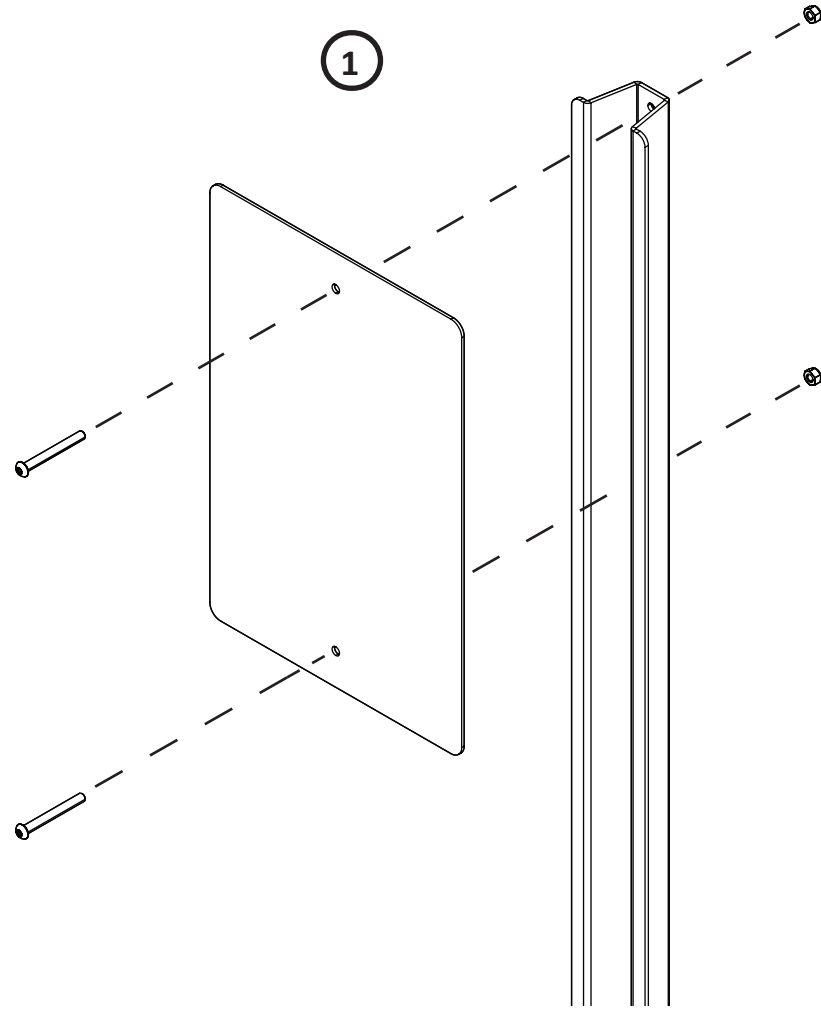
For most of the Dog Park Equipment, a 12" diameter x 18" deep footing is used. (Some Equipment may specify a different size footing.)

- b** Place the equipment in the footing hole and secure in place using ropes or straps. Pour concrete and let cure.

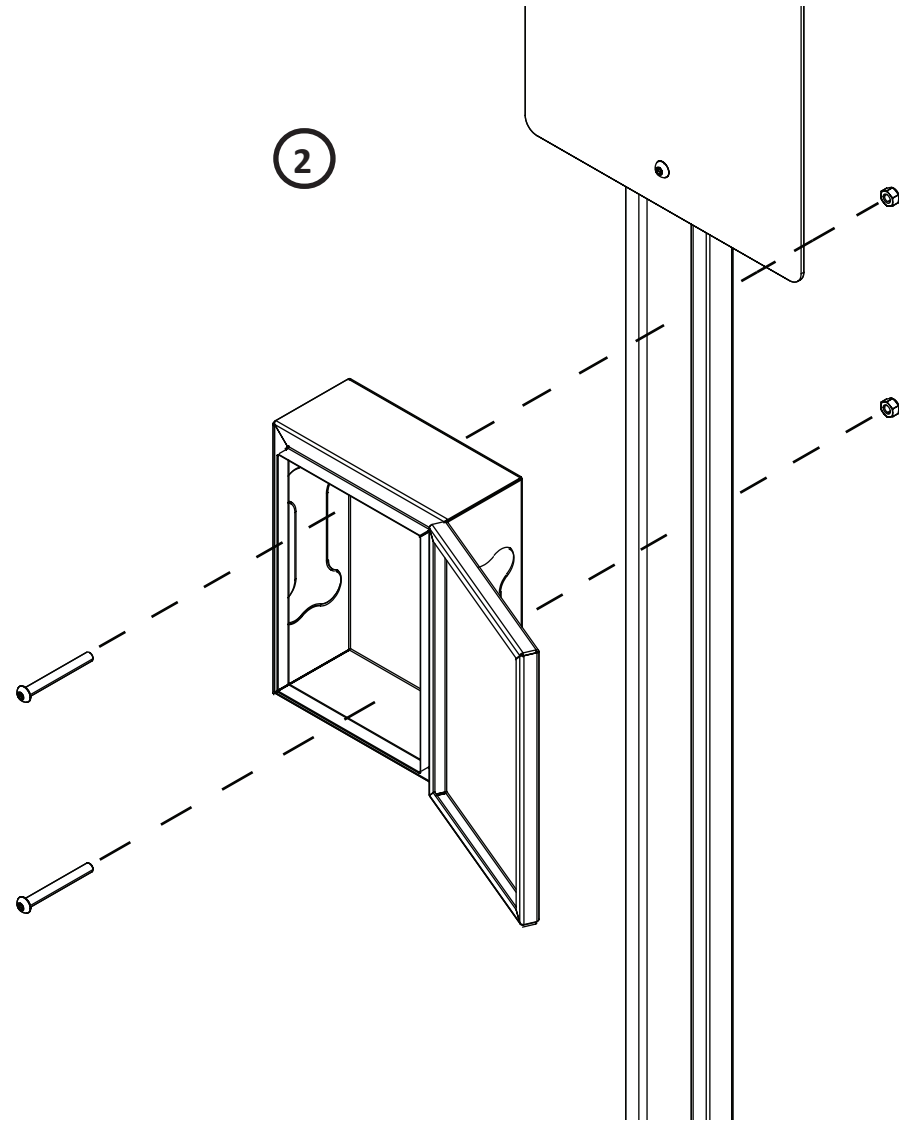


Note: Equipment should be fully assembled before being mounted, unless specifically stated in an install step.

- 1 Attach the Waste Station Sign to the Waste Station Post using two (2) M8*80mm Bolts, and two (2) M8 Lock Nuts.



- 2 Attach the Waste Bag Dispenser to the Waste Station Post using two (2) M8*80mm Bolts, and two (2) M8 Lock Nuts.



- 3 Slide the Spacer Bracket up over the post from the bottom. This spacer will align with the top bolt hole of the Waste Receptacle.
- 4 Attach the Waste Receptacle to the Waste Station Post using three (3) M8*80 Bolts, and three M8 Lock Nuts.

