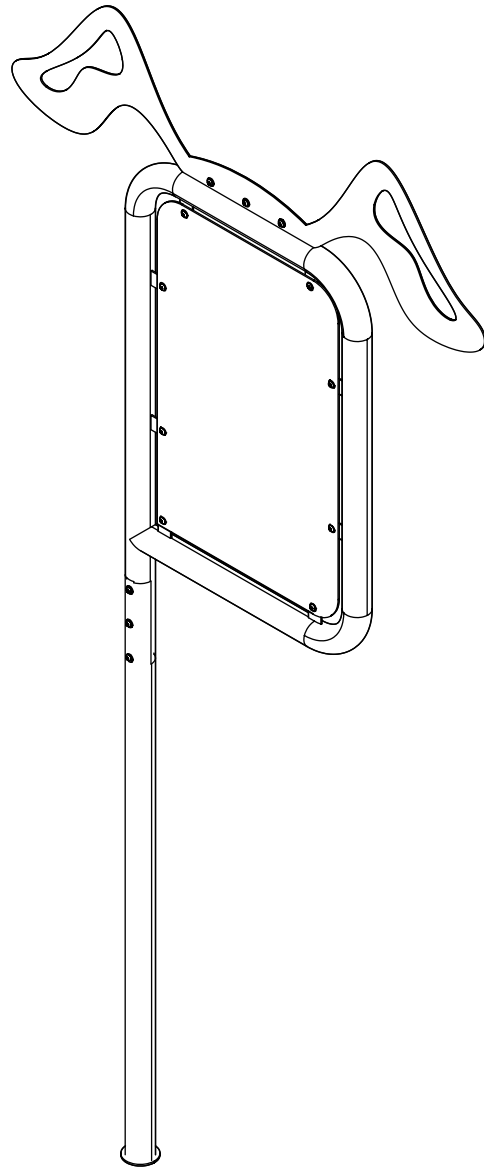


---

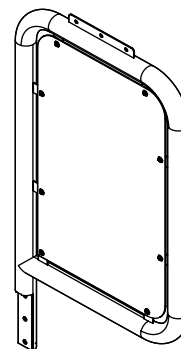
# Dog Park Sign

## PDP005



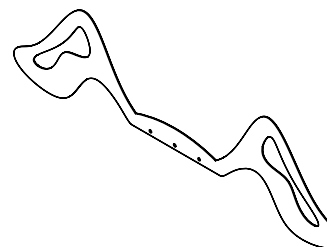
Dog Park Sign Board

Qty: 1



Dog Park Sign Ears

Qty: 1

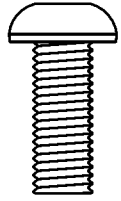


Dog Park Sign Post

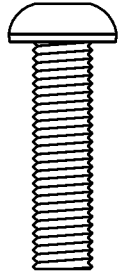
Qty: 1



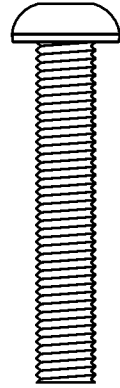
M8\*20mm



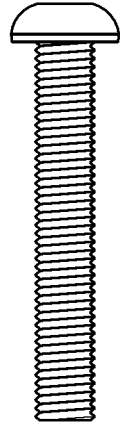
M8\*30mm



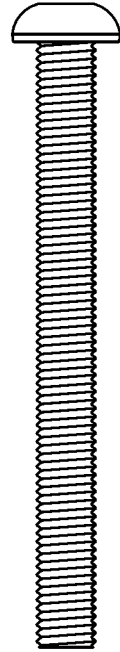
M8\*45mm



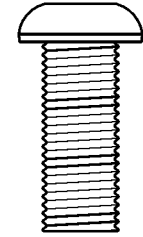
M8\*50mm



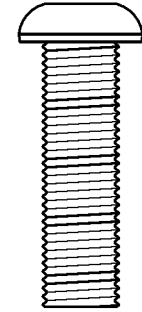
M8\*80mm



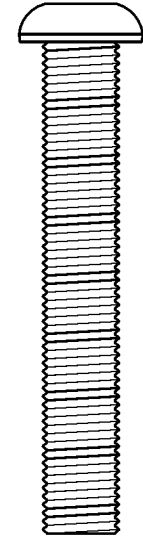
M10\*25mm



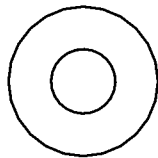
M10\*35mm



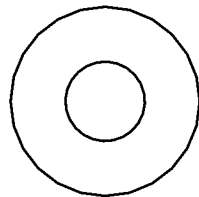
M10\*65mm



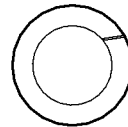
M8 Washer



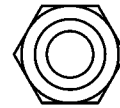
M10 Washer



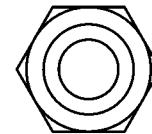
M10 Spring Washer



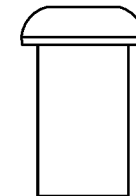
M8 Lock Nut



M10 Lock Nut



Barrel Nut

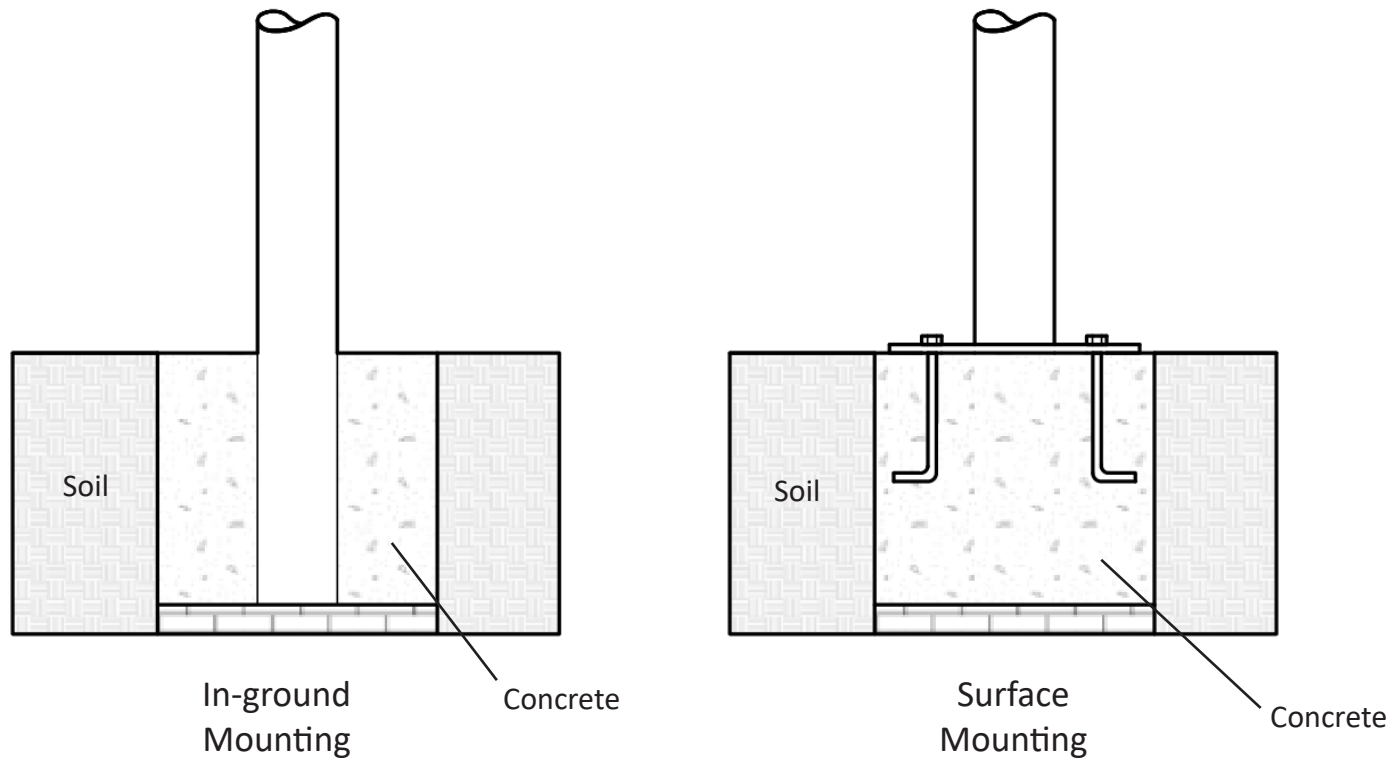


Material Specifications:

Posts - Steel

Plastics - Low Density Polyethylene

Hardware - Stainless Steel

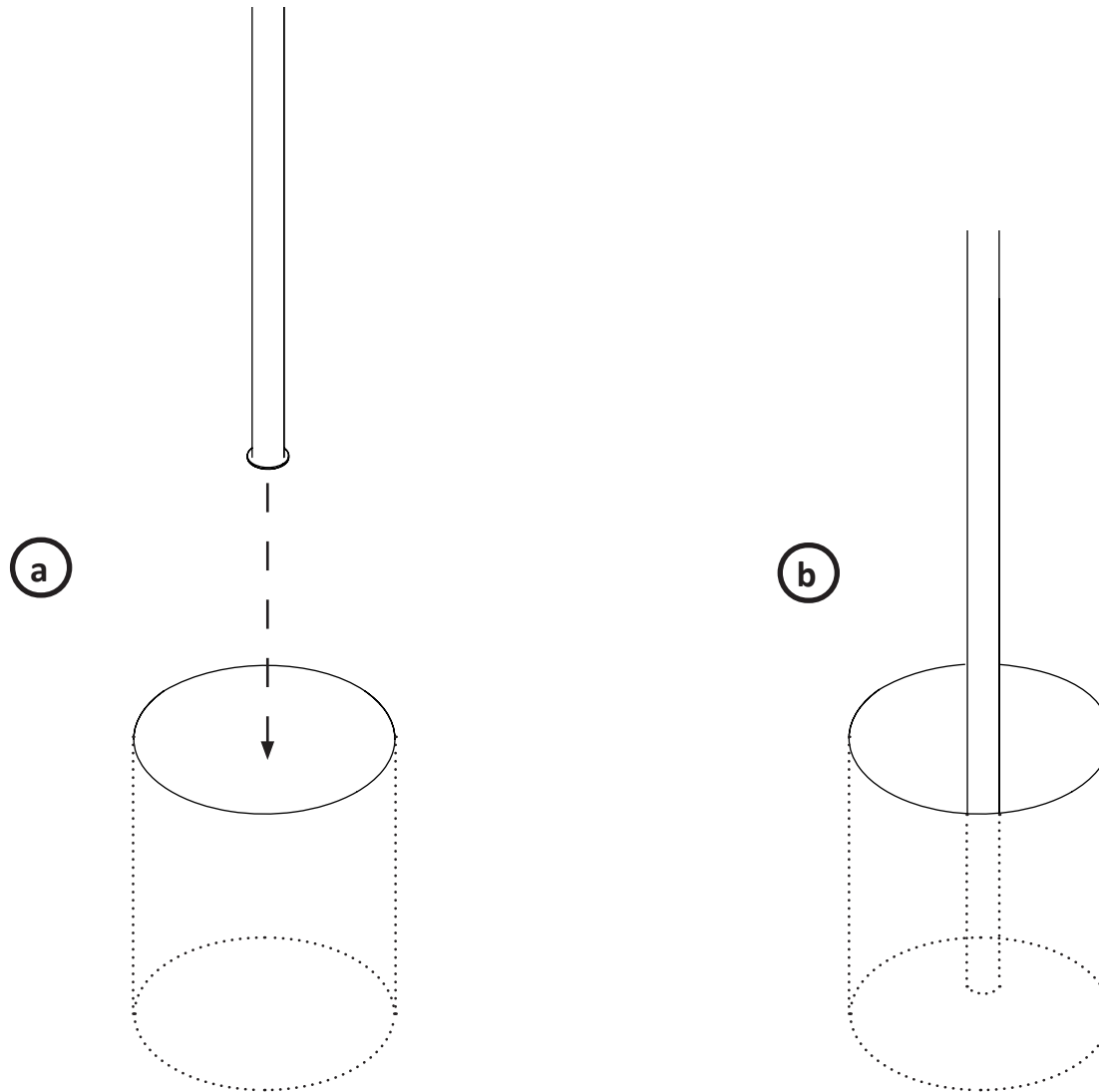


## In-Ground Mounting Option

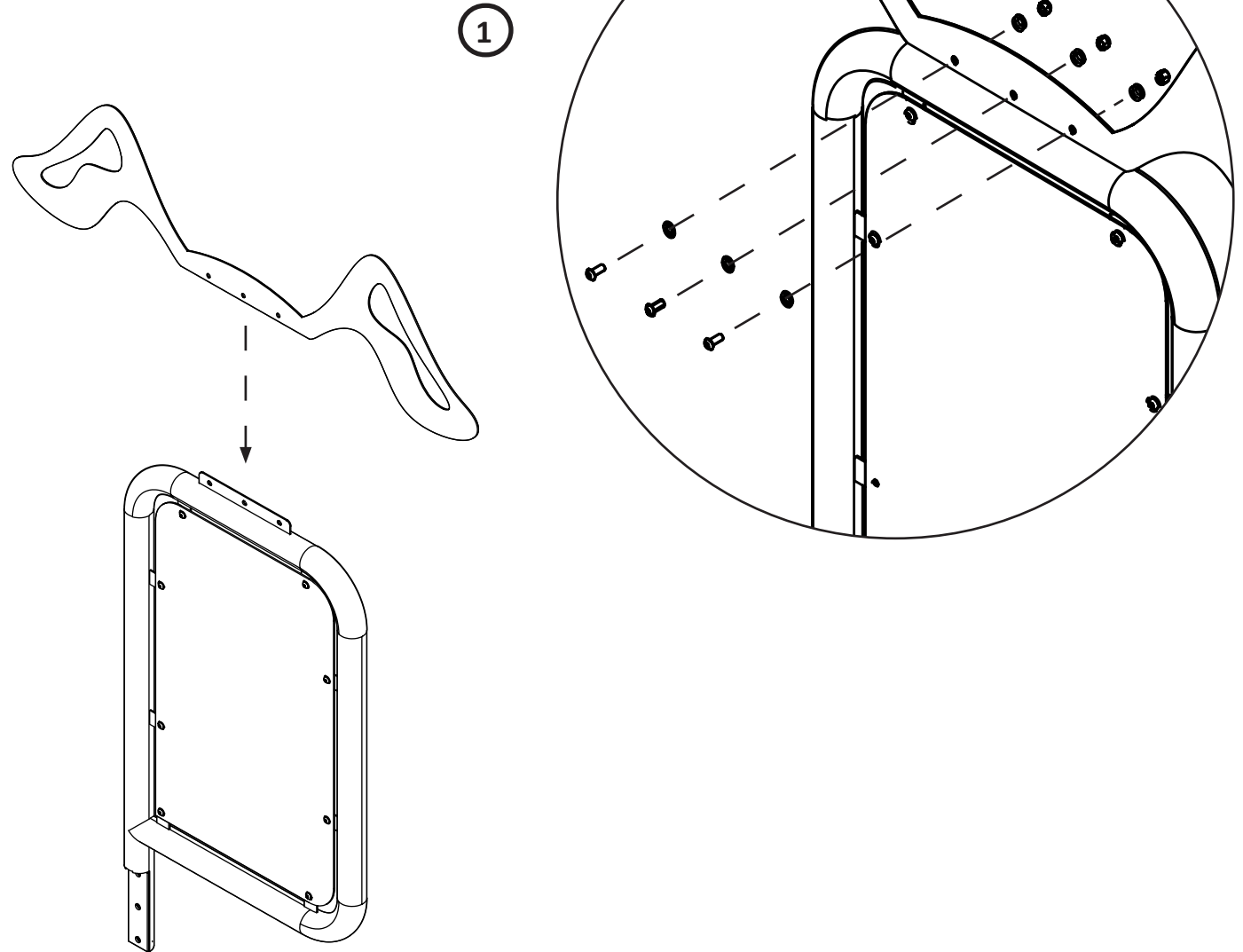
- a** To In-Ground mount the Dog Park Equipment, start by digging a hole appropriate to the equipment being installed.

For most of the Dog Park Equipment, a 12" diameter x 18" deep footing is used. (Some Equipment may specify a different size footing.)

- b** Place the equipment in the footing hole and secure in place using ropes or straps. Pour concrete and let cure.



- 1 Attach the Dog Park Sign Ears to the Dog Park Sign Board using three (3) M8\*20mm Bolts, six (6) M8 Washers, and three (3) M8 Lock Nuts.



- 2 Attach the Dog Park Sign Board to the Dog Park Sign Post by lining up overlapping sections of the split post, and affix using three (3) M8\*45mm Bolts to secure to the threaded inserts.

