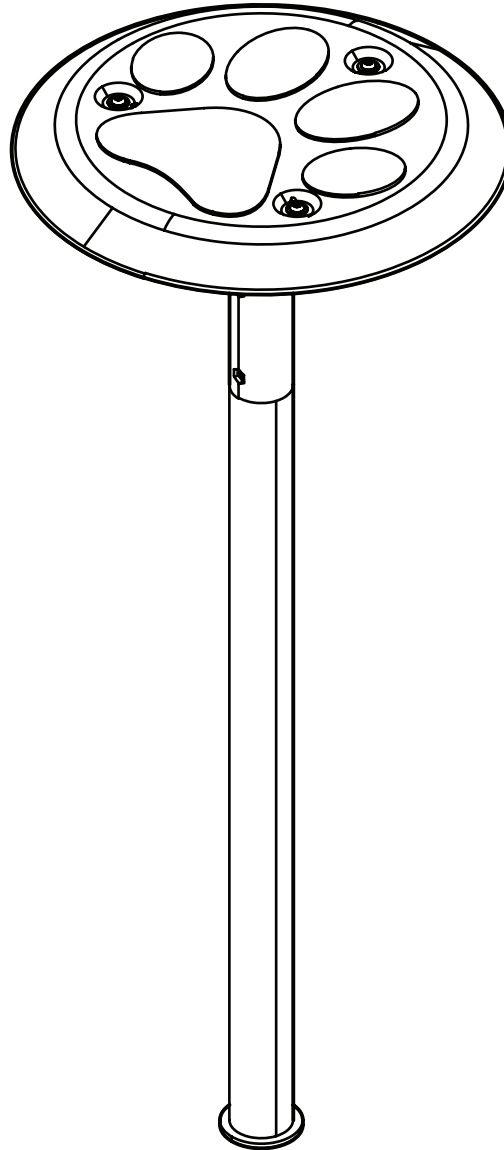
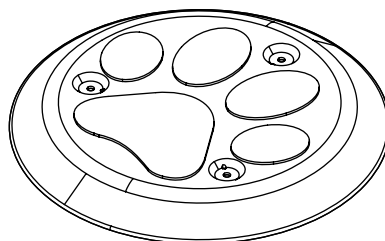

Paw Print Step

PDP011



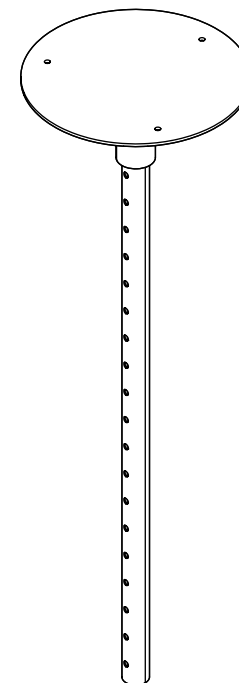
Paw Print Step - Top

Qty: 1



Paw Print Step - Base

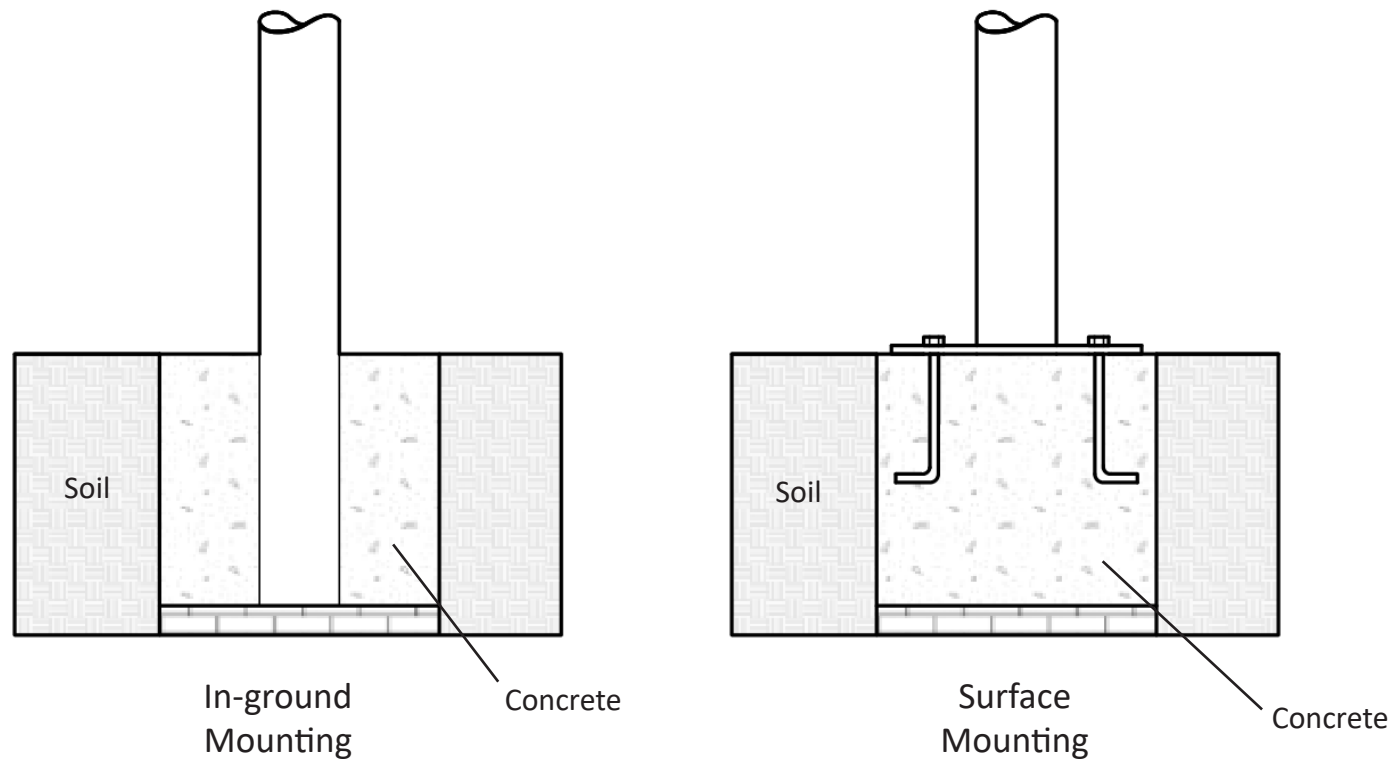
Qty: 1



Paw Print Step - Mount

Qty: 1



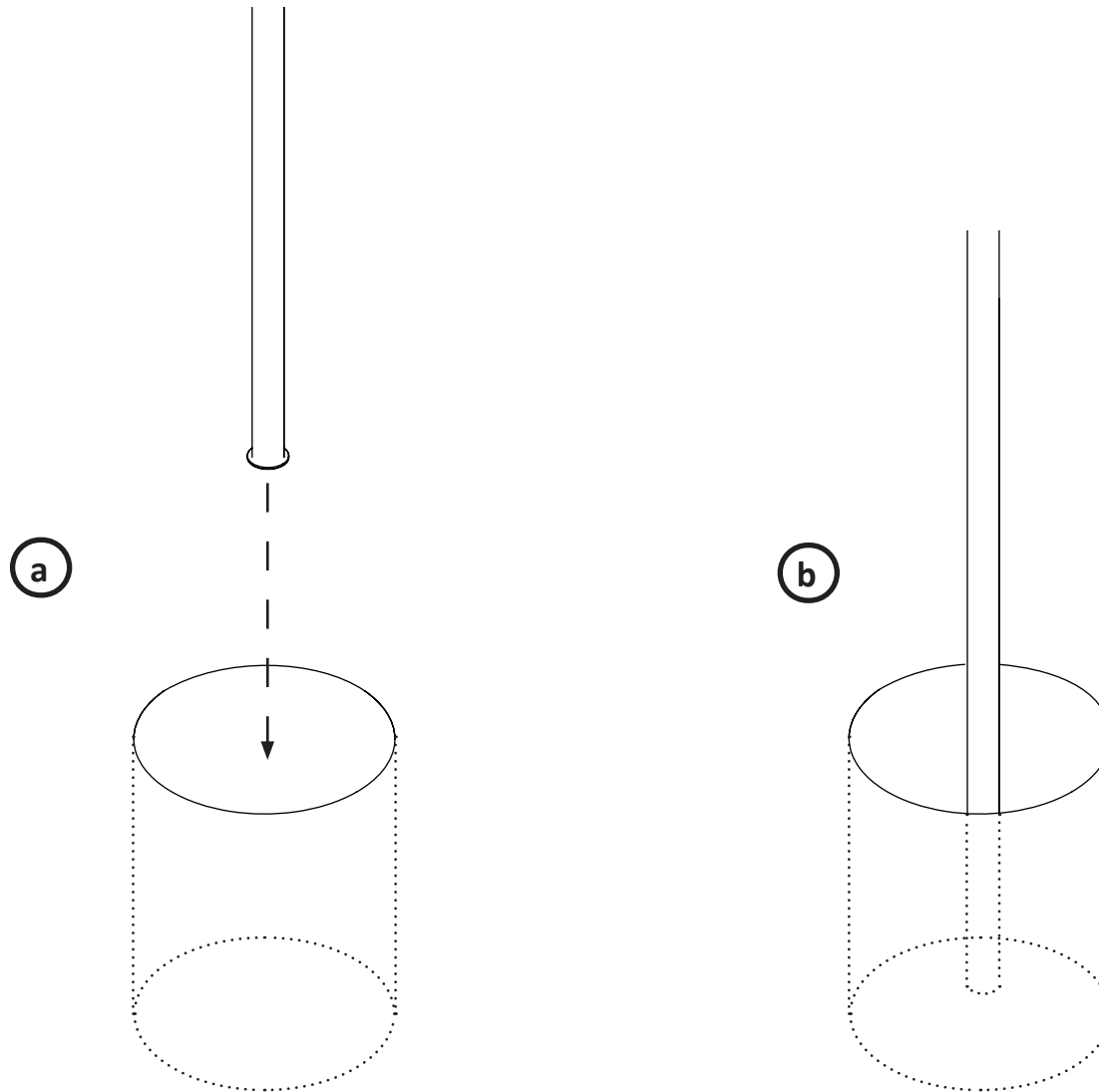


In-Ground Mounting Option

- a** To In-Ground mount the Dog Park Equipment, start by digging a hole appropriate to the equipment being installed.

For most of the Dog Park Equipment, a 12" diameter x 18" deep footing is used. (Some Equipment may specify a different size footing.)

- b** Place the equipment in the footing hole and secure in place using ropes or straps. Pour concrete and let cure.



- 1 The Paw Print Step comes fully assembled, but the height can be adjusted. To Adjust the height, use the included Torx head wrench to remove the two bolts and slide the upper portion of the step to the desired height. Once the desired height is established, line up the holes on the upper step portion with the base then insert and tighten down the bolts.

