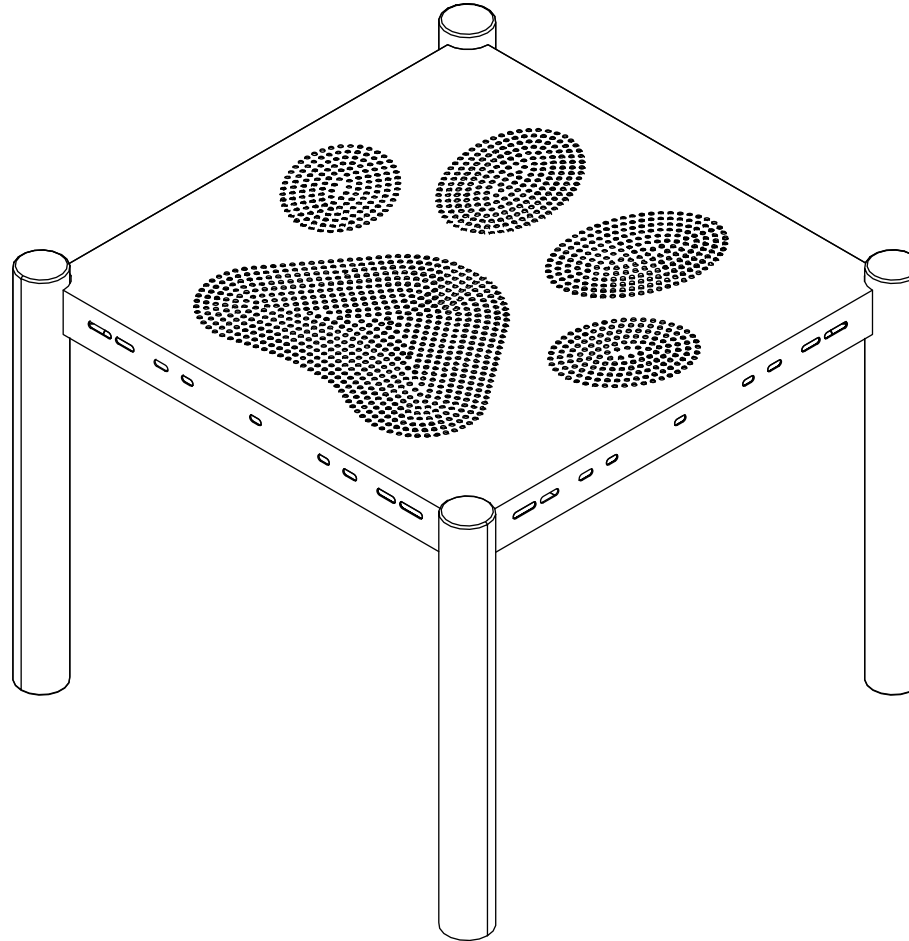
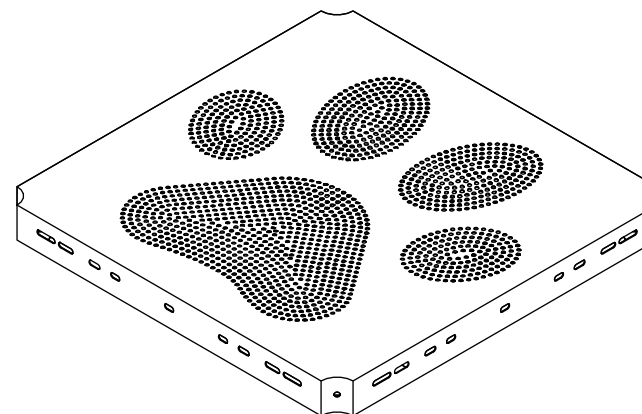

Paw Print Grooming Deck

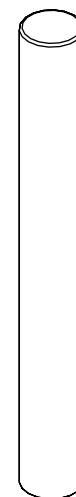
PDP012



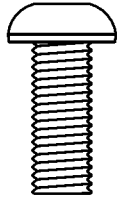
Metal Paw Print Deck Qty: 1



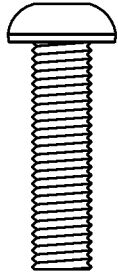
Paw Print Deck Support Posts Qty: 4



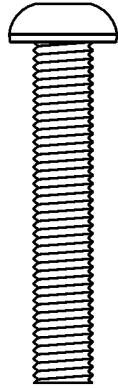
M8*20mm



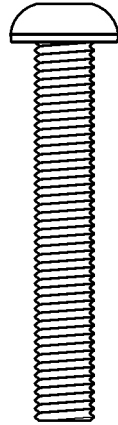
M8*30mm



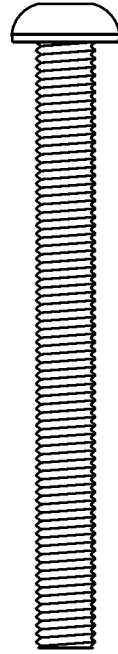
M8*45mm



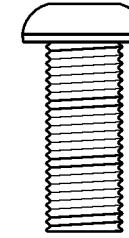
M8*50mm



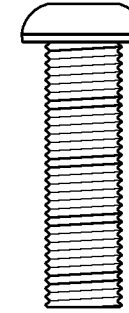
M8*80mm



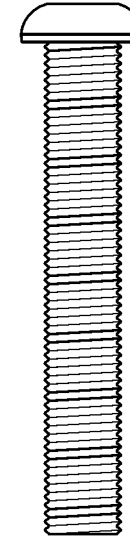
M10*25mm



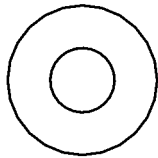
M10*35mm



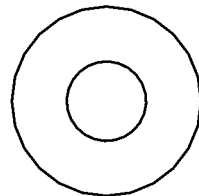
M10*65mm



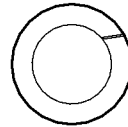
M8 Washer



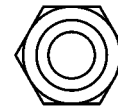
M10 Washer



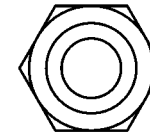
M10 Spring Washer



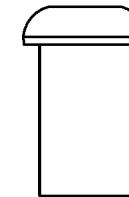
M8 Lock Nut



M10 Lock Nut



Barrel Nut

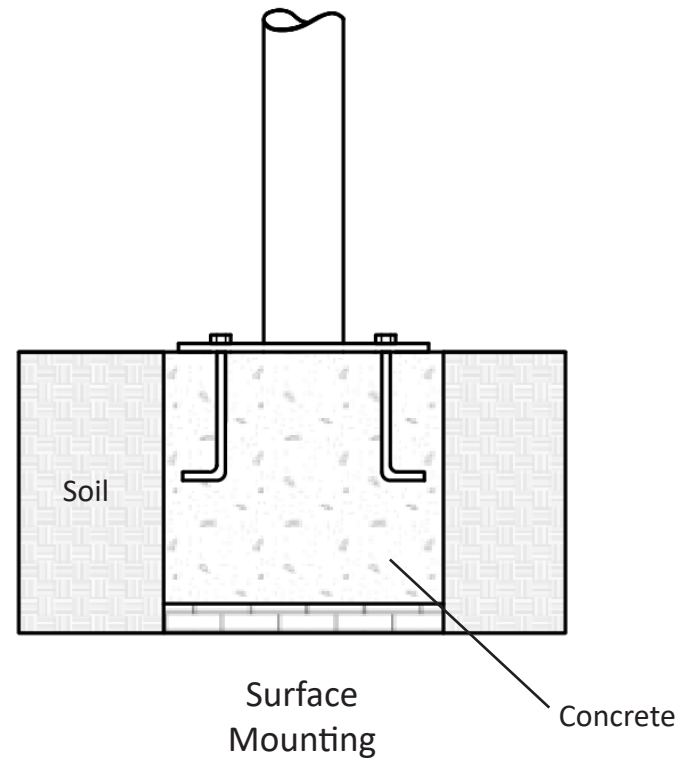
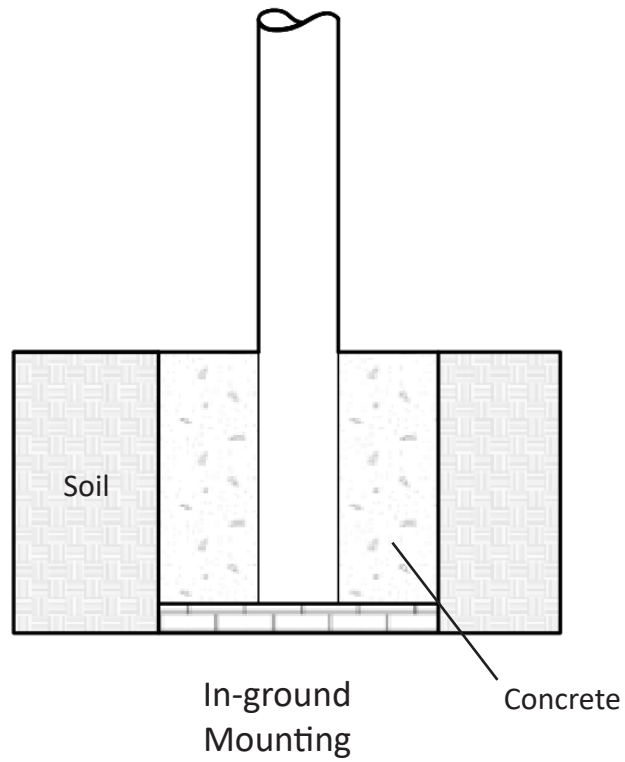


Material Specifications:

Posts - Steel

Plastics - Low Density Polyethylene

Hardware - Stainless Steel

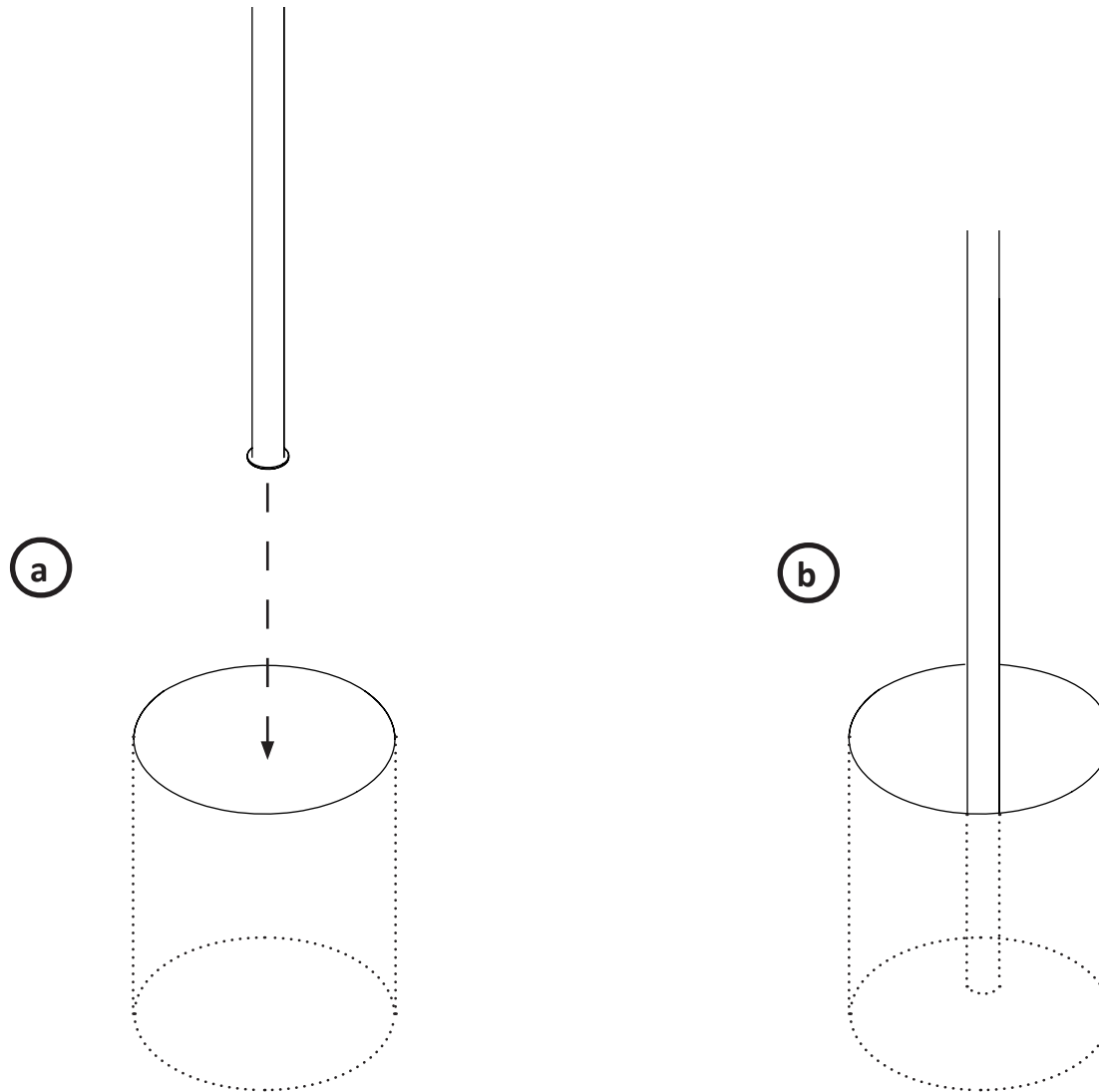


In-Ground Mounting Option

- a** To In-Ground mount the Dog Park Equipment, start by digging a hole appropriate to the equipment being installed.

For most of the Dog Park Equipment, a 12" diameter x 18" deep footing is used. (Some Equipment may specify a different size footing.)

- b** Place the equipment in the footing hole and secure in place using ropes or straps. Pour concrete and let cure.



- 1 Connect the Paw Print Deck to the Support Posts using one (1) M10*25mm Bolt, and one (1) M10 Washer for each connection point. Then Place the assembled equipment into the footings.

