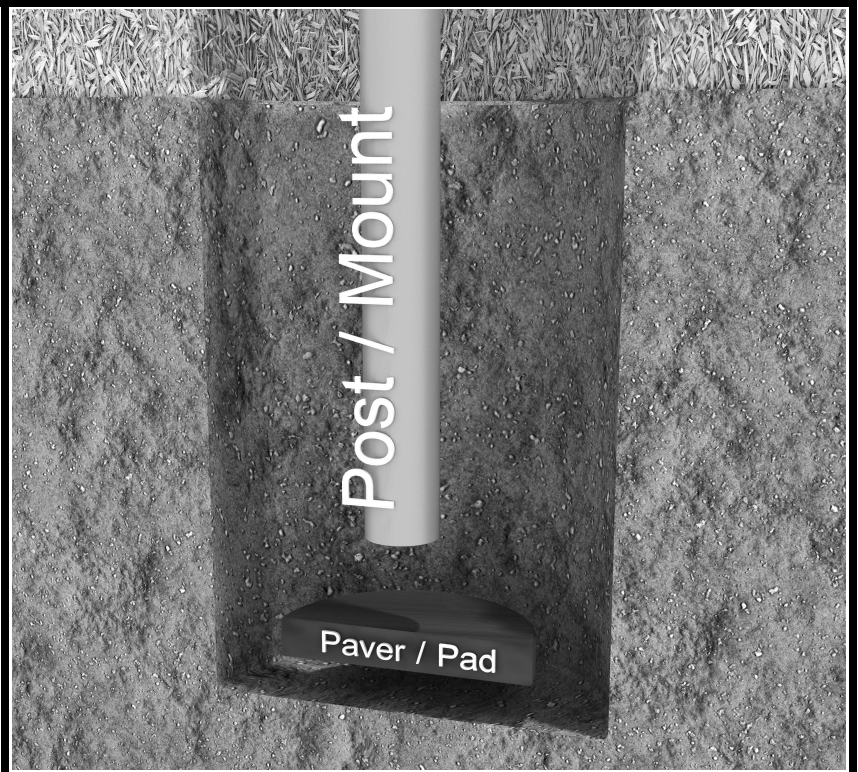


Inground Post/Mount Installation

STEP: 1

DO NOT CEMENT POSTS/MOUNTS INTO PLACE UNTIL THE ENTIRE STRUCTURE IS ASSEMBLED.

Refer to the General Installation guide footing size information and digging proper holes for the support posts/mounts.



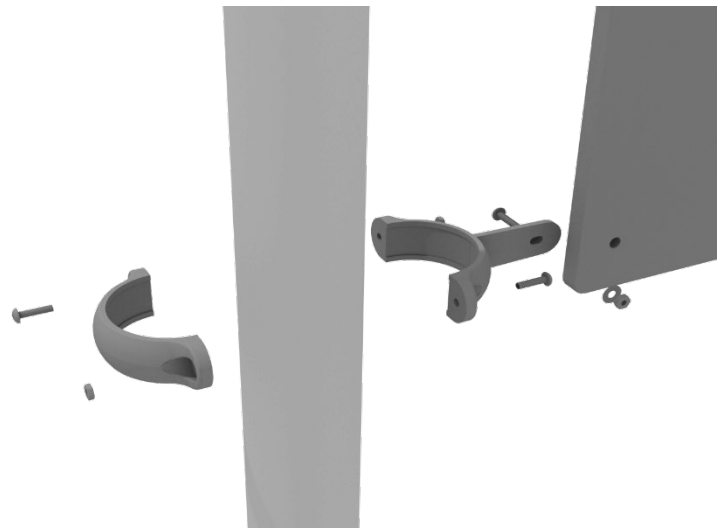
4.5-inch Clamp Installation Examples

The following two pages will include examples of how to install some of the most common types of Clamps that are present on our structures that use 4.5-inch outside diameter posts. The structure that you are assembling might not require all the types of clamps listed in these examples.

The Install Guides for specific components that come later in this document might call for a specific type of clamp (a tube clamp for example), those sections will not include detailed instructions for the clamps and should direct you back to this section for more detailed information.

4.5-inch Flat Clamp Installation Example

Connect half of the flat clamp to the component using one (1) M8*30 bolt and Lock Nut. Then, using the other half of the flat clamp and the hardware provided in the clamp hardware bag, attach the backside of the flat clamp around the post.



4.5-inch Clamp Installation Examples

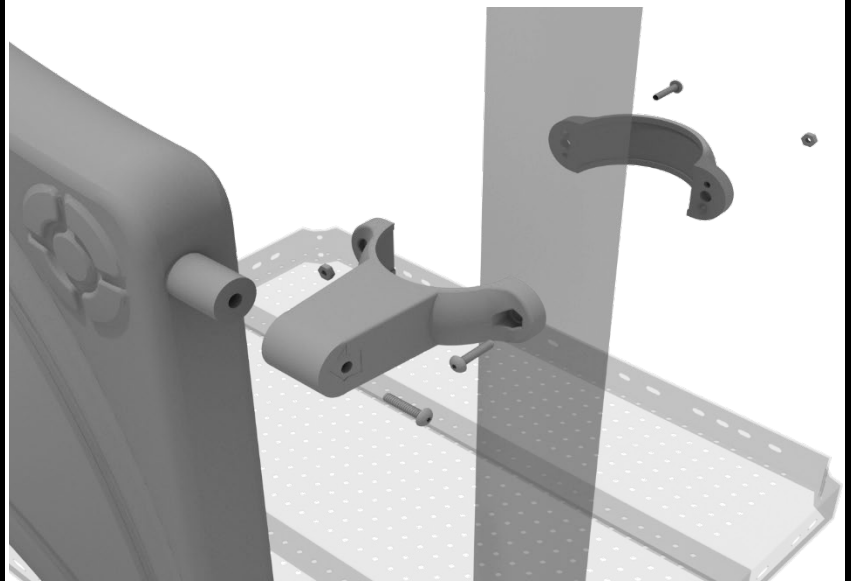
4.5-inch Tube Clamp Installation Example

Insert Bar on Component into one half of the Tube Clamp and attach with M4*25 Set Screw. Then, using the other half of the tube clamp and the hardware provided in the clamp hardware bag, attach the backside of the tube clamp around the post.



4.5-inch Double Slide Clamp Installation Example

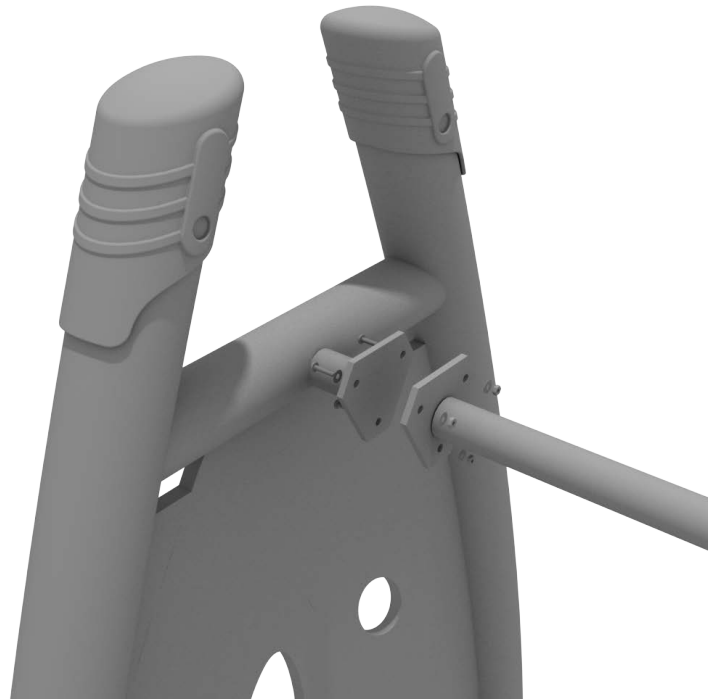
Connect half of the double slide clamp to the double slide hood using one (1) M8*30 bolt. Then, using the other half of the clamp and the hardware provided in the clamp hardware bag, attach the backside of the double slide clamp around the post.



Get Physical Series – Standard Attachment Point Installation

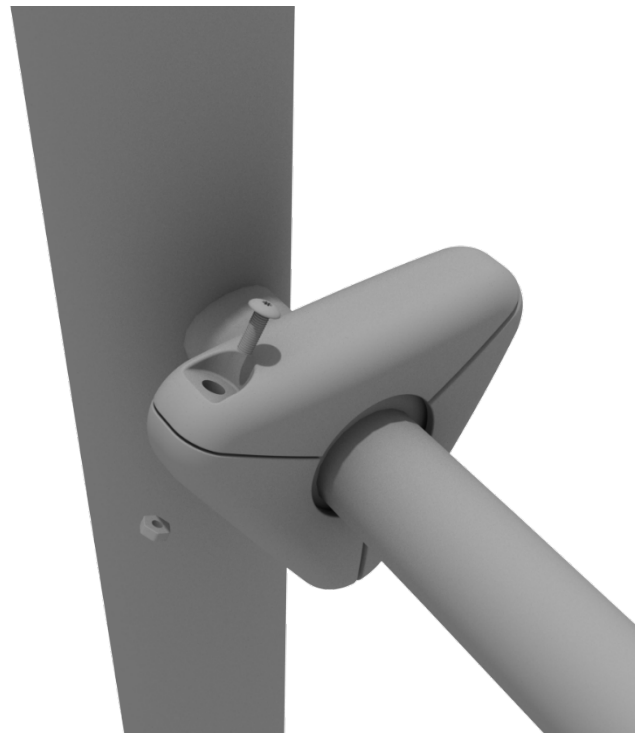
STEP: 1

Most components of a Get Physical series structure attach using this standard attachment point. Use three (3) M10*25 bolts, six (6) M10 washers, and three (3) M10 lock nuts.



STEP: 2

Each of these attachment points has a rubber cover to protect the bolts. Attach the cover and secure using the pre-attached M8*40 bolt and M8 lock nut.



ADA Ramp Install Guide

STEP: 1

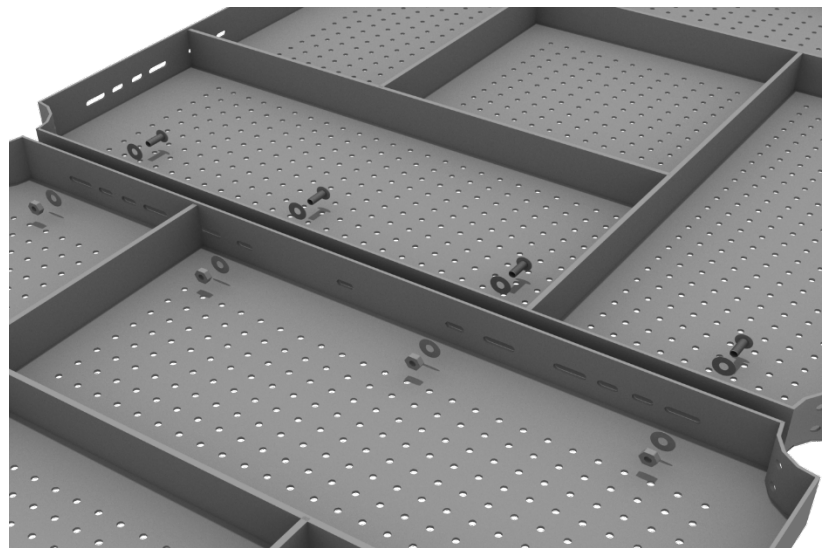
Some of the ADA Ramp sections will attach to the posts using deck clamps. Each deck clamp will attach to the ramp using one (1) M10*35 bolt, two (2) M10 washers, and one (1) M10 lock nut.

Deck clamps are pre-attached to the posts and should not be altered in any way.



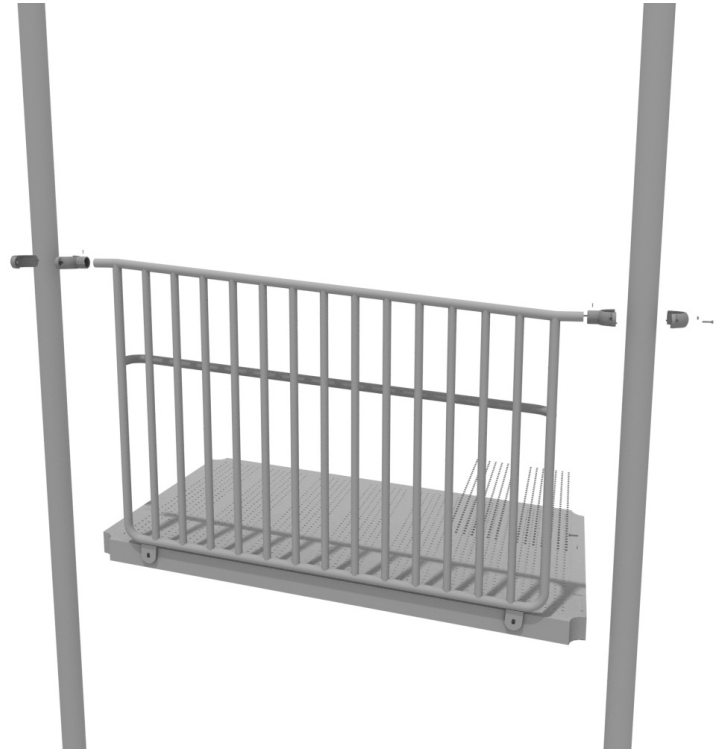
STEP: 2

The ADA Ramps connect to each other and to flat decks. On the underside of the deck, install using four (4) M10*25 Bolts, eight (8) M10 Washers, and four (4) M10 Lock Nuts. Repeat this process for every connection point.



STEP: 3

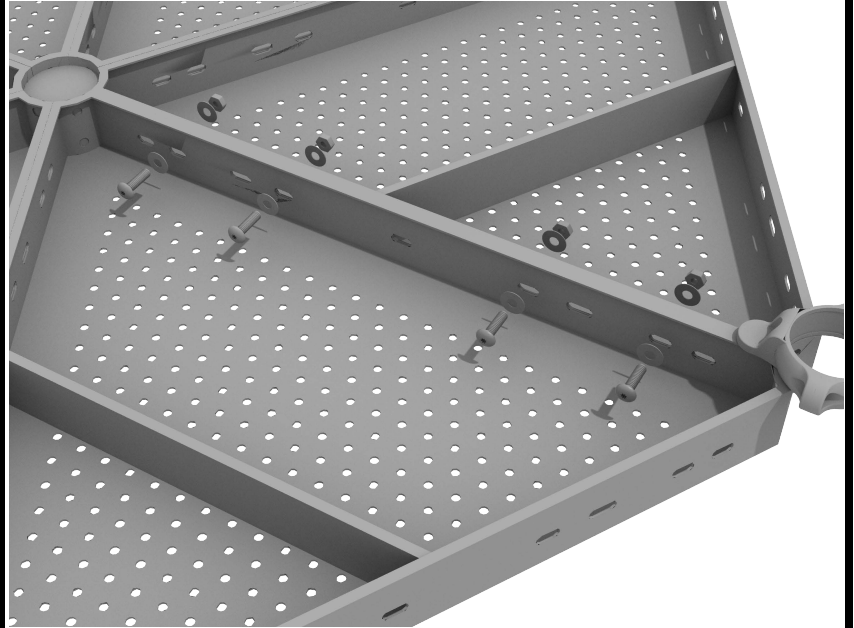
The ADA Ramp Handrails attach using tube clamps. See the Clamp Install Guide for detailed instructions on tube clamps.



Half Hex Deck Connect to Half Hex Deck

STEP: 1

When installing decks that are adjacent to one another at the same height, they should be bolted together. On the underside of the deck, install using four (4) M10*25 Bolts, eight (8) M10 Washers, and four (4) M10 Lock Nuts. Repeat this process for every set of adjacent decks.



Half Hex Deck Installation

STEP: 1

After the posts are in place, using five (5) M10*35 bolts, ten (10) M10 washers, and five (5) M10 lock nuts, attach the deck to each pre-attached deck clamp as shown in the image.

Deck clamps are pre-attached to the posts and should not be altered in any way.



Square Deck Installation

STEP: 1

After the posts are in place, using four (4) M10*35 Bolts, eight (8) M10 Washers, and four (4) M10 Lock Nuts, attach each square deck to each pre-attached deck clamp as shown in the image.

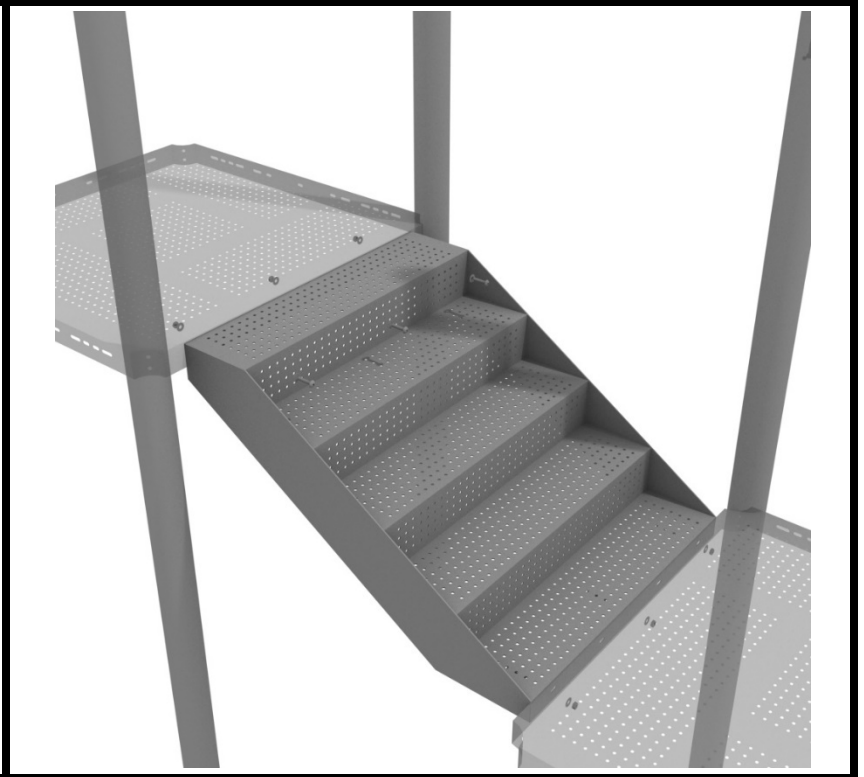
Deck clamps are pre-attached to the posts and should not be altered in any way.



4.5-Inch 2-foot Middle Stair Installation

STEP: 1

Using six (6) M10*25 bolts, twelve (12) M10 washers, and six (6) M10 lock nuts, attach the 2-foot connection stair to the assigned decks.



STEP: 2

Then, once the stair is in place, attach the 2-foot connection handrail to the posts using four (4) 4.5-inch offset clamps, and four (4) M8*30 bolts. Then, attach the bottom of the handrails to the stairs using one (1) M10*25 bolt, two (2) M10 washers, and one (1) M10 lock nut for each attachment point.



Created By: Kelly D.

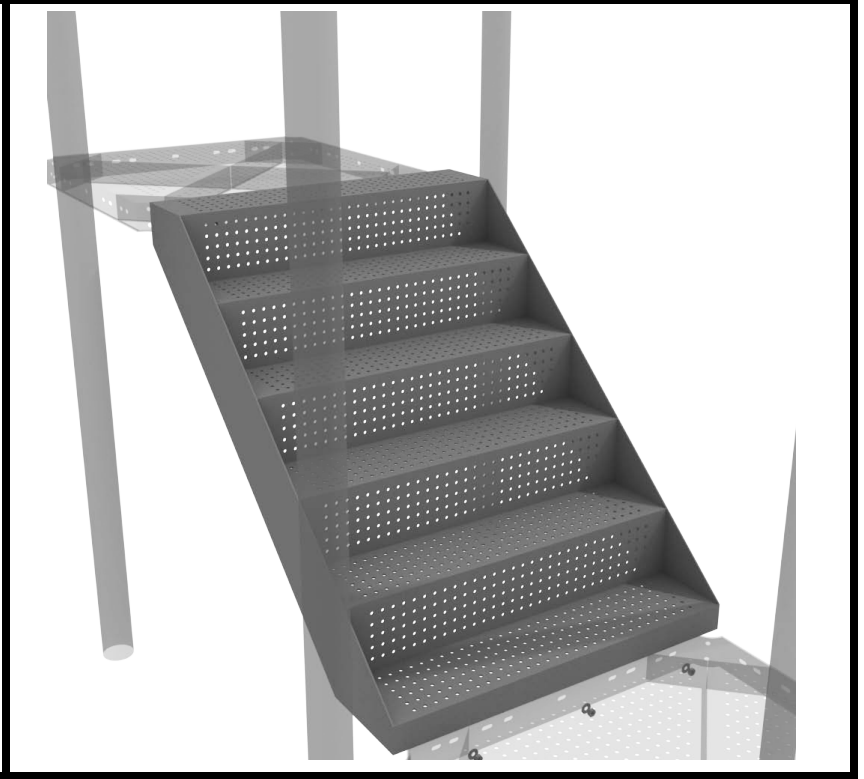
Date: 11/24/2020

10859 E Washington St. Suite 200
Indianapolis, IN 46229
1-800-667-0097

3-Foot Middle Stair Installation

STEP: 1

Using six (6) M10*25 bolts, twelve (12) M10 washers, and six (6) M10 lock nuts, attach the 3-foot connection stair to the assigned decks.



STEP: 2

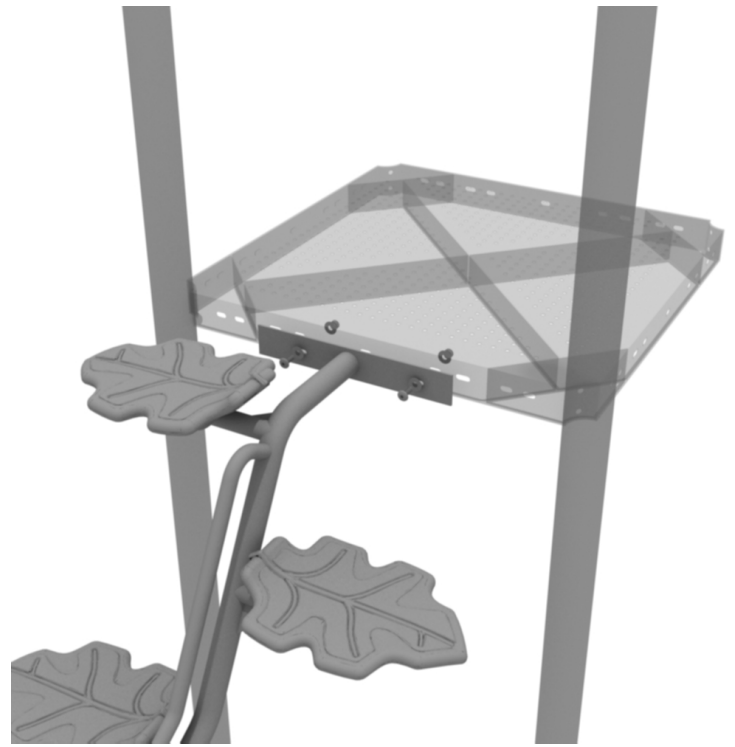
Then, once the stair is in place, attach the 3-foot connection handrail to the posts using four (4) 4.5-inch tube clamps, and four (4) M8*30 bolts. Then, attach the bottom of the handrails to the decks using one (1) M10*25 bolt, two (2) M10 washers, and one (1) M10 lock nut for each attachment point.



3-Foot Wavy Leaf Climber Install

STEP: 1

See general installation guide regarding footing information for the lotus climber. Using two (2) M10*25 bolts, four (4) M10 washers, and two (2) M10 lock nuts, attach the climber to the deck.

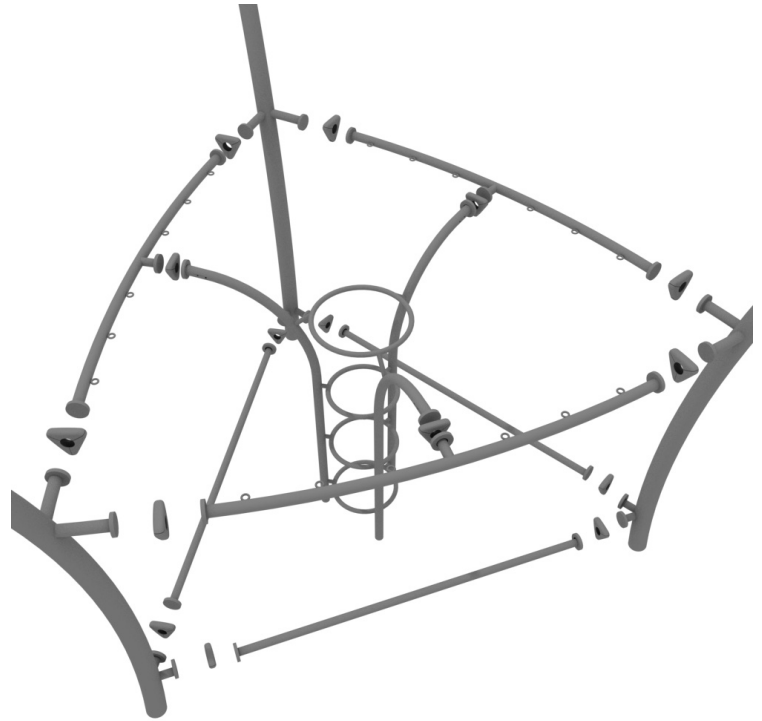


Combination Manhole Climber with Side Nets Install

STEP: 1

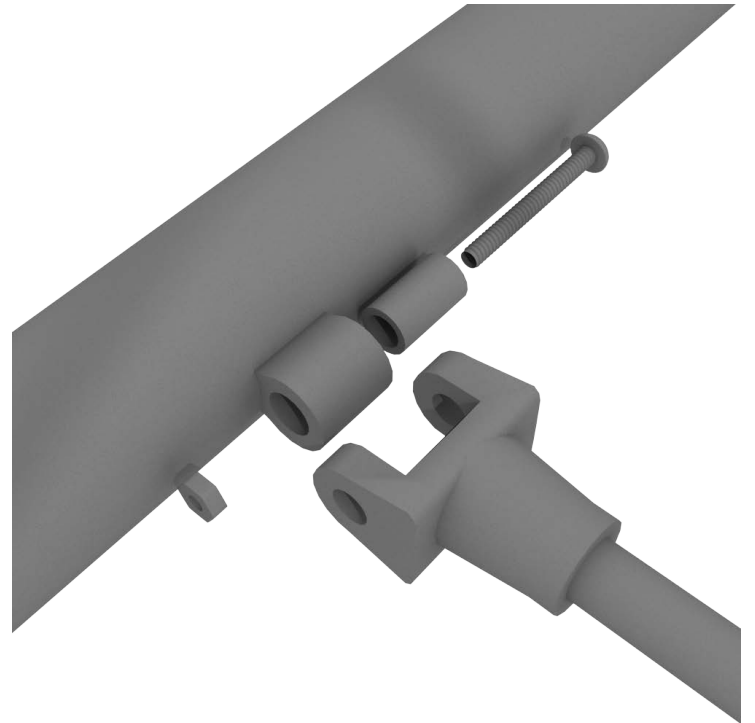
The Combination Manhole Climber will attach to the support posts via the Standard Attachment Points.

For detailed info see the Standard Attachment Point guide at the beginning of this document.



STEP: 2

Connect the nets to the outer frame using one (1) M8*50 bolt, one (1) plastic spacer, and one (1) M8 lock nut for each attachment point.



Combination Manhole Climber with Side Nets Install

STEP: 3

Repeat step 2 until all attachment points are connected.

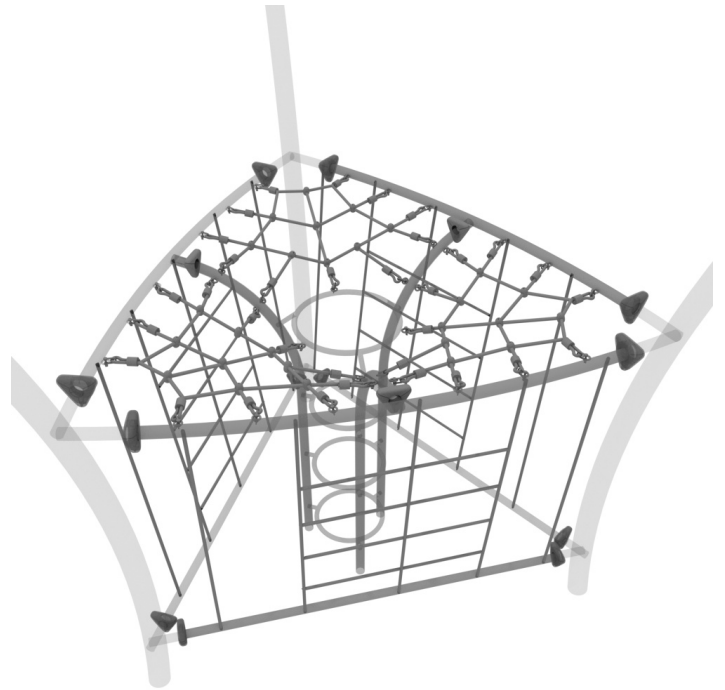
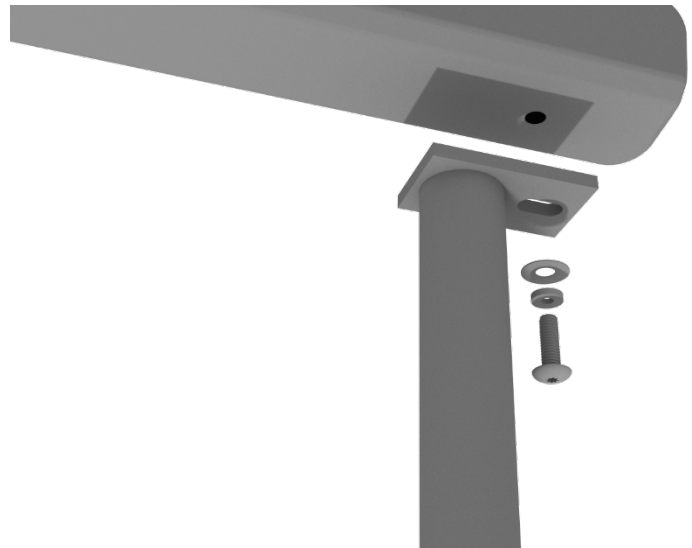


Figure Climber Installation

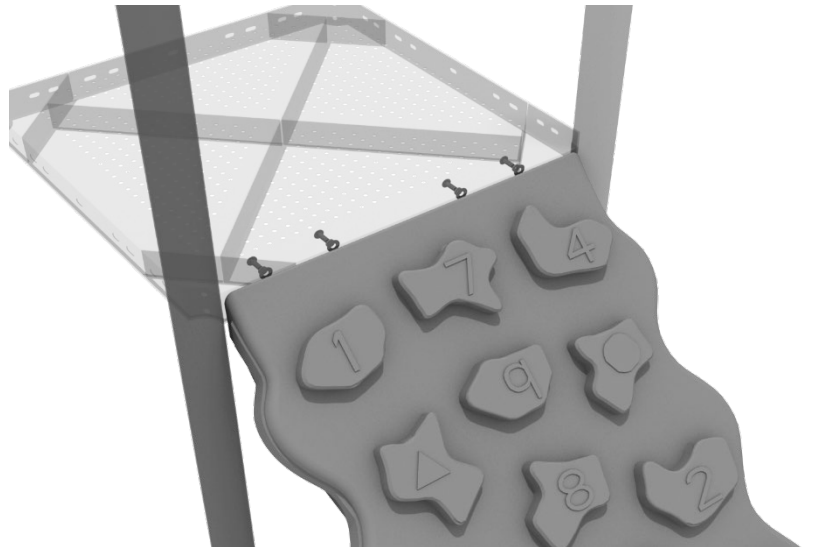
STEP: 1

See general installation guide regarding footing information for the figure climber. Using two (2) M10*20 bolts, two (2) M10 spring gaskets, and two (2) M10 washers, attach the bottom of the figure climber to the climber end mounts.



STEP: 2

Using four (4) M10*20 bolts, four (4) M10 spring gaskets, and four (4) M10 washers, attach the figure climber to the square deck.



Freestanding Pod Climber Install

See general installation guide regarding footing information. Freestanding pod climber requires a 12" x 18" footing.

Age 2-5: Set no more than 12" apart.

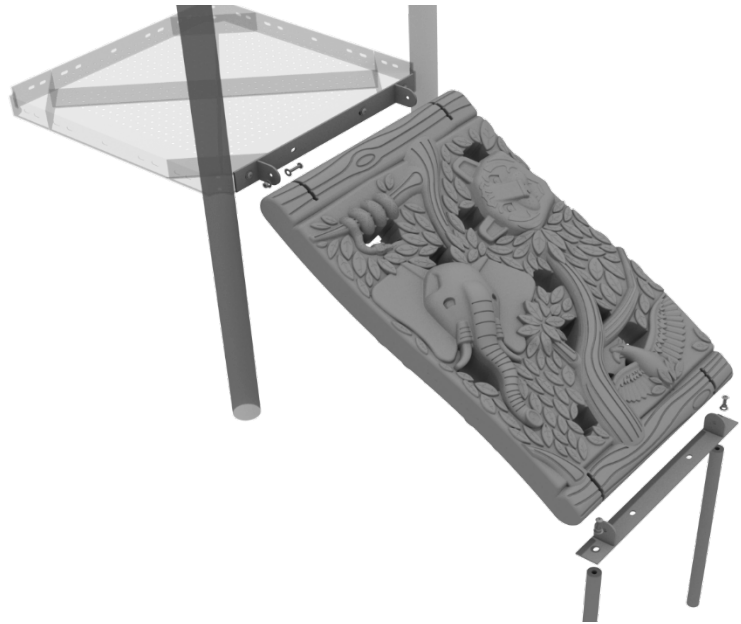
Age 5-12: Set no more than 18" apart.



Jungle Climber Installation

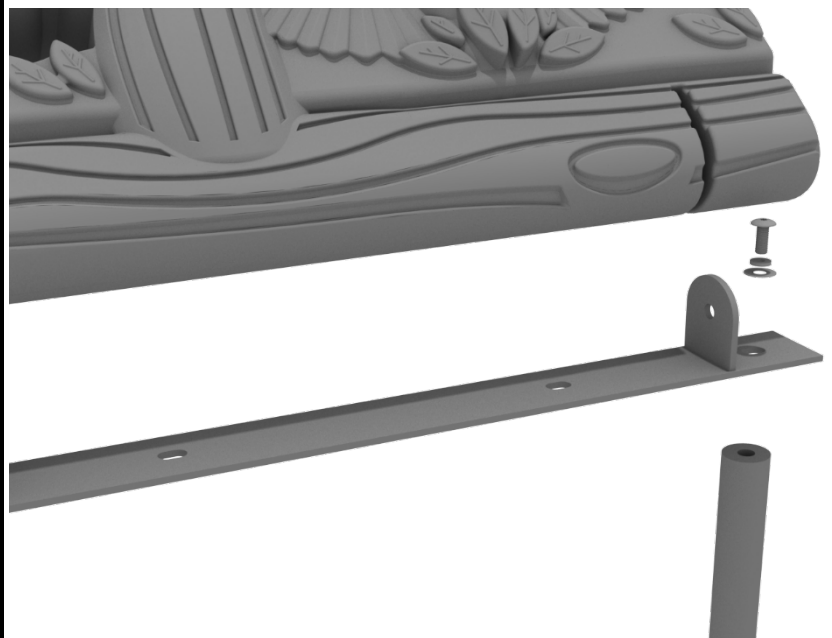
STEP: 1

First, detach the pre-attached bracket on the end of the climber that has four (4) Bolts attached, and attach it to the designated deck.



STEP: 2

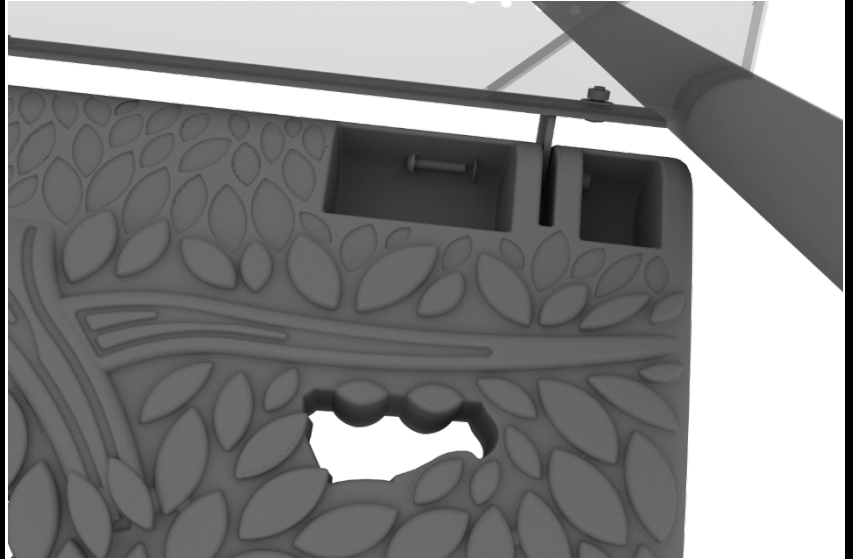
Then, attach the provided support mounts to the other side of the Jungle Climber using the pre-attached bolt. See general installation guide regarding footing information for the figure climber.



Jungle Climber Installation

STEP: 3

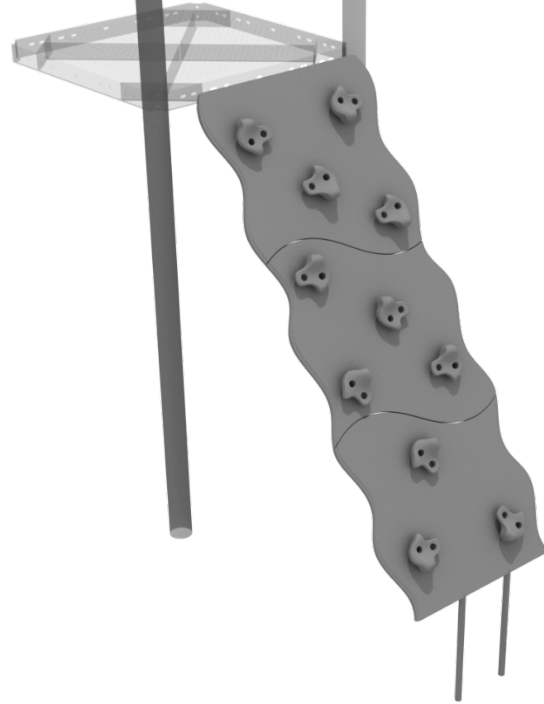
Finally, re-attach the climber back to the mounting plate using the original pre-attached hardware.



PE Wavy Rock Climber Installation

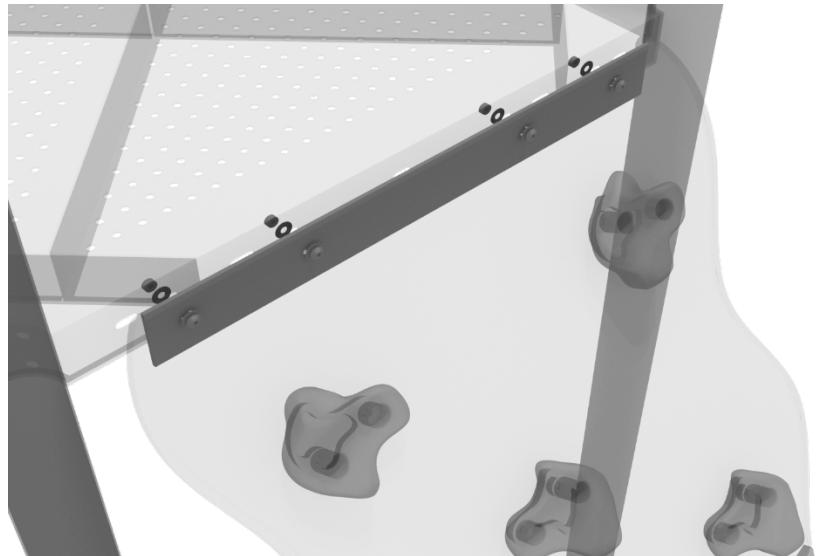
STEP: 1

See general installation guide regarding footing information for the wavy PE rock climber.



STEP: 2

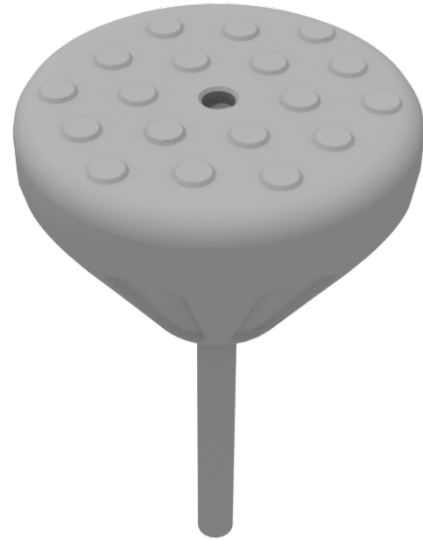
Then, using four (4) M10*55 bolts, eight (8) M10 washers, and four (4) M10 lock nuts, attach the climber to the deck.



Pebble Climber Installation

STEP: 1

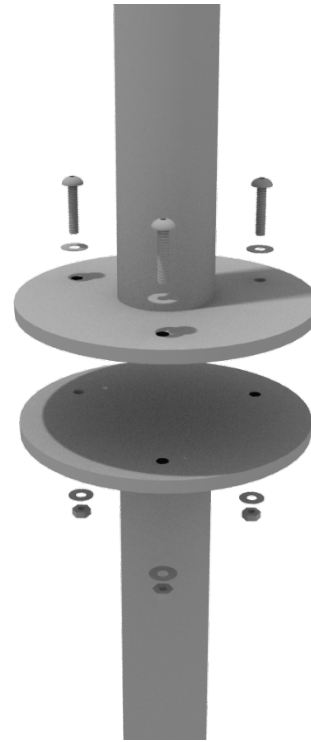
See general installation guide regarding footing information. Pebble climber requires a 12" x 18" footing.



Pod Climber Installation

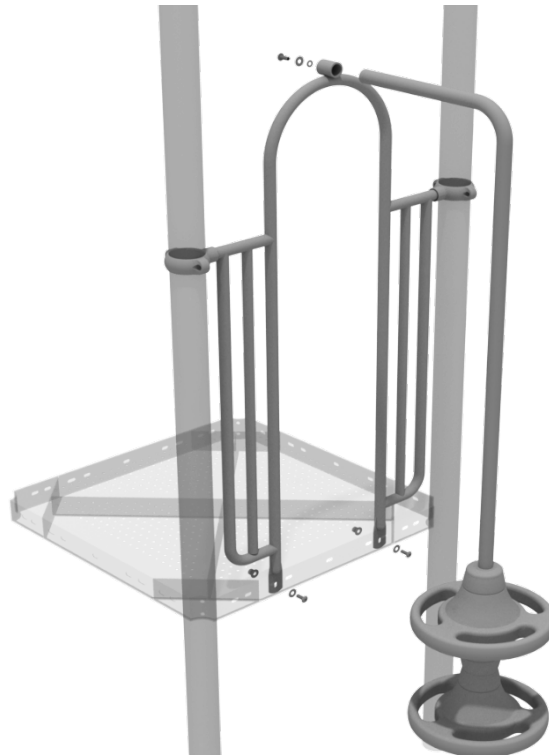
STEP: 1

See general installation guide regarding footing information for the pod climber. Attach the circle end mount to the bottom of the climber using the pre-attached hardware. Each attachment uses three (3) M10*20 bolts, three (3) M10 spring gaskets, and one (3) M10 large gaskets.



STEP: 2

Attach the top of the climber to the designated arch rail top bracket using one (1) M10*20 bolt, one (1) M10 spring washer, and one (1) M10 washer.



10859 E Washington St. Suite 200
Indianapolis, IN 46229
1-800-667-0097

Created By: Aaron Price
Date: 03/21/2018

Rock Hole Climber Installation

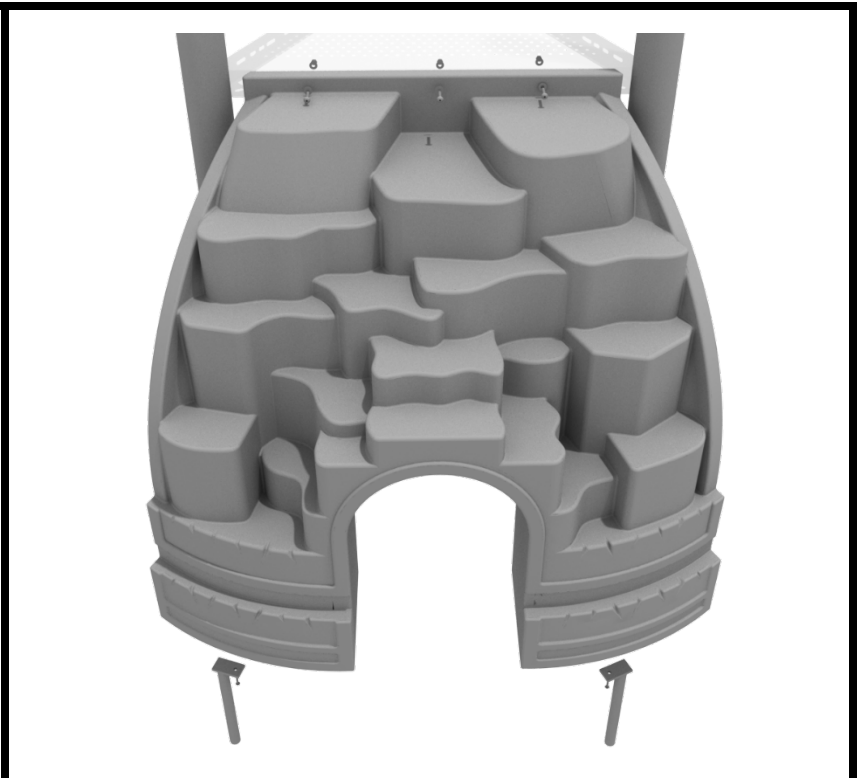
STEP: 1

See general installation guide regarding footing information for the Rock Hole climber. Using two (2) M10*20 bolts, two (2) M10 spring gaskets, and two (2) M10 washers, attach the bottom of the rock whole climber to the climber support posts.



STEP: 1

Then, using three (3) M10*20 bolts, three (3) M10 spring washers, and three (3) M10 washers, attach the Rock hole climber to the deck.



PE Vertical Climber Installation

STEP: 1

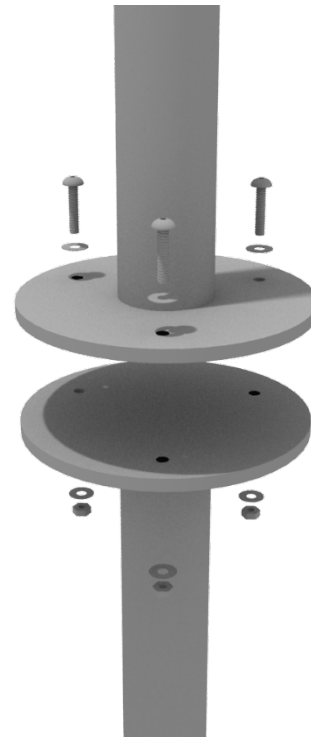
Dig the proper holes for the PE Vertical Climber and attach the top of the climber to the deck using three (3) M10*55 bolts, six (6) M10 washers, and three (3) M10 lock nuts.



Standing Orbital Spinner

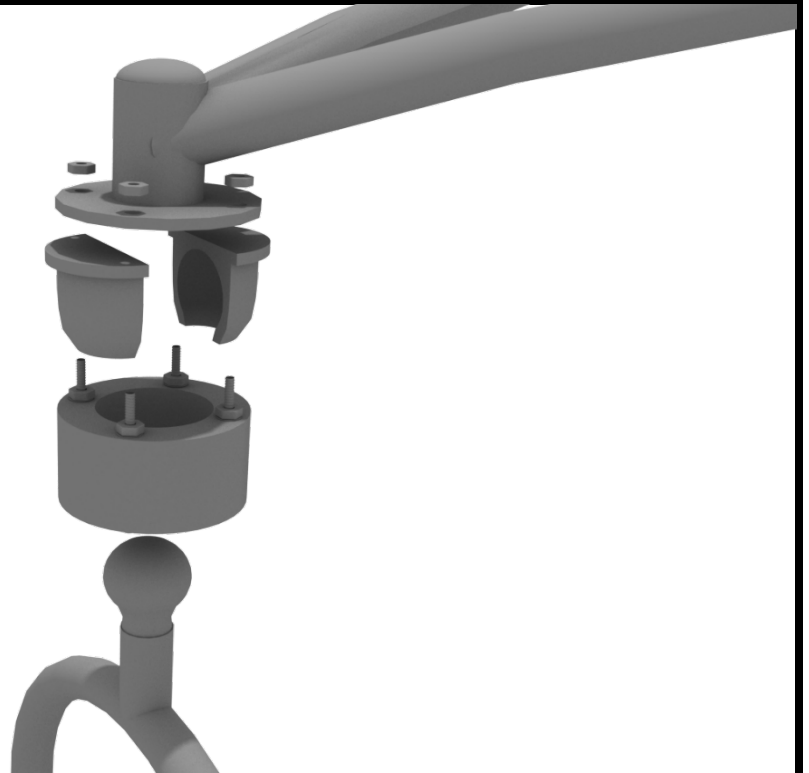
STEP: 1

Refer to the General Installation Guide regarding the spinner mount. Attach the spinner ground mount to the spinner using three (3) M10*20 bolts, three (3) M10 spring gaskets, and one (3) M10 large gaskets.



STEP: 2

Then, attach the top connection bracket to the spinner using the pre-attached hardware.



Standing Orbital Spinner

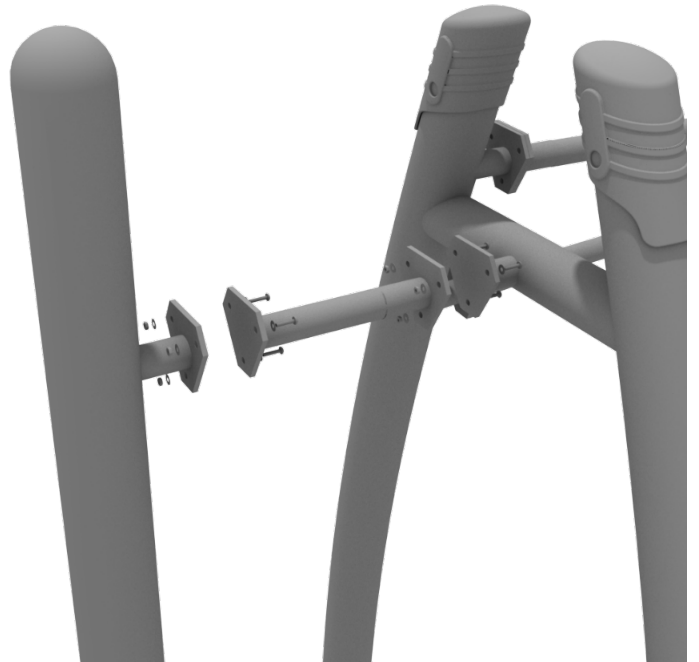
STEP: 3

Attach the entire spinner to the support posts using (3) M10*25 bolts, six (6) M10 washers, and three (3) M10 lock nuts for each bracket.



STEP: 4

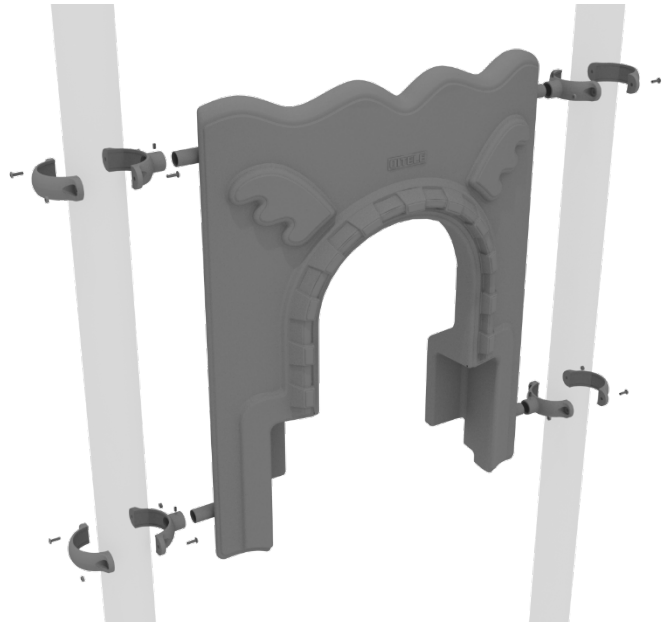
Attach the Connection Bar from the Arch Post to the Single post using (3) M10*25 bolts, six (6) M10 washers, and three (3) M10 lock nuts for each connection.



3-foot Straight Slide Installation

STEP: 1

Attach the Castle Slide Hood (ground) to the designated posts using four (4) tube clamps four (4) M4*25 Set Screws.



STEP: 2

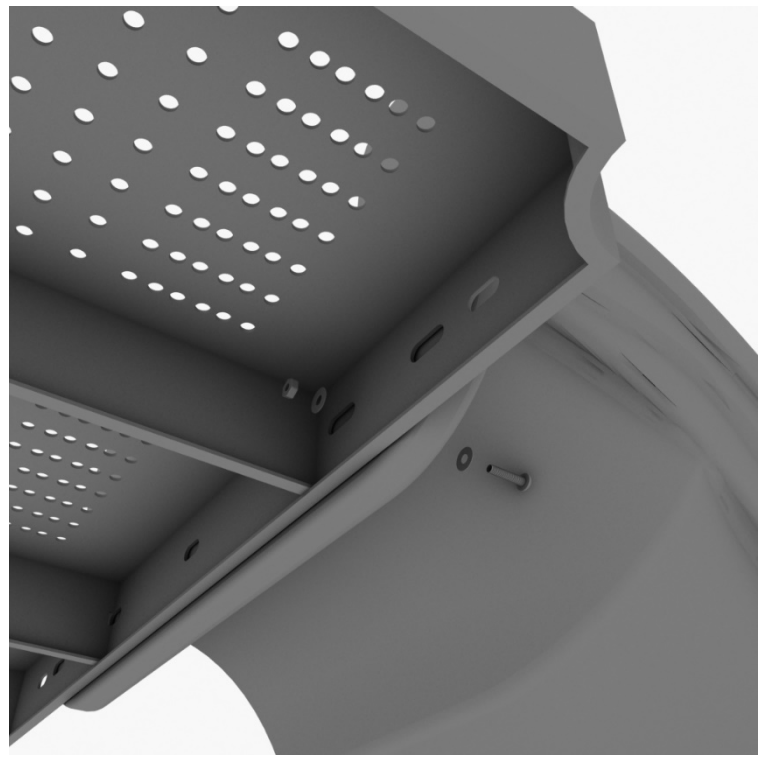
See general installation guide regarding footing information for the slide end mount. Using two (2) M8*20, two (M8) spring gaskets. And two (2) M8 washers, attach the slide to the slide support post.



3-foot Straight Slide Installation

STEP: 3

Using one (1) M10*45 bolt, two (2) M10 washers, and two (2) M10 lock nuts, attach one side of the slide to the deck.



STEP: 4

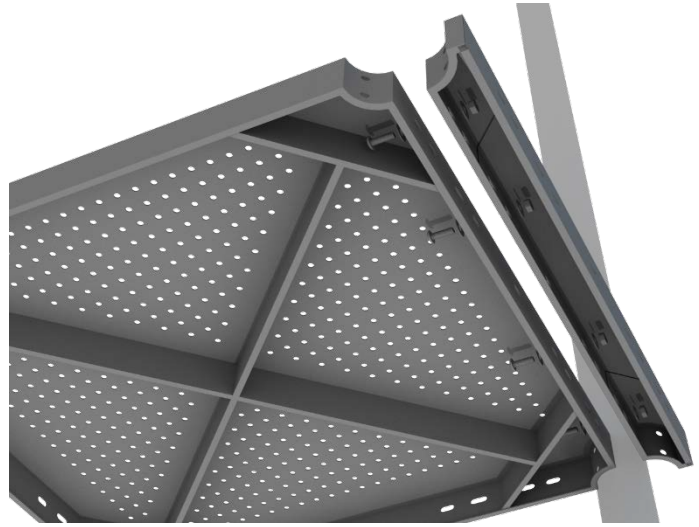
Using one (1) M8*45 bolt, one (1) M8 washer, one (1) M12 washer, and one (1) M12 inner hex spiral nut, attach the slide to one side of the slide hood. Repeat this process for the other side of the slide.



4-foot Double Straight Slide Installation

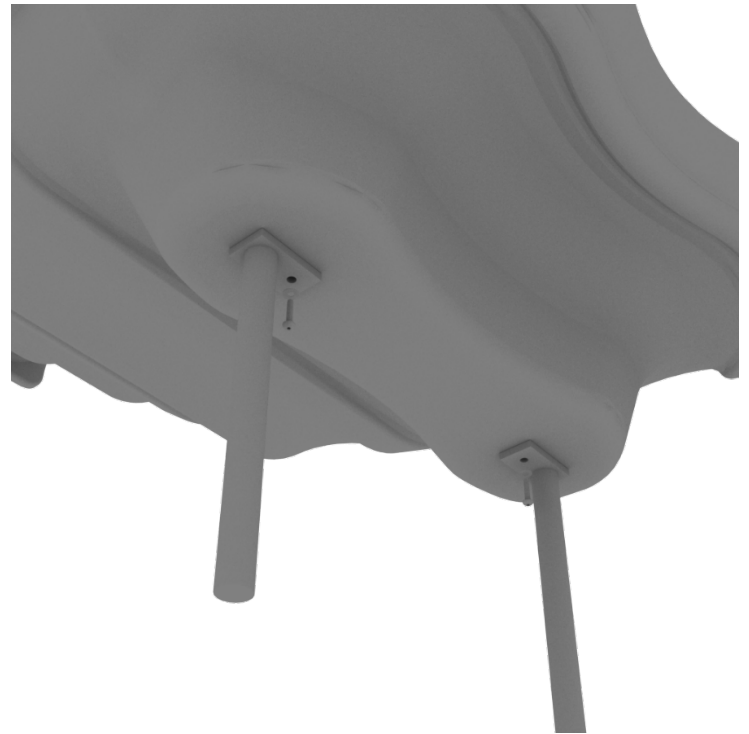
STEP: 1

For the double slide, you will first need to attach the double slide deck extension. This will require four (4) M10*25 bolts, eight (8) M10 washers, and four (4) M10 lock nuts.



STEP: 2

Then, See general installation guide regarding footing information for the double slide end mounts. Using two (2) M8*20 bolts, two (2) M8 spring gaskets, and two (2) M8 washers, attach the slide end mounts to the double slide.



4-foot Double Straight Slide Installation

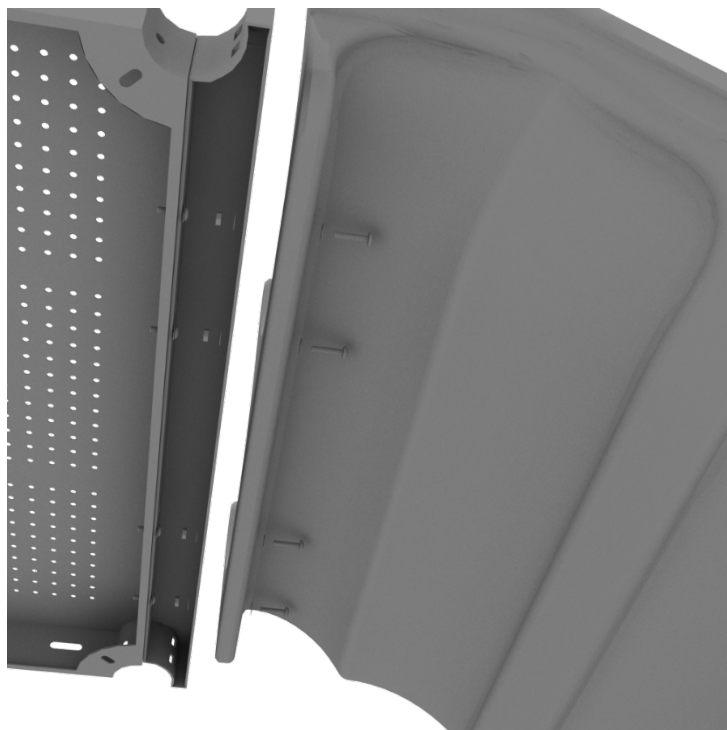
STEP: 3

Then, See general installation guide regarding footing information for the double slide middle support. Attach the middle support to the slide using two (2) M8*20 bolts, two (2) M8 spring washers, and two M8 washers.



STEP: 4

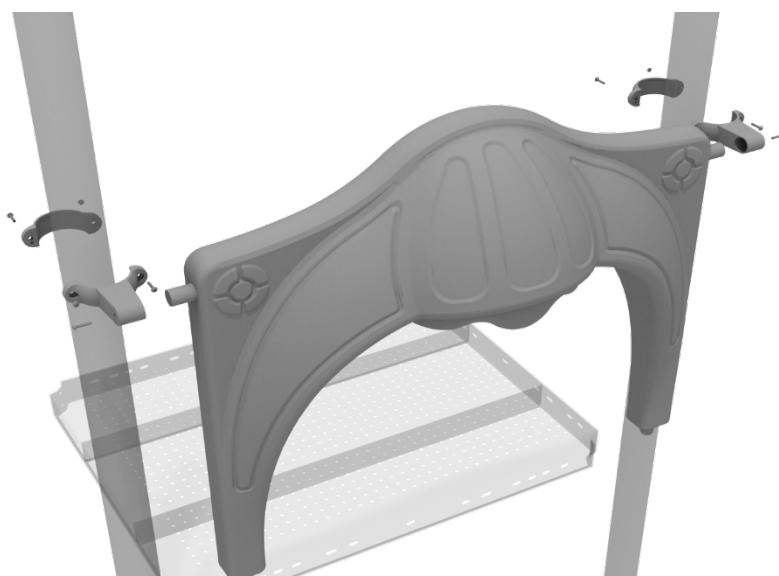
Then, attach the slide to the deck extension using four (4) M10*45 bolts, eight (8) M10 washers, and four (4) M10 lock nuts.



4-foot Double Straight Slide Installation

STEP: 5

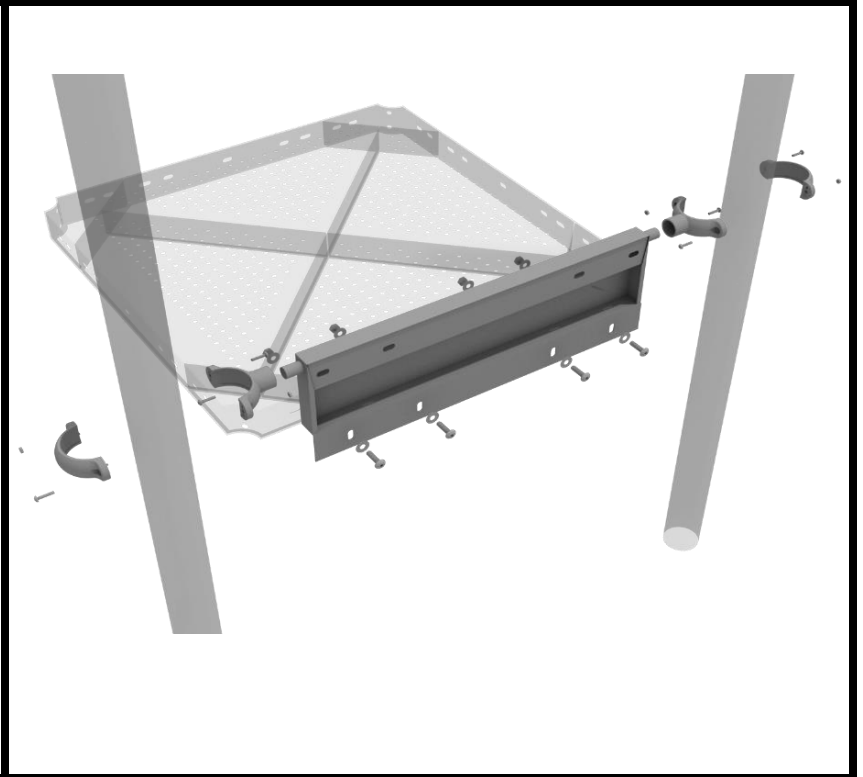
Once the slide is attached, take the double slide hood and insert it into the top of the slide, and then attach the top using two (2) double slide clamps, and two (2) M8*30 bolts.



Spiral Slide Installation

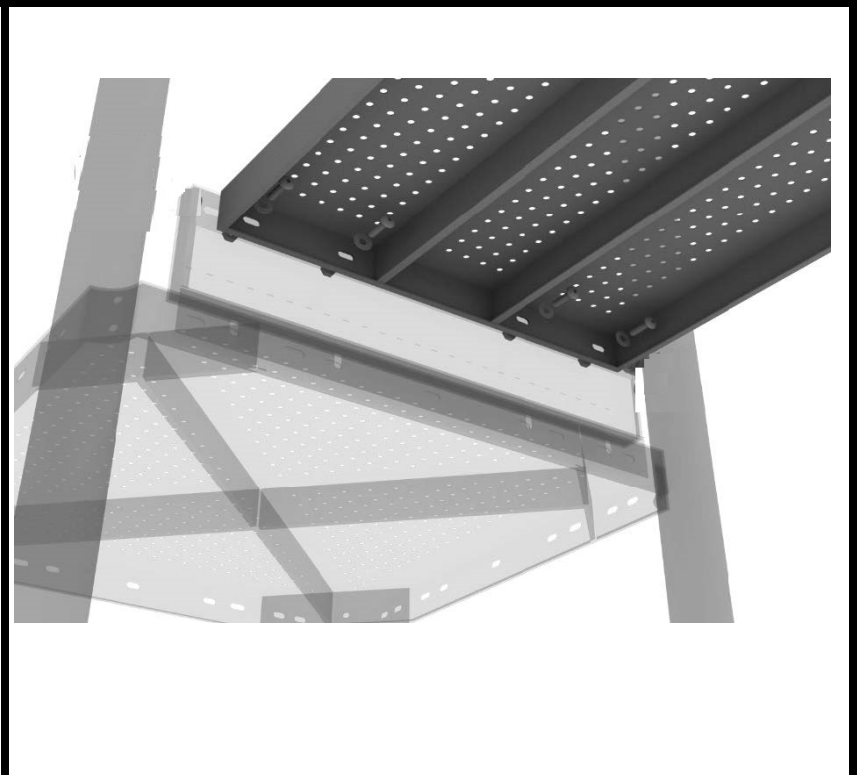
STEP: 1

Attach the spiral slide kick plate to the proper square deck using four (4) M10*25 bolts, eight (8) M10 washers, four (4) M10 lock nuts.



STEP: 2

Attach the spiral slide deck to the top of the spiral slide kick plate using four (4) M10*25 bolts, eight (8) M10 washers, and four (4) M10 lock nuts.



Spiral Slide Installation

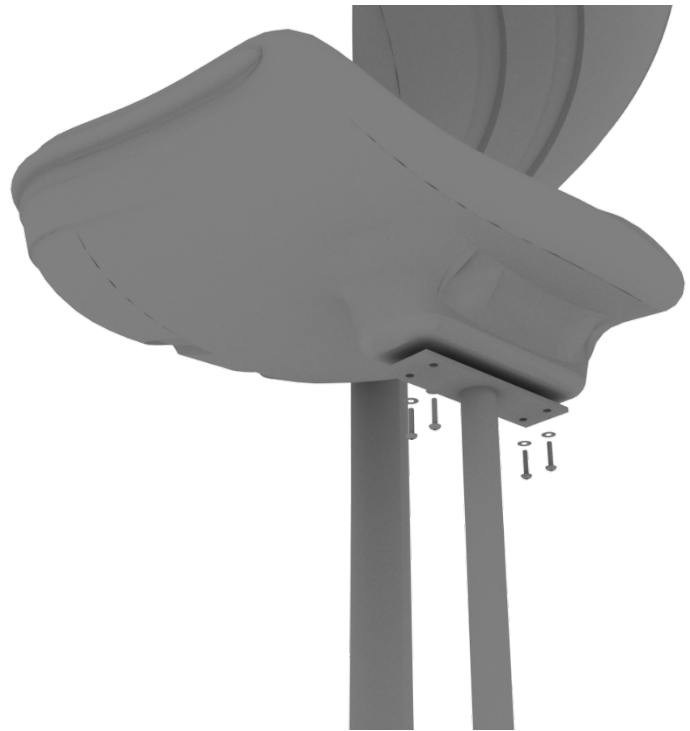
STEP: 3

Attach the Spiral Slide Deck Support Post to the Spiral Slide Deck using two (2) M10*25 Bolts, four (4) M10 Washers, and two (2) M10 Lock Nuts.



STEP: 4

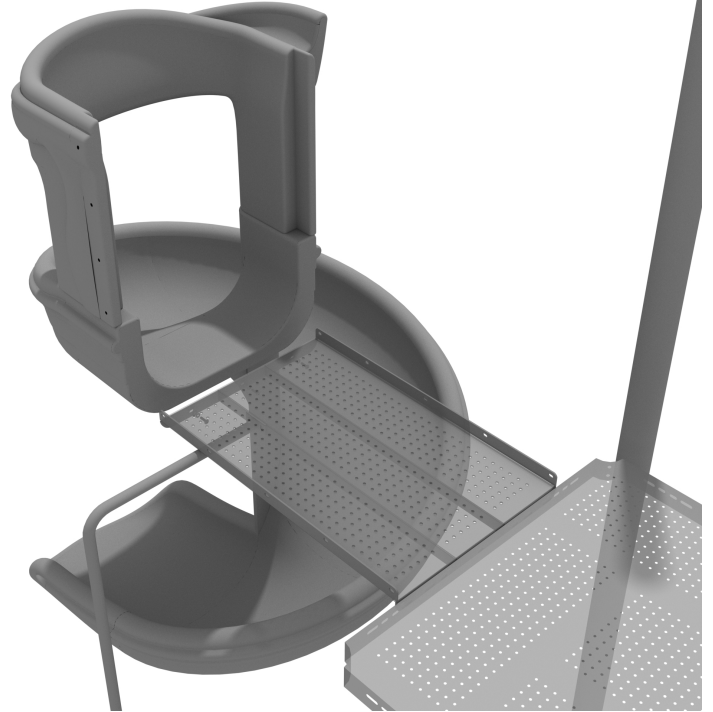
Connect the Spiral Slide Mount to the bottom of the Spiral Slide using four (4) M10*20 Bolts, four (4) M10 Spring Gaskets, and four (4) M10 Washers. Refer to the General Installation Guide for information on slide footings.



Spiral Slide Installation

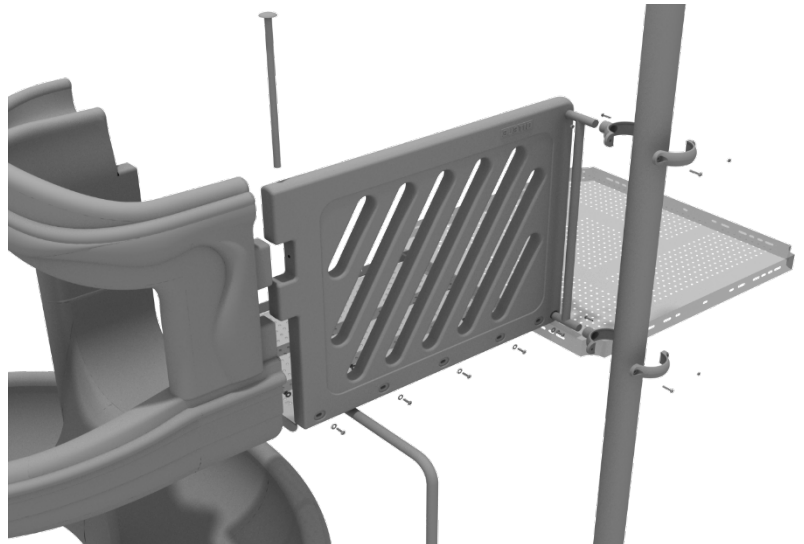
STEP: 5

See general installation guide regarding footing information for slides and support posts. Connect the Spiral Slide to the Spiral Slide Deck using three (3) M10*20 Bolts, three (3) M10 Spring Gaskets, and three (3) M10 Washers.



STEP: 6

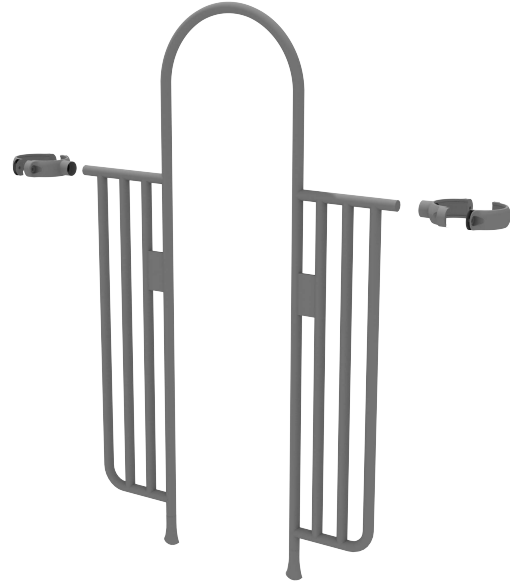
Attach the Spiral Slide Handrail to the Spiral Slide Deck using five (5) M8*60 Bolts, five (5) M8 Washers, five (5) M12 Washers, and five (5) M12 Inner Hex Nuts. Insert the Metal Pole to stabilize the connection of the handrail to the slide, then connect the handrails to the posts using two (2) tube clamps. Repeat this process for the other handrail.



4.5-Inch 2-Clamp Arch Rail with Climber Connect Installation

STEP: 1

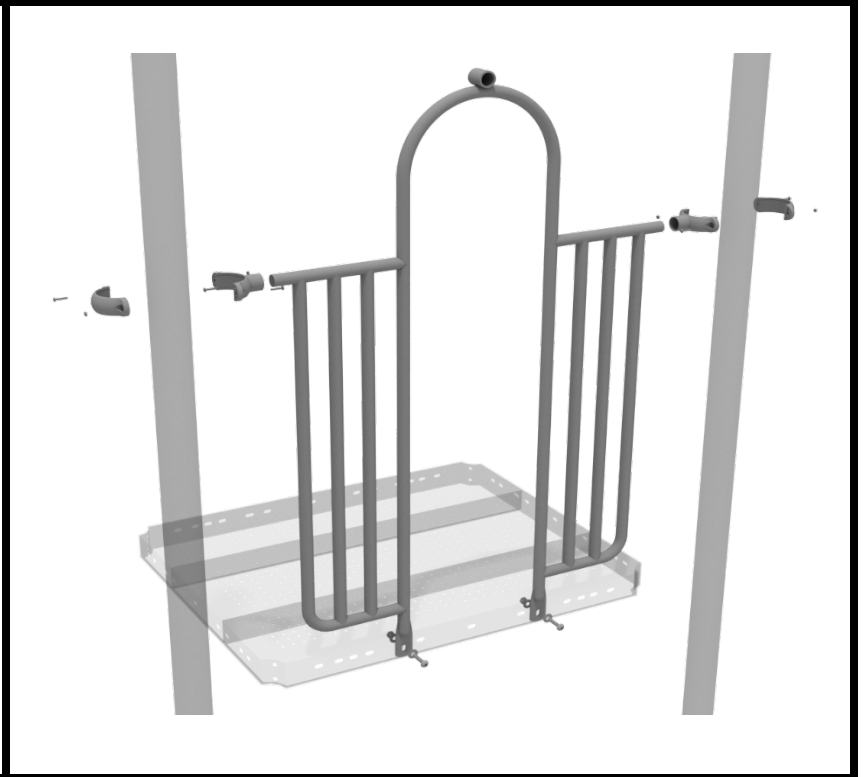
Attach the Arch Rail to the designated posts by connect half of the tube clamp to the arch rail using one (1) M8*30 bolt. Repeat this process for each post attachment point. Then, attach the rail to the deck using two (2) M10*25 bolts, four (4) M10 washers, and two (2) M10 lock nuts. Finally, attach the second half of the clamp around the post.



4.5-inch 2-Clamp Arch Rail Installation

STEP: 1

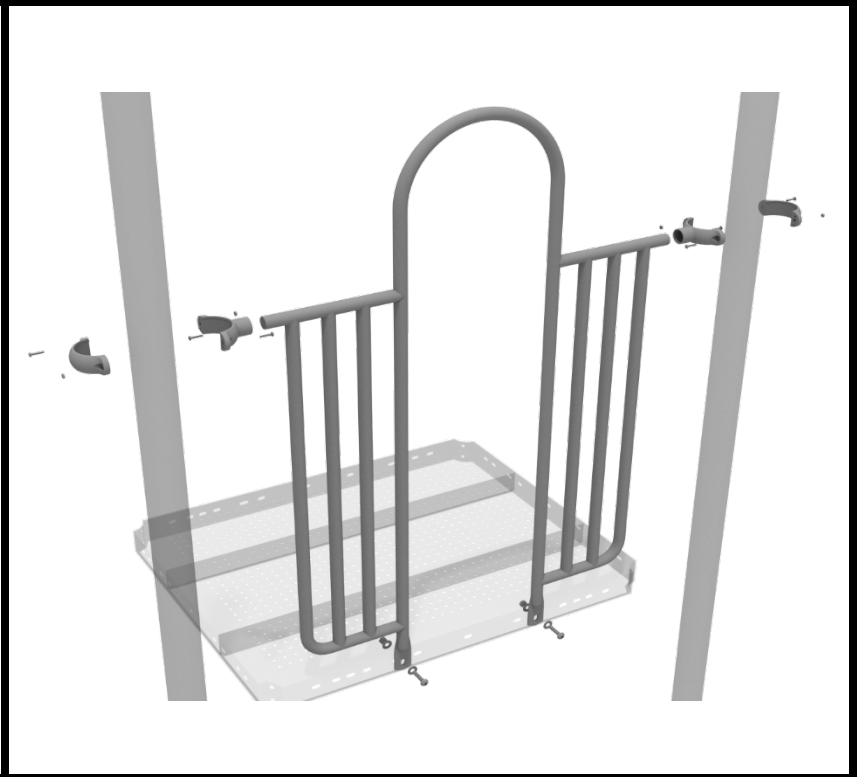
Attach the Arch Rail to the designated posts by connect half of the tube clamp to the arch rail using one (1) M8*30 bolt. Repeat this process for each post attachment point. Then, attach the rail to the deck using two (2) M10*25 bolts, four (4) M10 washers, and two (2) M10 lock nuts. Finally, attach the second half of the clamp around the post.



4.5-inch 2-Clamp Arch Rail Installation

STEP: 1

Attach each two-clamp arch rail to the designated deck by using two (2) tube clamps, and two (2) M4*25 self-tapping screws to attach the top of the panel to the posts. Then use two (2) M10*25 bolts, four (4) M10 washers, and two (2) M10 lock nuts to attach the panel to the deck.



4.5-inch 4-Clamp Arch Rail Installation

STEP: 1

Attach the Arch Rail to the designated posts by connect half of the tube clamp to the arch rail using one (1) M8*30 bolt. Repeat this process for each attachment point.

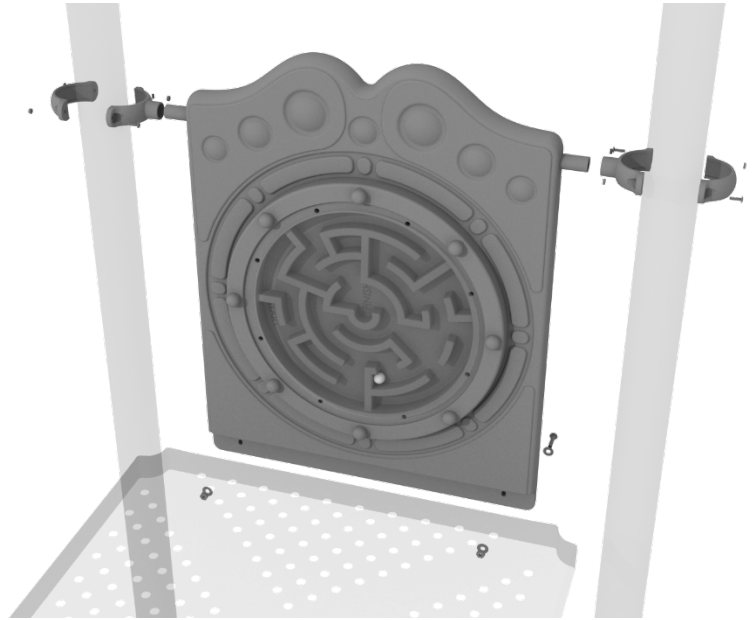
Set the arch rail into place, then attach the second half of the clamp around the post. The gap between the deck and the bottom of the rail should be no more than 3 inches.



4.5-inch Ball Maze Panel Installation

STEP: 1

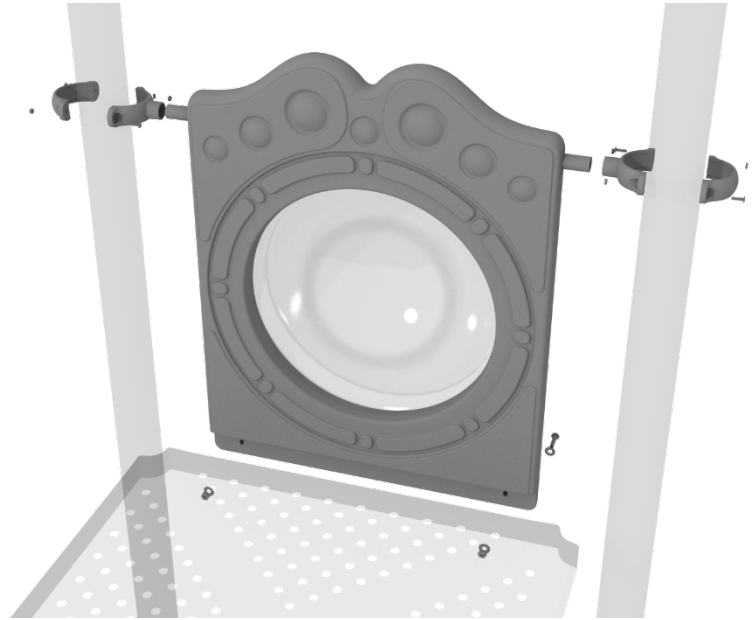
Attach two tube clamps to the Ball Maze Panel using two (2) M4*25 self-tapping screws and attach those clamps to the proper support posts. Then, attach the bottom of the metal barrier to the deck using two (2) M10*50 bolts, four (4) M10 washers, and two (2) M10 lock nuts.



4.5-inch Bubble Panel Installation

STEP: 1

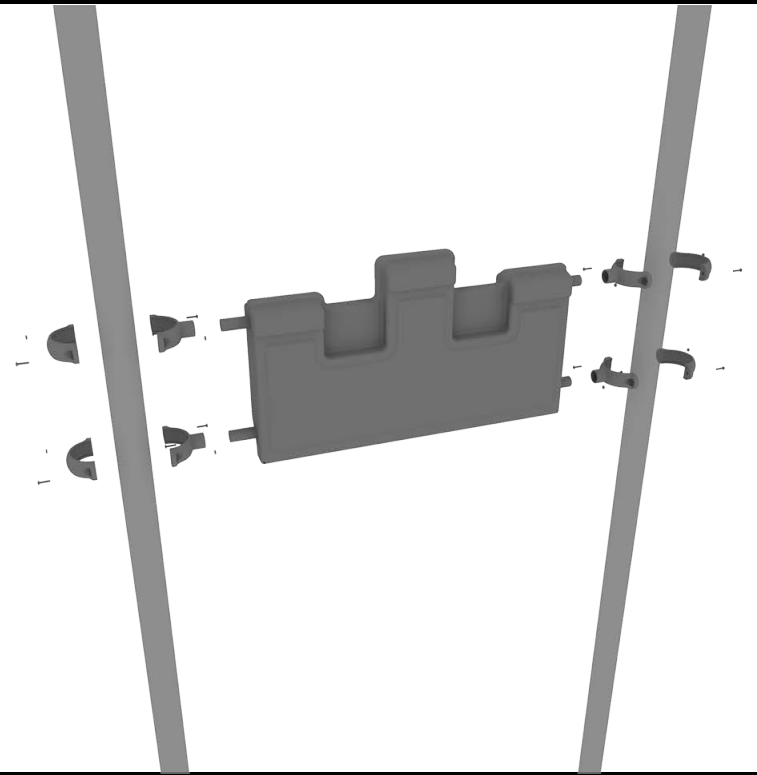
Attach two tube clamps to the Bubble Panel using two (2) M4*25 self-tapping screws and attach those clamps to the proper support posts. Then, attach the bottom of the metal barrier to the deck using two (2) M10*50 bolts, four (4) M10 washers, and two (2) M10 lock nuts.



4.5-inch Castle Crenel Topper Installation

STEP: 1

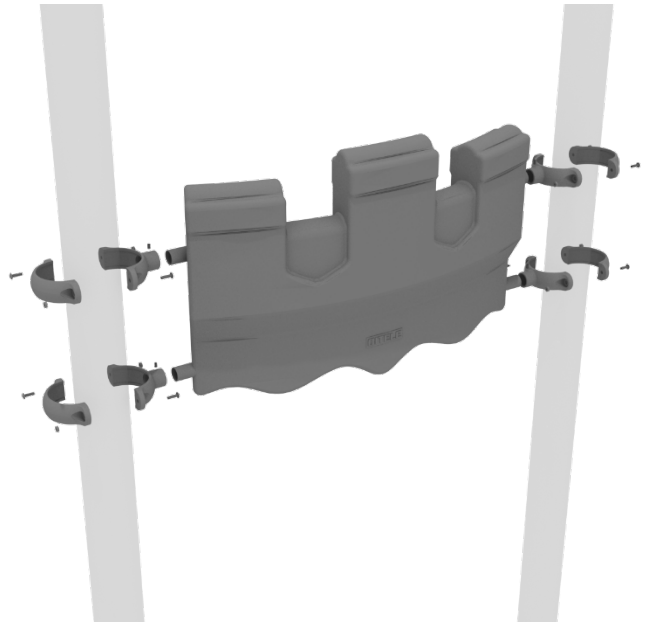
Attach the Crenel Panel to the designated posts using four (4) tube clamps four (4) M4*25 Set Screws.



4.5-inch Castle Wall Post Topper Installation

STEP: 1

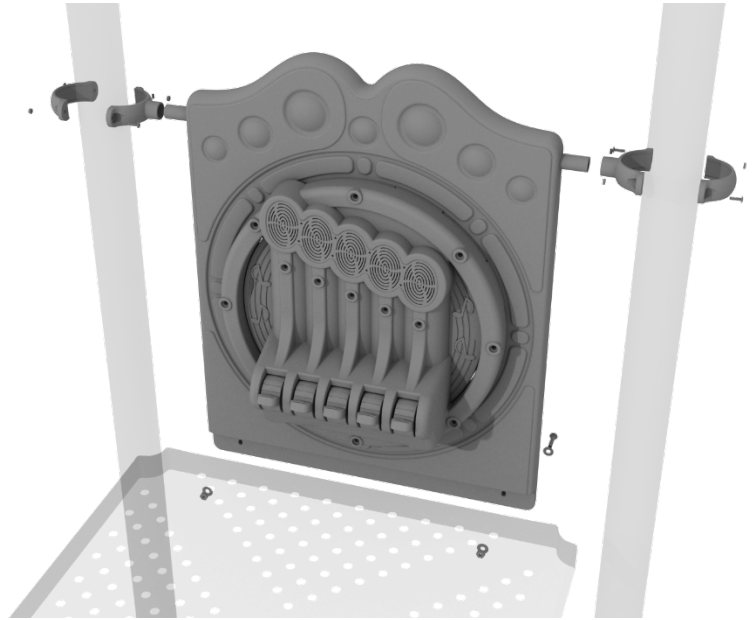
Attach the Castle Wall Post Topper to the designated posts using four (4) tube clamps four (4) M4*25 Set Screws.



4.5-inch Chime Panel Installation

STEP: 1

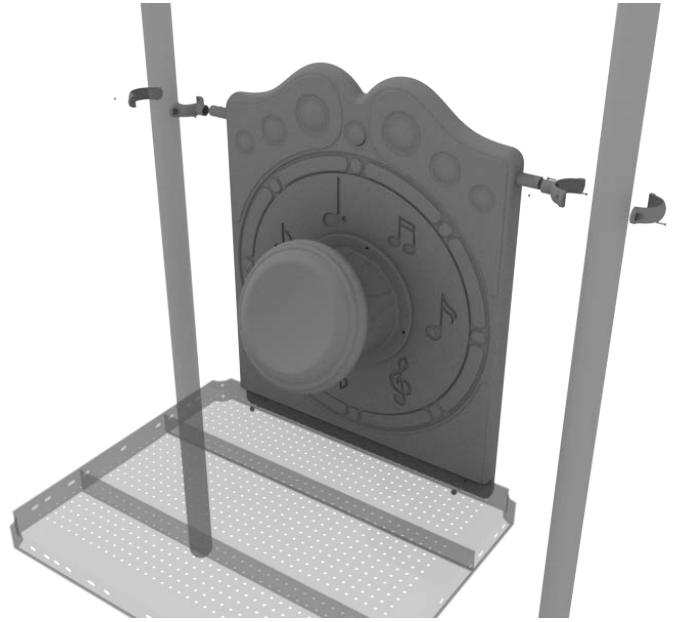
Attach two tube clamps to the Chime Panel using two (2) M4*25 self-tapping screws and attach those clamps to the proper support posts. Then, attach the bottom of the metal barrier to the deck using two (2) M10*50 bolts, four (4) M10 washers, and two (2) M10 lock nuts.



4.5-inch Drum Panel Installation

STEP: 1

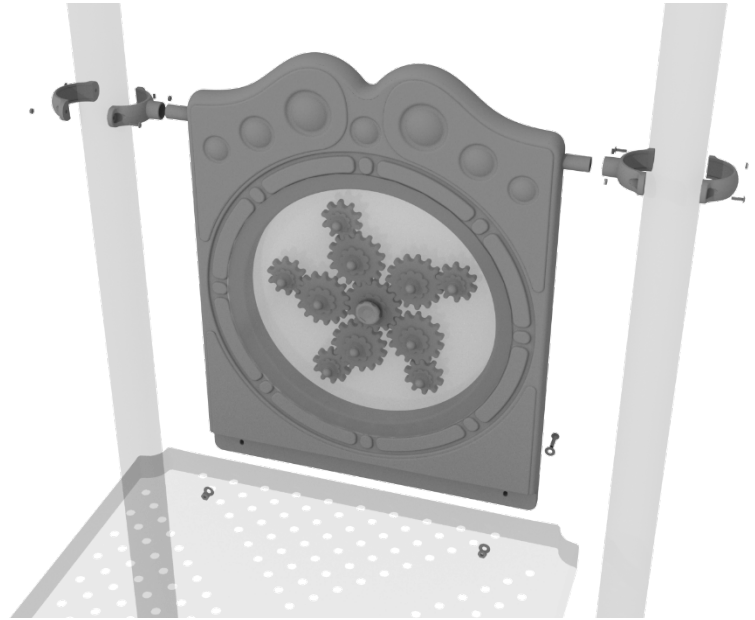
Attach two tube clamps to the Drum Panel using two (2) M4*25 self-tapping screws and attach those clamps to the proper support posts. Then, attach the bottom of the metal barrier to the deck using two (2) M10*50 bolts, four (4) M10 washers, and two (2) M10 lock nuts.



4.5-inch Gear Panel Installation

STEP: 1

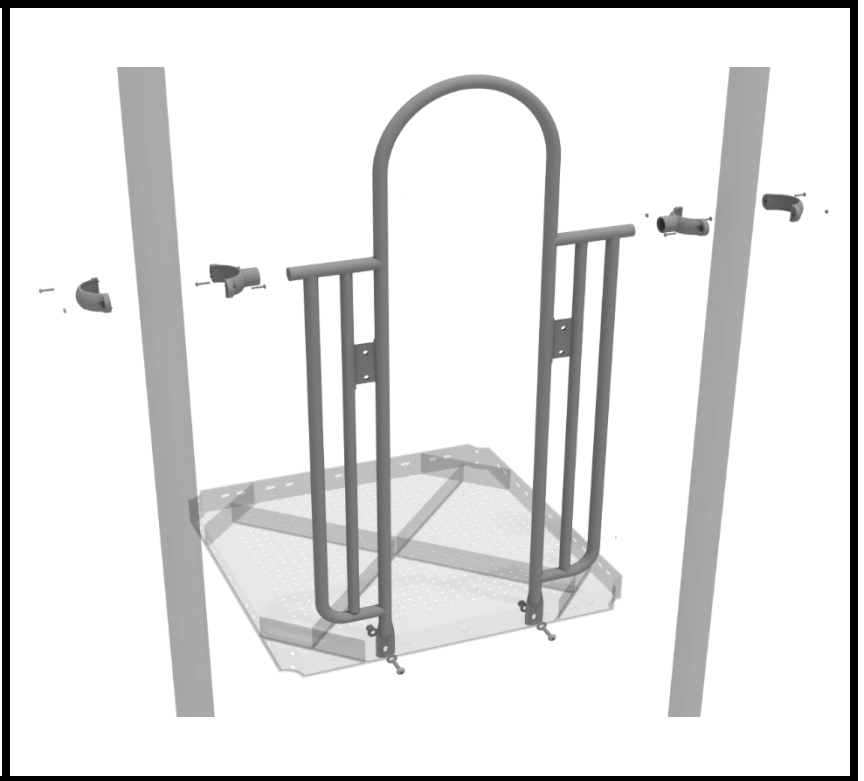
Attach two tube clamps to the Gear Panel using two (2) M4*25 self-tapping screws and attach those clamps to the proper support posts. Then, attach the bottom of the metal barrier to the deck using two (2) M10*50 bolts, four (4) M10 washers, and two (2) M10 lock nuts.



4.5-inch Pebble Climber with Rail Installation

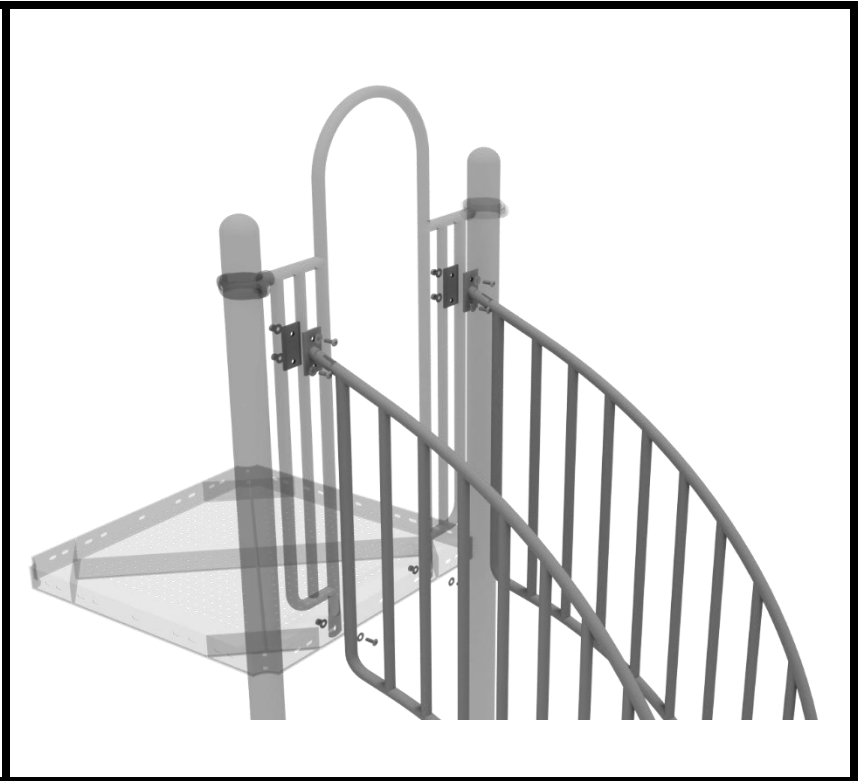
STEP: 1

Attach the Arch Rail to the designated posts by connect half of the tube clamp to the arch rail using one (1) M8*30 bolt. Repeat this process for each post attachment point. Then, attach the rail to the deck using two (2) M10*25 bolts, four (4) M10 washers, and two (2) M10 lock nuts. Finally, attach the second half of the clamp around the post.



STEP: 1

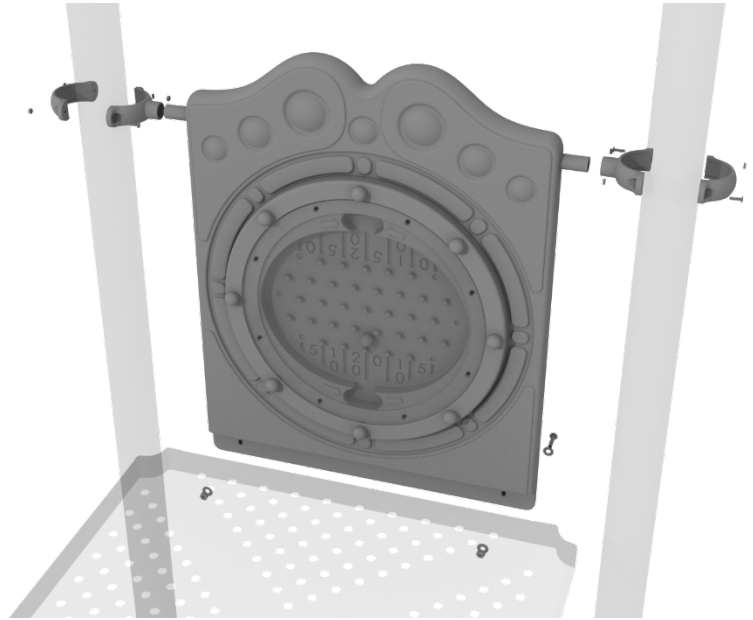
Attach the Pebble Climber Handrails to the mounting plates on the Arch Rail using four (4) M10*25 bolts, eight (8) M10 washers, and four (4) M10 lock nuts. The bottom end of the Pebble Climber Handrails will be put in an inground footing. See General Install Guide for more info about climber footings.



4.5-inch Plinko Panel Installation

STEP: 1

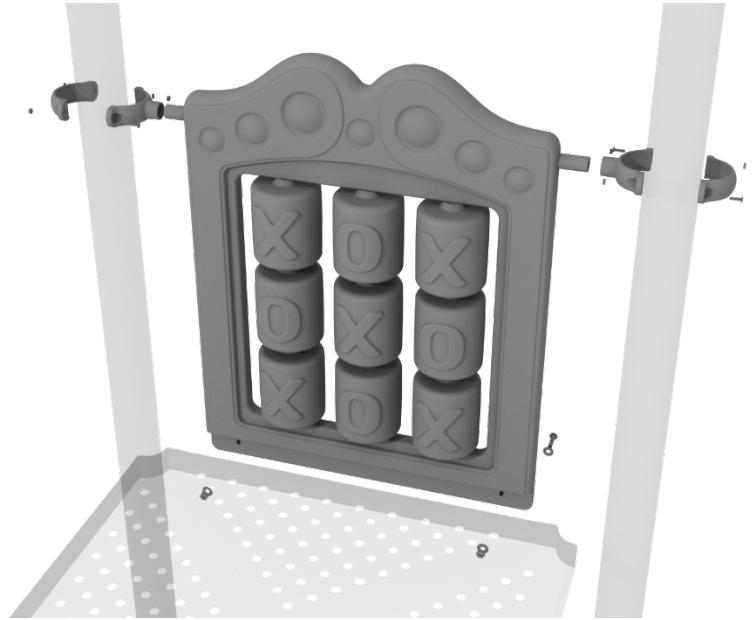
Attach two tube clamps to the Plinko Panel using two (2) M4*25 self-tapping screws and attach those clamps to the proper support posts. Then, attach the bottom of the metal barrier to the deck using two (2) M10*50 bolts, four (4) M10 washers, and two (2) M10 lock nuts.



4.5-inch Tic Tac Toe Panel Installation

STEP: 1

Attach two tube clamps to the Tic Tac Toe Panel using two (2) M4*25 self-tapping screws and attach those clamps to the proper support posts. Then, attach the bottom of the metal barrier to the deck using two (2) M10*50 bolts, four (4) M10 washers, and two (2) M10 lock nuts.



Square Roof Install

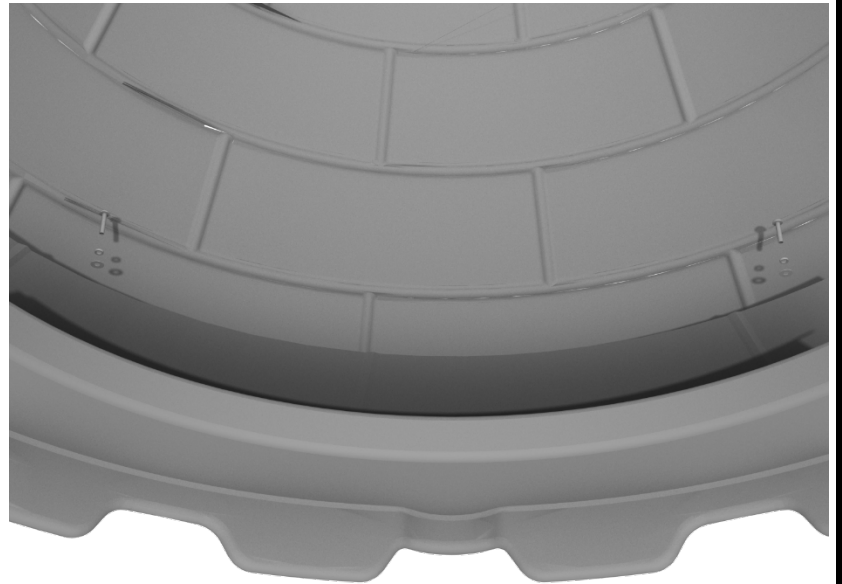
STEP: 1

Align and place the roof onto the outer ring.



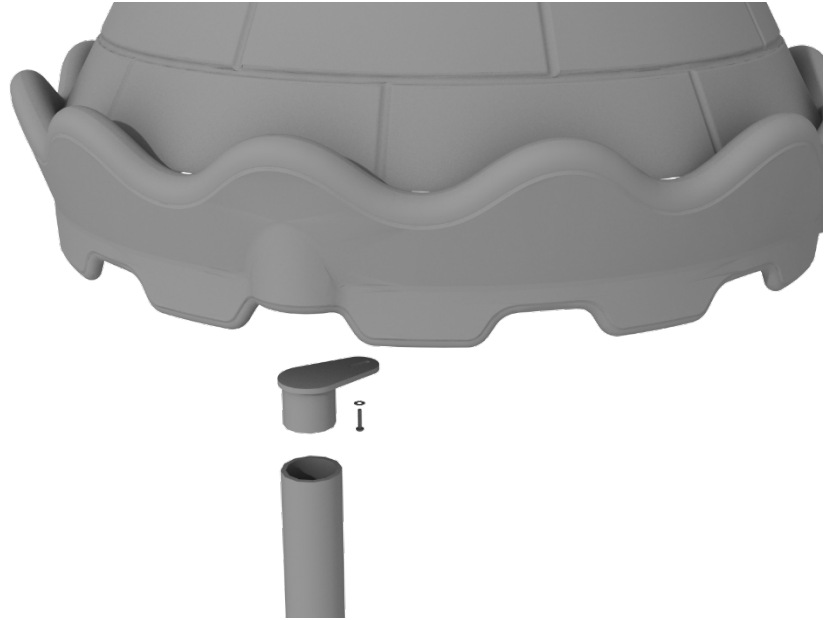
STEP: 2

Attach the upper section of the roof to the outer ring using four (4) M8*20 bolts, four (4) M8 washers, and four (4) M8 spring gaskets.



STEP: 3

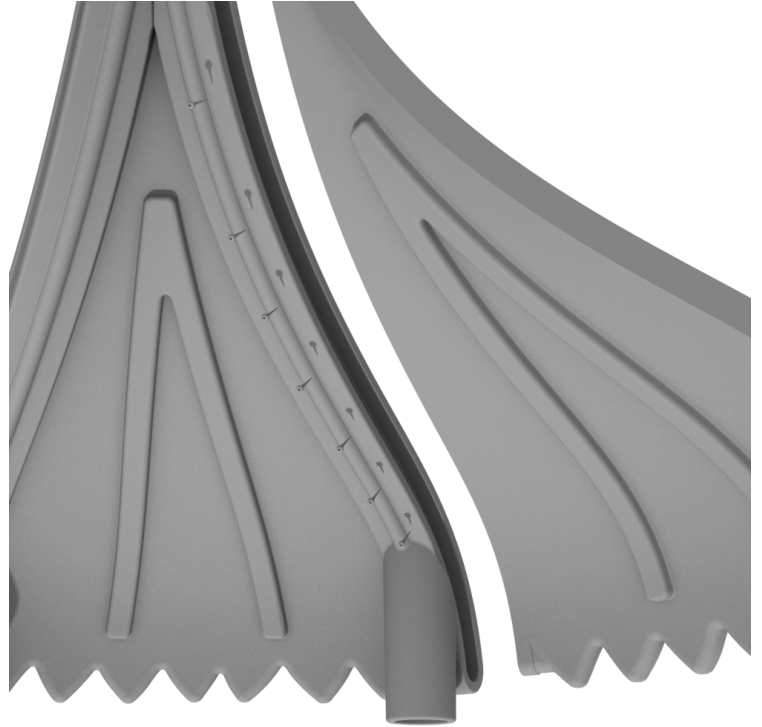
To attach a Castle roof, bolt the plastic post caps to the bottom of the roof using four (4) M8*20 bolts, and eight (8) M8 washers. Then place the roof on top of the posts and screw the caps onto the post using twelve (12) M3*16 self-tapping screws.



Hex Bulb Roof Install

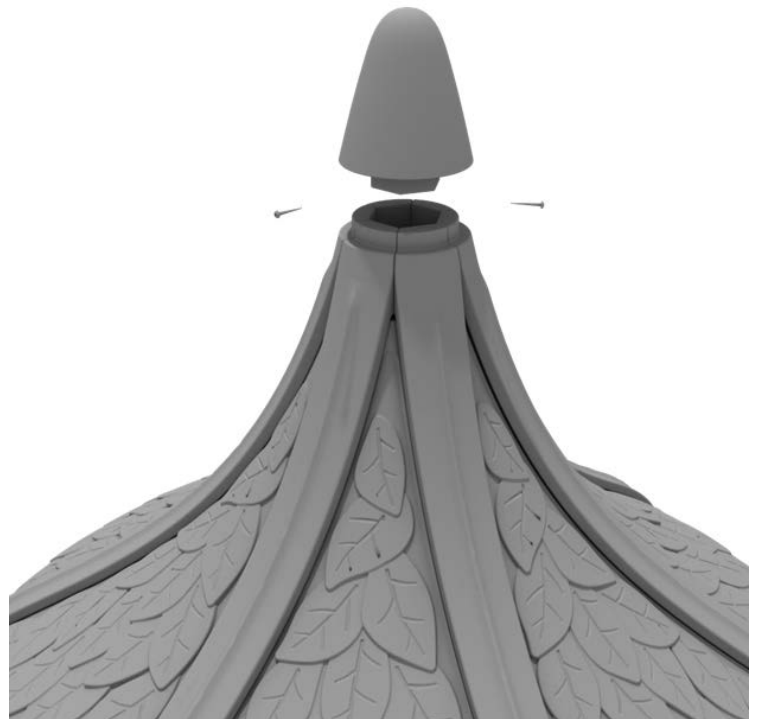
STEP: 1

Connect Hex bulb roof pieces together using seven (7) M4*75 screw for each leaf segment.



STEP: 2

Once bulb top is in place secure using three (3) M4*75 self tapping screws.



Hex Bulb Roof Install

STEP: 3

Place Bulb roof on designated posts.



STEP: 4

Secure Bulb roof in place using one (1) M4*50 self tapping screw, one (1) M4 washer and one plastic cover with cap for each post.

