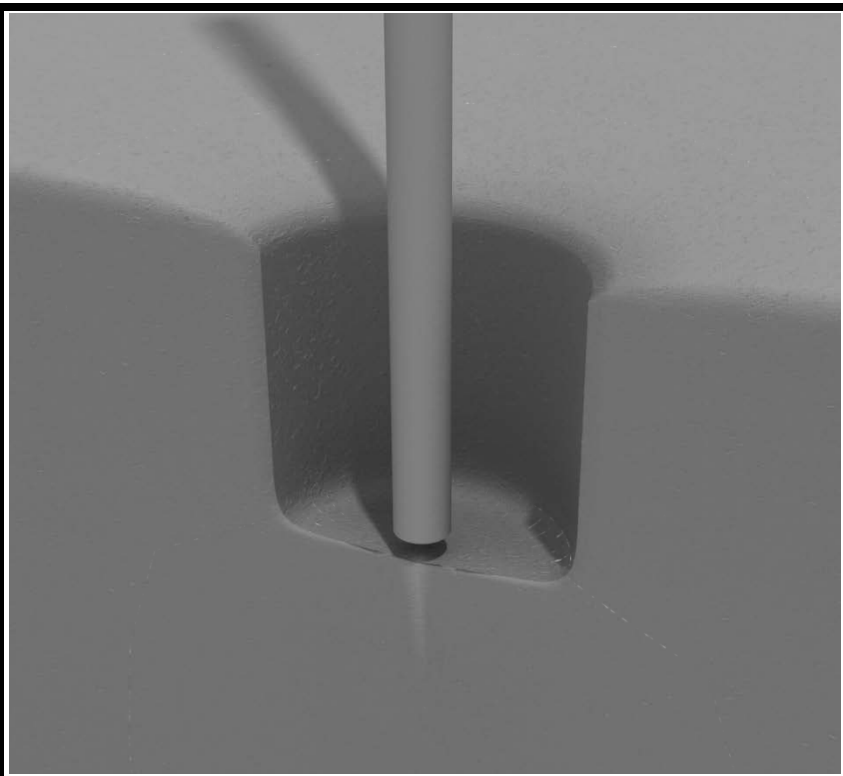


## STEP: 1

**DO NOT CEMENT POSTS INTO PLACE  
UNTIL THE ENTIRE STRUCTURE IS  
ASSEMBLED.**

Refer to the General Installation  
guide footing information and dig  
proper holes for the support posts.



# Triangle Deck Installation

## STEP: 1

After the posts are in place, using three (3) M10\*35 bolts, six (6) M10 washers, and three (3) M10 lock nuts, attach the triangle deck to each pre-attached deck clamp as shown in the image.

Deck clamps are pre-attached to the posts and should not be altered in any way.



# Square Deck Installation

## STEP: 1

After the posts are in place, using four (4) M10\*35 Bolts, eight (8) M10 Washers, and four (4) M10 Lock Nuts, attach each square deck to each pre-attached deck clamp as shown in the image.

Deck clamps are pre-attached to the posts and should not be altered in any way.



# Half Hex Deck Installation

## STEP: 1

After the posts are in place, using five (5) M10\*35 bolts, ten (10) M10 washers, and five (5) M10 lock nuts, attach the deck to each pre-attached deck clamp as shown in the image.

Deck clamps are pre-attached to the posts and should not be altered in any way.



# Half Hex Deck Connect to Half Hex Deck

## STEP: 1

When installing decks that are adjacent to one another at the same height, they should be bolted together. On the underside of the deck, install using four (4) M10\*25 Bolts, eight (8) M10 Washers, and four (4) M10 Lock Nuts. Repeat this process for every set of adjacent decks.

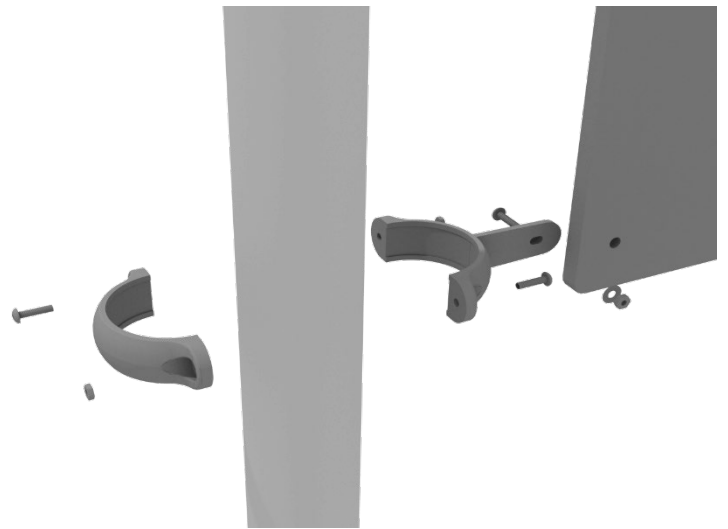
## 4.5-inch Clamp Installation Examples

The following two pages will include examples of how to install some of the most common types of Clamps that are present on our structures that use 4.5-inch outside diameter posts. The structure that you are assembling might not require all the types of clamps listed in these examples.

The Install Guides for specific components that come later in this document might call for a specific type of clamp (a tube clamp for example), those sections will not include detailed instructions for the clamps and should direct you back to this section for more detailed information.

### 4.5-inch Flat Clamp Installation Example

Connect half of the flat clamp to the component using one (1) M8\*30 bolt and Lock Nut. Then, using the other half of the flat clamp and the hardware provided in the clamp hardware bag, attach the backside of the flat clamp around the post.



## 4.5-inch Clamp Installation Examples

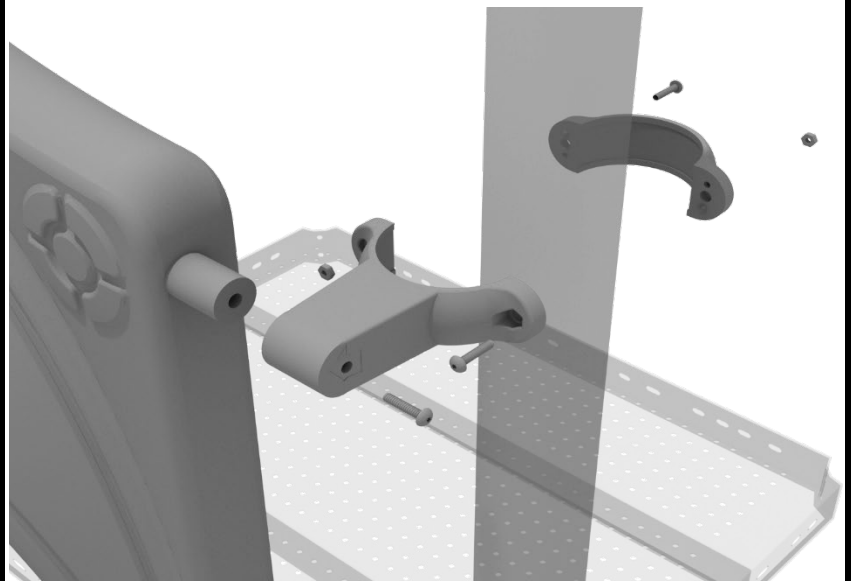
### 4.5-inch Tube Clamp Installation Example

Insert Bar on Component into one half of the Tube Clamp and attach with M4\*25 Set Screw. Then, using the other half of the tube clamp and the hardware provided in the clamp hardware bag, attach the backside of the tube clamp around the post.



### 4.5-inch Double Slide Clamp Installation Example

Connect half of the double slide clamp to the double slide hood using one (1) M8\*30 bolt. Then, using the other half of the clamp and the hardware provided in the clamp hardware bag, attach the backside of the double slide clamp around the post.



# ADA Ramp Install Guide

## STEP: 1

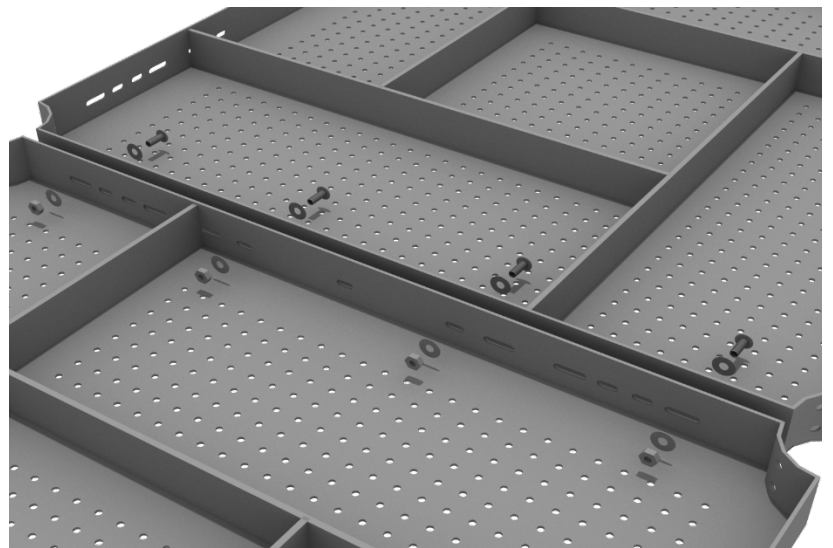
Some of the ADA Ramp sections will attach to the posts using deck clamps. Each deck clamp will attach to the ramp using one (1) M10\*35 bolt, two (2) M10 washers, and one (1) M10 lock nut.

Deck clamps are pre-attached to the posts and should not be altered in any way.



## STEP: 2

The ADA Ramps connect to each other and to flat decks. On the underside of the deck, install using four (4) M10\*25 Bolts, eight (8) M10 Washers, and four (4) M10 Lock Nuts. Repeat this process for every connection point.





### STEP: 3

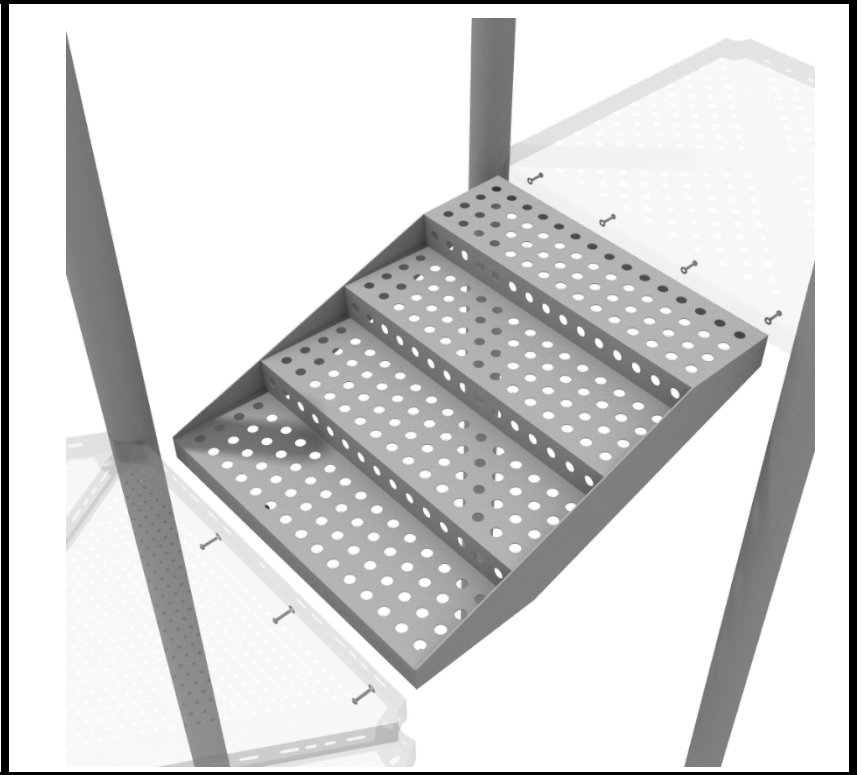
The ADA Ramp Handrails attach using tube clamps. See the Clamp Install Guide for detailed instructions on tube clamps.



# 4.5-inch Middle Stair Install

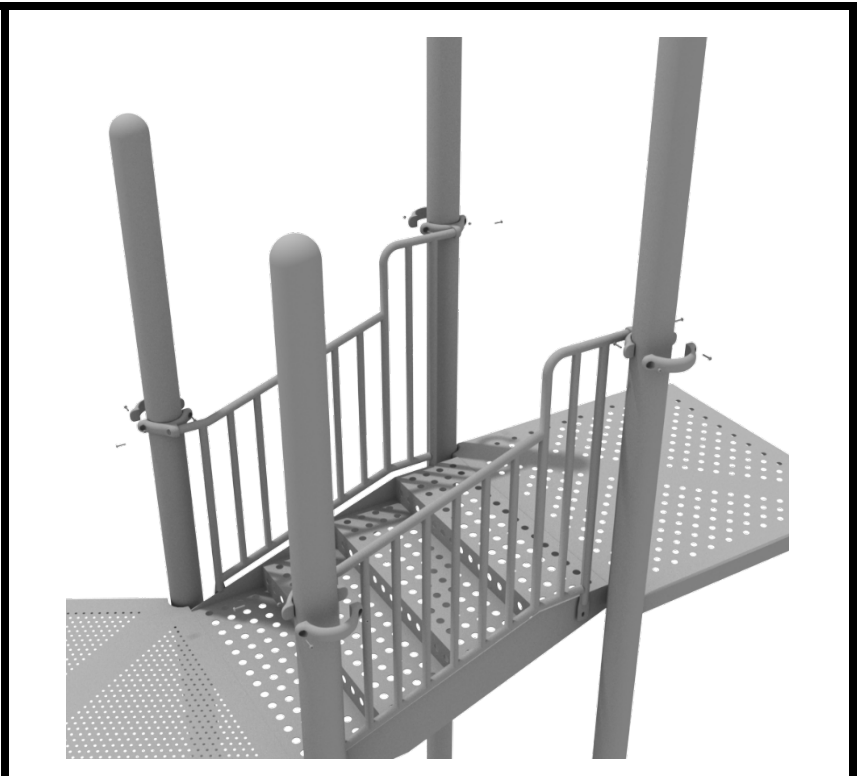
## STEP: 1

Using eight (8) M10\*25 bolts, sixteen (16) M10 washers, and eight (8) M10 lock nuts, connect the middle stair from one deck to the next.



## STEP: 2

Connect half of each 4.5-inch offset clamp to the middle handrail using one (1) M8\*37 bolt. Set the handrail into place, then attach the second half of the clamp using the hardware provided in the clamp bag. Repeat this process for the other handrail. Then, using two (2) M10\*25 bolts, four (4) M10 washers, and two (2) M10 lock nuts, attach the bottom of the handrail to the side of the stair.



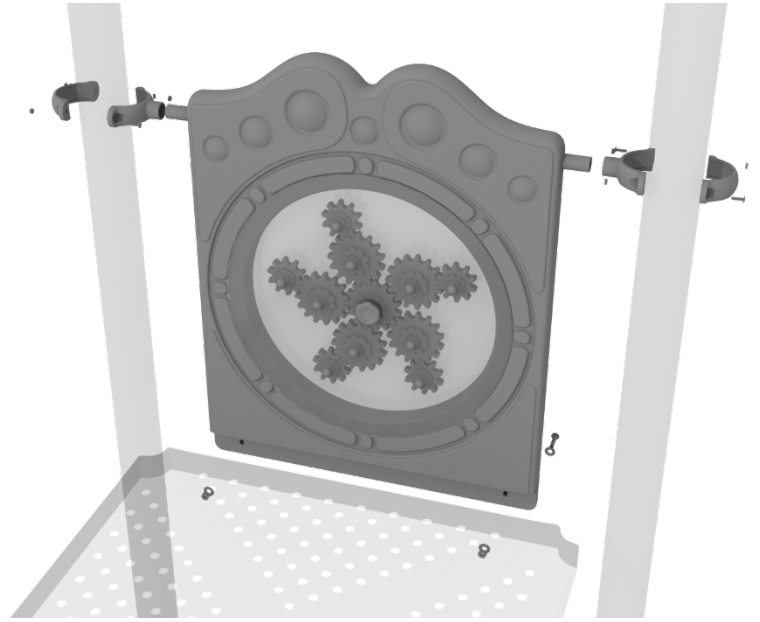
1 Playground Drive  
Greenfield, IN 46140  
1-800-667-0097

Created By: Aaron Price  
Date Modified: 05/10/18

# 4.5-inch Gear Panel Installation

## STEP: 1

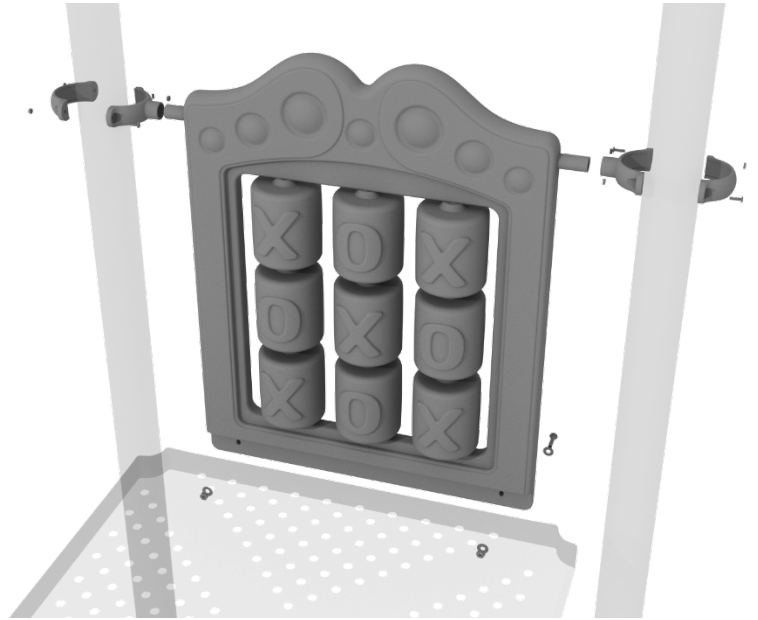
Attach two tube clamps to the Gear Panel using two (2) M4\*25 self-tapping screws and attach those clamps to the proper support posts. Then, attach the bottom of the metal barrier to the deck using two (2) M10\*50 bolts, four (4) M10 washers, and two (2) M10 lock nuts.



# 4.5-inch Tic Tac Toe Panel Installation

## STEP: 1

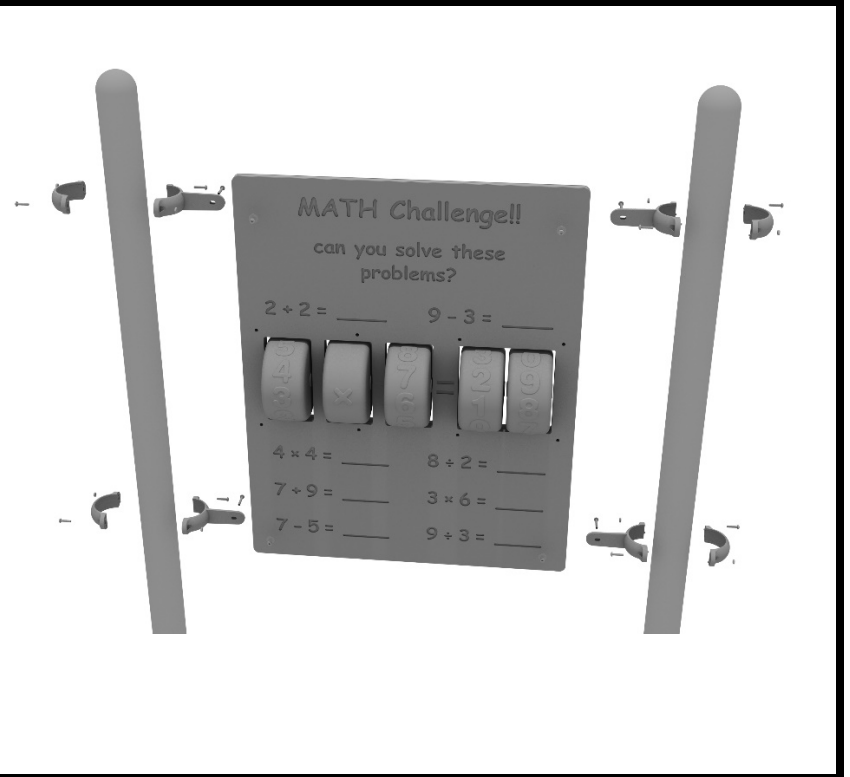
Attach two tube clamps to the Tic Tac Toe Panel using two (2) M4\*25 self-tapping screws and attach those clamps to the proper support posts. Then, attach the bottom of the metal barrier to the deck using two (2) M10\*50 bolts, four (4) M10 washers, and two (2) M10 lock nuts.



# 4.5-inch Math Panel Installation

## STEP: 1

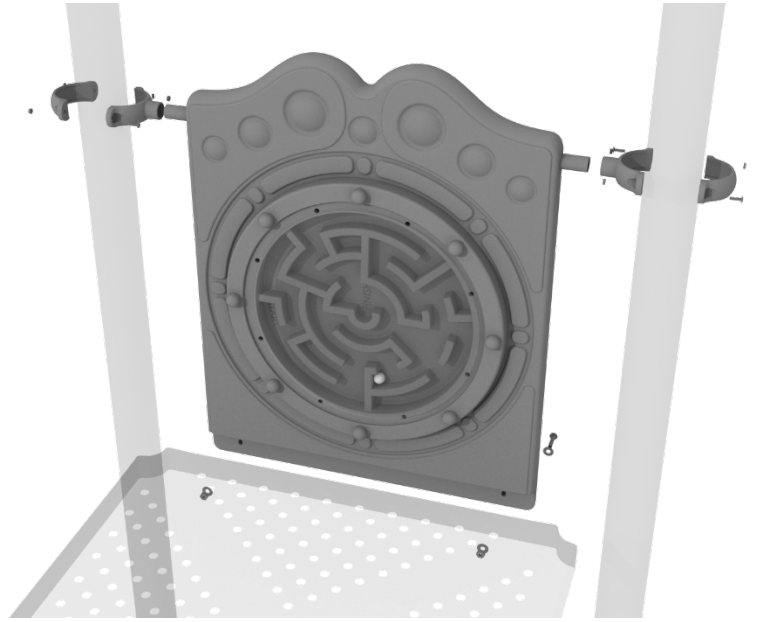
Using on-site tools, level and drill holes on the Math Challenge Panel. Attach to the designated post using four (4) 4.5-inch flat clamps.



# 4.5-inch Ball Maze Panel Installation

## STEP: 1

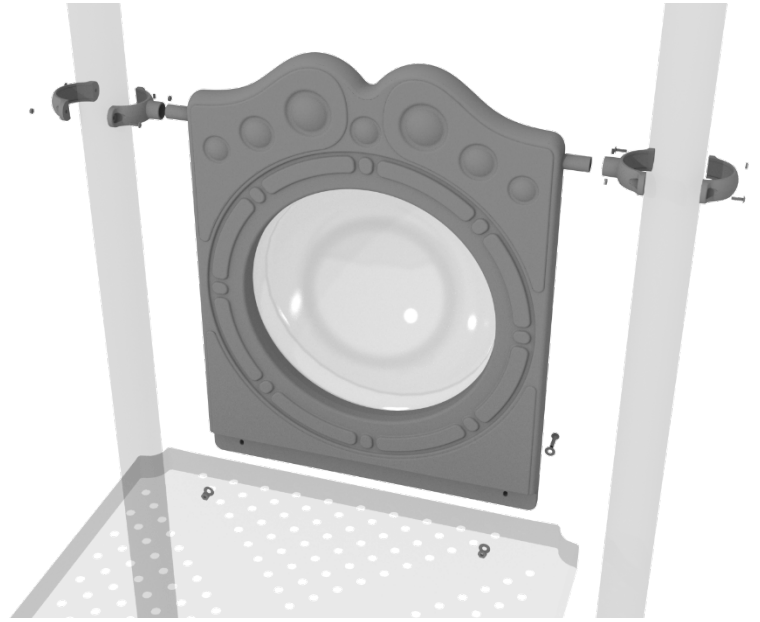
Attach two tube clamps to the Ball Maze Panel using two (2) M4\*25 self-tapping screws and attach those clamps to the proper support posts. Then, attach the bottom of the metal barrier to the deck using two (2) M10\*50 bolts, four (4) M10 washers, and two (2) M10 lock nuts.



# 4.5-inch Bubble Panel Installation

## STEP: 1

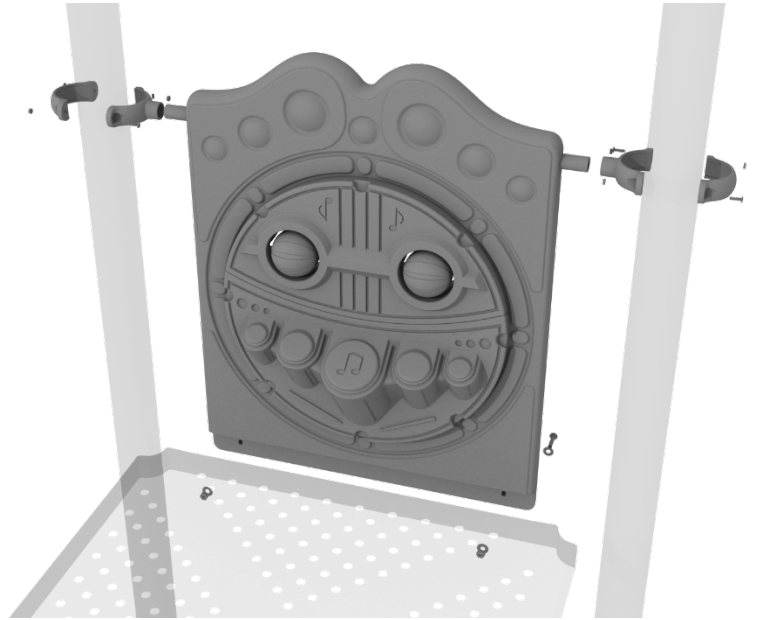
Attach two tube clamps to the Bubble Panel using two (2) M4\*25 self-tapping screws and attach those clamps to the proper support posts. Then, attach the bottom of the metal barrier to the deck using two (2) M10\*50 bolts, four (4) M10 washers, and two (2) M10 lock nuts.



# 4.5-inch Percussion Panel Installation

## STEP: 1

Attach two tube clamps to the Percussion Panel using two (2) M4\*25 self-tapping screws and attach those clamps to the proper support posts. Then, attach the bottom of the metal barrier to the deck using two (2) M10\*50 bolts, four (4) M10 washers, and two (2) M10 lock nuts.

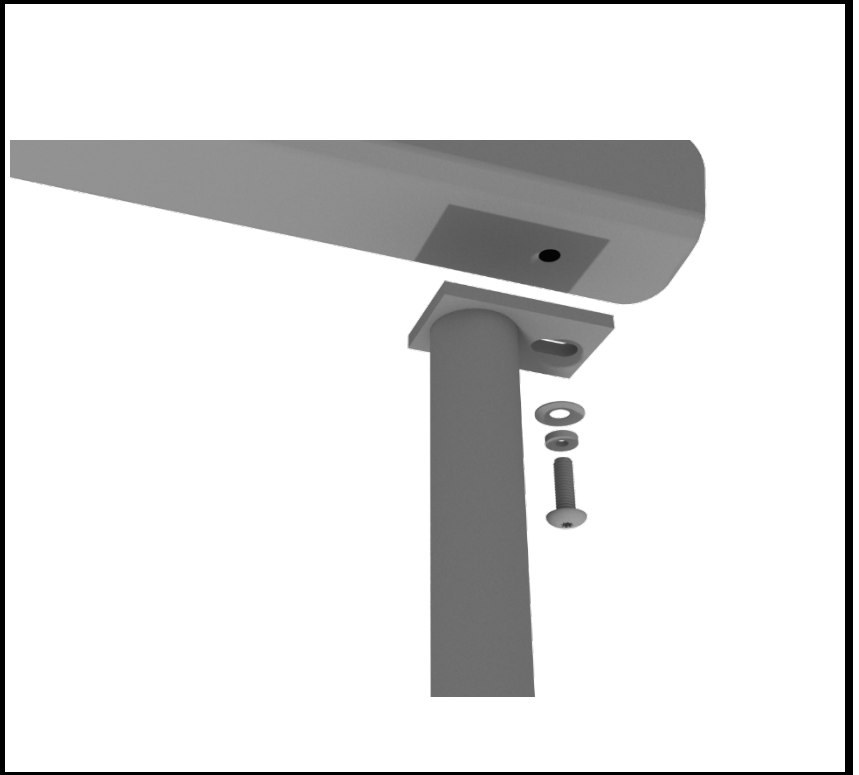




# Carrot Climber Installation

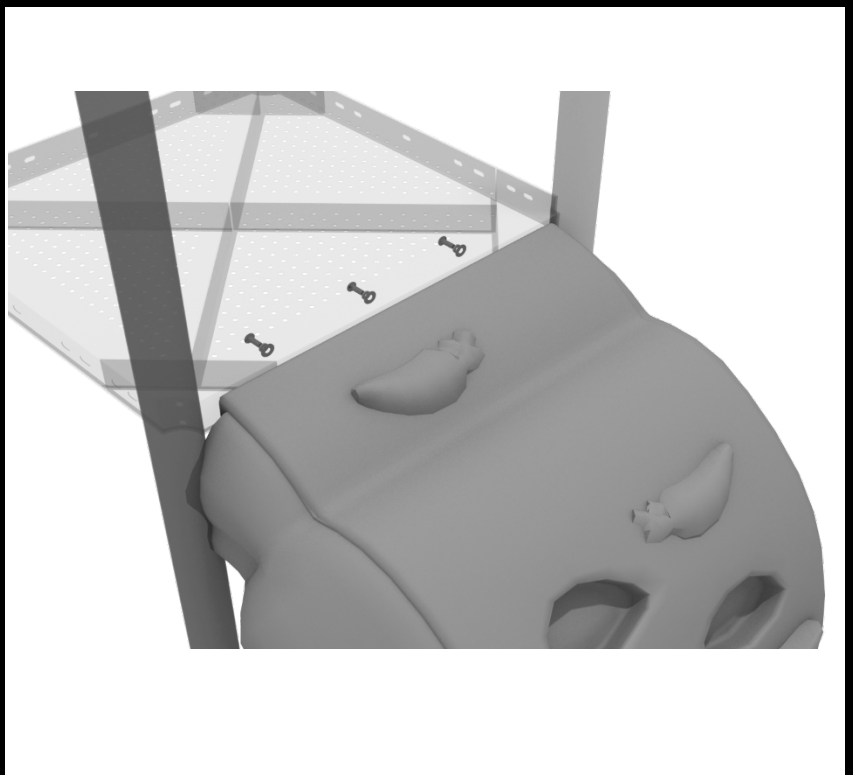
## STEP: 1

See general installation guide regarding footing information for the carrot climber. Using two (2) M10\*20 bolts, two (2) M10 spring gaskets, and two (2) M10 washers, attach the bottom of the carrot climber to the climber end mounts.



## STEP: 2

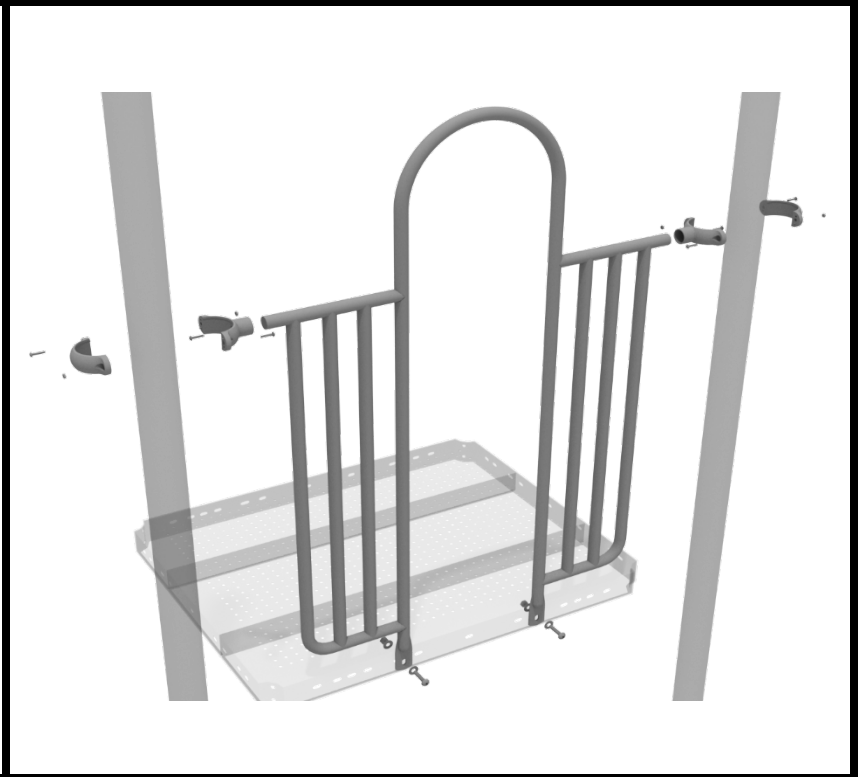
Using three (3) M10\*20 bolts, three (3) M10 spring gaskets, and three (3) M10 washers, attach the carrot climber to the square deck.



# 4.5-inch 2-Clamp Arch Rail Installation

## STEP: 1

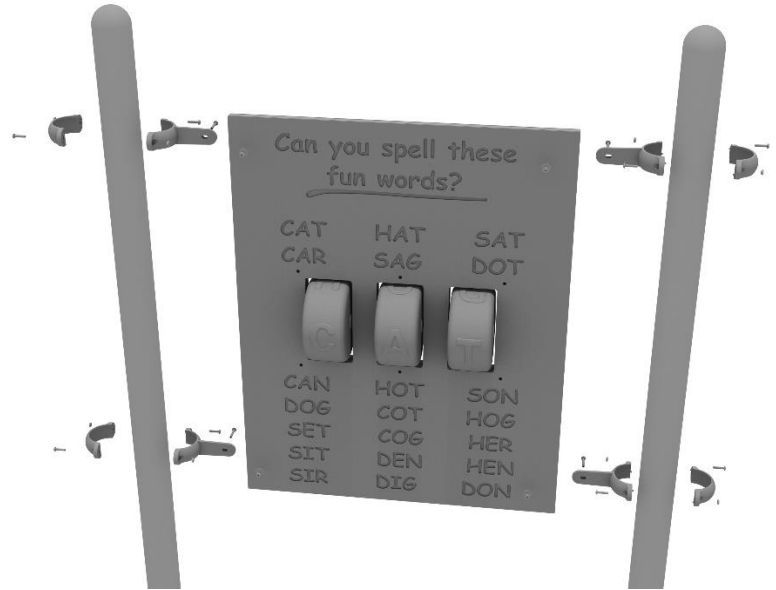
Attach each two-clamp arch rail to the designated deck by using two (2) tube clamps, and two (2) M4\*25 self-tapping screws to attach the top of the panel to the posts. Then use two (2) M10\*25 bolts, four (4) M10 washers, and two (2) M10 lock nuts to attach the panel to the deck.



# 4.5-inch Spelling Panel Installation

## STEP: 1

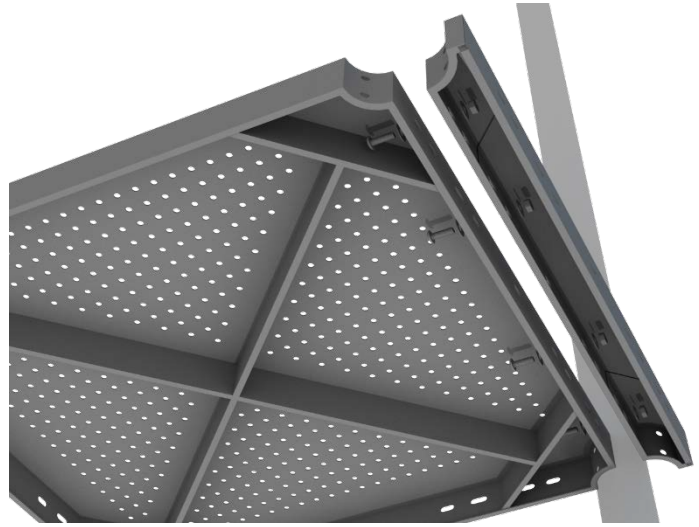
Using on-site tools, level and drill holes on Spelling Panel. Connect to the designated post using four (4) 4.5-inch flat clamps.



# 5-foot Double Wave Slide Installation

## STEP: 1

For the double slide, you will first need to attach the double slide deck extension. This will require four (4) M10\*25 bolts, eight (8) M10 washers, and four (4) M10 lock nuts.



## STEP: 2

Then, See general installation guide regarding footing information for the double slide end mounts. Using two (2) M8\*20 bolts, two (2) M8 spring gaskets, and two (2) M8 washers, attach the slide end mounts to the double slide.



# 5-foot Double Wave Slide Installation

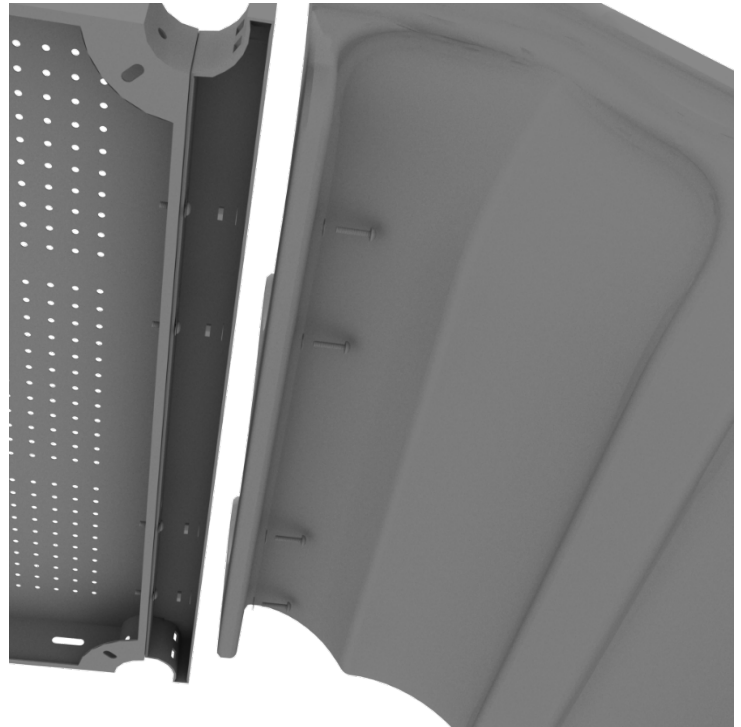
## STEP: 3

Then, See general installation guide regarding footing information for the double slide middle support. Attach the middle support to the slide using two (2) M8\*20 bolts, two (2) M8 spring washers, and two M8 washers.



## STEP: 4

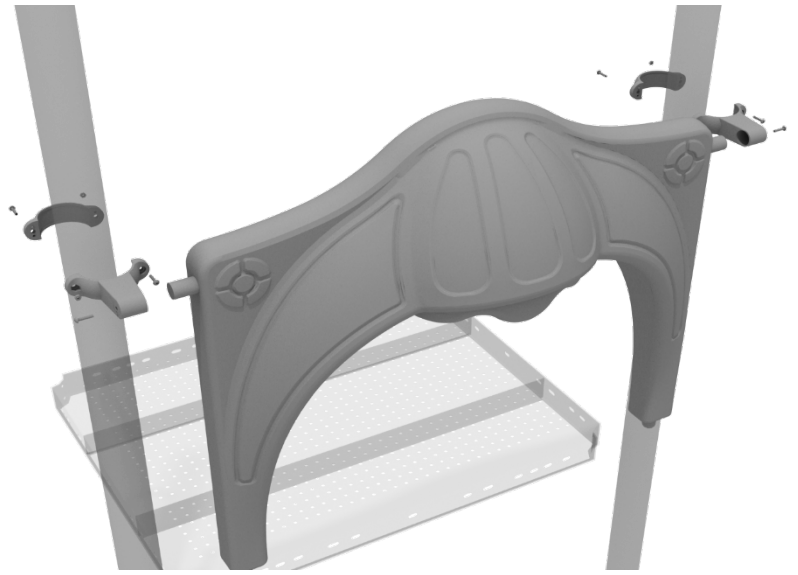
Then, attach the slide to the deck extension using four (4) M10\*45 bolts, eight (8) M10 washers, and four (4) M10 lock nuts.



# 5-foot Double Wave Slide Installation

## STEP: 5

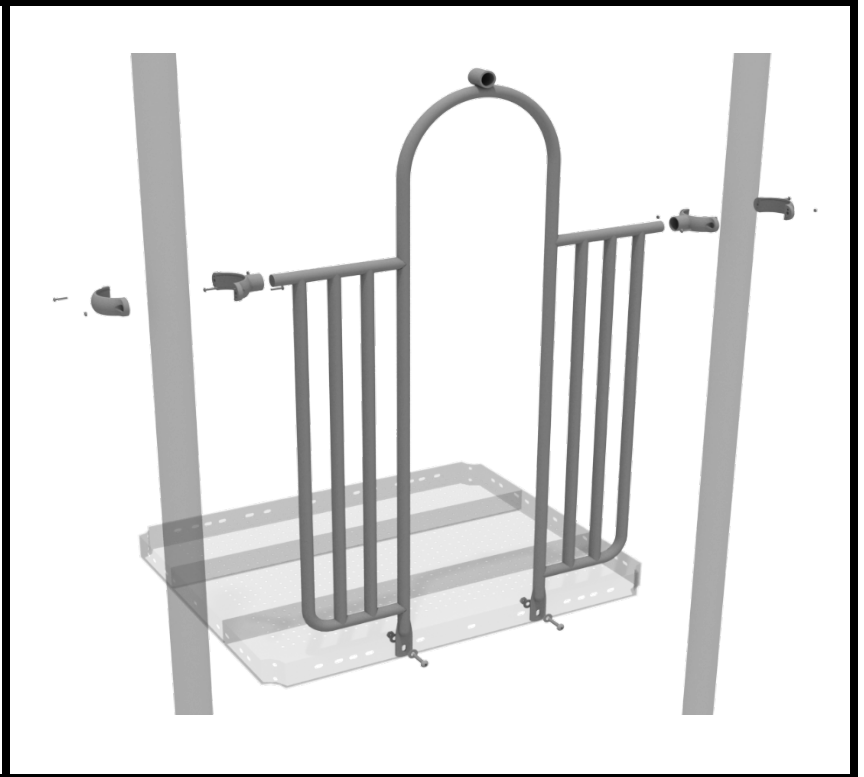
Once the slide is attached, take the double slide hood and insert it into the top of the slide, and then attach the top using two (2) double slide clamps, and two (2) M8\*30 bolts.



# 4.5-inch 2-Clamp Arch Rail Installation

## STEP: 1

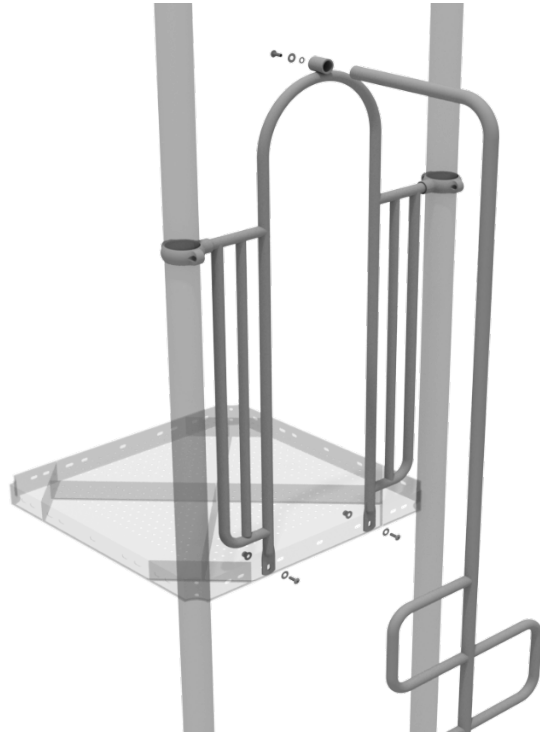
Attach the Arch Rail to the designated posts by connect half of the tube clamp to the arch rail using one (1) M4\*25 self tapping screw. Repeat this process for each post attachment point. Then, attach the rail to the deck using two (2) M10\*25 bolts, four (4) M10 washers, and two (2) M10 lock nuts. Finally, attach the second half of the clamp around the post.



# Pixel Climber Vertical Ladder Installation

## STEP: 1

See general installation guide regarding footing information for the climbers. Attach the top of the climber to the designated arch rail top bracket using one (1) M10\*30 bolt, one (1) M10 spring washer, and one (1) M10 washer.

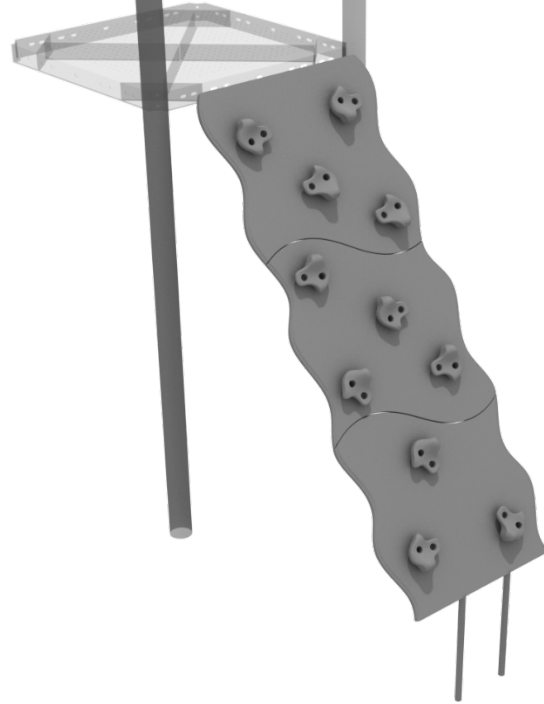




# PE Wavy Rock Climber Installation

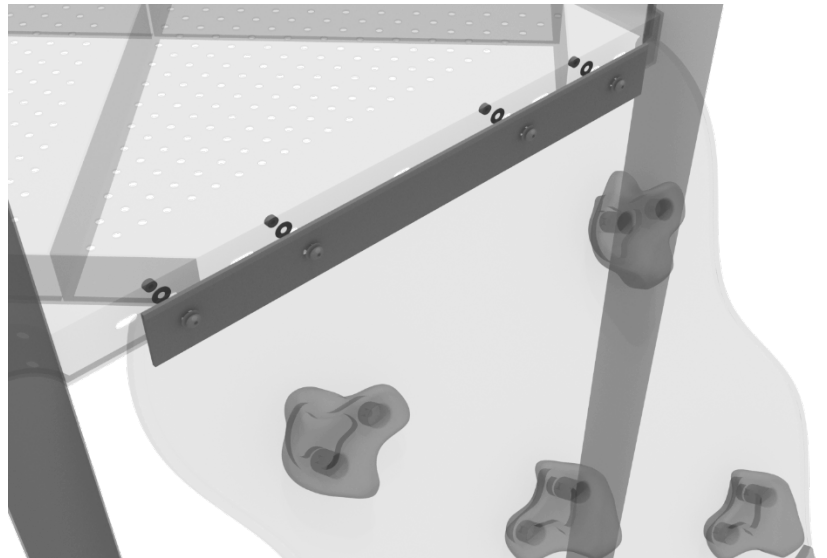
## STEP: 1

See general installation guide regarding footing information for the wavy PE rock climber.



## STEP: 2

Then, using four (4) M10\*55 bolts, eight (8) M10 washers, and four (4) M10 lock nuts, attach the climber to the deck.

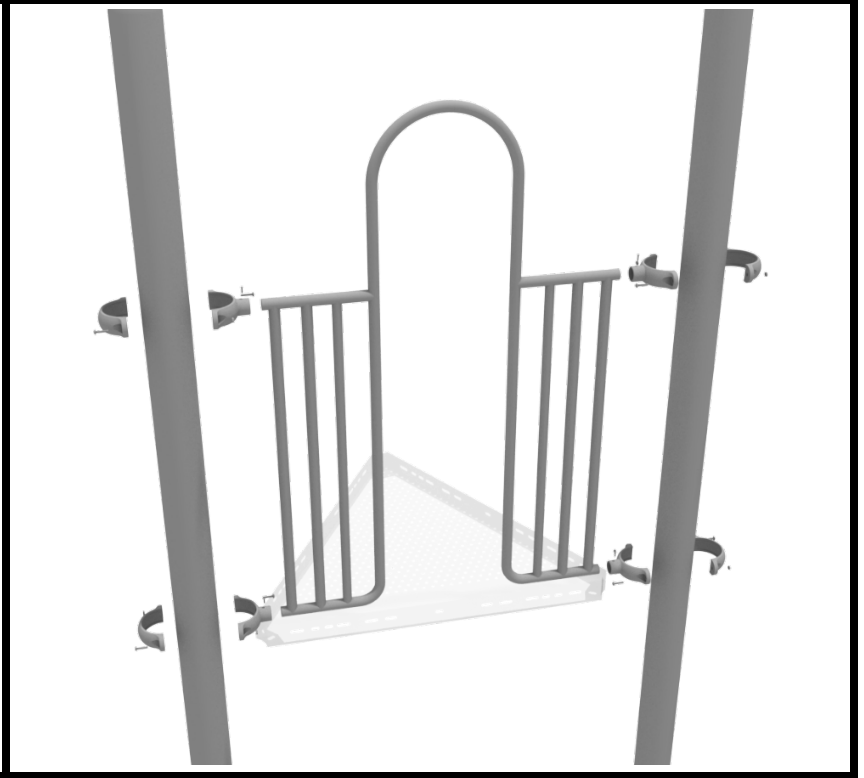


# 4.5-inch 4-Clamp Arch Rail Installation

## STEP: 1

Attach the Arch Rail to the designated posts by connect half of the tube clamp to the arch rail using one (1) M4\*25 self tapping screw

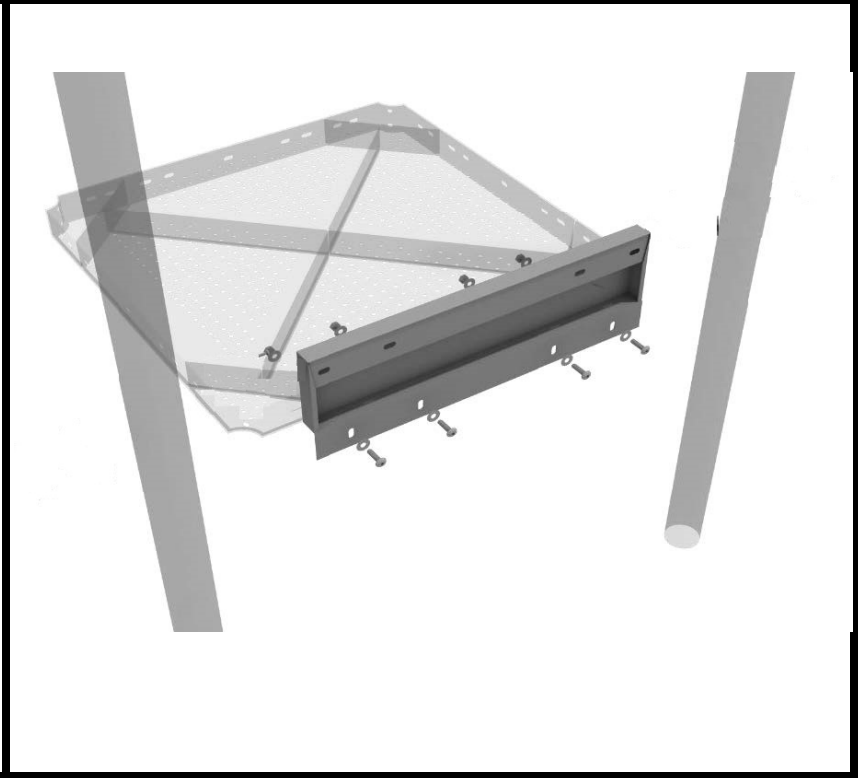
Repeat this process for each attachment point. Set the arch rail into place, then attach the second half of the clamp around the post. The gap between the deck and the bottom of the rail should be no more than 3 inches.



# Spiral Slide Kickplate Installation

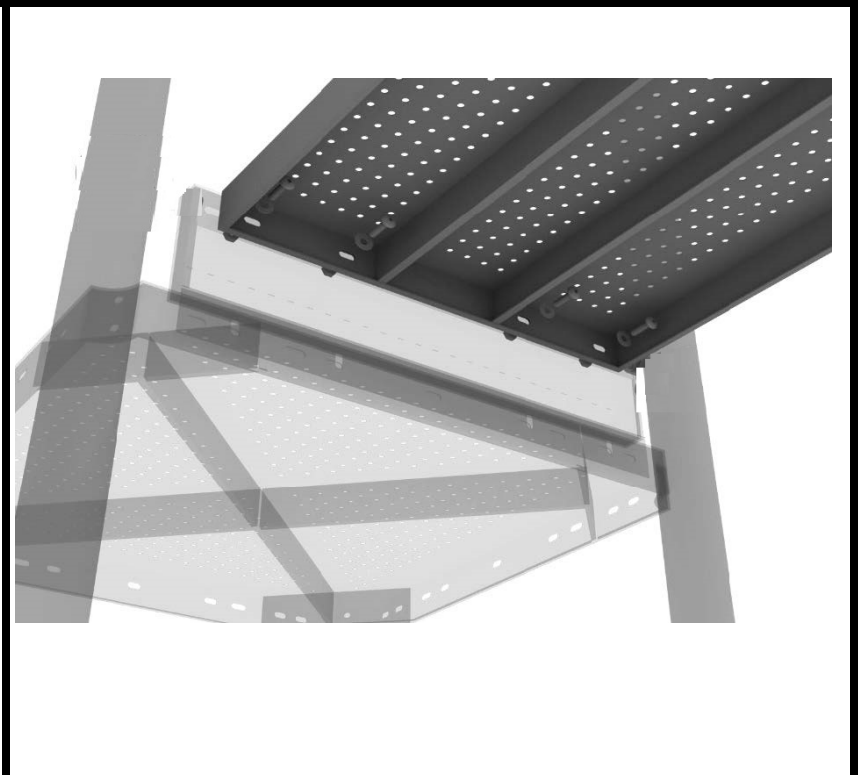
## STEP: 1

Attach the spiral slide kick plate to the proper square deck using four (4) M10\*25 bolts, eight (8) M10 washers, four (4) M10 lock nuts.



## STEP: 2

Attach the spiral slide deck to the top of the spiral slide kick plate using four (4) M10\*25 bolts, eight (8) M10 washers, and four (4) M10 lock nuts.



# Spiral Slide Installation

## STEP: 1

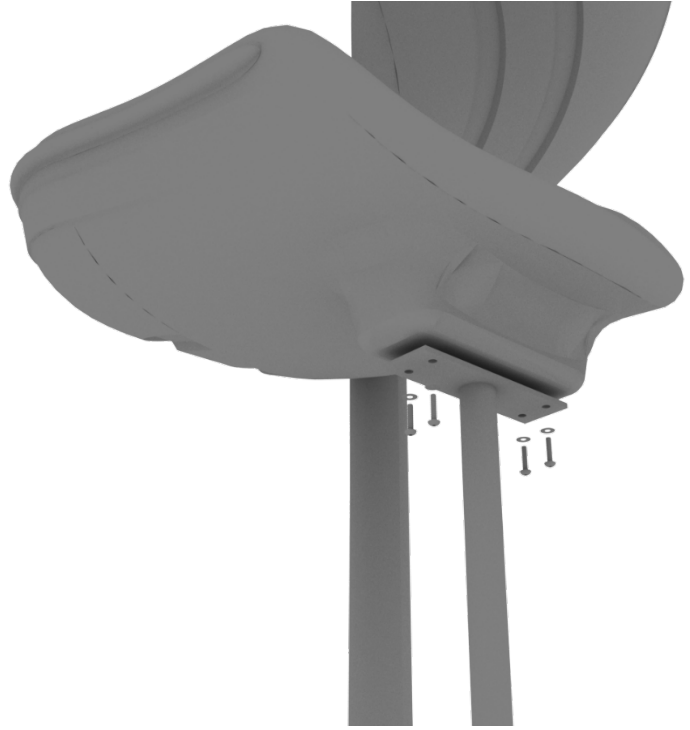
Attach the Spiral Slide Deck Support Post to the Spiral Slide Deck using two (2) M10\*25 Bolts, four (4) M10 Washers, and two (2) M10 Lock Nuts.



# Spiral Slide Installation

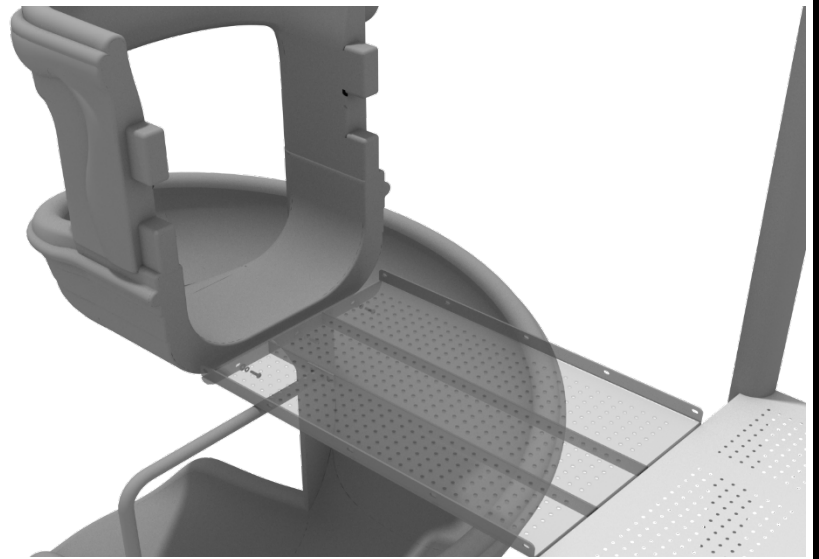
## STEP: 3

Connect the Spiral Slide Mount to the bottom of the Spiral Slide using four (4) M10\*20 Bolts, four (4) M10 Spring Gaskets, and four (4) M10 Washers. Refer to the General Installation Guide for information on slide footings.



## STEP: 4

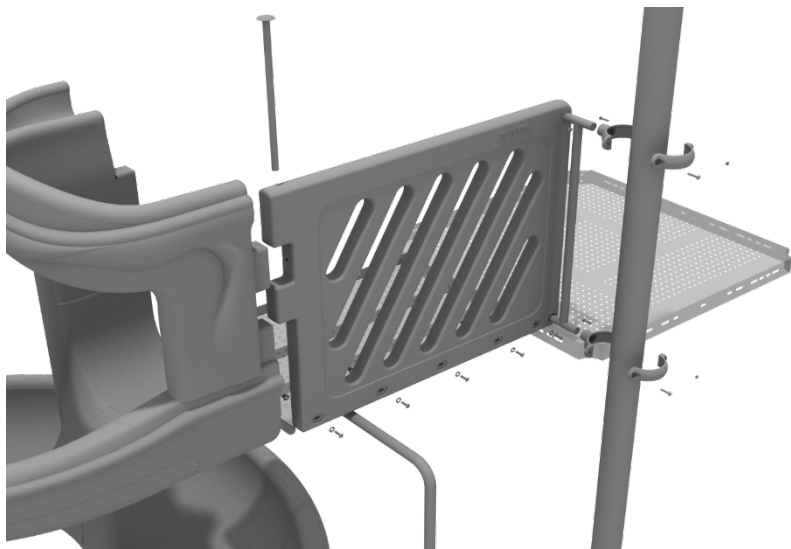
See general installation guide regarding footing information for slides and support posts. Connect the Spiral Slide to the Spiral Slide Deck using three (3) M10\*20 Bolts, three (3) M10 Spring Gaskets, and three (3) M10 Washers.



# 6-foot Single Wave Slide Installation

## STEP: 5

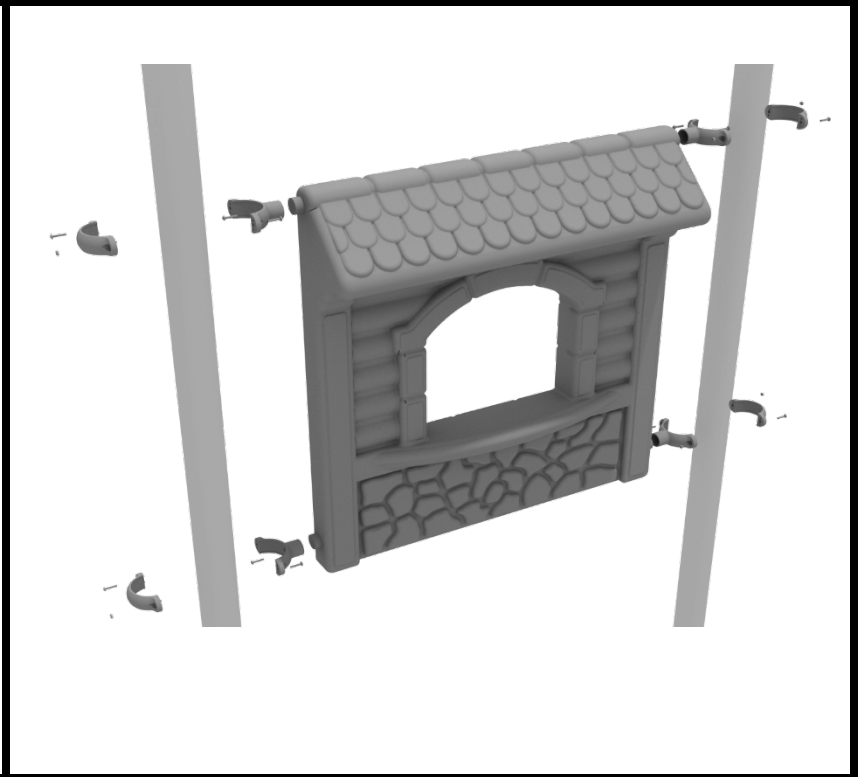
Attach the Spiral Slide Handrail to the Spiral Slide Deck using five (5) M8\*60 Bolts, five (5) M8 Washers, five (5) M12 Washers, and five (5) M12 Inner Hex Nuts. Insert the Metal Pole to stabilize the connection of the handrail to the slide, then connect the handrails to the posts using two (2) tube clamps. Repeat this process for the other handrail.



# 4.5-inch Store Panel Installation

## STEP: 1

Connect the store panel to the designated post using four (4) 4.5-inch tube clamps.



# Freestanding Pod Climber Install

See general installation guide regarding footing information. Freestanding pod climber requires a 12" x 18" footing.

Age 2-5: Set no more than 12" apart.

Age 5-12: Set no more than 18" apart.

