

Double Sit Up Bench Installation

STEP: 1

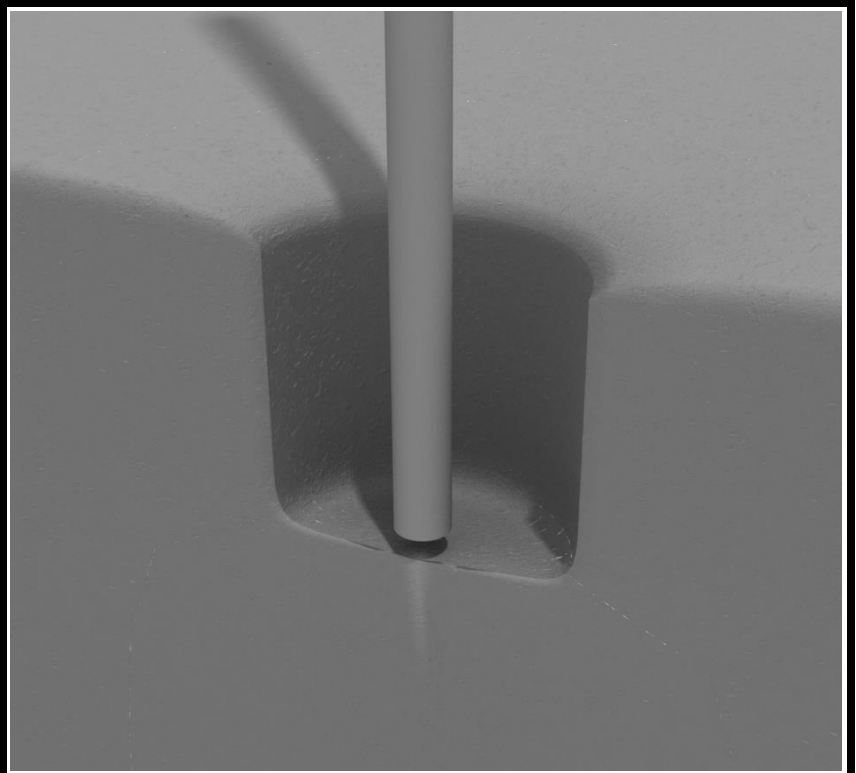
Use equipment onsite to measure placement for footings.



STEP: 2

DO NOT CEMENT POSTS INTO PLACE UNTIL THE ENTIRE STRUCTURE IS ASSEMBLED.

Refer to the General Installation guide footing information and dig proper holes for the support posts.

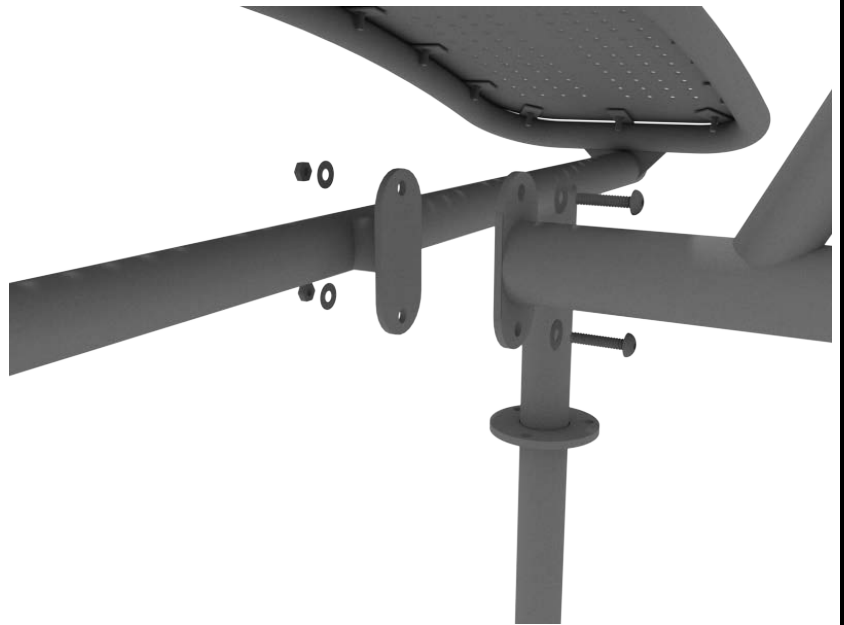


Double Sit Up Bench Installation

STEP: 3

Mount the Double Sit Up Bench assembly and bolt to each connection point using the supplied hardware.

Repeat these steps for the opposite side.



STEP: 4

Connect plastic mount cover over the mounting plate and bolt the two pieces together using the supplied hardware.

