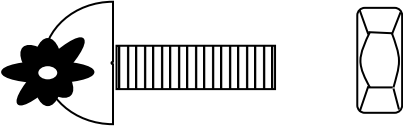
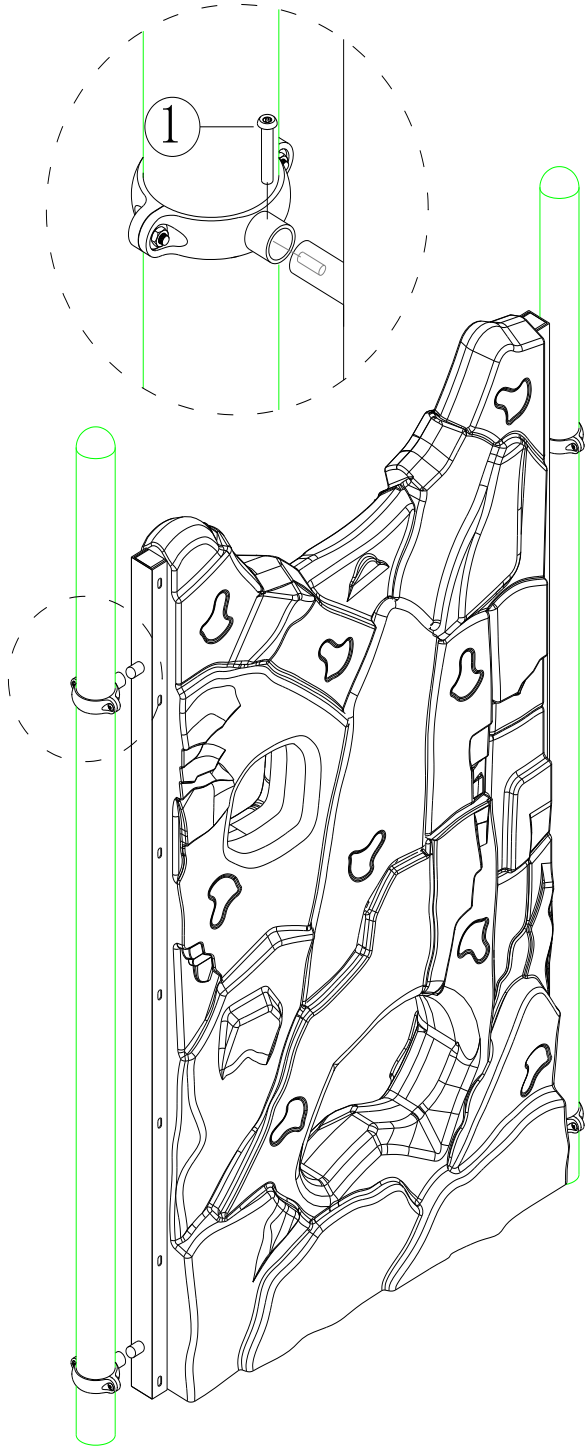
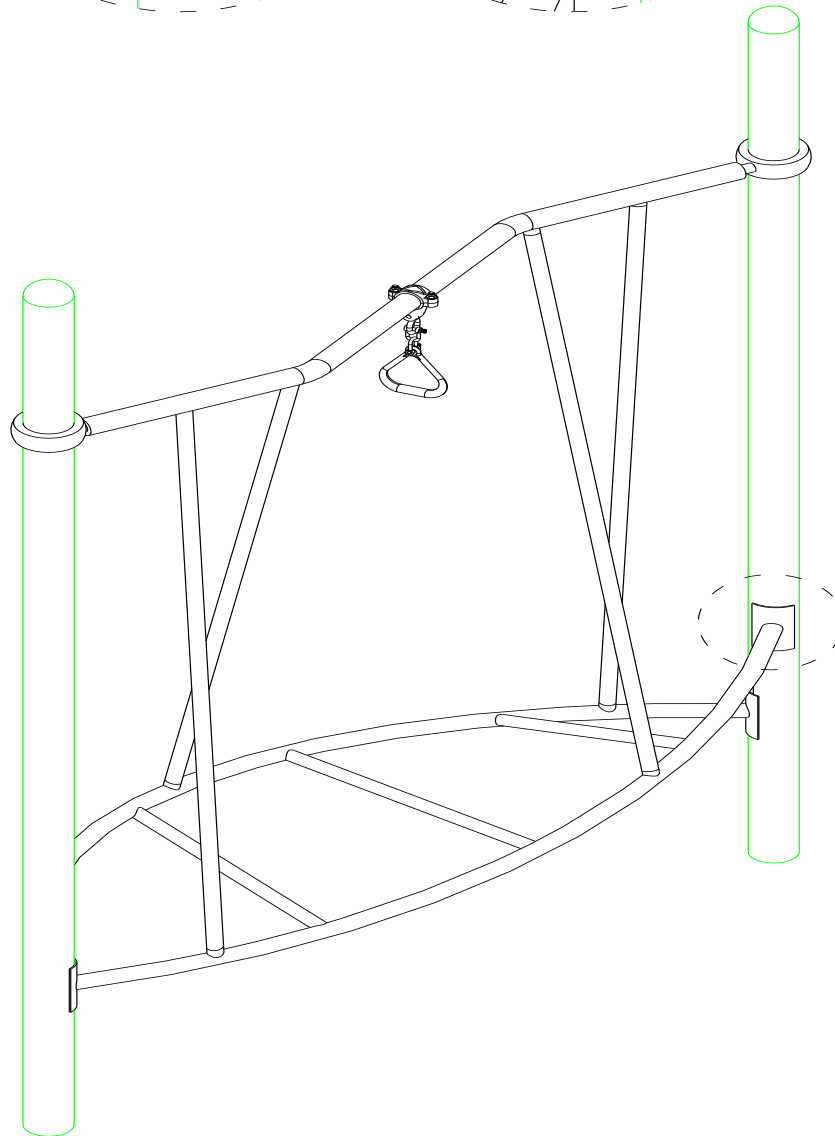
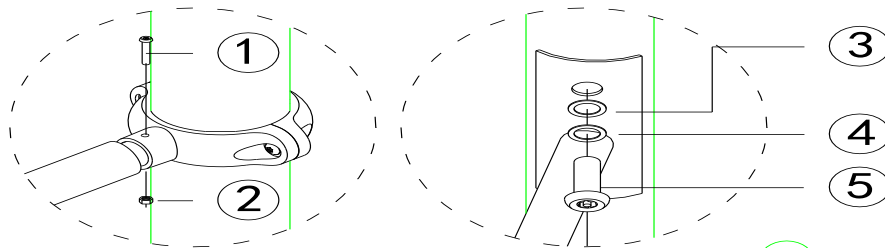


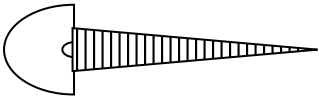
	ITEM	ITEM NAME	SPECIFICATION	QUANTITY	PICTURE
CLIMBER		CLIMBER		1	
	1	BOLT	M8x55	2	
	2	LOCK NUT	M8	2	
	3				
REMARK	CLIMBER CONNECT WITH POST				

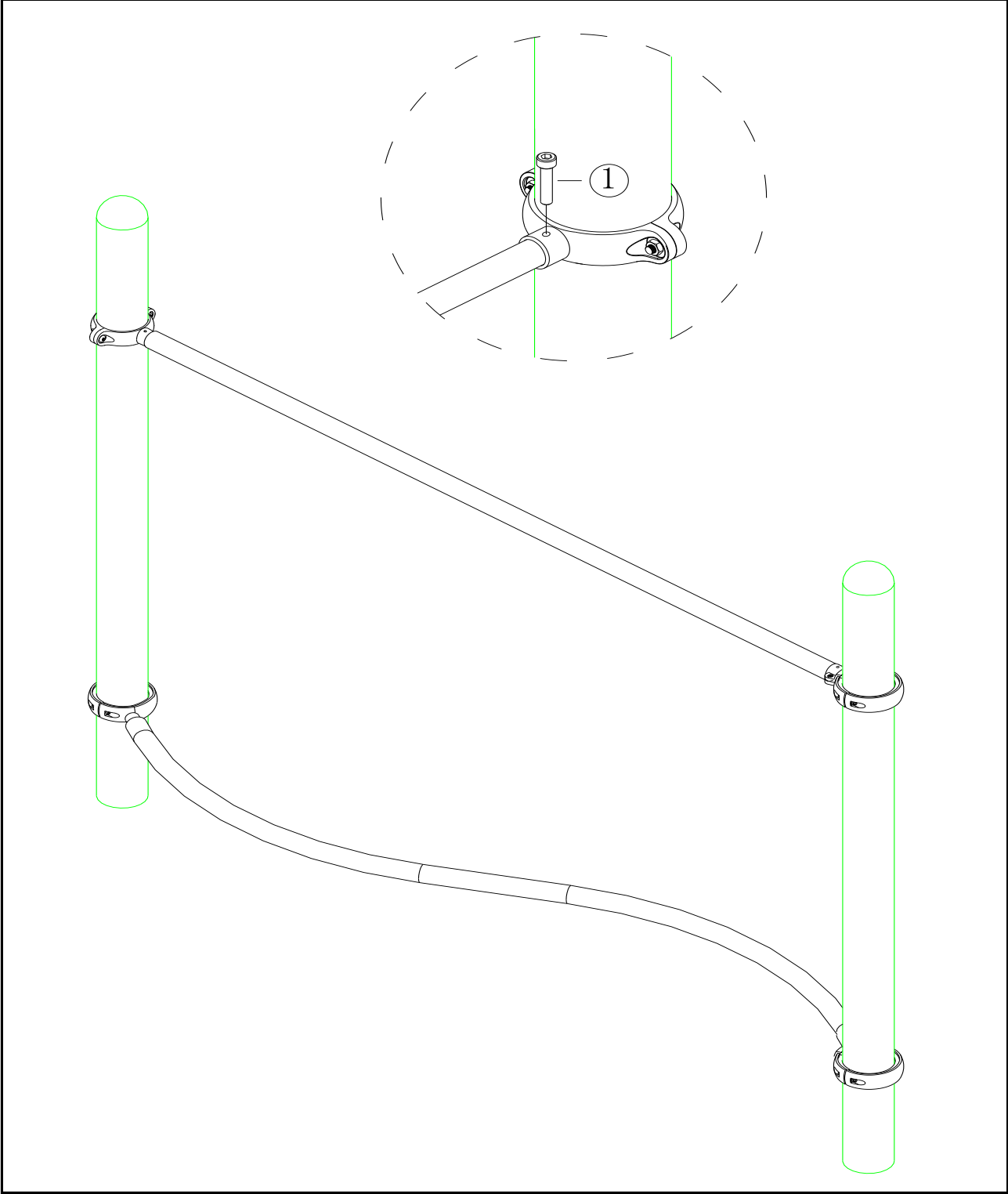


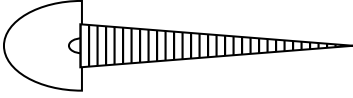
	ITEM	ITEM NAME	SPECIFICATION	QUANTITY	PICTURE
S-SHAPE D FRAME	S-SHAPED FRAME			1	
	1	BOLT	M8x55	2	
	2	LOCK NUT	M8	2	
	3	BOLT	M10x25	4	
	4	WASHER	M10	4	
5	SPRING WASHER	M10	4		

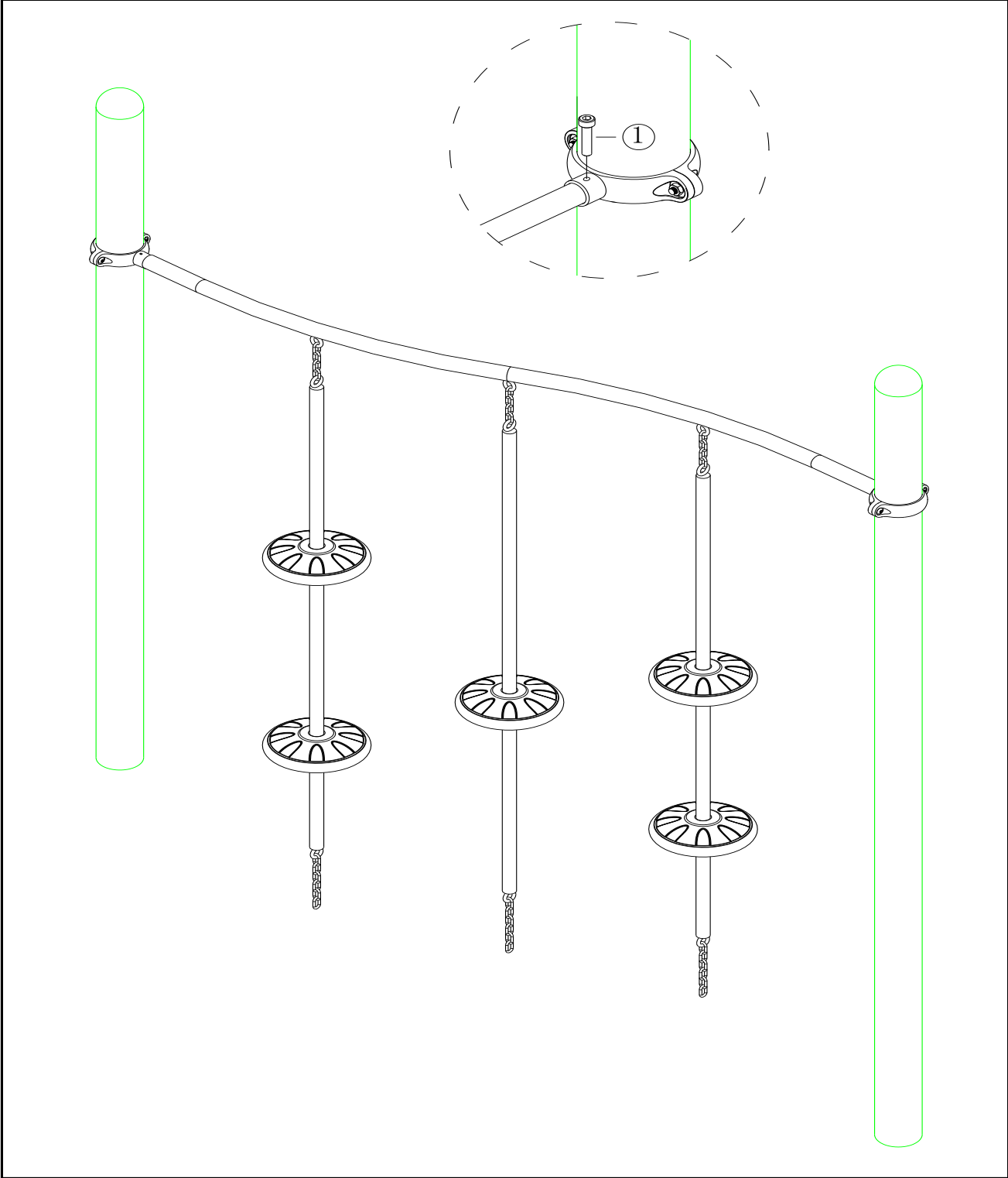
REMARK S-SHAPED FRAME CONNECTION

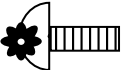


	ITEM	ITEM NAME	SPECIFICATION	QUANTITY	PICTURE
S SINGLE- PLANK BRIDGE	S	SINGLE-PLANK	BRIDGE	1	
	1	SELF-TAPPING SCREW	M4x35	4	
	2				
	3				
REMARK		S SINGLE-PLANK BRIDGE CONNECT WITH POST			

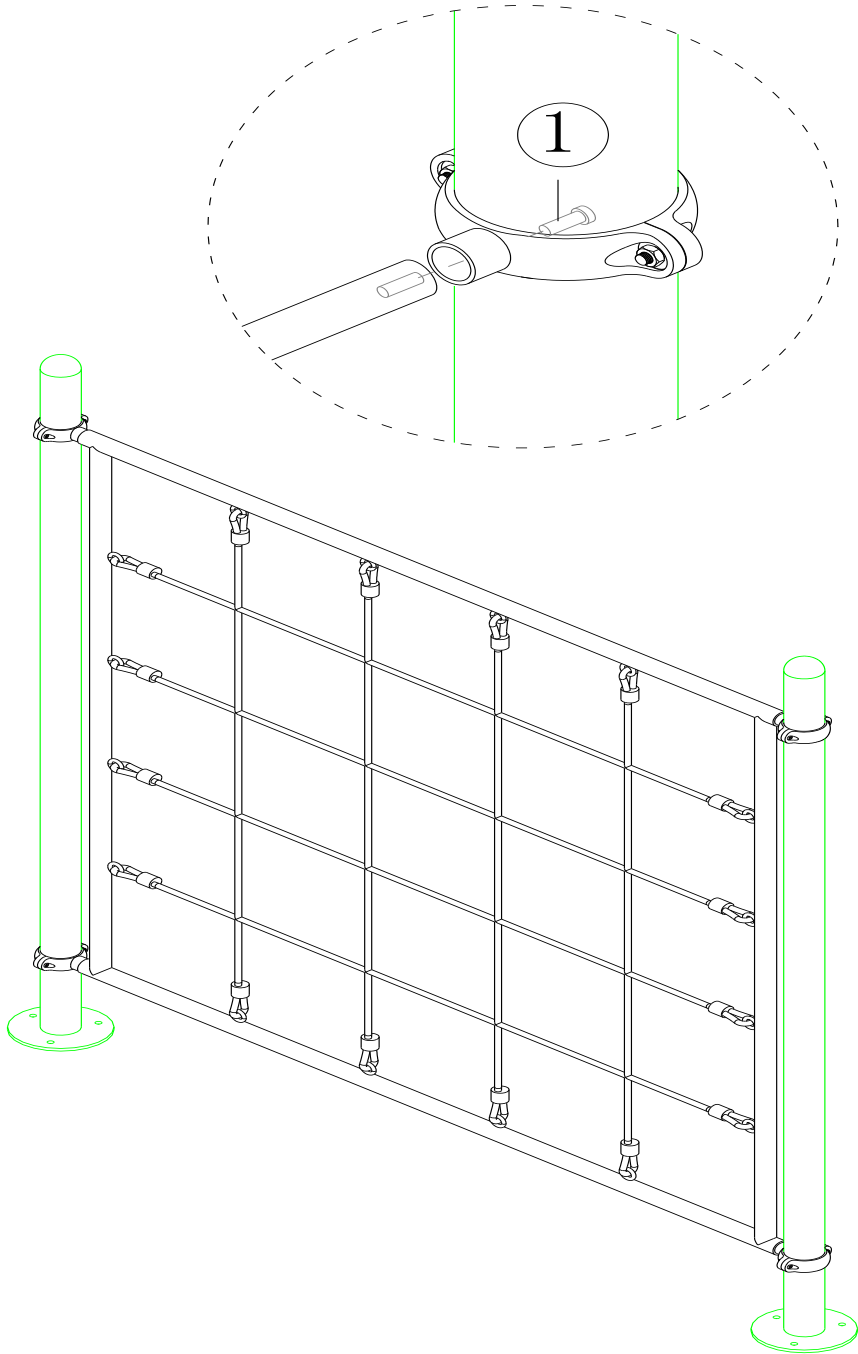


	ITEM	ITEM NAME	SPECIFICATION	QUANTITY	PICTURE
BRIDGE		BRIDGE		1	
	1	SELF-TAPPING SCREW	M4x35	2	
	2				
	3				
REMARK	BRIDGE CONNECT WITH POST				

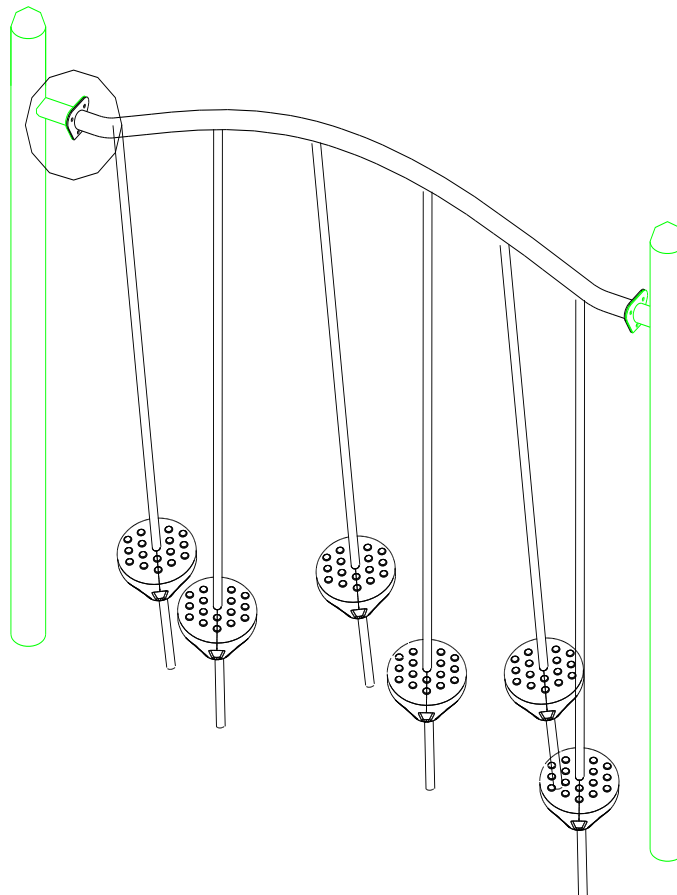
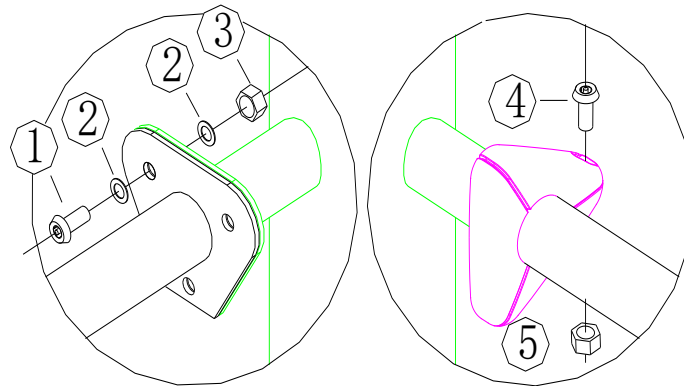


NET CLIMBER	ITEM	ITEM NAME	SPECIFICATION	QUANTITY	PICTURE
		NET CLIMBER			
	1	BOLT	M8x30	4	

REMARK NET CLIMBER CONNECT WITH POST

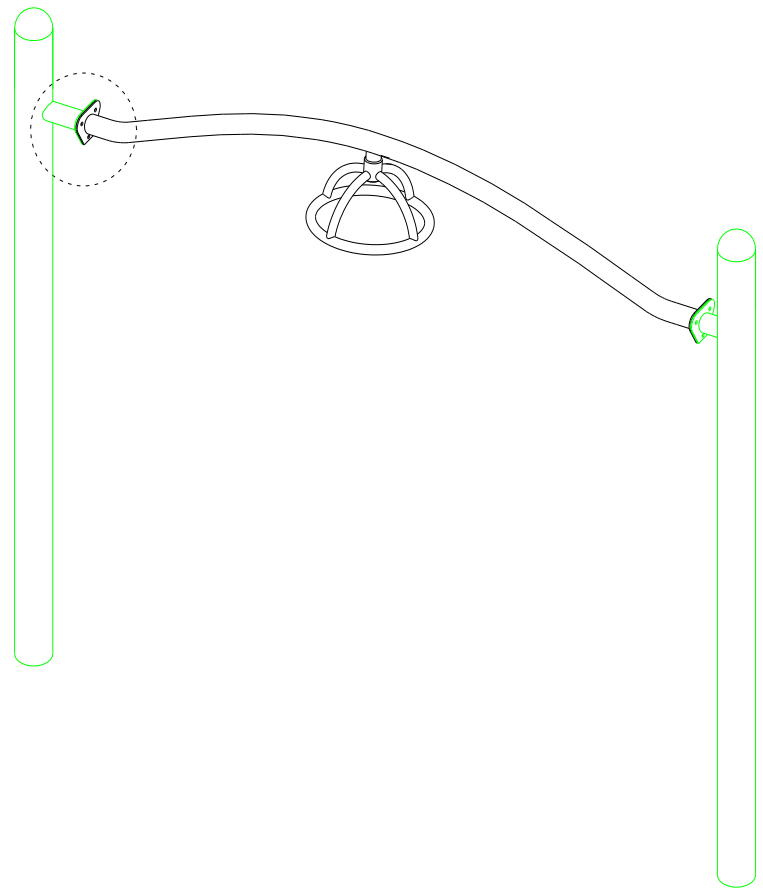
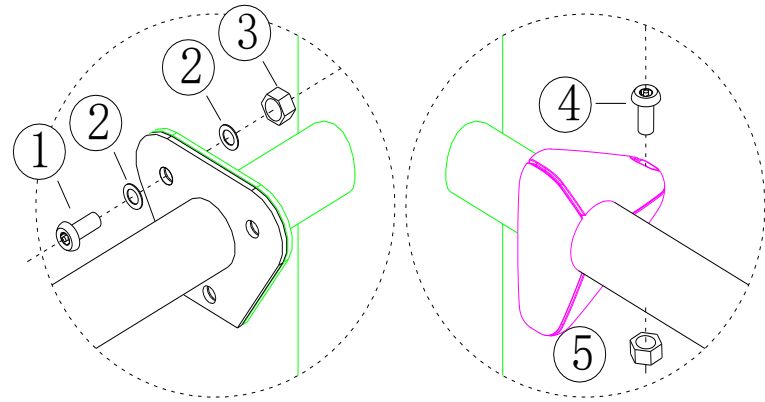


	ITEM	ITEM NAME	SPECIFICATION	QUANTITY	PICTURE
POD BRIDGE	POD BRIDGE			1	
	1	BOLT	M10x25	6	
	2	WASHER	M10	12	
	3	LOCK NUT	M10	6	
	4	BOLT	M8x30	2	
	5	LOCK NUT	M8	2	
REMARK	POD BRIDGE CONNECT WITH POST				

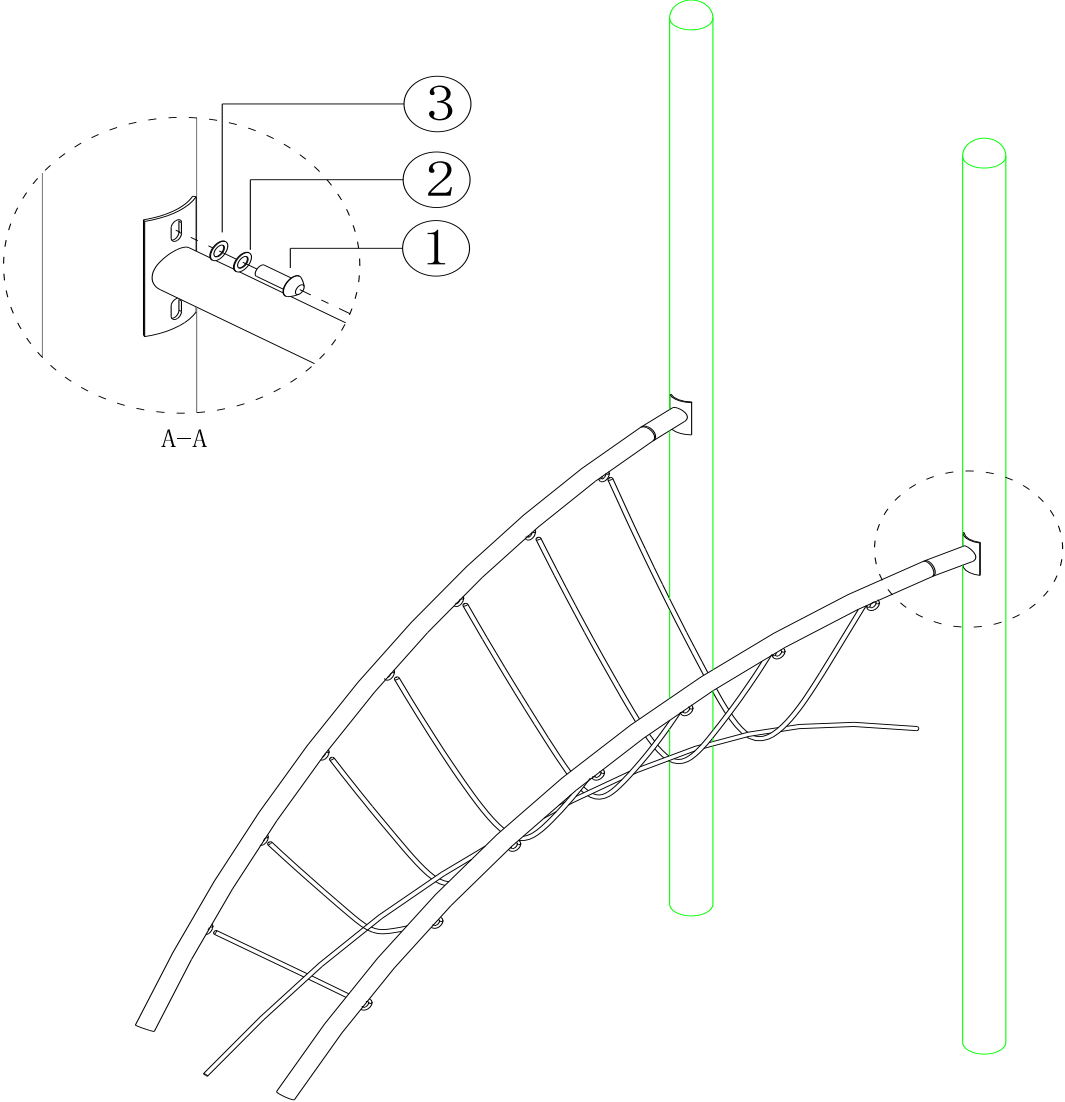


	ITEM	ITEM NAME	SPECIFICATION	QUANTITY	PICTURE
WHEEL LADDER	WHEEL LADDER			1	
	1	BOLT	M10x25	6	
	2	WASHER	M10	12	
	3	LOCK NUT	M10	6	
	4	BOLT	M8x30	2	
	5	LOCK NUT	M8	2	

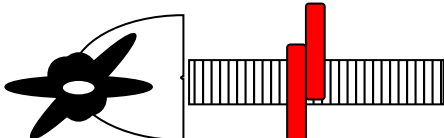
REMARK WHEEL LADDER CONNECT WITH POST

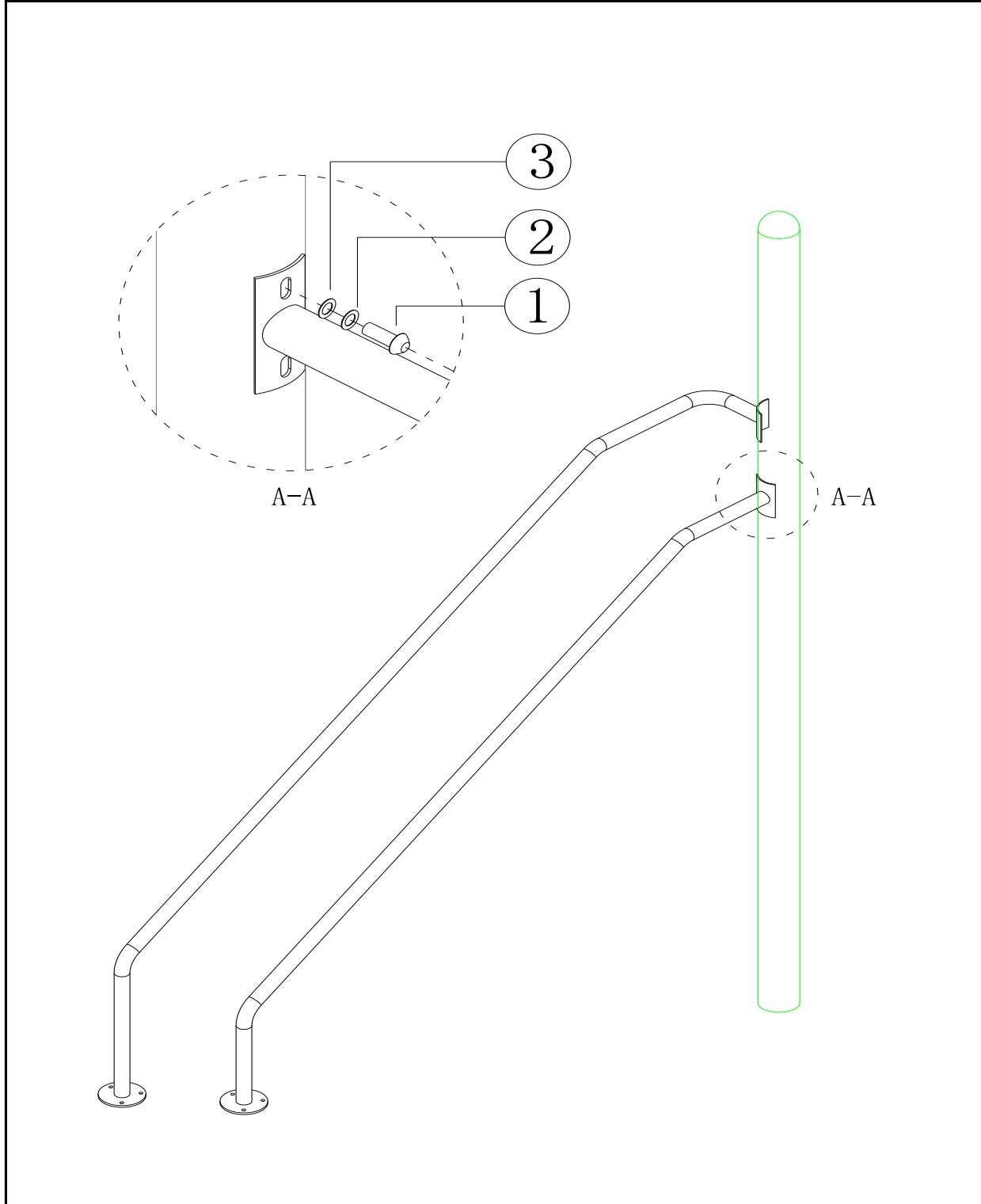


	ITEM	ITEM NAME	SPECIFICATION	QUANTITY	PICTURE
NET BRIDGE	NET BRIDGE			1	
	1	BOLT	M10x25	8	
	2	SPRING WASHER	M10	8	
	3	WASHER	M10	8	
REMARK	NET BRIDGE CONNECTION				



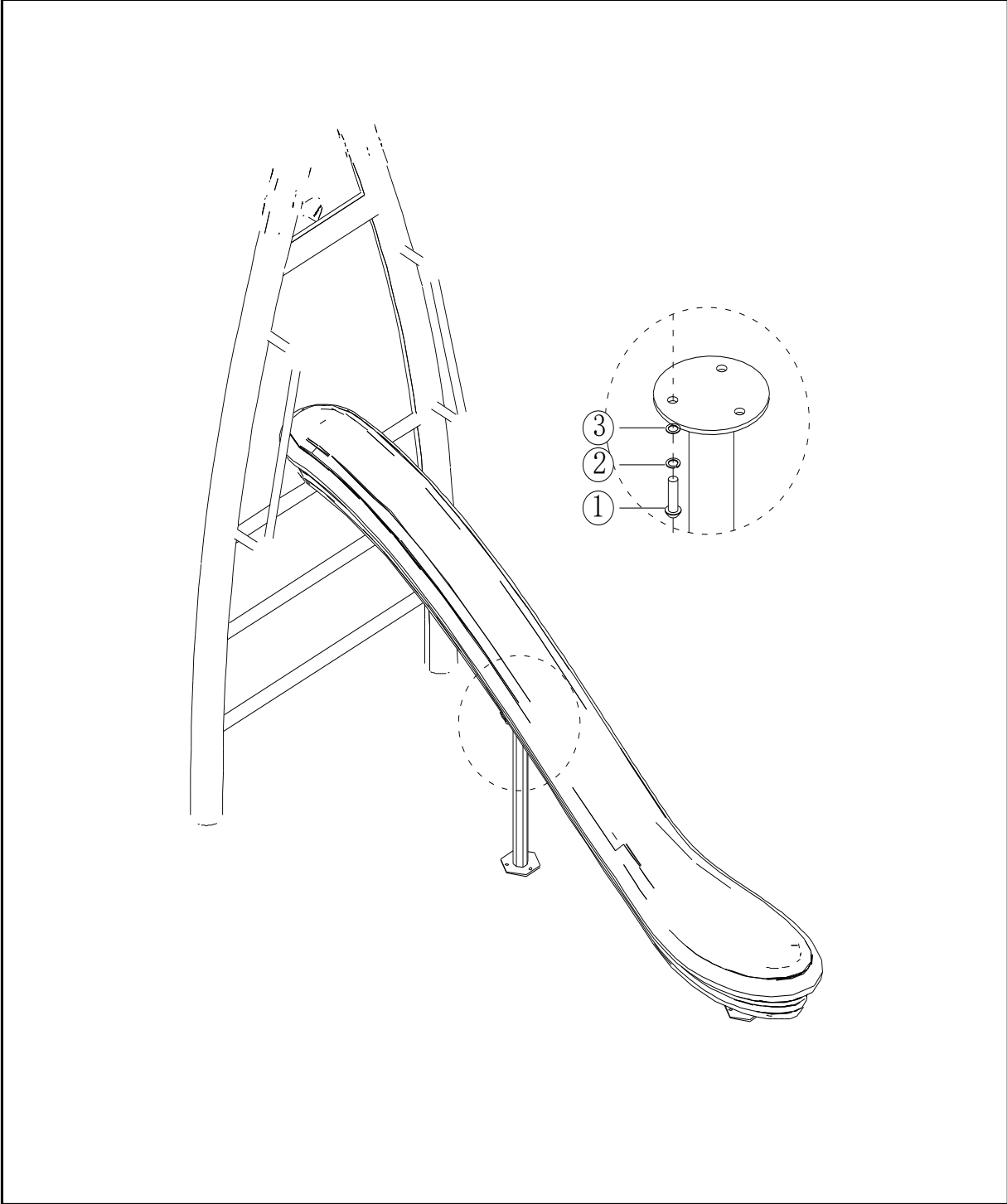


	ITEM	ITEM NAME	SPECIFICATION	QUANTITY	PICTURE
SLIDER	SLIDER			1	
	1	BOLT	M10x25	4	
	2	SPRING WASHER	M10	4	
	3	WASHER	M10	4	
REMARK		SLIDER CONNECTION			



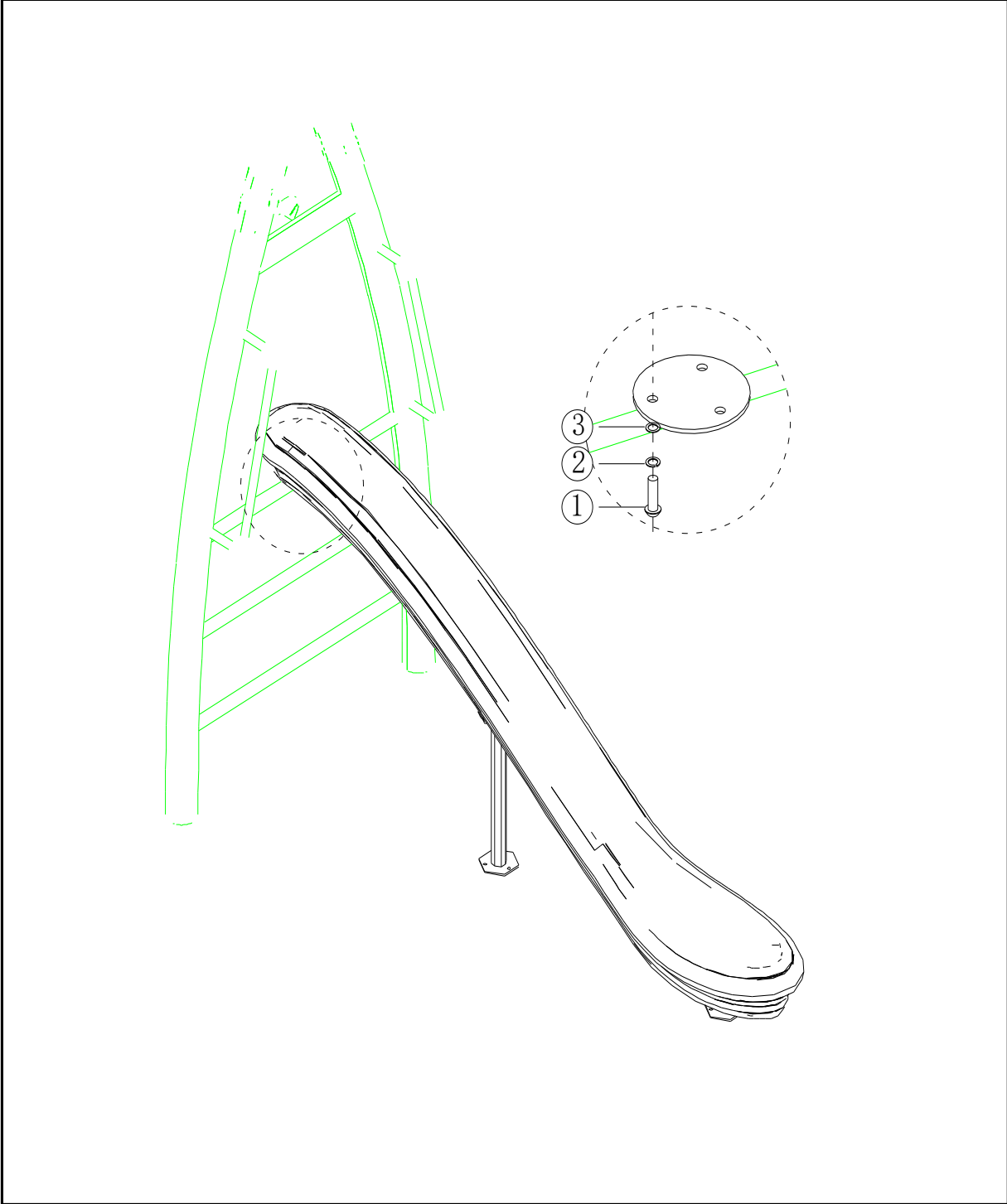
	ITEM	ITEM NAME	SPECIFICATION	QUANTITY	PICTURE
SLIDE	SLIDE			1	
	1	BOLT	M10x25	2	
	2	SPRING WASHER	M10	2	
	3	WASHER	M10	2	

REMARK	SLIDE CONNECTION
--------	------------------



	ITEM	ITEM NAME	SPECIFICATION	QUANTITY	PICTURE
SLIDE	SLIDE			1	
	1	BOLT	M10x25	2	
	2	SPRING WASHER	M10	2	
	3	WASHER	M10	2	

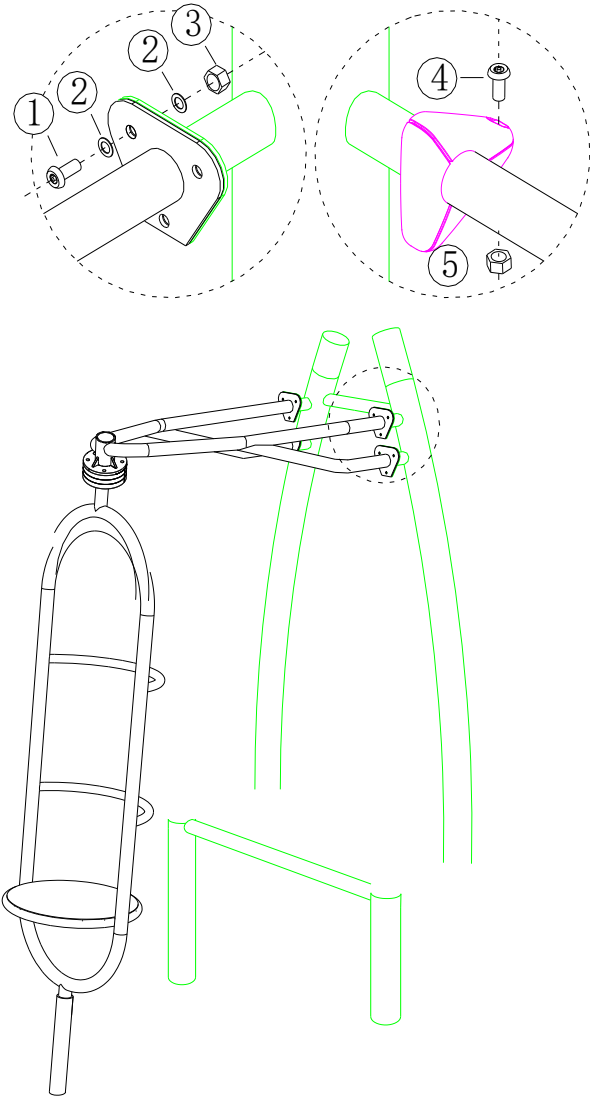
REMARK	SLIDE CONNECTION
--------	------------------



	ITEM	ITEM NAME	SPECIFICATION	QUANTITY	PICTURE
SPINNER	SPINNER			1	
	1	BOLT	M10x25	6	
	2	WASHER	M10	12	
	3	LOCK NUT	M10	6	
	4	BOLT	M8x40	2	
	5	LOCK NUT	M8	2	

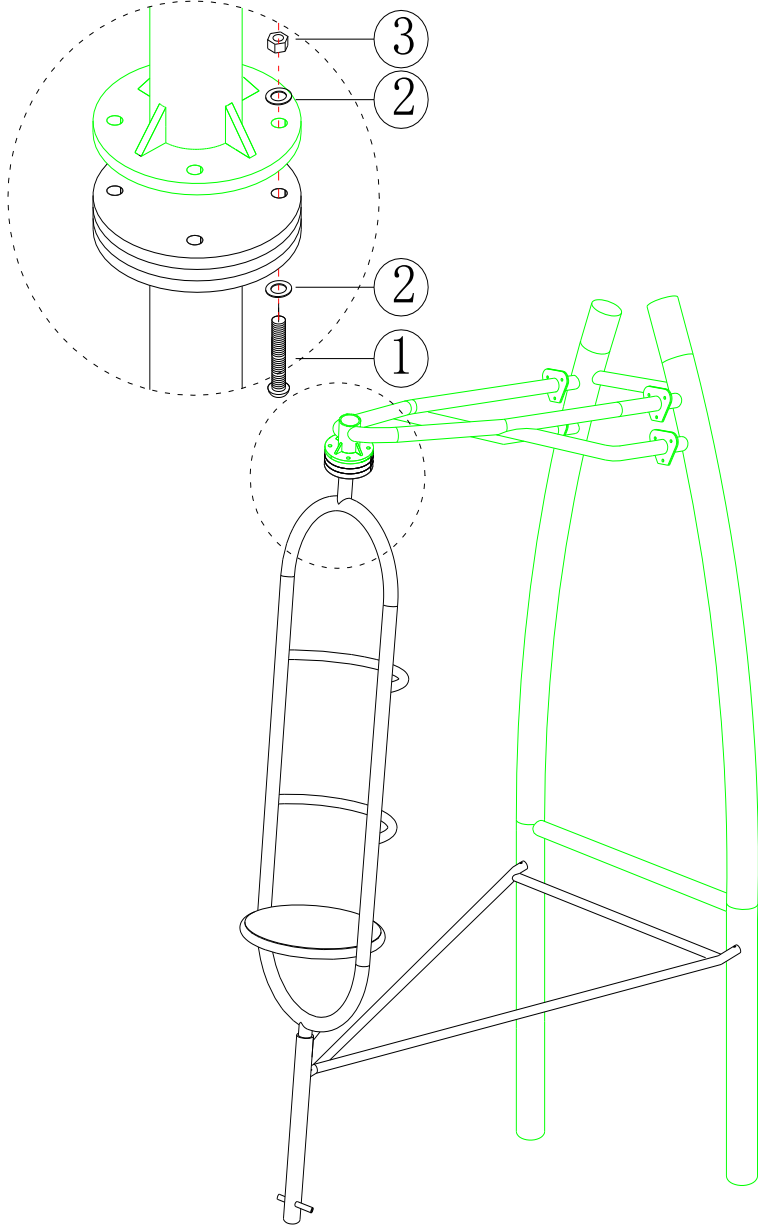
REMARK

SPINNER CONNECT WITH POST



	ITEM	ITEM NAME	SPECIFICATION	QUANTITY	PICTURE
SPINNER	SPINNER			1	
	1	BOLT	M10x25	3	
	2	WASHER	M10	6	
	3	LOCK NUT	M10	3	

REMARK SPINNER CONNECT WITH UPPER BRACKET



	ITEM	ITEM NAME	SPECIFICATION	QUANTITY	PICTURE
SPINNER	SPINNER			1	
	1	BOLT	M10x45	3	
	2	WASHER	M10	6	
	3	LOCK NUT	M10	3	

REMARK

SPINNER CONNECT WITH LOWER BRACKET

