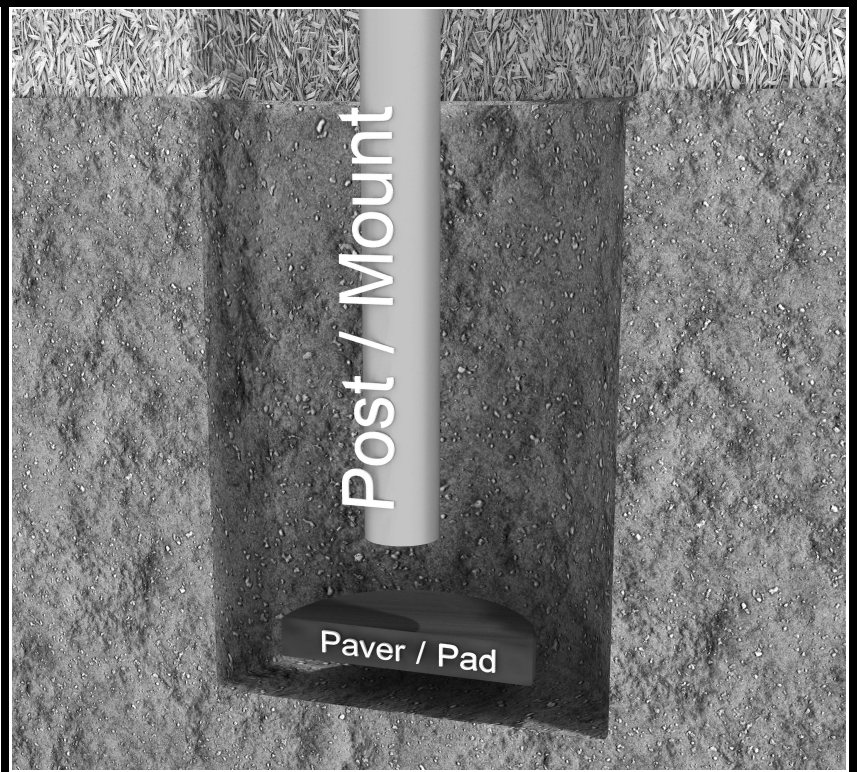


# Inground Post/Mount Installation

## STEP: 1

**DO NOT CEMENT POSTS/MOUNTS INTO PLACE UNTIL THE ENTIRE STRUCTURE IS ASSEMBLED.**

Refer to the General Installation guide footing size information and digging proper holes for the support posts/mounts.



10859 E Washington St. Suite 200  
Indianapolis, IN 46229  
1-800-667-0097

Created By: Gage Brown  
Date: 04/26/2018

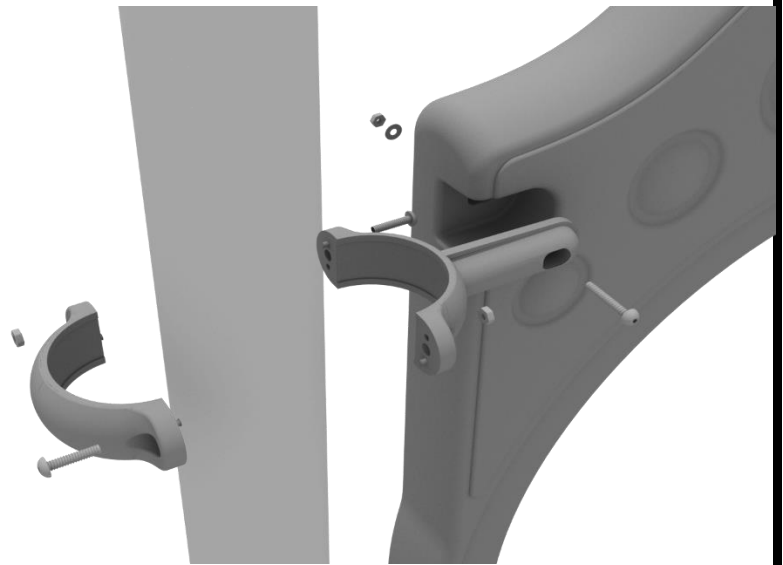
## 3.5-Inch Clamp Installation Examples

The following three pages will include examples of how to install some of the most common types of Clamps that are present on our structures that use 3.5-inch outside diameter posts. The structure that you are assembling might not require all the types of clamps listed in these examples.

The Install Guides for specific components that come later in this document might call for a specific type of clamp (a tube clamp for example), those sections will not include detailed instructions for the clamps and should direct you back to this section for more detailed information.

### 3.5-inch Flat Clamp Install Example

Connect half of the flat clamp to the component using one (1) M8\*40 bolt. Then, using the other half of the flat clamp and the hardware provided in the clamp hardware bag, attach the backside of the flat clamp around the post.



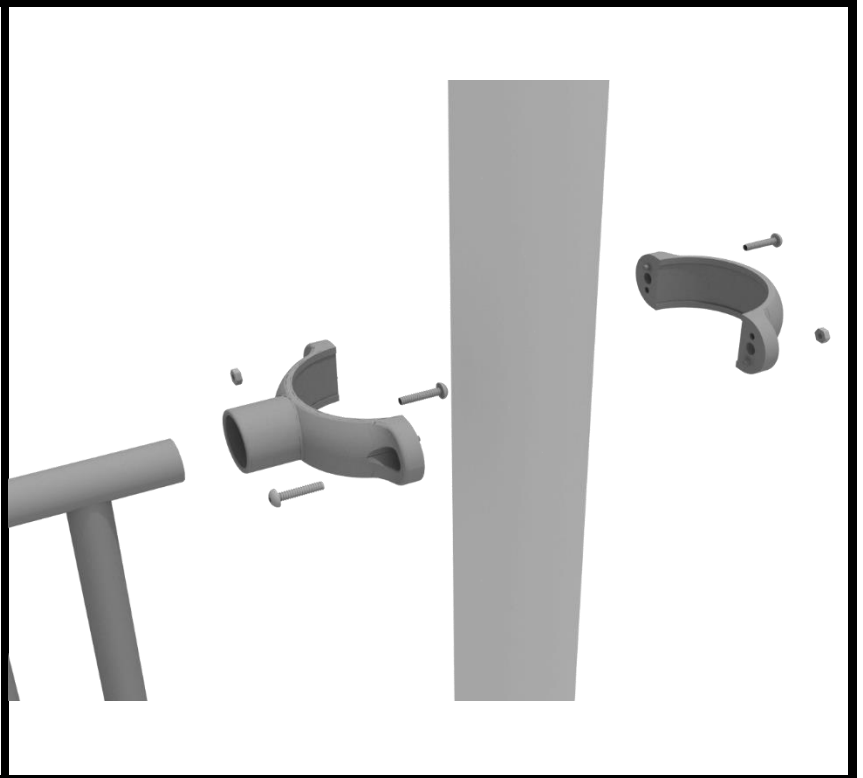
10859 E Washington St. Suite 200  
Indianapolis, IN 46229  
1-800-667-0097

Created By: Derick H  
Date: 11/01/2018

## 3.5-Inch Clamp Installation Examples

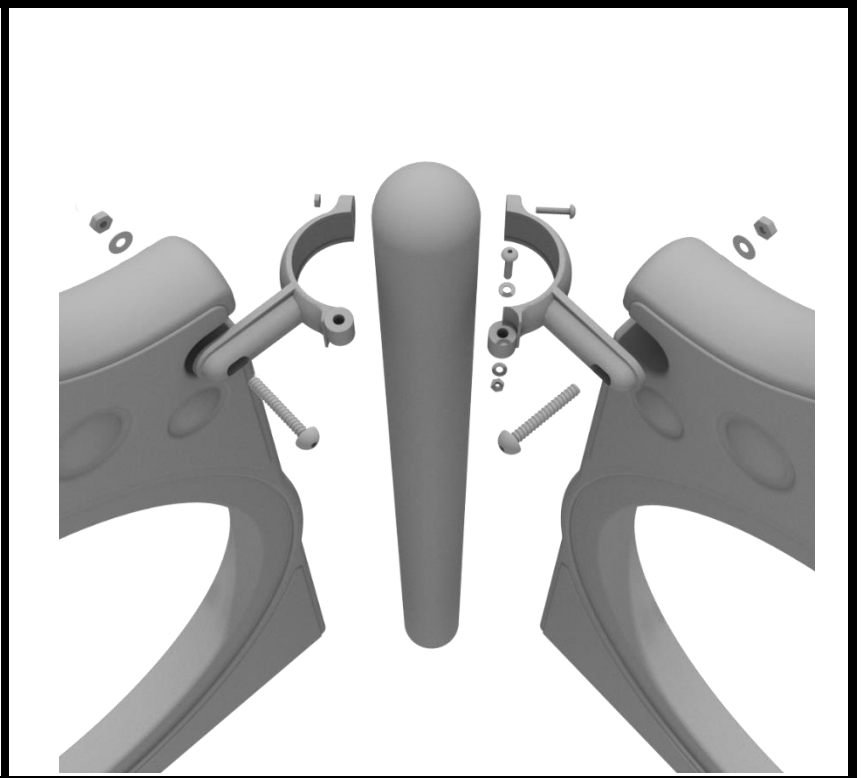
### 3.5-inch Tube Clamp Install Example

Connect half of the clamp to the component using one (1) M8\*30 bolt. Then, using the other half of the tube clamp and the hardware provided in the clamp hardware bag, attach the backside of the tube clamp around the post.



### 3.5-inch 90-Degree Flat Clamp Install Example

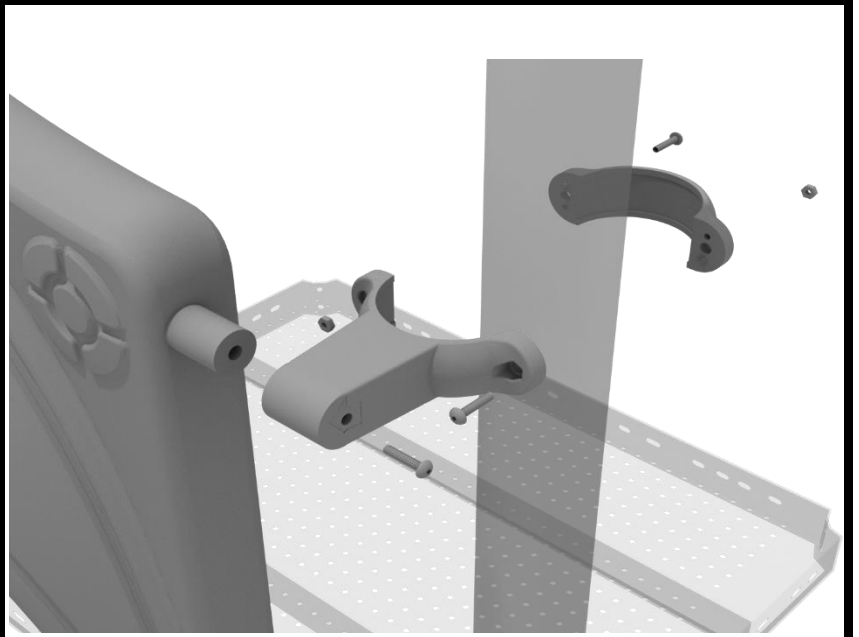
Connect half of the flat clamp to one panel using one (1) M8\*40 bolt. Then, using the other half of the flat clamp and the hardware provided in the clamp hardware bag, attach the other half of the tube clamp around the post. Then, attach the next panel to the other side of the clamp using the same process.



## 3.5-Inch Clamp Installation Examples

### 3.5-inch Double Slide Clamp Install Example

Connect half of the double slide clamp to the double slide hood using one (1) M8\*30 bolt. Then, using the other half of the clamp and the hardware provided in the clamp hardware bag, attach the backside of the double slide clamp around the post.



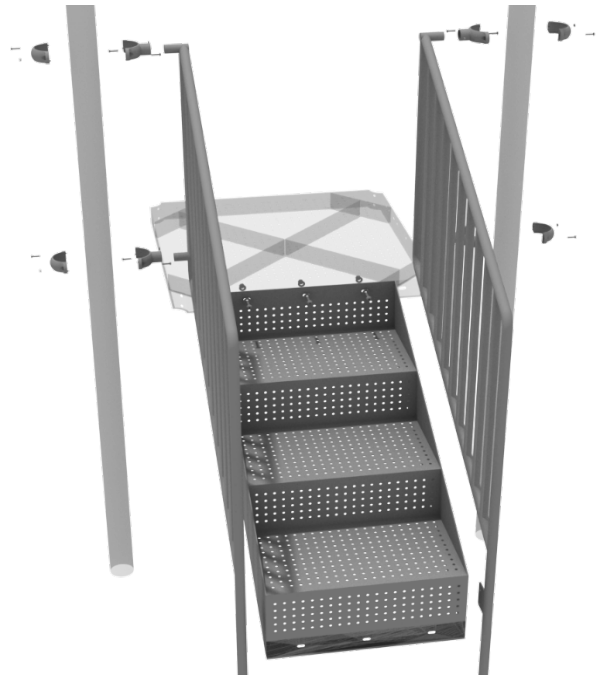
10859 E Washington St. Suite 200  
Indianapolis, IN 46229  
1-800-667-0097

Created By: Derick H  
Date: 11/01/2018

# 48" Transfer Station (3.5" post) Installation

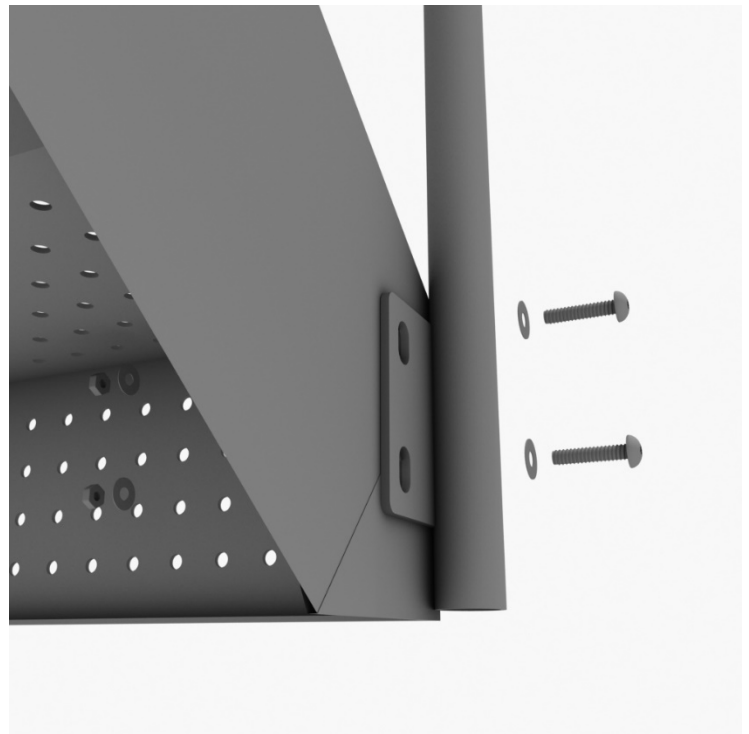
## STEP: 1

Connect the 4-foot Transfer Handrails to the designated posts using four (4) tube clamps, and four (4) M8\*30 bolts. Using three (3) M10\*25 bolts, six (6) M10 washers, and three (3) M10 lock nuts, attach the top of the stairs to the deck. See the general installation guide regarding footing information for the handrail and set them into the ground.



## STEP: 2

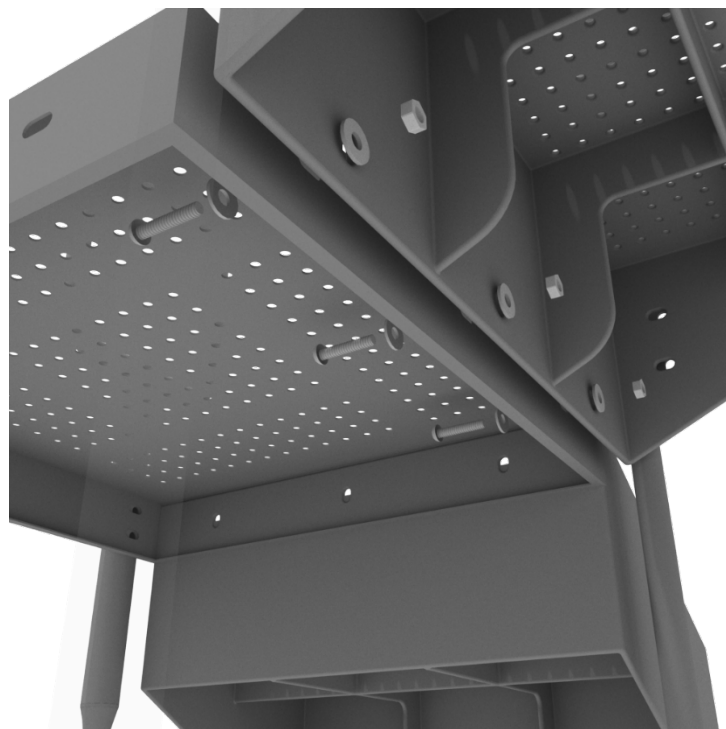
Using three (3) M10\*25 bolts, six (6) M10 washers, and three (3) M10 lock nuts, attach the top of the stairs to the deck. Then using four (4) M10\*30 bolts, eight (8) M10 washers, and four (4) M10 lock nuts, attach the handrail to the bottom of the stairs.



# 4-foot Transfer Station Installation

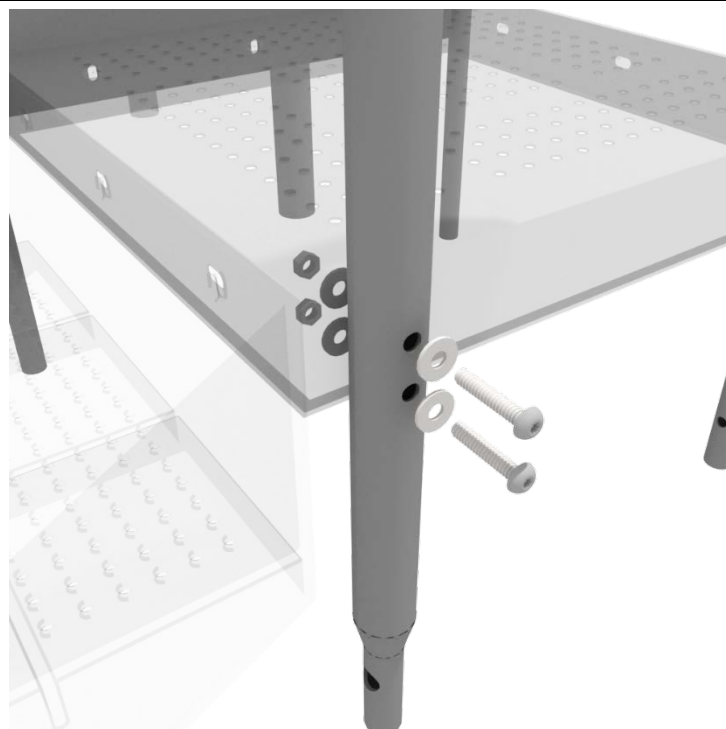
## STEP: 3

Using three (3) M10\*25 bolts, six (6) M10 washers, and three (3) M10 lock nuts, attach the ADA transfer deck to the base of the 4-foot ADA transfer stair.



## STEP: 4

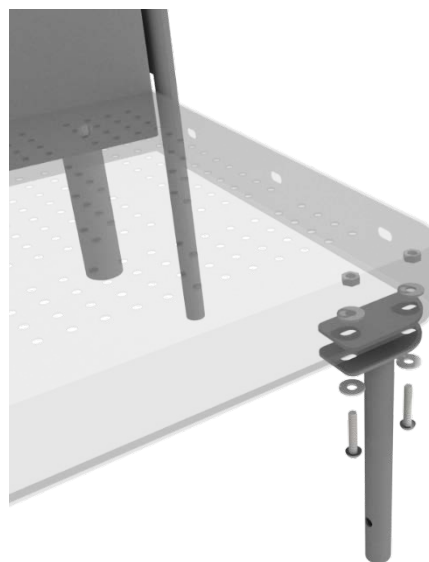
See general installation guide regarding footing information for the transfer deck handrail & mount. Using two (2) M10\*65 bolts, four (4) M10 washers, and two (2) M10 lock nuts, attach the transfer handrail to the ADA transfer deck.



# 4-foot Transfer Station Installation

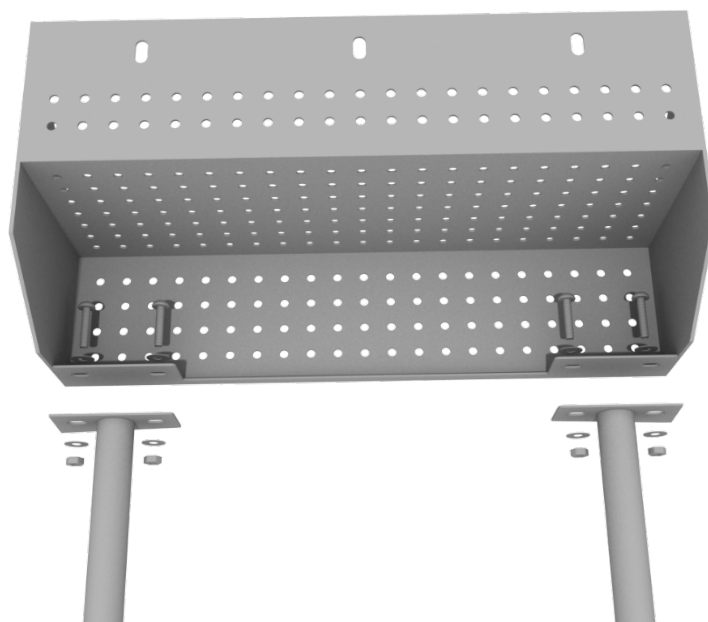
## STEP: 5

Using two (2) M10\*25 bolts, four (4) M10 washers, and two (2) lock nuts, attach the transfer deck mount to the ADA transfer deck.



## STEP: 6

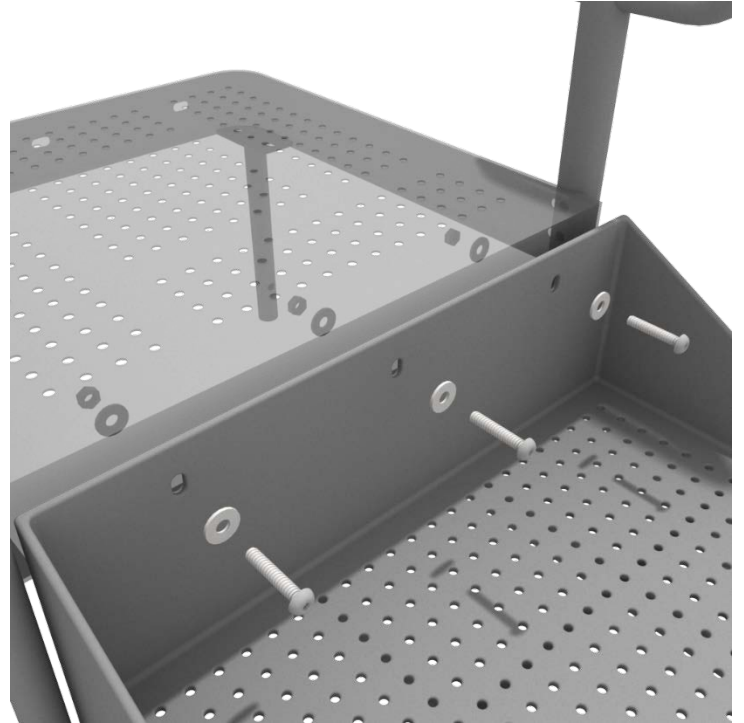
See general installation guide regarding footing information for the ADA transfer step mount. Using four (4) M10 bolts, eight (8) M10 washers, and four (4) M10 lock nuts, attach the transfer step to the ADA transfer step mount.



# 4-foot Transfer Station Installation

## STEP: 7

Using three (3) M10\*25 bolts, six (6) M10 washers, and three (3) M10 washers, attach the top of the ADA transfer step to the ADA transfer deck.





# Rectangle Deck Installation

## STEP: 1

After the posts are in place, using four (4) M10\*35 bolts, eight (8) M10 washers, and four (4) M10 lock nuts, attach the rectangle deck to each pre-attached deck clamp as shown in the image.

Deck clamps are pre-attached to the posts and should not be altered in any way.



# Square Deck Installation

## STEP: 1

After the posts are in place, using four (4) M10\*35 Bolts, eight (8) M10 Washers, and four (4) M10 Lock Nuts, attach each square deck to each pre-attached deck clamp as shown in the image.

Deck clamps are pre-attached to the posts and should not be altered in any way.



# Triple Slide Deck Installation

## STEP: 1

After the posts are in place, using five (5) M10\*35 bolts, ten (10) M10 washers, and five (5) M10 lock nuts, attach the deck to each pre-attached deck clamp as shown in the image.

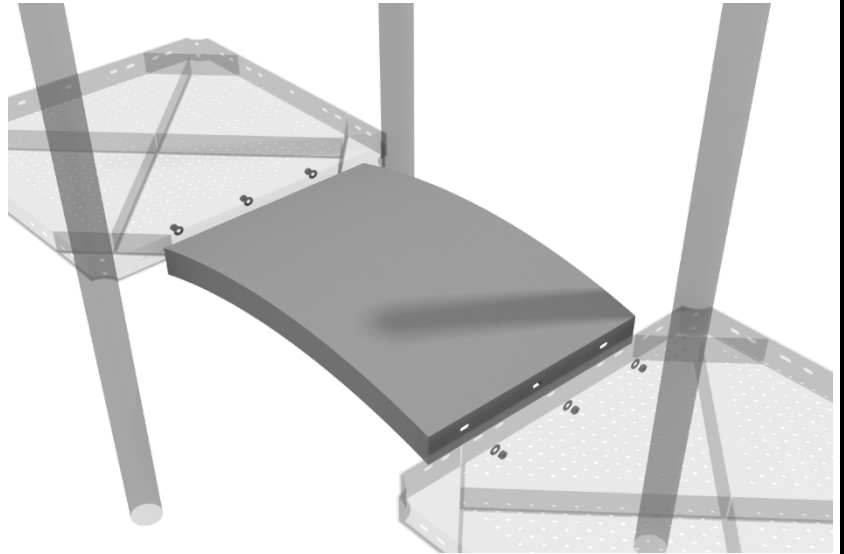
Deck clamps are pre-attached to the posts and should not be altered in any way.



# Mini Arch Bridge Installation

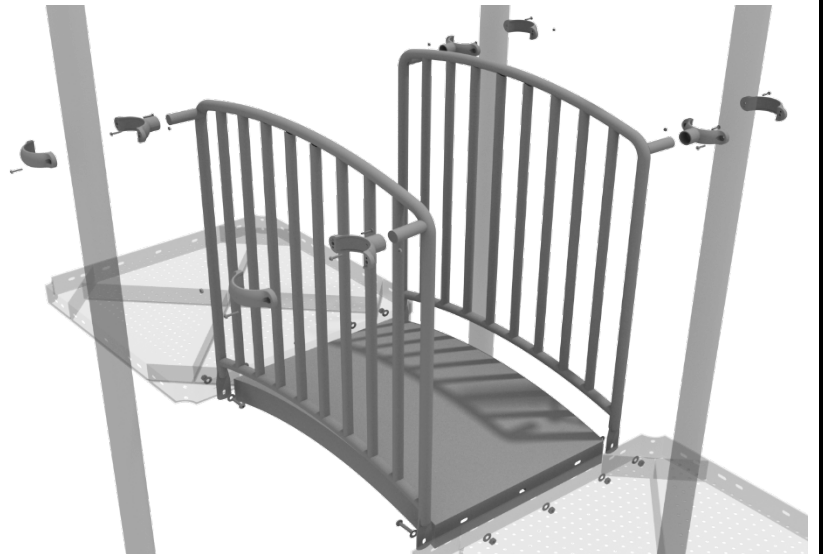
## STEP: 1

Attach the Mini Arch Bridge to the proper decks using three (3) M10\*25 bolts, six (6) M10 washers, and three (3) M10 lock nuts for each deck.



## STEP: 2

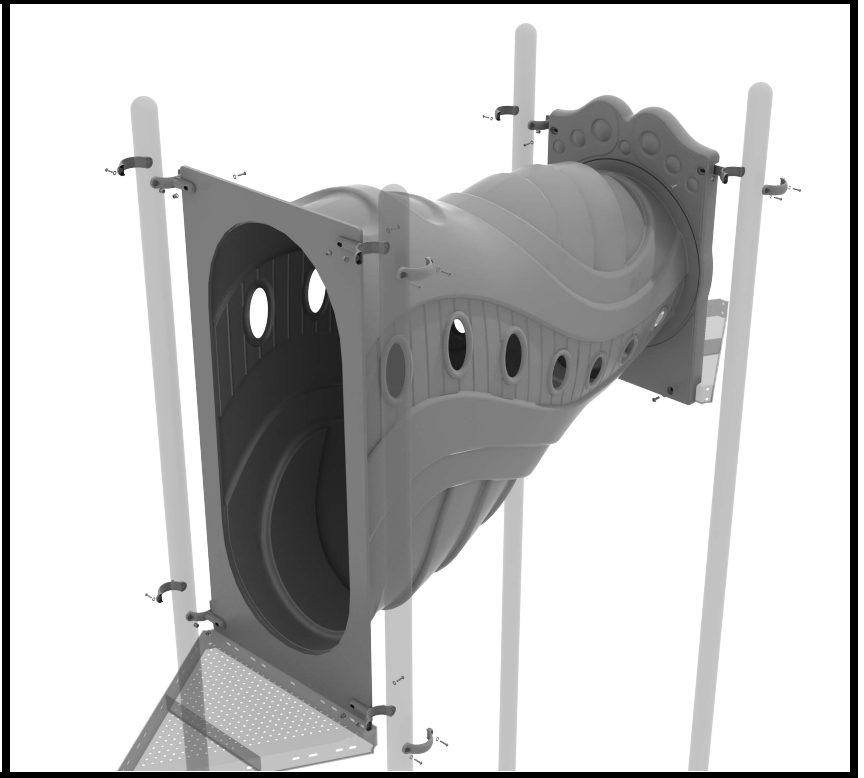
Then, once the bridge is in place, attach the Arch Bridge handrails to the posts using four (4) tube clamps, and four (4) M8\*30 bolts. Then, attach the bottom of the handrails to the decks using one (1) M10\*25 bolt, two (2) M10 washers, and one (1) M10 lock nut for each attachment point.



# Funnel Tube Bridge Installation

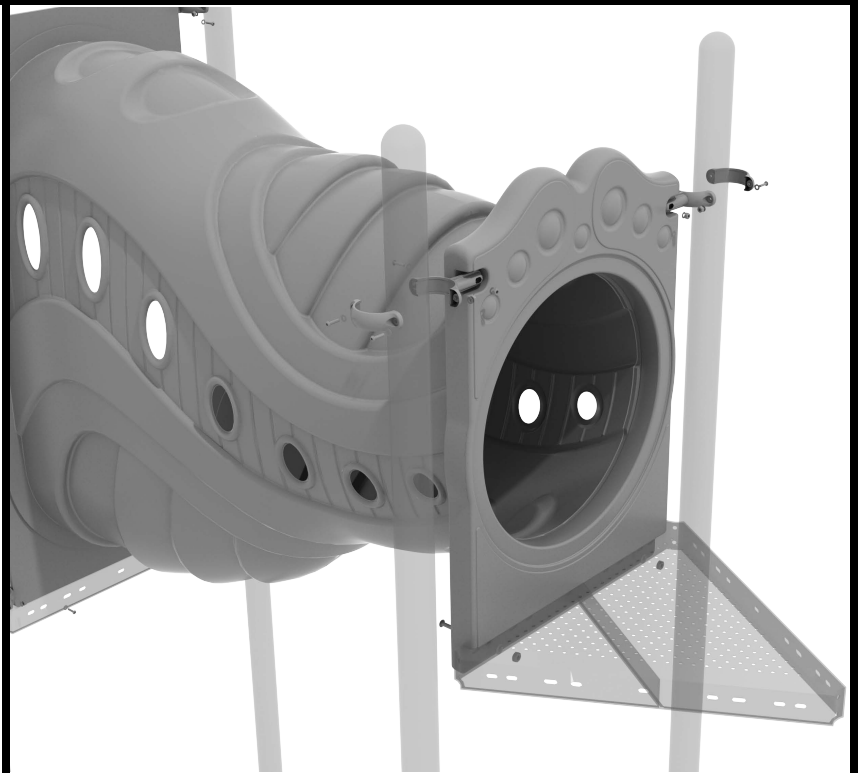
## STEP: 1

Attach the larger PE panel side of the Funnel Tube Bridge to the posts using four (4) flat clamp, four (4) M10\*50 bolts, eight (8) M10 washers, and four (4) M10 lock nuts.



## STEP: 2

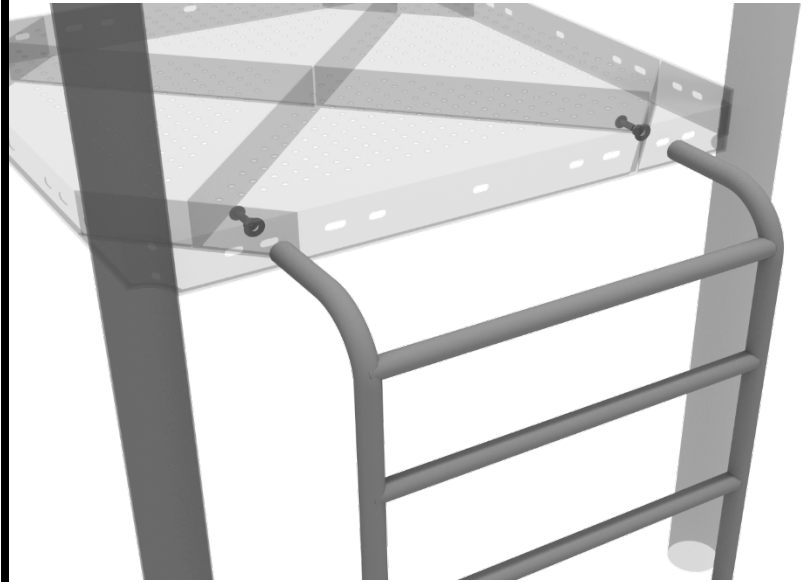
Attach circle panel side of the Funnel Tube bridge to the deck using two (2) M10\*50 bolts, four (4) M10 washers, and two (2) M10 lock nuts. Then, attach the top of the tube bridge to the posts using one (1) flat clamp, one (1) M8\*40 bolt, one (1) M8 washer, and one (1) M8 lock nut for each post attachment point.



# 4-foot Vertical Ladder Installation

## STEP: 1

See general installation guide regarding footing information for the 4-foot Vertical Ladder. Attach the ladder to the deck using two (2) M10\*25 bolts, two (2) M10 spring washers, and two (2) M10 washers.



# Rock Hole Climber Installation

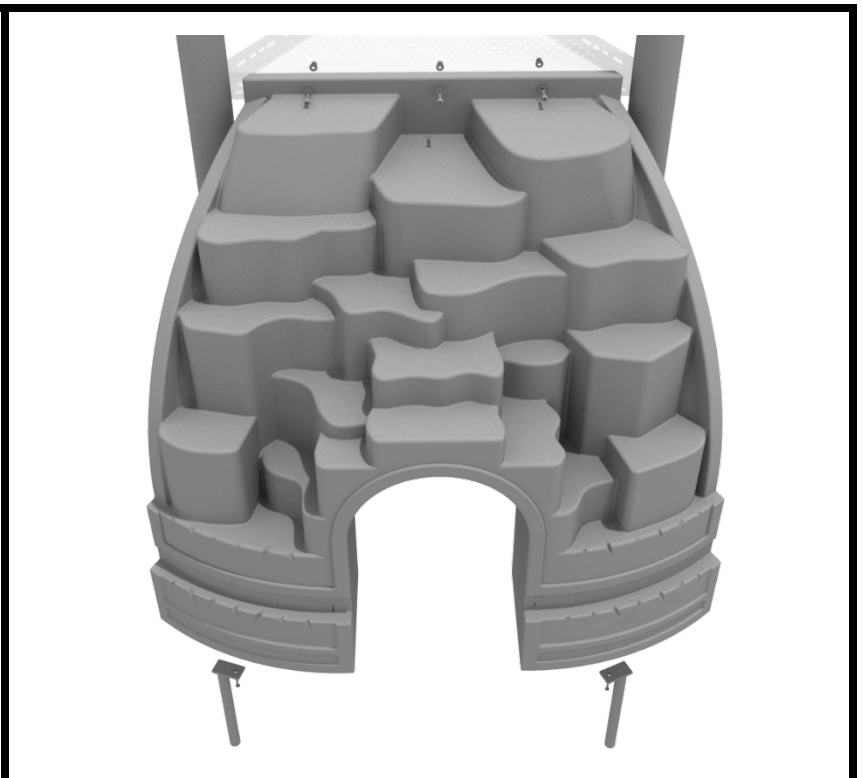
## STEP: 1

See general installation guide regarding footing information for the Rock Hole climber. Using two (2) M10\*20 bolts, two (2) M10 spring gaskets, and two (2) M10 washers, attach the bottom of the rock whole climber to the climber support posts.



## STEP: 1

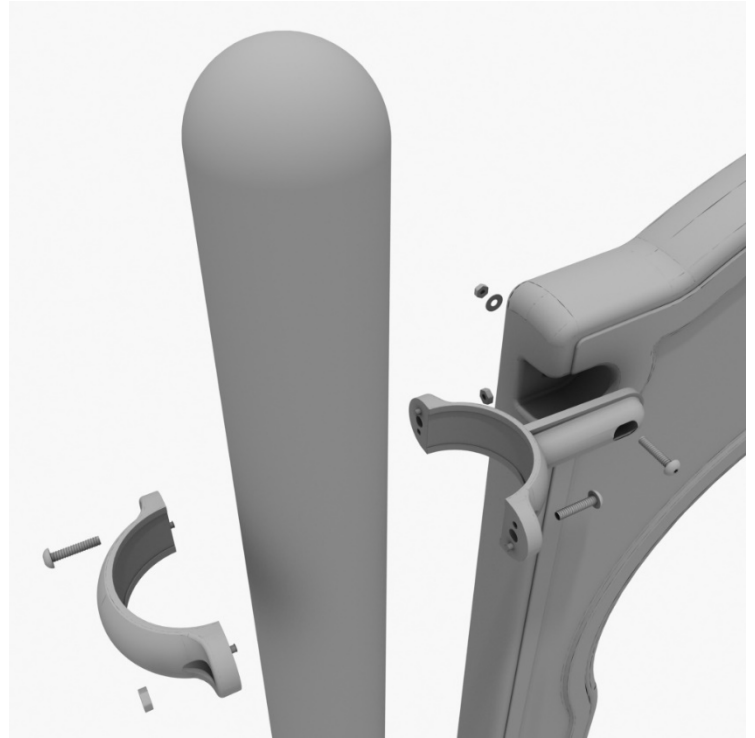
Then, using three (3) M10\*20 bolts, three (3) M10 spring washers, and three (3) M10 washers, attach the Rock hole climber to the deck.



# 4-foot Single Straight Slide Installation

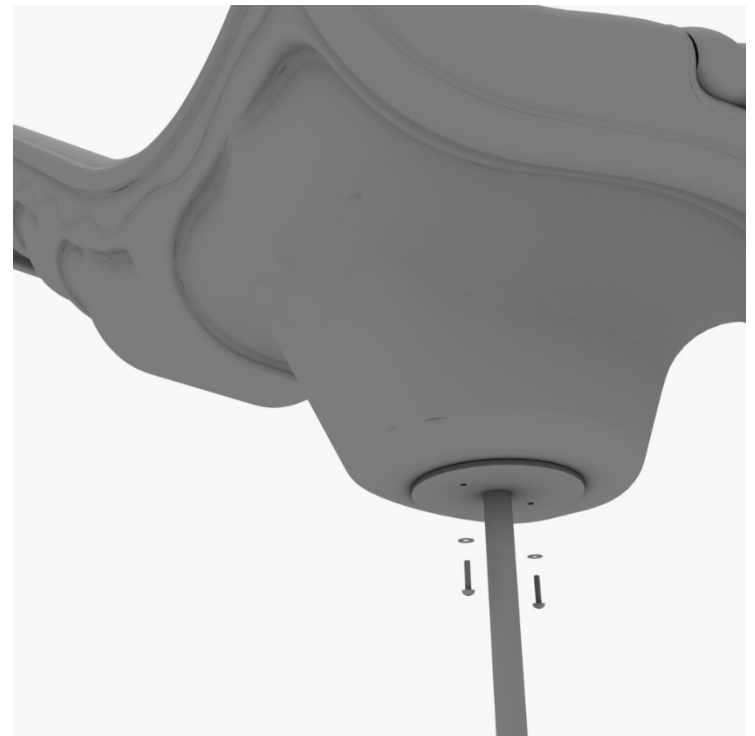
## STEP: 1

Take one (1) 3.5-inch flat clamp, and loosely attach it around a post using the bolts and nuts provided in the clamp hardware bag. Repeat this process on the other post. Then, use one (1) M8\*40 bolt, one (1) M8 washer, and one (1) M8 lock nut to attach each side of the slide hood to each clamp. Leave bolts loose until slide is in place.



## STEP: 2

See general installation guide regarding footing information for the slide end mount. Using two (2) M8\*20, two (M8) spring gaskets. And two (2) M8 washers, attach the slide to the slide support post.

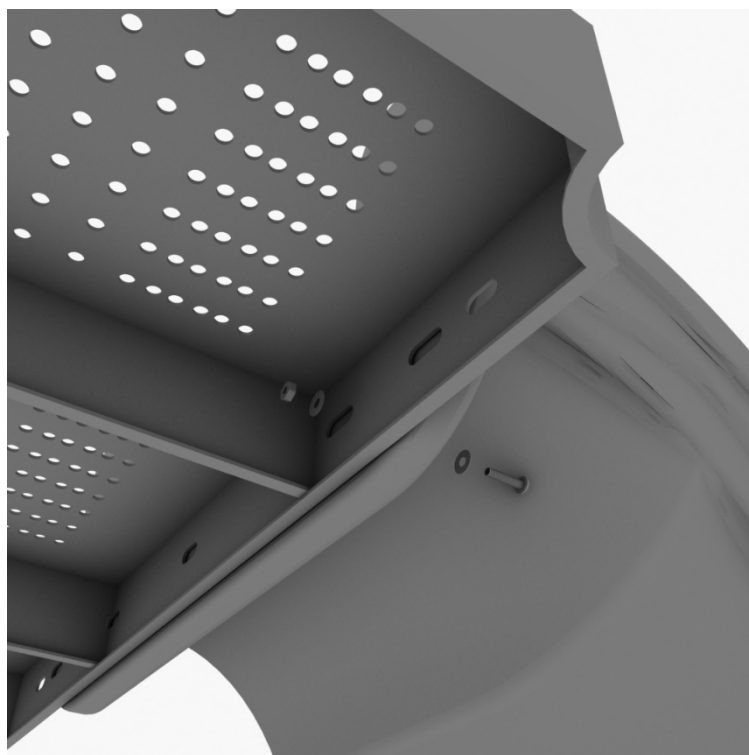




# 4-foot Single Straight Slide Installation

## STEP: 3

Using one (1) M10\*45 bolt, two (2) M10 washers, and two (2) M10 lock nuts, attach one side of the slide to the deck.



## STEP: 4

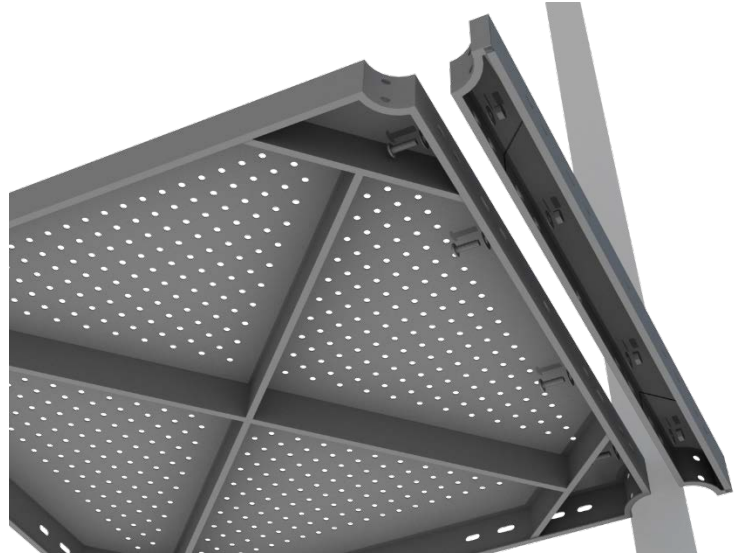
Using one (1) M8\*45 bolt, one (1) M8 washer, one (1) M12 washer, and one (1) M12 inner hex spiral nut, attach the slide to one side of the slide hood. Repeat this process for the other side of the slide.



# 4-foot Double Straight Slide Installation

## STEP: 1

Attach the deck climber extension to the proper deck using four (4) M10\*25 bolts, eight (8) M10 washers, and four (4) M10 lock nuts.



## STEP: 2

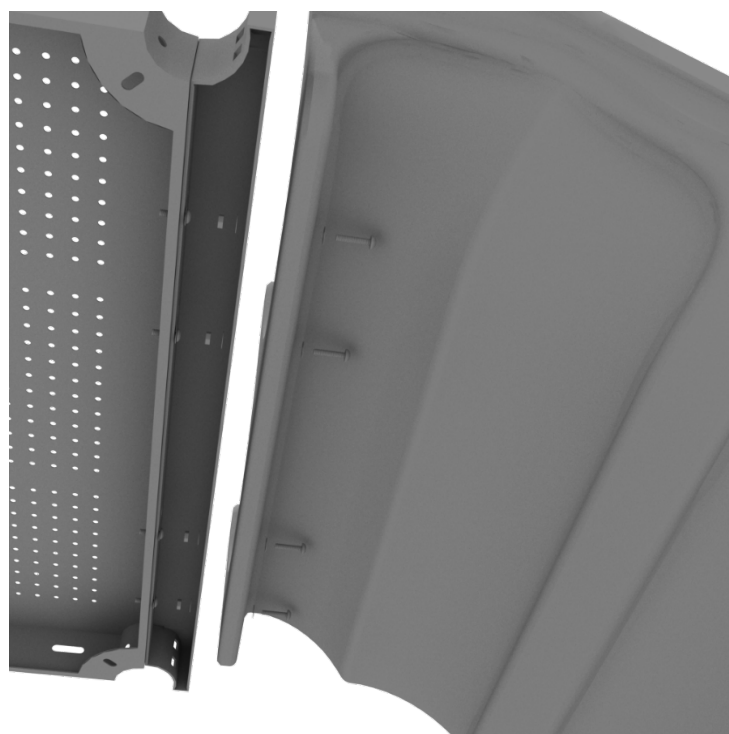
Then, See general installation guide regarding footing information for the double slide end mounts. Using two (2) M8\*20 bolts, two (2) M8 spring gaskets, and two (2) M8 washers, attach the slide end mounts to the double slide.



# 4-foot Double Straight Slide Installation

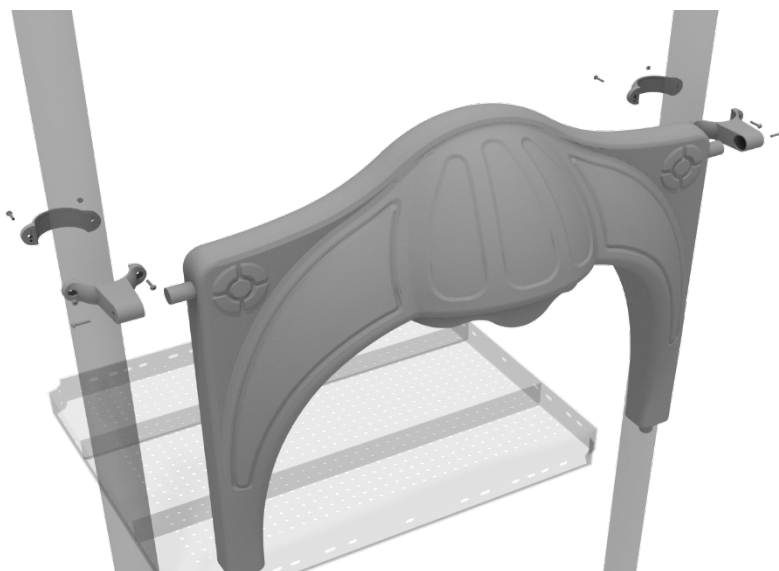
## STEP: 3

Then, attach the slide to the deck extension using four (4) M10\*45 bolts, eight (8) M10 washers, and four (4) M10 lock nuts.



## STEP: 4

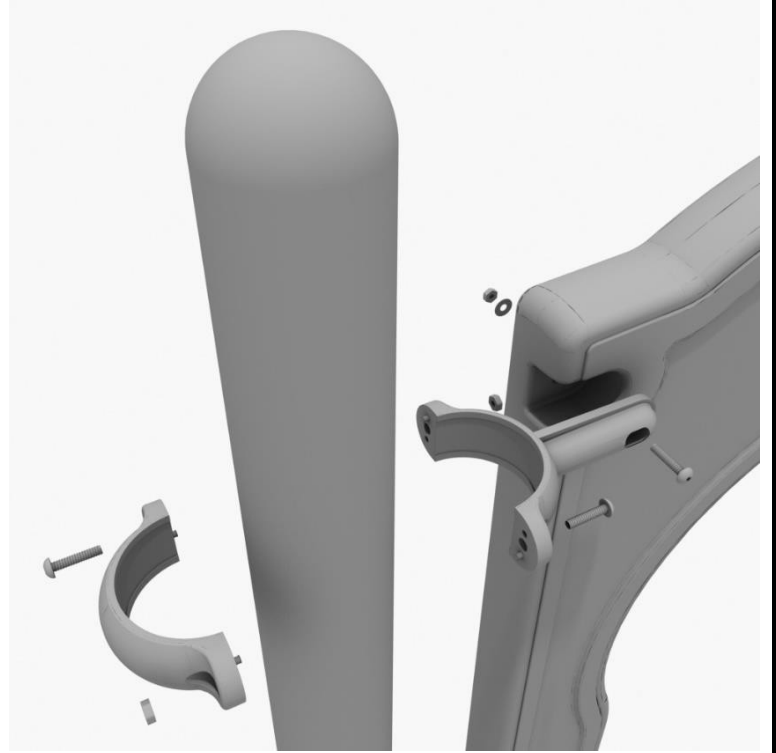
Once the slide is attached, take the double slide hood and insert hood into the top of the slide, and then attach the top using two (2) double slide clamps, and two (2) M8\*30 bolts.



## 4-Foot Sectional Slide

### Step 1

Take one (1) 3.5-inch flat clamp, and loosely attach it around a post using the bolts and nuts provided in the clamp hardware bag. Repeat this process on the other post. Then, use one (1) M8\*40 bolt, one (1) M8 washer, and one (1) M8 lock nut to attach each side of the slide hood to each clamp. Leave bolts loose until slide is in place.



### Step 2

Using the hardware pre-attached to the slide, connect the two sections of the slide together.



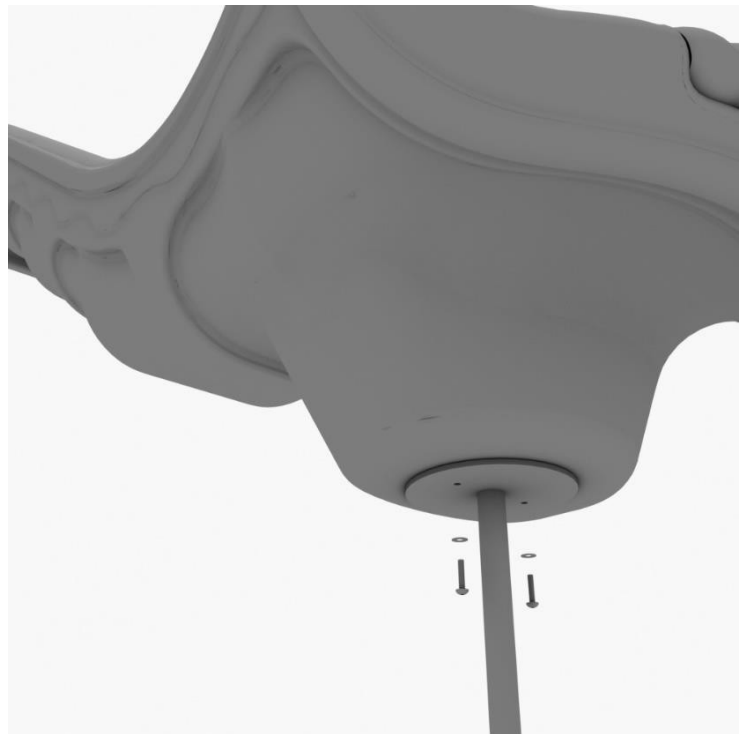
### Step 3

See general installation guide footing information regarding installation of the middle supports, and slide end mount. Insert the middle support into the designated slot under the slide, and tighten the set screws using the provided allen wrench. Repeat this process for the other slide support post.



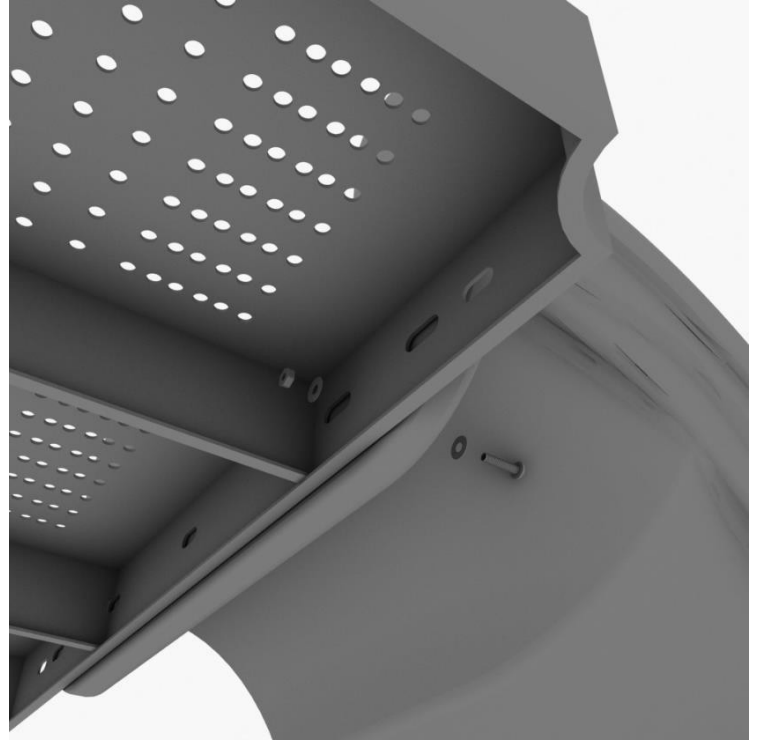
### Step 4

Using two (2) M8\*20, two (M8) spring gaskets, and two (2) M8 washers, attach the slide to the slide end mount.



## Step 5

Using one (1) M10\*45 bolt, two (2) M10 washers, and two (2) M10 lock nuts, attach one side of the slide to the deck. Repeat the process for the other side of the slide.



## Step 6

Using one (1) M8\*45 bolt, one (1) M8 washer, one (1) M12 washer, and one (1) M12 Inner hex spiral nut, attach the slide to one side of the slide hood. Repeat this process for the other side of the slide. Make sure all bolts are properly tightened.

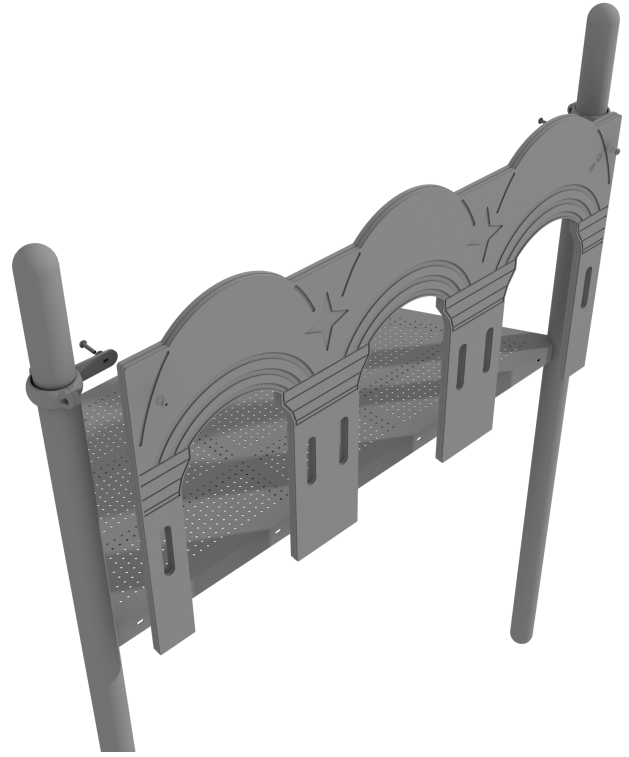




# Triple Slide Hood Install

## STEP: 1

Using on site tools level and  
two (2) . . . . .  
two (2) . . . . . Connect half of  
the flat clamp to the component  
using one (1) M8\*35 bolt, two (2)  
washers and one (1) Lock Nut. Then,  
using the other half of the flat  
clamp and the hardware provided in  
the clamp hardware bag, attach the  
backside of the flat clamp around  
the post.





# 6-Foot Right Turn Slide Installation

## Step 1

Using the hardware pre-attached to the slide, connect the two sections of the slide together.



## Step 2

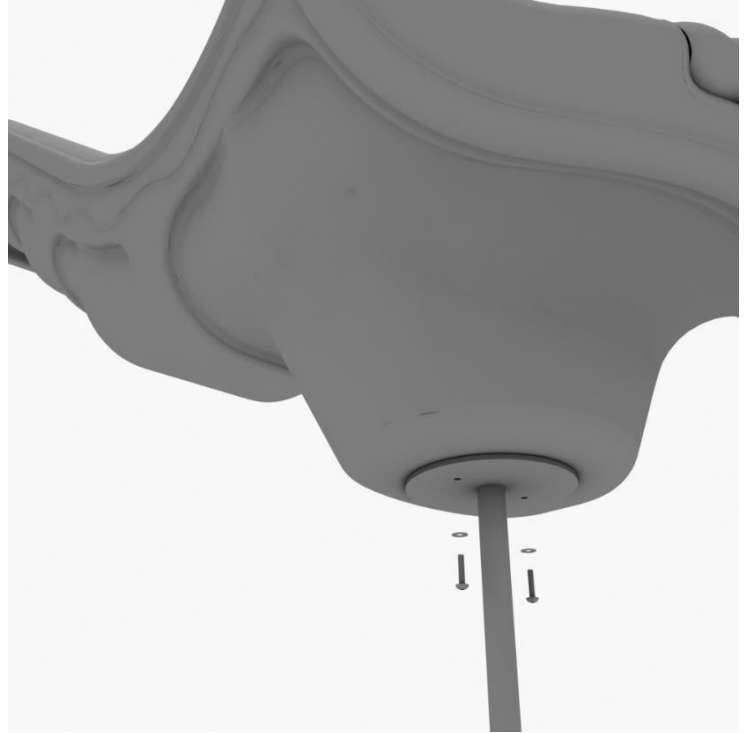
See general installation guide footing information regarding installation of the middle supports, and slide end mount. Insert the middle support into the designated slot under the slide, and tighten the set screws using the provided allen wrench. Repeat this process for the other slide support post.



# 6-Foot Right Turn Slide Installation

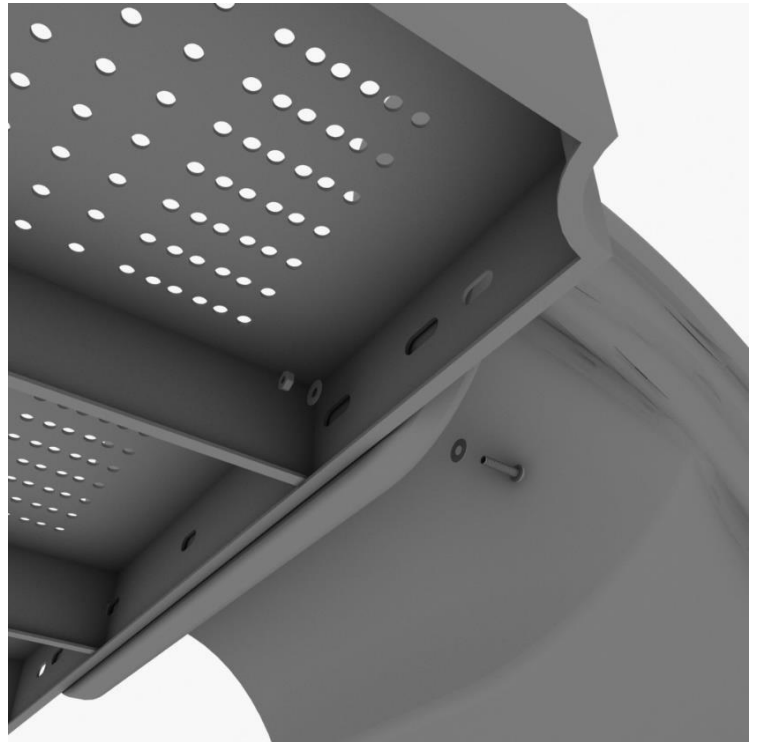
## Step 3

Using two (2) M8\*20, two (M8) spring gaskets, and two (2) M8 washers, attach the slide to the slide end mount.



## Step 4

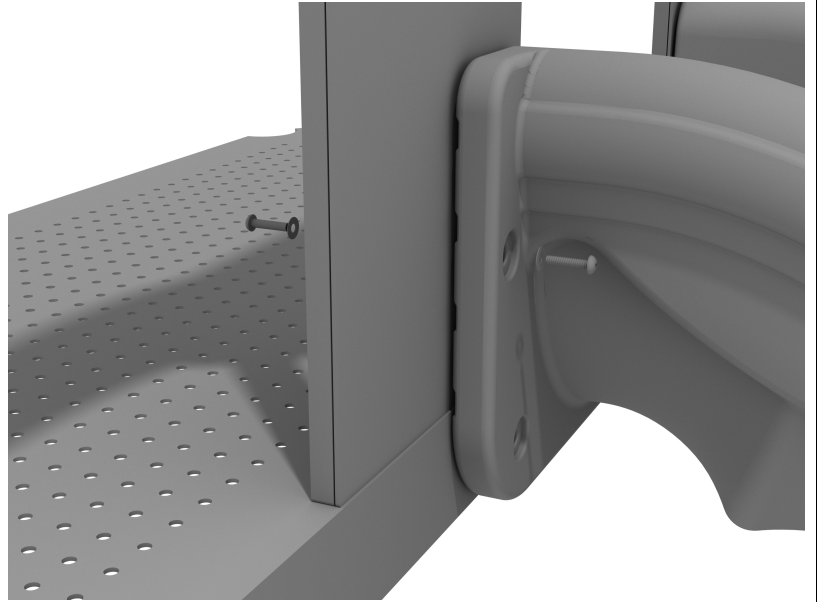
Using one (1) M10\*45 bolt, two (2) M10 washers, and two (2) M10 lock nuts, attach one side of the slide to the deck. Repeat the process for the other side of the slide.



# 6-Foot Right Turn Slide Installation

## Step 5

Using two (2) M8\*45 bolts, two (2) M8 washer, two (2) M12 washers, and one (1) M12 inner hex spiral nut, attach the slide to the slide hood. Repeat this process for the other side of the slide.



# 6-foot Single Straight Slide Installation

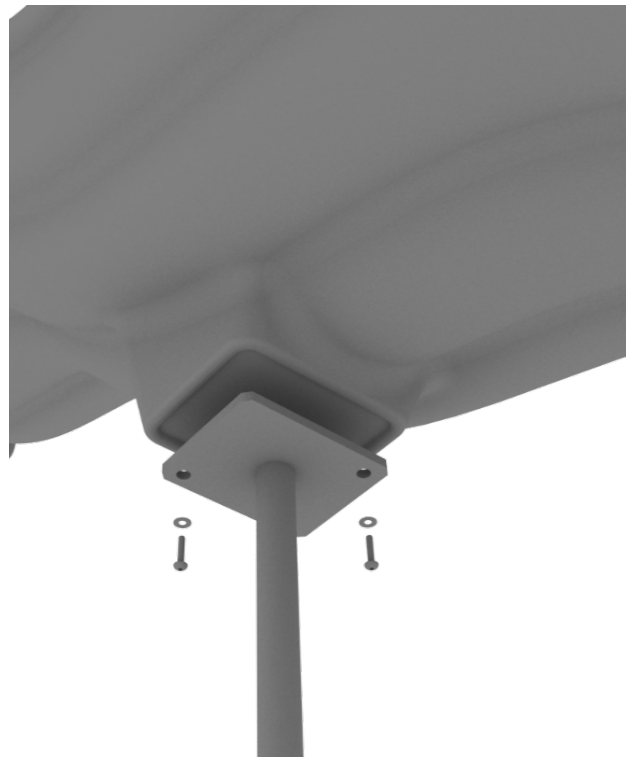
## STEP: 1

See general installation guide regarding footing information for the slide end mount. Using two (2) M8\*20, two (M8) spring washers. And two (2) M8 washers, attach the slide to the slide support post.



## STEP: 2

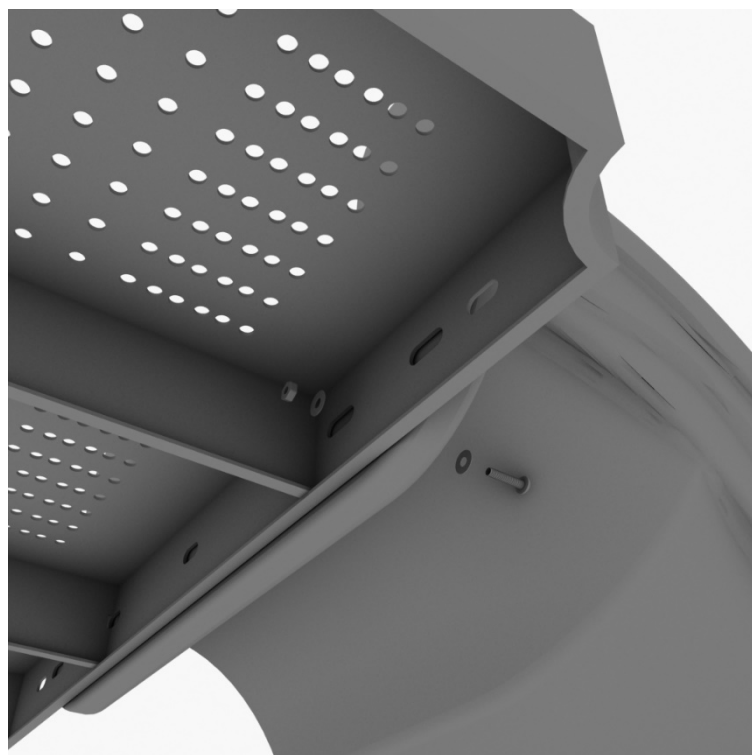
See general installation guide regarding footing information for the middle slide support. Using two (2) M8\*20 bolts, two (2) M8 spring washers, and two (2) M8 washers, attach the middle slide support post. Repeat the process for each middle slide mount.



# 6-foot Single Straight Slide Installation

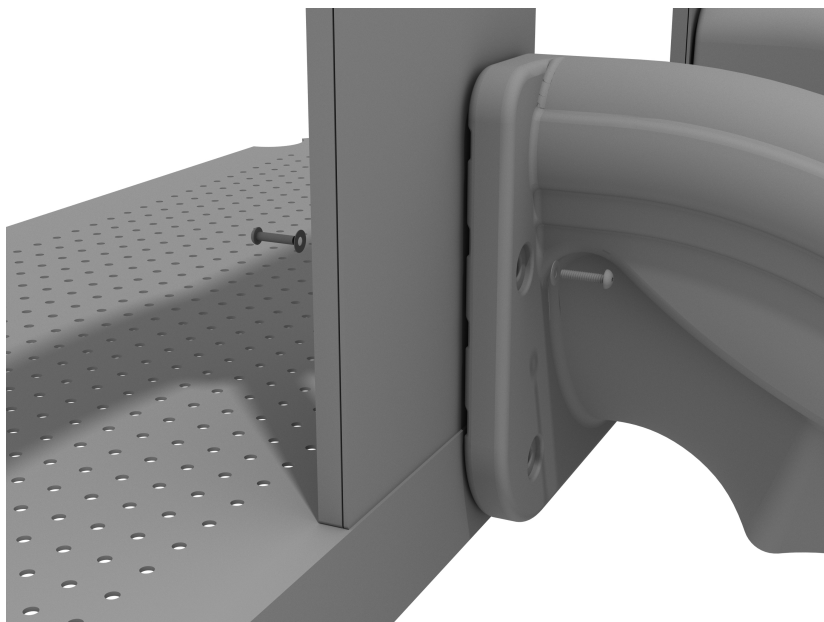
## STEP: 3

To attach a single slide to a deck, use two (2) M10\*45 bolts, four (4) M10 washers, and two (2) M10 lock nuts. Repeat this process for the other side of the slide. Repeat this process for each single slide.



## STEP: 4

Using two (2) M8\*45 bolts, two (2) M8 washer, two (2) M12 washers, and one (1) M12 inner hex spiral nut, attach the slide to the slide hood. Repeat this process for the other side of the slide.



# 6-Foot Left Turn Slide Installation

## Step 1

Using the hardware pre-attached to the slide, connect the two sections of the slide together.



## Step 2

See general installation guide footing information regarding installation of the middle supports, and slide end mount. Insert the middle support into the designated slot under the slide, and tighten the set screws using the provided allen wrench. Repeat this process for the other slide support post.



# 6-Foot Left Turn Slide Installation

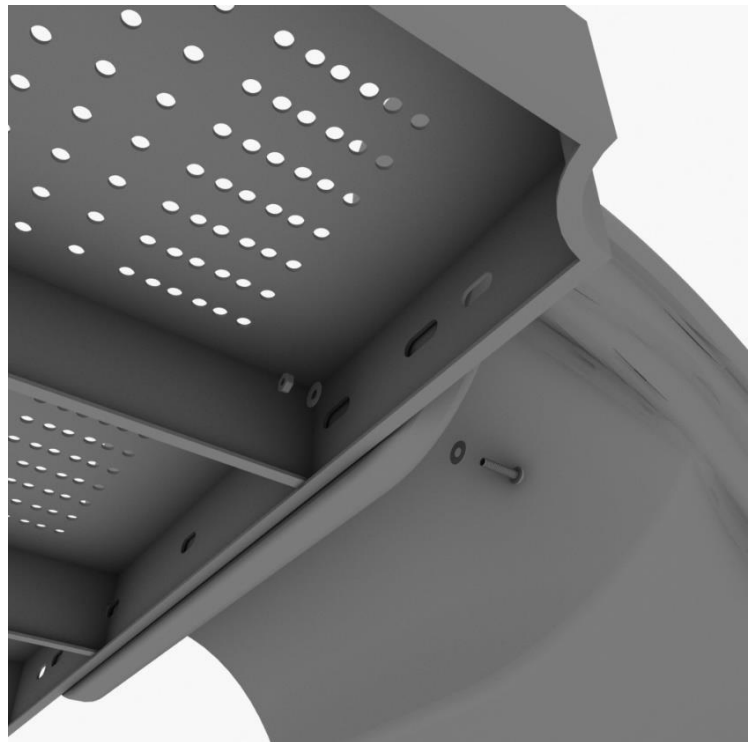
## Step 3

Using two (2) M8\*20, two (M8) spring gaskets, and two (2) M8 washers, attach the slide to the slide end mount.



## Step 4

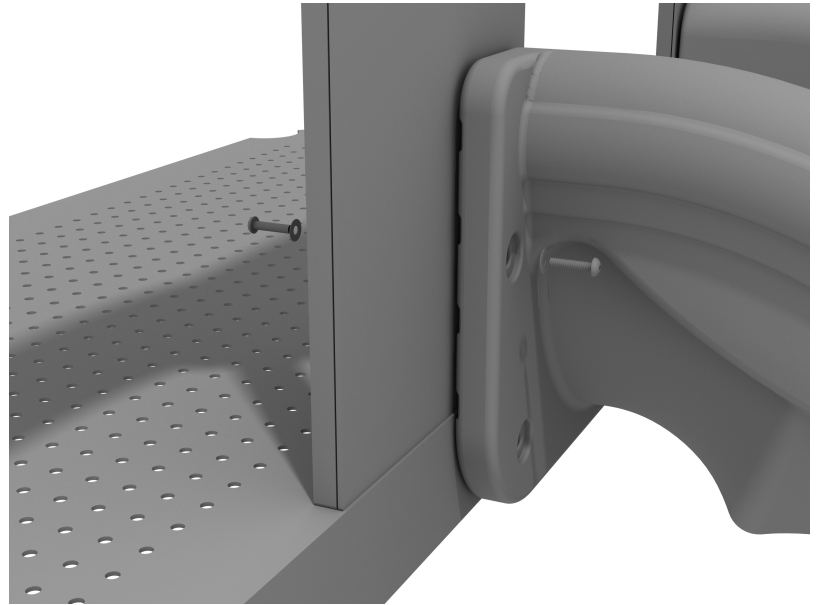
Using one (1) M10\*45 bolt, two (2) M10 washers, and two (2) M10 lock nuts, attach one side of the slide to the deck. Repeat the process for the other side of the slide.



# 6-Foot Left Turn Slide Installation

## Step 5

Using one (1) M8\*45 bolt, one (1) M8 washer, one (1) M12 washer, and one (1) M12 Inner hex spiral nut, attach the slide to one side of the slide hood. Repeat this process for the other side of the slide. Make sure all bolts are properly tightened.

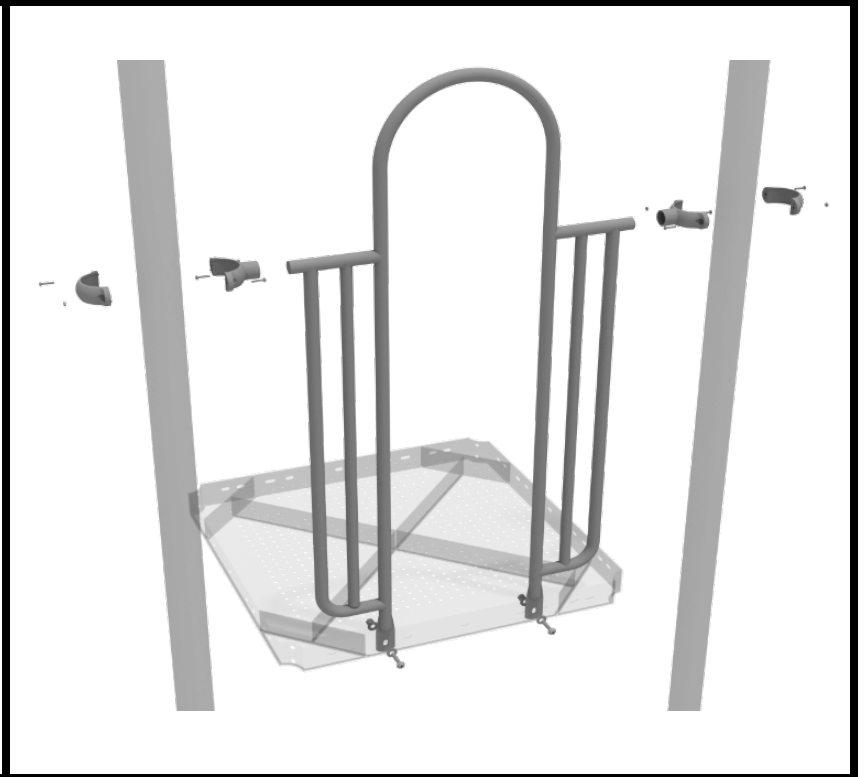




## 3.5-inch 2-Clamp Arch Rail Installation

### STEP: 1

Attach the Arch Rail to the designated posts by connect half of the tube clamp to the arch rail using one (1) M8\*30 bolt. Repeat this process for each post attachment point. Then, attach the rail to the deck using two (2) M10\*25 bolts, four (4) M10 washers, and two (2) M10 lock nuts. Finally, attach the second half of the clamp around the post.

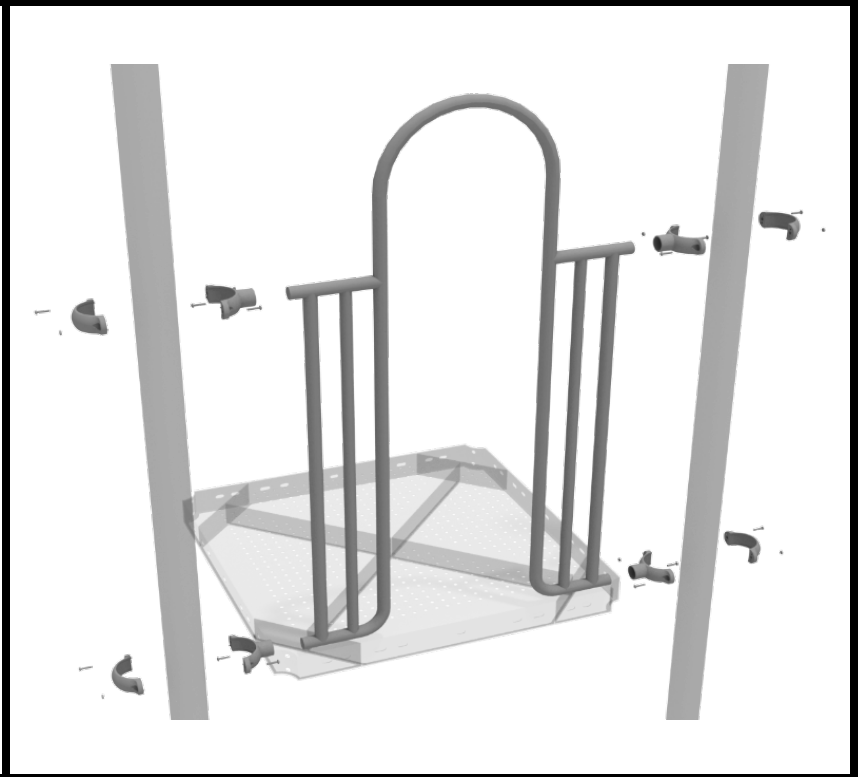


## 3.5-inch 4-Clamp Arch Rail Installation

### STEP: 1

Attach the Arch Rail to the designated posts by connect half of the tube clamp to the arch rail using one (1) M8\*30 bolt. Repeat this process for each attachment point.

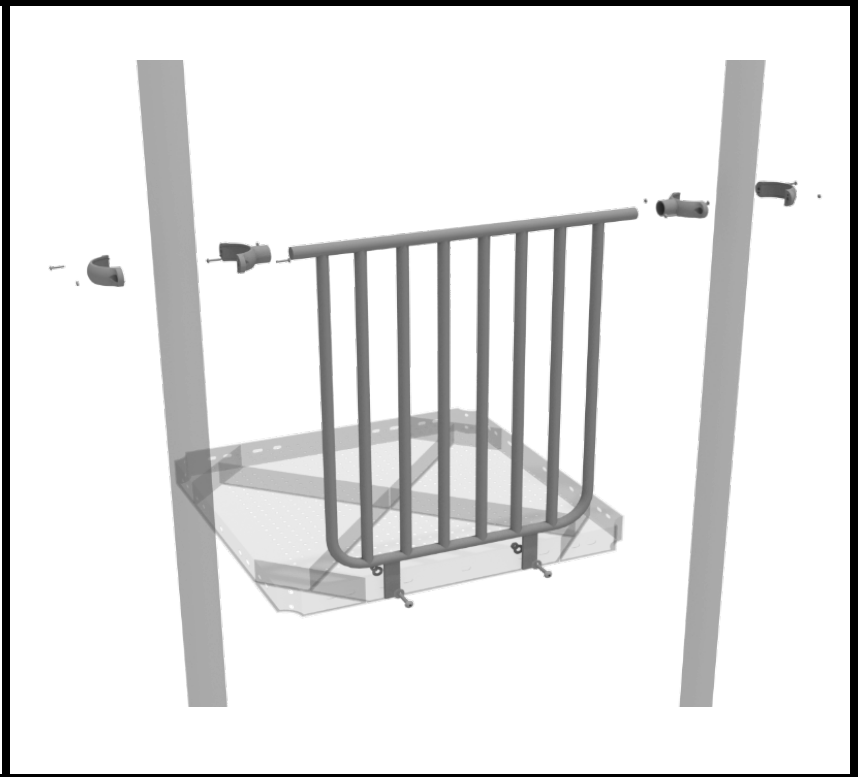
Set the arch rail into place, then attach the second half of the clamp around the post. The gap between the deck and the bottom of the rail should be no more than 3 inches.



## 3.5-inch Metal Barrier Installation

### STEP: 1

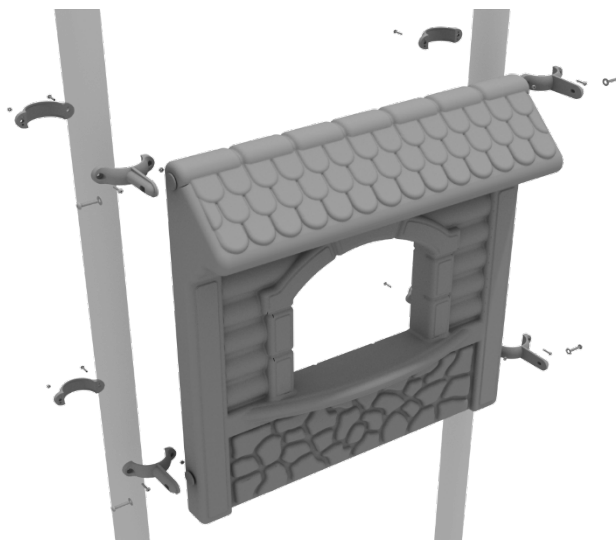
Attach the metal barrier to the designated posts using two (2) tube clamps two (2) M8\*30 bolts. Then, attach the bottom of the metal barrier to the deck using two (2) M10\*25 bolts, four (4) M10 washers, and two (2) M10 lock nuts.



## 3.5-inch Store Panel Installation

### STEP: 1

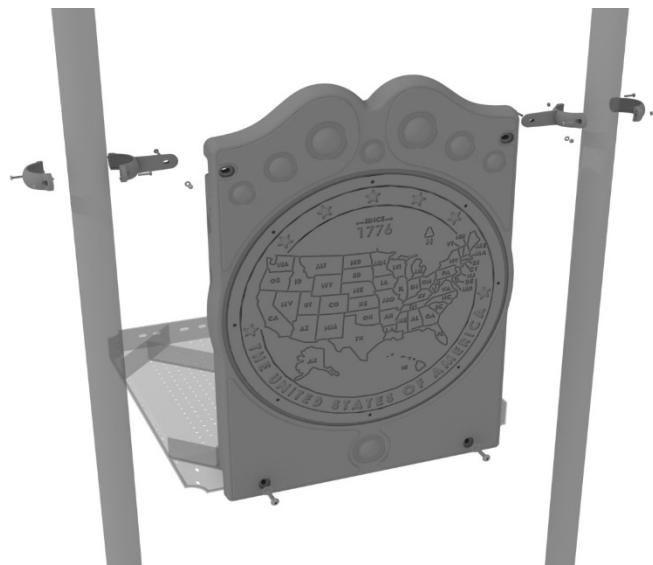
Attach the Store Panel to the designated posts using four (4) 3.5-inch flat clamps, and four (4) M8\*25 bolts.



# 3.5-inch US Map Panel Installation

## STEP: 1

Connect the bottom of the panel to the deck using two (2) M10\*50 bolts, four (4) M10 washers, and two (2) M10 lock nuts. Then attach the top of the panel to the posts using two (2) flat clamps.



Install four (4) Flat Clamps to the panel following the Clamp Installation Guide.

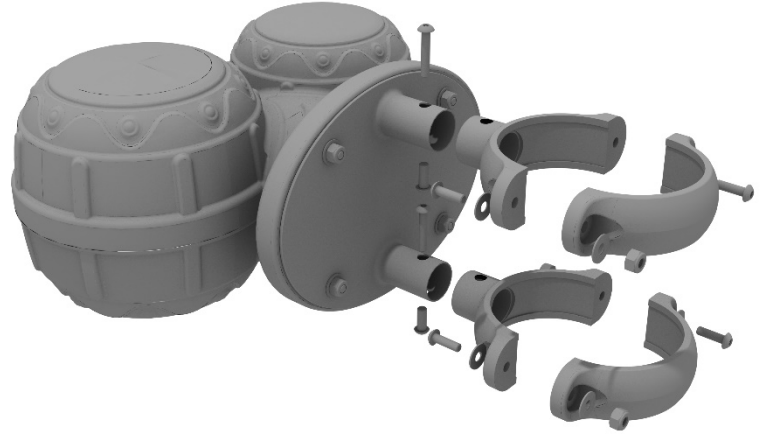
Attach two (2) Single Hole Mounts to the underside of the Bench Panel using the (x2) M10 Bolts and (x2) M10 Washers.



# Bongos Installation

## STEP: 1

Detach half of the tube clamps connected to the Bongos, and re-attach the clamp around the desired support post. Recommended install height is 20 to 36 inches above surfacing depending on age range.

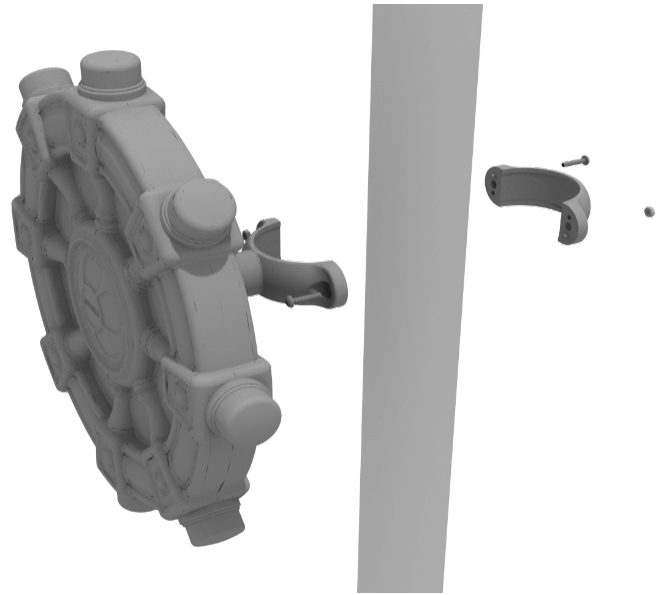


# Ships Wheel Installation

Detach half of the tube clamp connected to the Ships Wheel, and re-attach the clamp around the support post, as shown in the picture. Recommended install height is 20 to 36 inches above surfacing depending on age range.

*We recommend using Thread-locking fluid on bolts connecting Ship's wheel to clamp to prevent hardware from loosening over time.*

(Thread-locker not supplied)





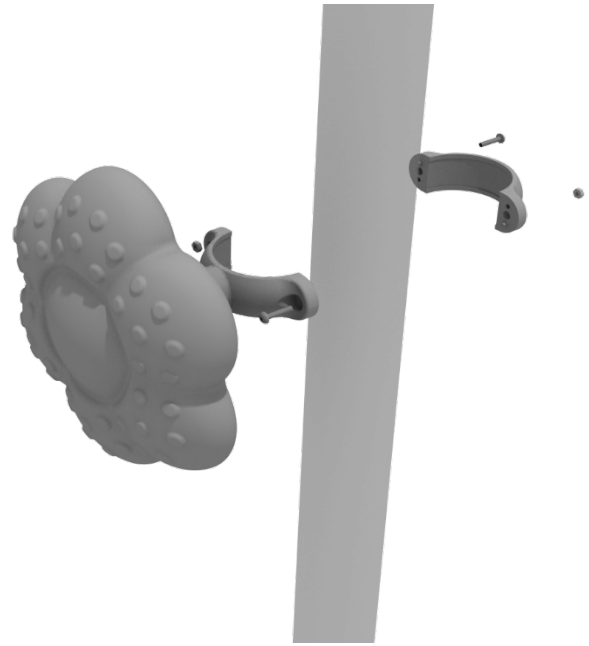
# Rain Wheel Installation

Detach half of the tube clamp connected to the Rain Wheel, and re-attach the clamp around the support post, as shown in the picture.

Recommended install height is 20 to 36 inches above surfacing depending on age range.

*We recommend using Thread-locking fluid on bolts connecting Rain wheel to clamp to prevent hardware from loosening over time.*

(Thread-locker not supplied)



# Line Roof Installation

## STEP: 1

Set the line roof on top of the posts. Take four (4) self-tapping screws and drill them through the notch at each corner of the roof, into the support posts.

