

STEP: 1

**DO NOT CEMENT POSTS INTO PLACE
UNTIL THE ENTIRE STRUCTURE IS
ASSEMBLED.**

Refer to the General Installation
guide footing information and dig
proper holes for the support posts.



Square Deck Installation

STEP: 1

After the posts are in place, using four (4) M10*35 Bolts, eight (8) M10 Washers, and four (4) M10 Lock Nuts, attach each square deck to each pre-attached deck clamp as shown in the image.

Deck clamps are pre-attached to the posts and should not be altered in any way.



Rectangle Deck Installation

STEP: 1

After the posts are in place, using four (4) M10*35 bolts, eight (8) M10 washers, and four (4) M10 lock nuts, attach the rectangle deck to each pre-attached deck clamp as shown in the image.

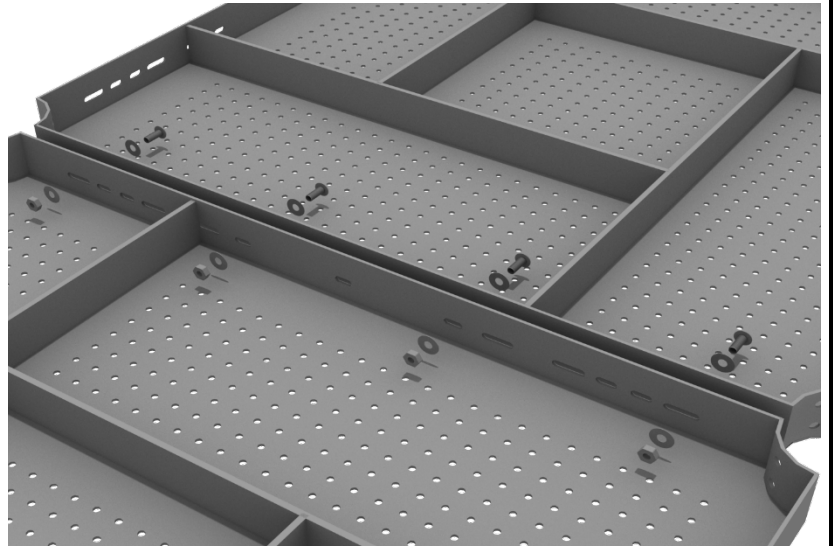
Deck clamps are pre-attached to the posts and should not be altered in any way.



Square Deck Connect to Square Deck

STEP: 1

When installing decks that are adjacent to one another at the same height, they should be bolted together. On the underside of the deck, install using four (4) M10*25 Bolts, eight (8) M10 Washers, and four (4) M10 Lock Nuts. Repeat this process for every set of adjacent decks.



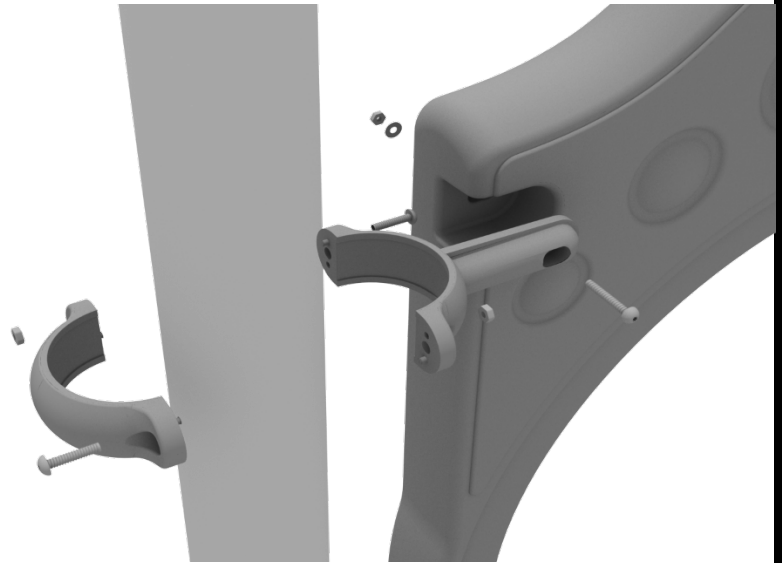
3.5-inch Clamp Installation Examples

The following three pages will include examples of how to install some of the most common types of Clamps that are present on our structures that use 3.5-inch outside diameter posts. The structure that you are assembling might not require all the types of clamps listed in these examples.

The Install Guides for specific components that come later in this document might call for a specific type of clamp (a tube clamp for example), those sections will not include detailed instructions for the clamps and should direct you back to this section for more detailed information.

3.5-inch Flat Clamp Install Example

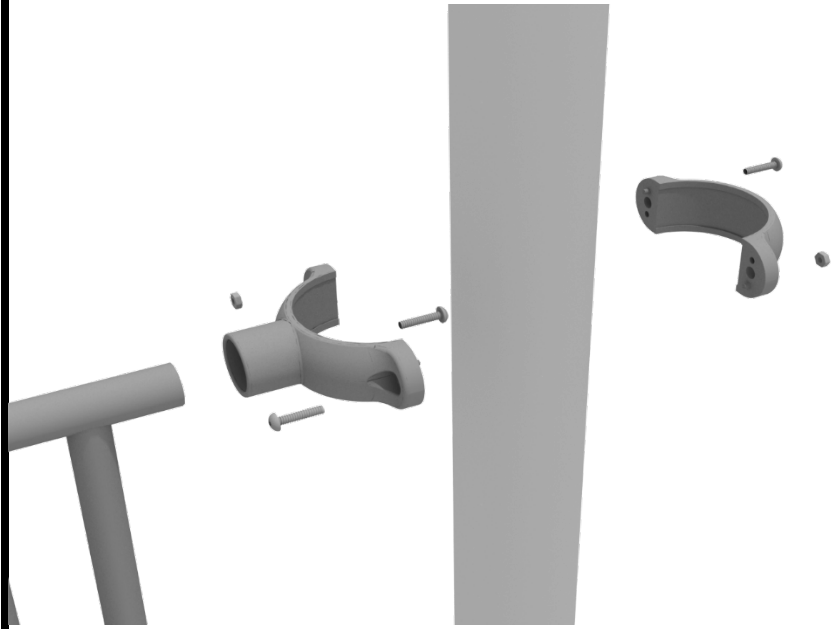
Connect half of the flat clamp to the component using one (1) M8*40 bolt. Then, using the other half of the flat clamp and the hardware provided in the clamp hardware bag, attach the backside of the flat clamp around the post.



3.5-inch Clamp Installation Examples

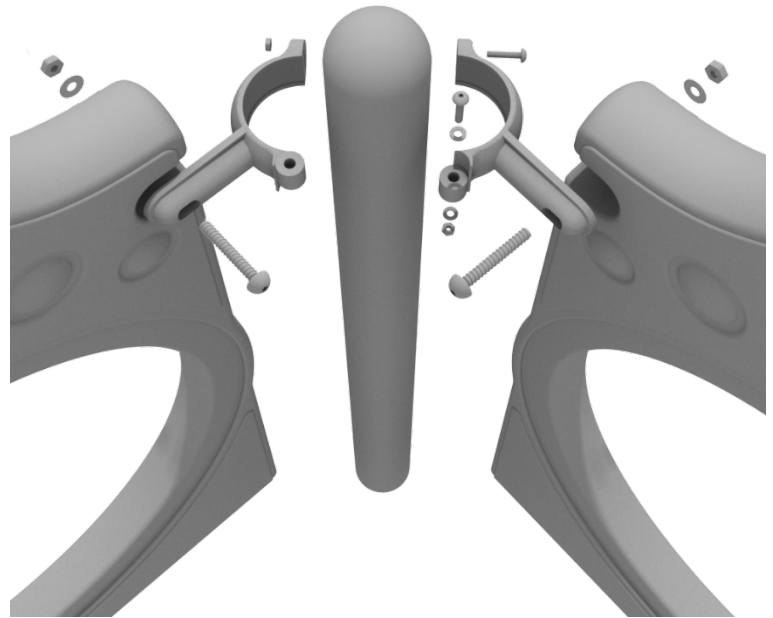
3.5-inch Tube Clamp Install Example

Connect half of the clamp to the component using one (1) M8*30 bolt. Then, using the other half of the tube clamp and the hardware provided in the clamp hardware bag, attach the backside of the tube clamp around the post.



3.5-inch 90-Degree Flat Clamp Install Example

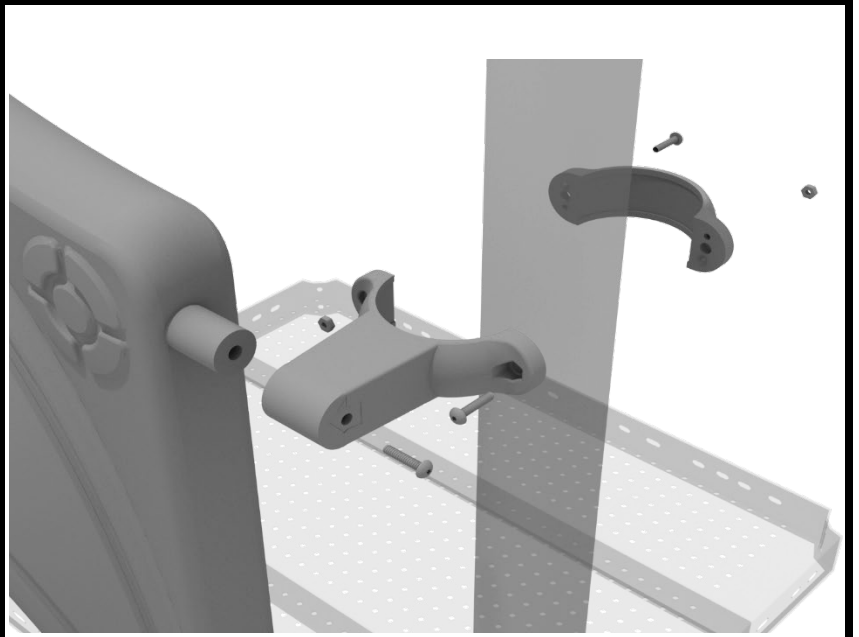
Connect half of the flat clamp to one panel using one (1) M8*40 bolt. Then, using the other half of the flat clamp and the hardware provided in the clamp hardware bag, attach the other half of the tube clamp around the post. Then, attach the next panel to the other side of the clamp using the same process.



3.5-inch Clamp Installation Examples

3.5-inch Double Slide Clamp Install Example

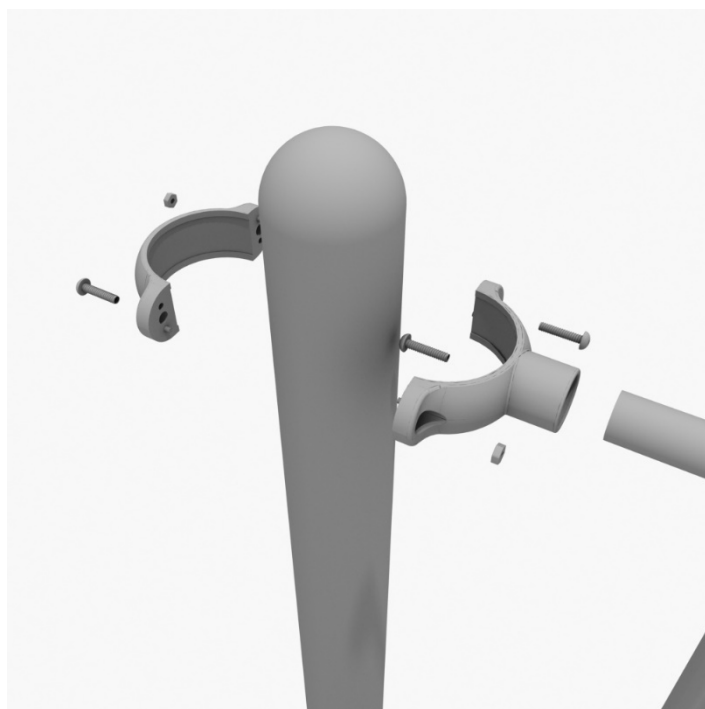
Connect half of the double slide clamp to the double slide hood using one (1) M8*30 bolt. Then, using the other half of the clamp and the hardware provided in the clamp hardware bag, attach the backside of the double slide clamp around the post.



36" Transfer Station (for 3.5" post) Install

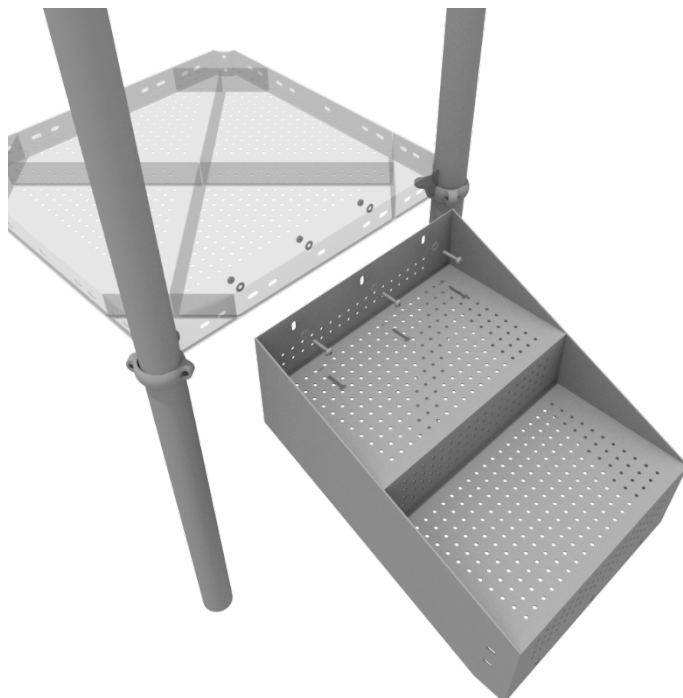
STEP: 1

Connect half of the 3.5-inch tube clamp to the handrail using one (1) M8*30 bolt. Set the handrail into place, then attach the second half of the clamp using the hardware provided in the clamp bag. Repeat this process for the other handrail.



STEP: 2

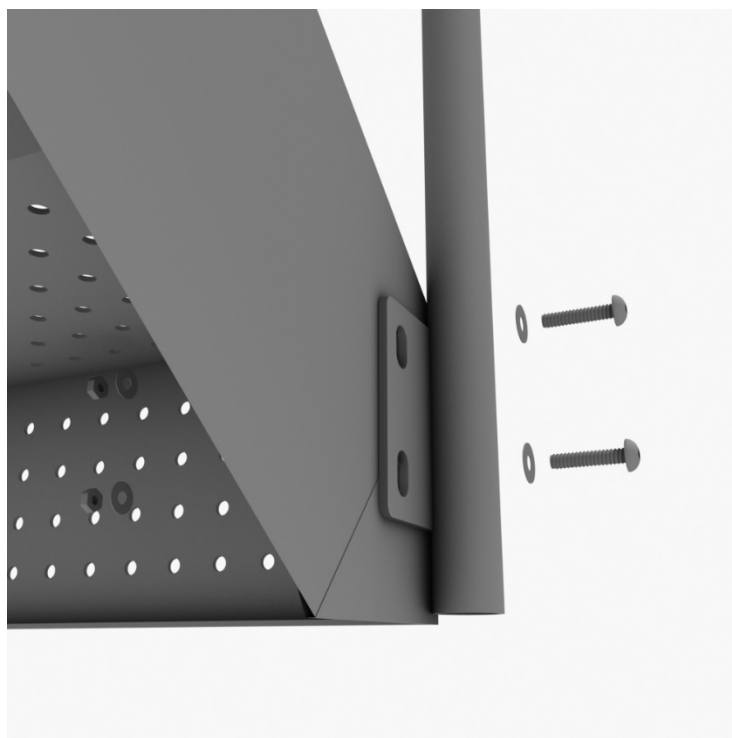
Using three (3) M10*25 bolts, six (6) M10 washers, and three (3) M10 lock nuts, attach the top of the stairs to the square deck.



36" Transfer Station (for 3.5" post) Install

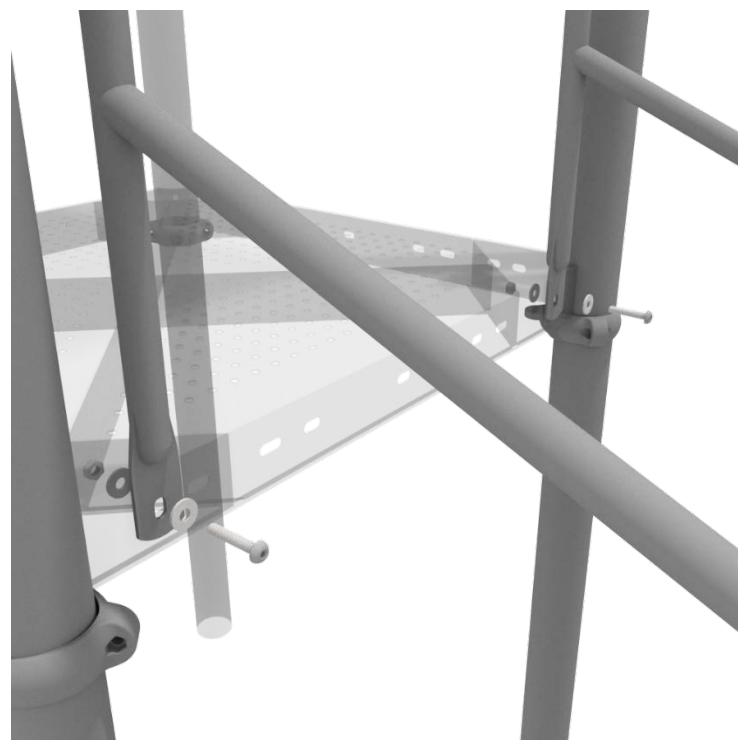
STEP: 3

Using four (4) M10*25 bolts, eight (8) M10 washers, and four (4) M10 lock nuts, connect the bottom of the handrails to the bottom of the 3-foot transfer stair.



STEP: 4

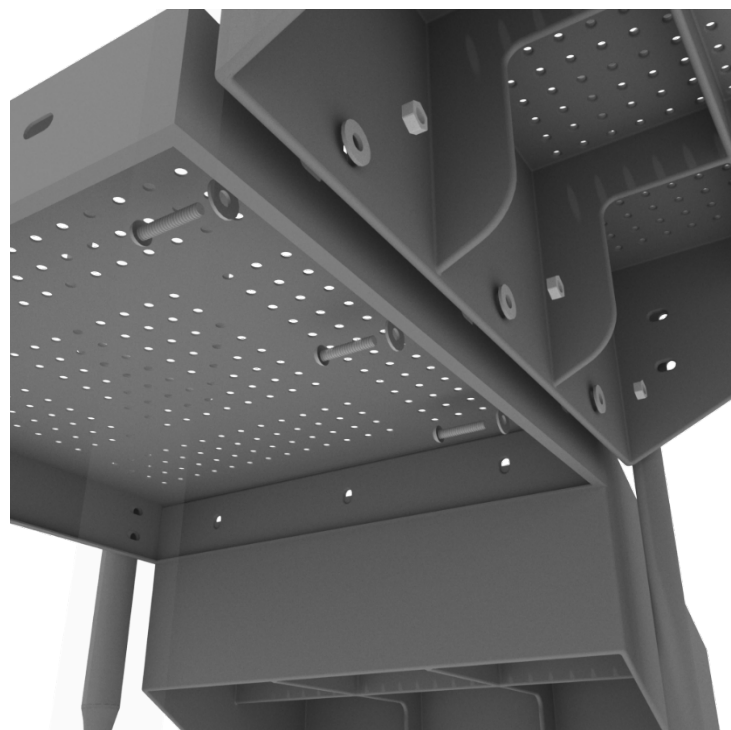
Using two (2) M10*25 bolts, four (4) M10 washers, two (2) lock nuts, attach the handrail to the square deck.



36" Transfer Station (for 3.5" post) Install

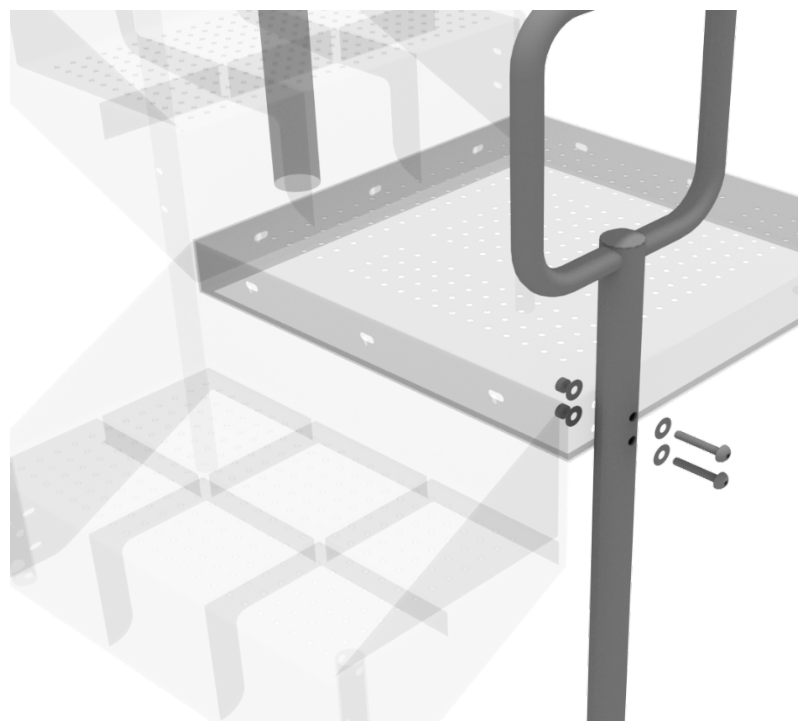
STEP: 5

Using three (3) M10*25 bolts, six (6) M10 washers, and three (3) M10 lock nuts, attach the ADA transfer deck to the base of the 3-foot ADA transfer stair.



STEP: 6

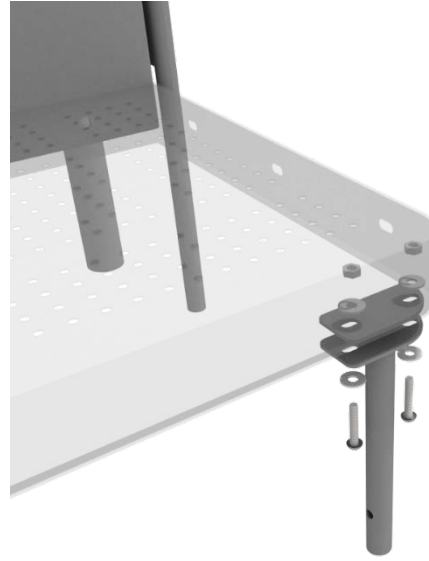
See general installation guide regarding footing information for the transfer deck handrail & mount. Using two (2) M10*65 bolts, four (4) M10 washers, and two (2) M10 lock nuts, attach the transfer handrail to the ADA transfer deck.



36" Transfer Station (for 3.5" post) Install

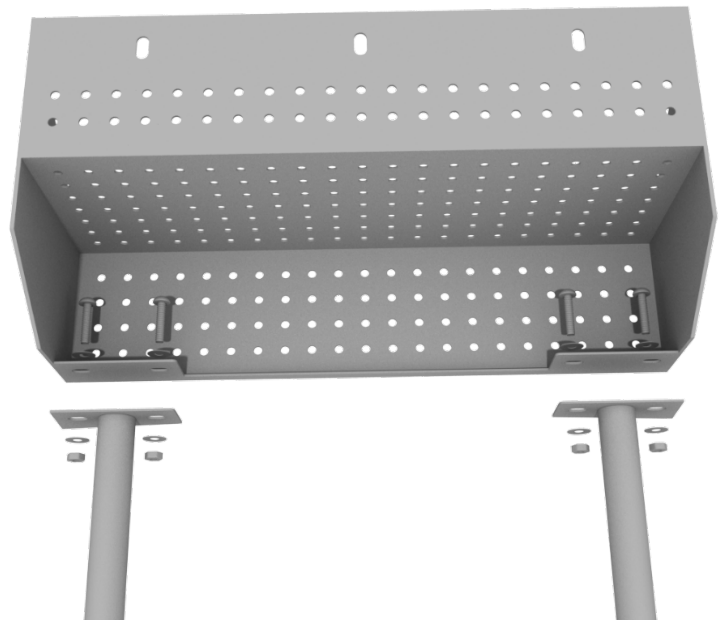
STEP: 7

Using two (2) M10*25 bolts, four (4) M10 washers, and two (2) lock nuts, attach the transfer deck mount to the ADA transfer deck.



STEP: 8

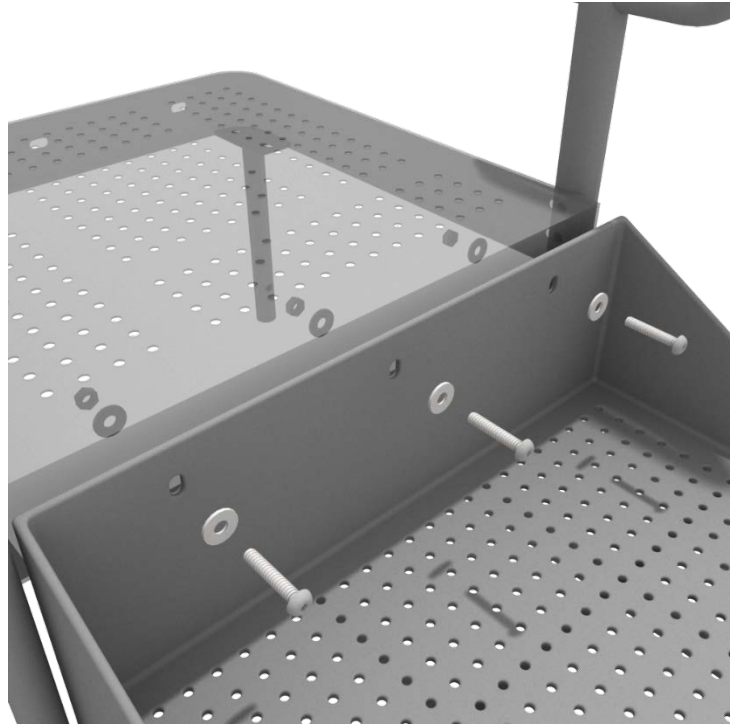
See general installation guide regarding footing information for the ADA transfer step mount. Using two (2) M10 bolts, four (4) M10 washers, and two (2) M10 lock nuts, attach the transfer step to each ADA transfer step mount.



36" Transfer Station (for 3.5" post) Install

STEP: 9

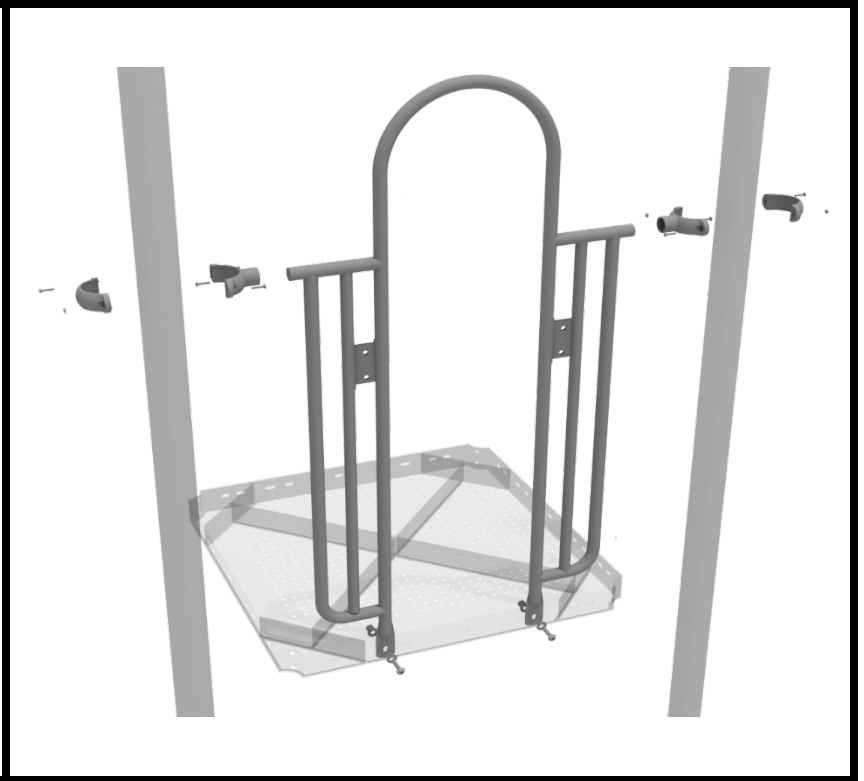
Using three (3) M10*25 bolts, six (6) M10 washers, and three (3) M10 washers, attach the top of the ADA transfer step to the ADA transfer deck.



3.5-inch Pebble Climber with Rail Installation

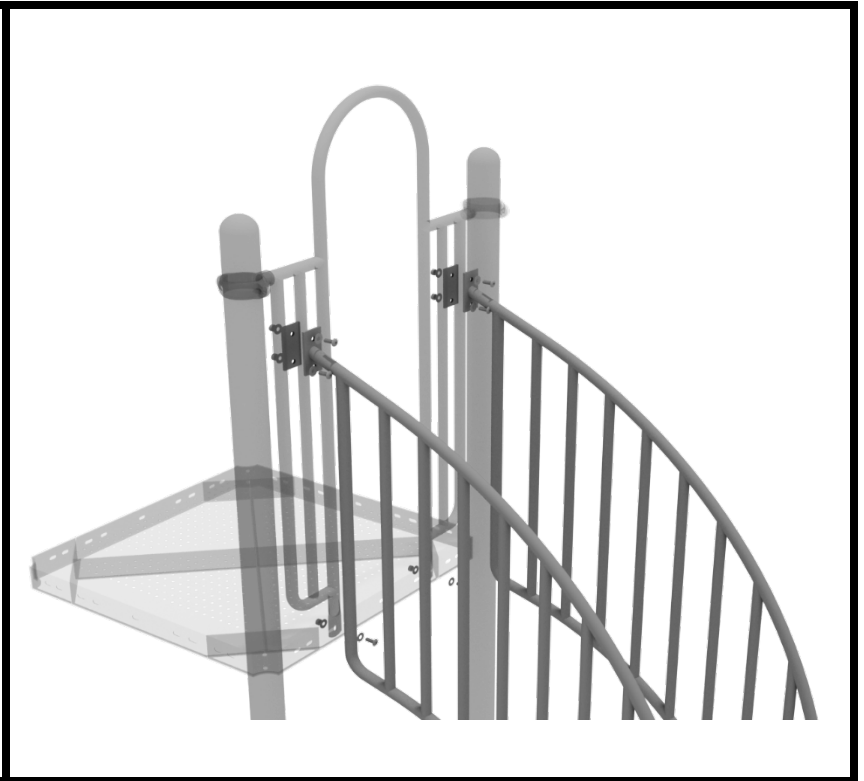
STEP: 1

Attach the Arch Rail to the designated posts by connect half of the tube clamp to the arch rail using one (1) M8*30 bolt. Repeat this process for each post attachment point. Then, attach the rail to the deck using two (2) M10*25 bolts, four (4) M10 washers, and two (2) M10 lock nuts. Finally, attach the second half of the clamp around the post.



STEP: 1

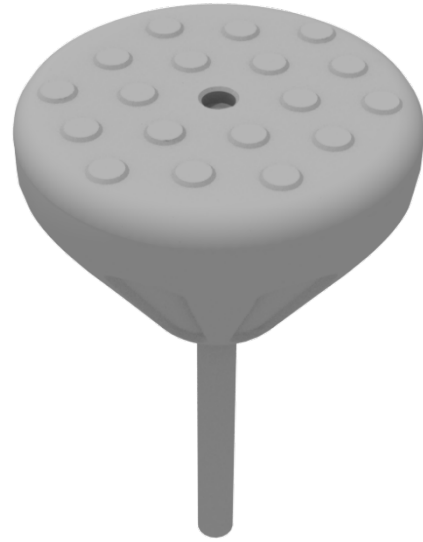
Attach the Pebble Climber Handrails to the mounting plates on the Arch Rail using four (4) M10*25 bolts, eight (8) M10 washers, and four (4) M10 lock nuts. The bottom end of the Pebble Climber Handrails will be put in an inground footing. See General Install Guide for more info about climber footings.



Pebble Climber Installation

STEP: 1

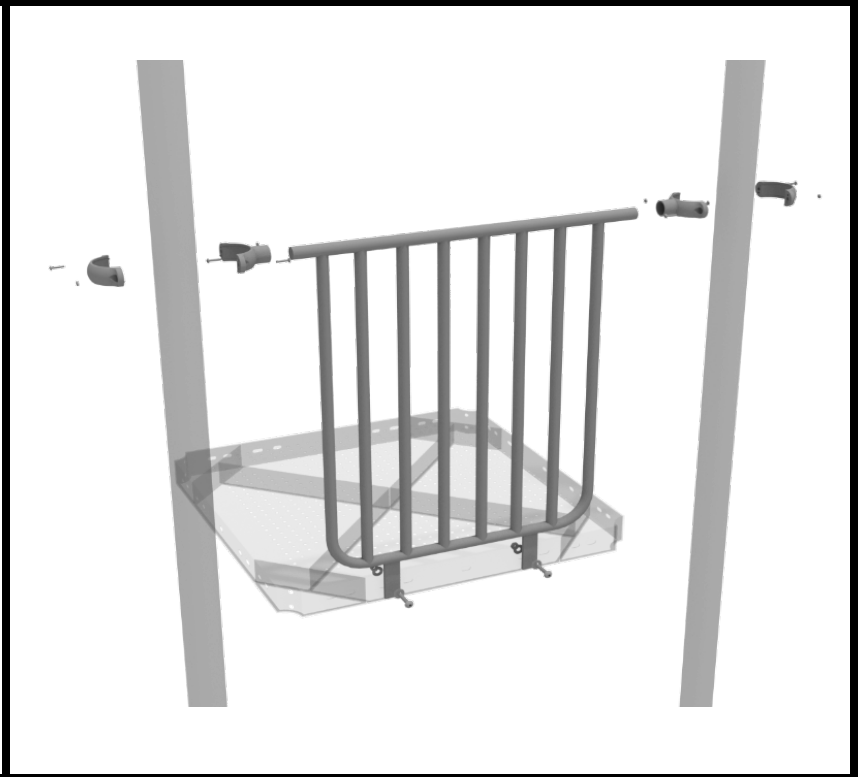
See general installation guide regarding footing information. Pebble climber requires a 12" x 18" footing.



3.5-inch Metal Barrier Installation

STEP: 1

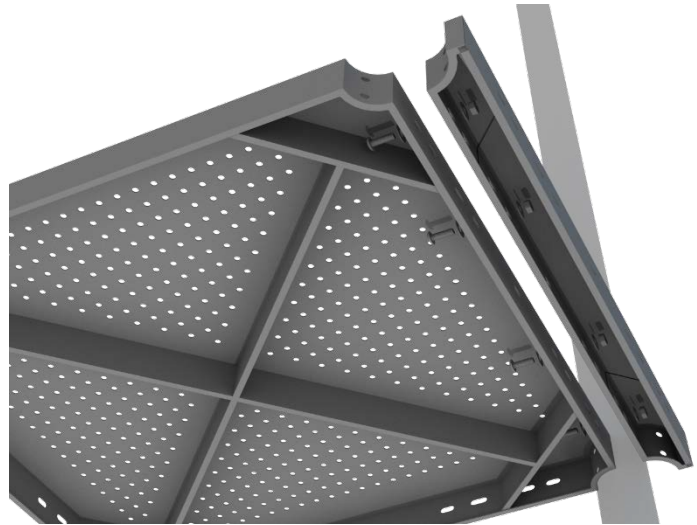
Attach the metal barrier to the designated posts using two (2) tube clamps two (2) M8*30 bolts. Then, attach the bottom of the metal barrier to the deck using two (2) M10*25 bolts, four (4) M10 washers, and two (2) M10 lock nuts.



3-foot Double Straight Slide Installation

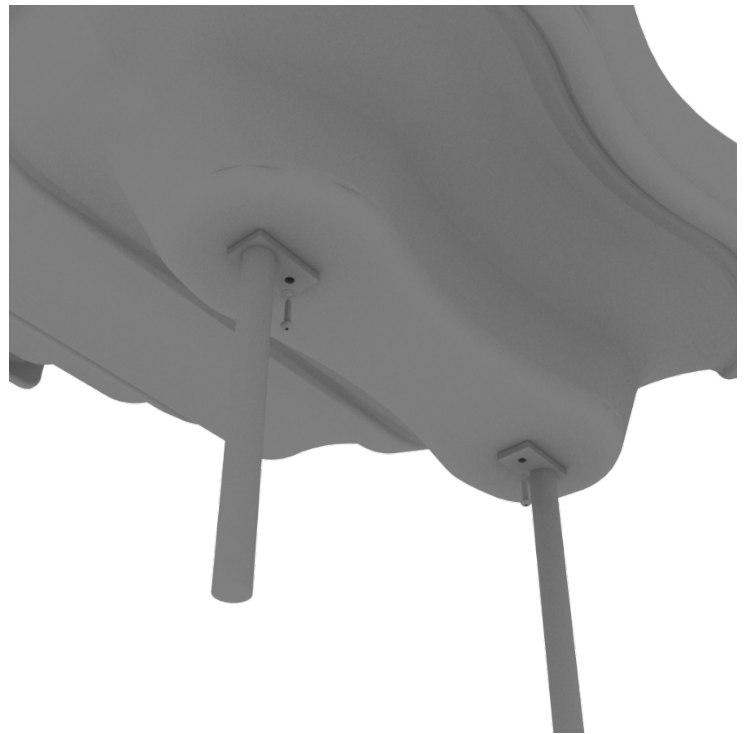
STEP: 1

For the double slide, you will first need to attach the double slide deck extension. This will require four (4) M10*25 bolts, eight (8) M10 washers, and four (4) M10 lock nuts.



STEP: 2

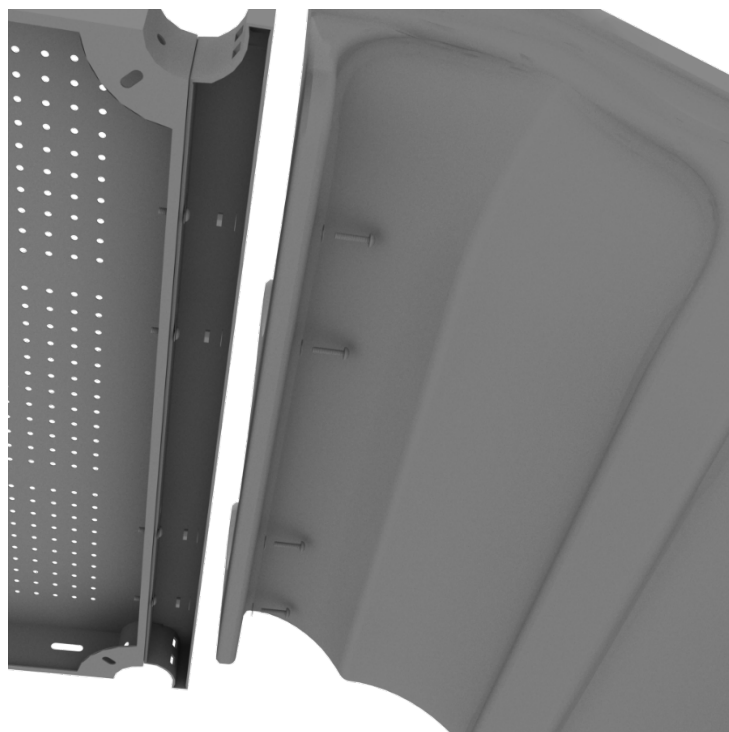
Then, See general installation guide regarding footing information for the double slide end mounts. Using two (2) M8*20 bolts, two (2) M8 spring gaskets, and two (2) M8 washers, attach the slide end mounts to the double slide.



3-foot Double Straight Slide Installation

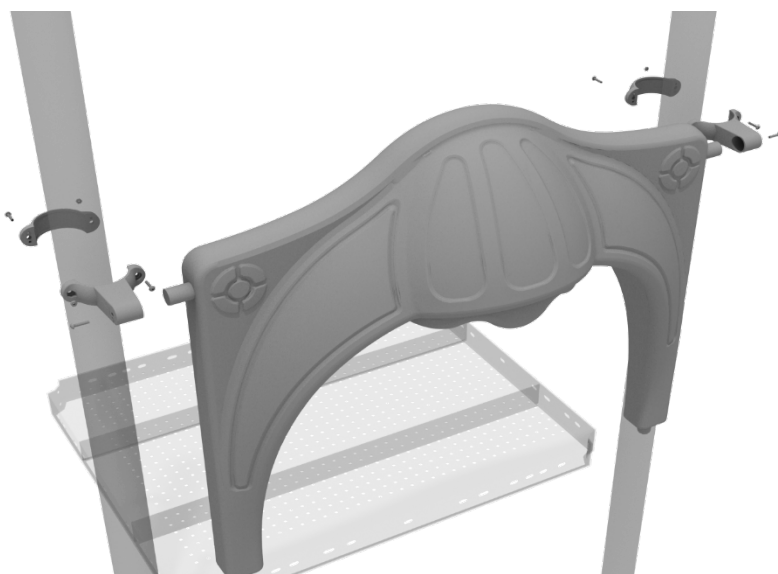
STEP: 3

Then, attach the slide to the deck extension using four (4) M10*45 bolts, eight (8) M10 washers, and four (4) M10 lock nuts.



STEP: 4

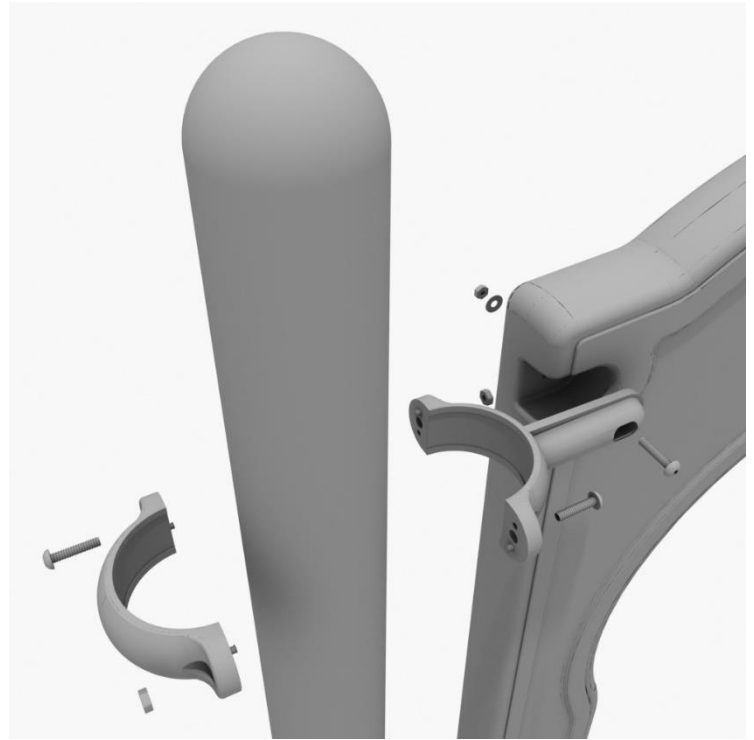
Once the slide is attached, take the double slide hood and insert it into the top of the slide, and then attach the top using two (2) double slide clamps, and two (2) M8*30 bolts.



3-foot Left Turn Slide Installation

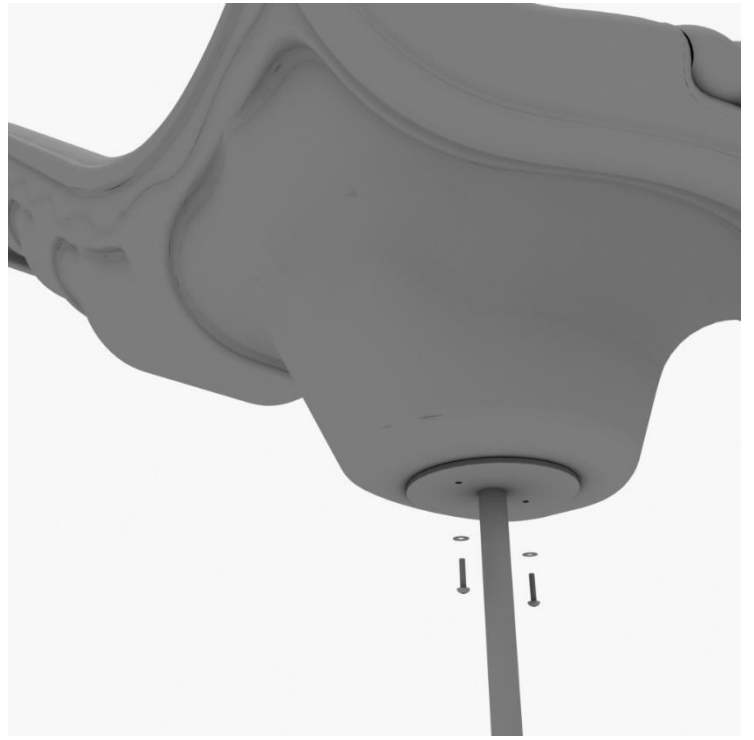
STEP: 1

Take one (1) 3.5-inch flat clamp, and loosely attach it around a post using the bolts and nuts provided in the clamp hardware bag. Repeat this process on the other post. Then, use one (1) M8*40 bolt, one (1) M8 washer, and one (1) M8 lock nut to attach each side of the slide hood to each clamp. Leave bolts loose until slide is in place.



STEP: 2

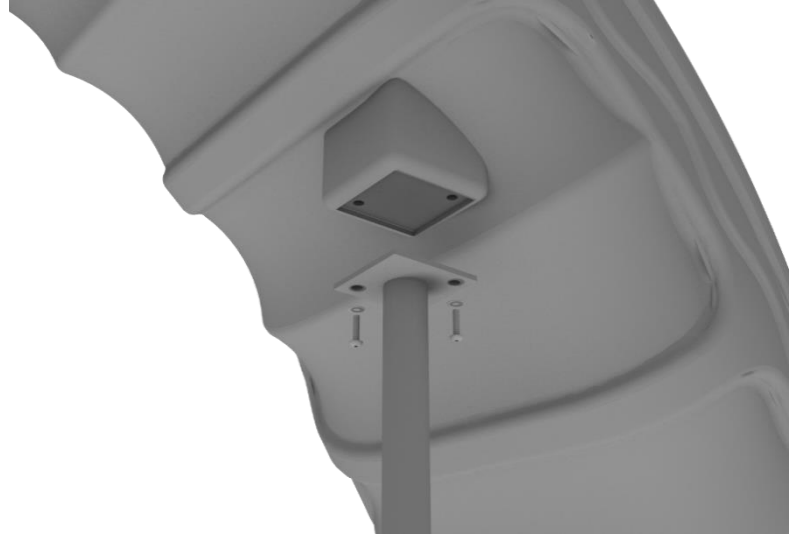
See general installation guide regarding footing information for the slide end mount. Using two (2) M8*20, two (M8) spring washers. And two (2) M8 washers, attach the slide to the slide support post.



3-foot Left Turn Slide Installation

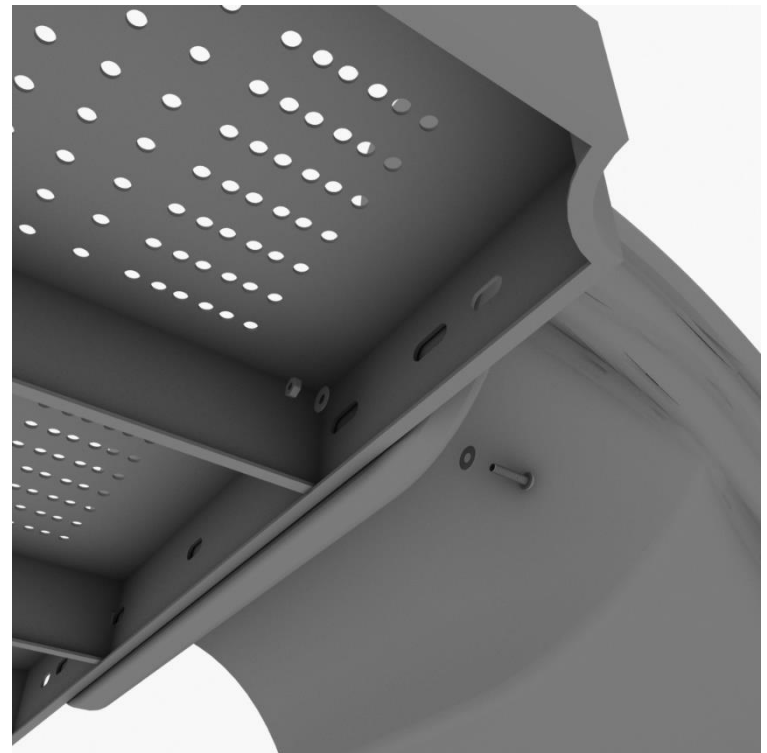
STEP: 3

See general installation guide regarding footing information for the middle slide support. Using two (2) M8*20 bolts, two (2) M8 spring washers, and two (2) M8 washers, attach the middle slide support post.



STEP: 4

Using one (1) M10*45 bolt, two (2) M10 washers, and two (2) M10 lock nuts, attach one side of the slide to the deck.



3-foot Left Turn Slide Installation

STEP: 5

Using one (1) M8*45 bolt, one (1) M8 washer, one (1) M12 washer, and one (1) M12 inner hex spiral nut, attach the slide to one side of the slide hood. Repeat this process for the other side of the slide.



Bear Face Panel Install

STEP: 1

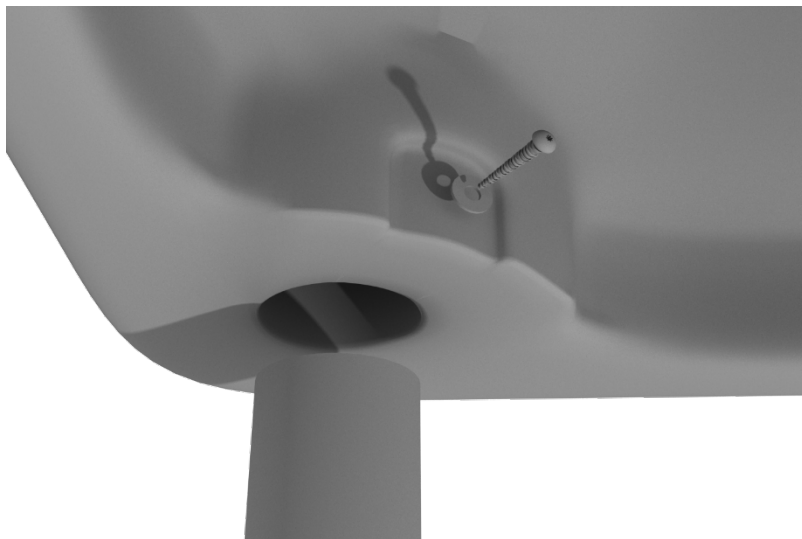
Connect panel to designated post using two (2) tube clamps using one (1) M8*30 bolt for each connection point. Attach panel to deck using two (2) M10*50 bolts, four (4) M10 washers and two (2) M10 lock nuts.



Line Roof Installation

STEP: 1

Set the line roof on top of the posts. Take four (4) self-tapping screws and drill them through the notch at each corner of the roof, into the support posts.



4.5-inch Store Panel Installation

STEP: 1

Connect the store panel to the designated post using four (4) 3.5-inch tube clamps.

