

## STEP: 1

**DO NOT CEMENT POSTS INTO PLACE  
UNTIL THE ENTIRE STRUCTURE IS  
ASSEMBLED.**

Refer to the General Installation  
guide footing information and dig  
proper holes for the support posts.



# Square Deck Installation

## STEP: 1

After the posts are in place, using four (4) M10\*35 Bolts, eight (8) M10 Washers, and four (4) M10 Lock Nuts, attach each square deck to each pre-attached deck clamp as shown in the image.

Deck clamps are pre-attached to the posts and should not be altered in any way.



# Rectangle Deck Installation

## STEP: 1

After the posts are in place, using four (4) M10\*35 bolts, eight (8) M10 washers, and four (4) M10 lock nuts, attach the rectangle deck to each pre-attached deck clamp as shown in the image.

Deck clamps are pre-attached to the posts and should not be altered in any way.



# Half Hex Deck Installation

## STEP: 1

After the posts are in place, using five (5) M10\*35 bolts, ten (10) M10 washers, and five (5) M10 lock nuts, attach the deck to each pre-attached deck clamp as shown in the image.

Deck clamps are pre-attached to the posts and should not be altered in any way.

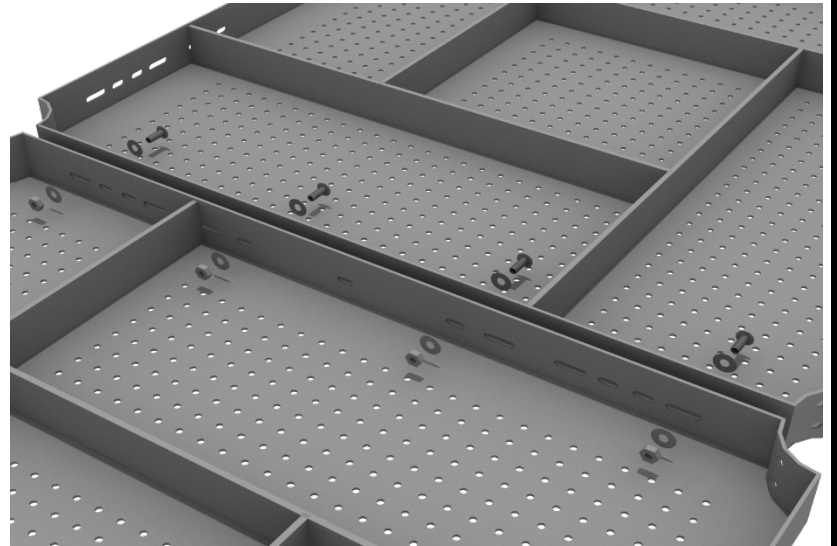




# Deck Connect to Deck

## STEP: 1

When installing decks that are adjacent to one another at the same height, they should be bolted together. On the underside of the deck, install using four (4) M10\*25 Bolts, eight (8) M10 Washers, and four (4) M10 Lock Nuts. Repeat this process for every set of adjacent decks.



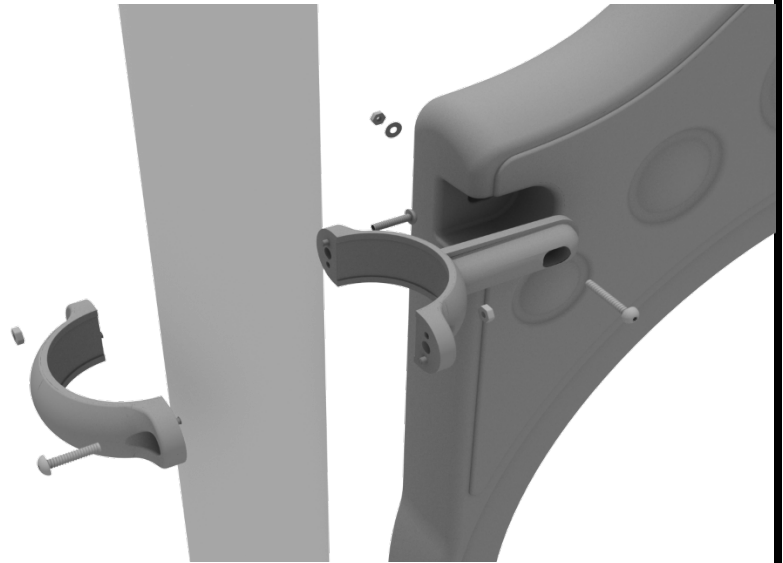
## 3.5-inch Clamp Installation Examples

The following three pages will include examples of how to install some of the most common types of Clamps that are present on our structures that use 3.5-inch outside diameter posts. The structure that you are assembling might not require all the types of clamps listed in these examples.

The Install Guides for specific components that come later in this document might call for a specific type of clamp (a tube clamp for example), those sections will not include detailed instructions for the clamps and should direct you back to this section for more detailed information.

### 3.5-inch Flat Clamp Install Example

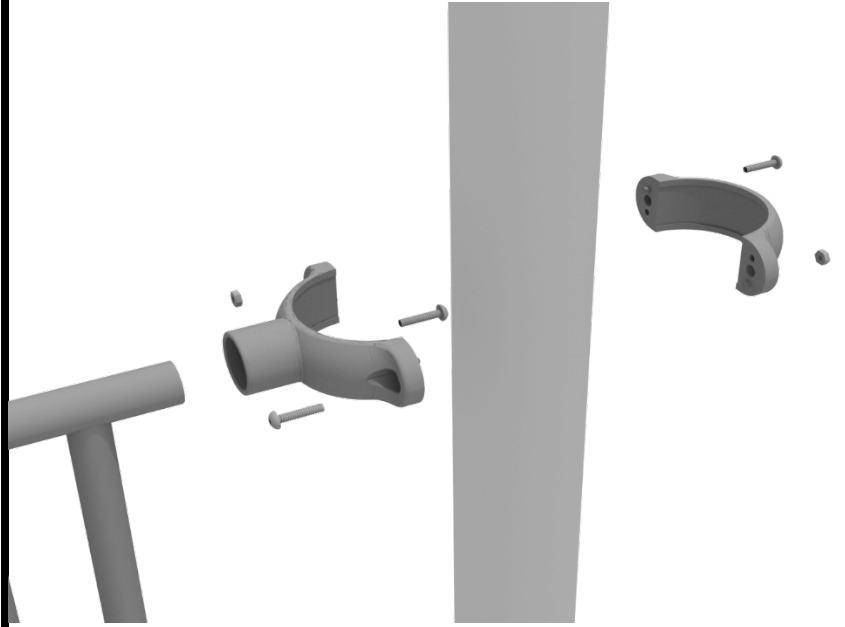
Connect half of the flat clamp to the component using one (1) M8\*40 bolt. Then, using the other half of the flat clamp and the hardware provided in the clamp hardware bag, attach the backside of the flat clamp around the post.



## 3.5-inch Clamp Installation Examples

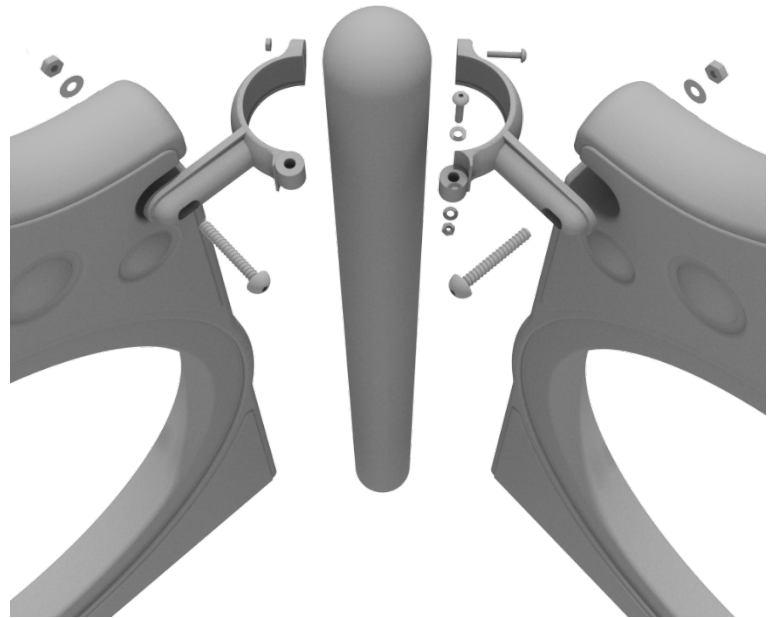
### 3.5-inch Tube Clamp Install Example

Connect half of the clamp to the component using one (1) M8\*30 bolt. Then, using the other half of the tube clamp and the hardware provided in the clamp hardware bag, attach the backside of the tube clamp around the post.



### 3.5-inch 90-Degree Flat Clamp Install Example

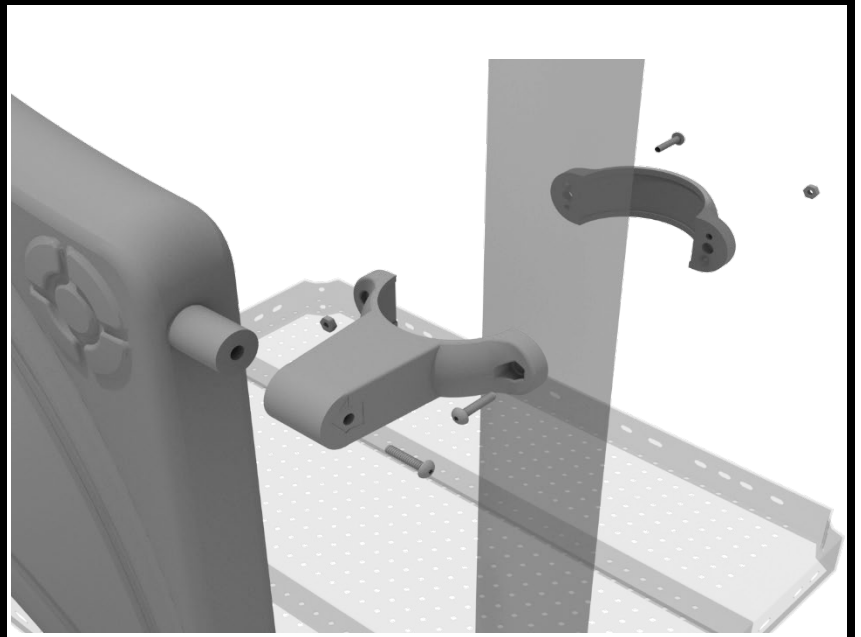
Connect half of the flat clamp to one panel using one (1) M8\*40 bolt. Then, using the other half of the flat clamp and the hardware provided in the clamp hardware bag, attach the other half of the tube clamp around the post. Then, attach the next panel to the other side of the clamp using the same process.



## 3.5-inch Clamp Installation Examples

### 3.5-inch Double Slide Clamp Install Example

Connect half of the double slide clamp to the double slide hood using one (1) M8\*30 bolt. Then, using the other half of the clamp and the hardware provided in the clamp hardware bag, attach the backside of the double slide clamp around the post.



# 36" Transfer Station (for 3.5" post) Install

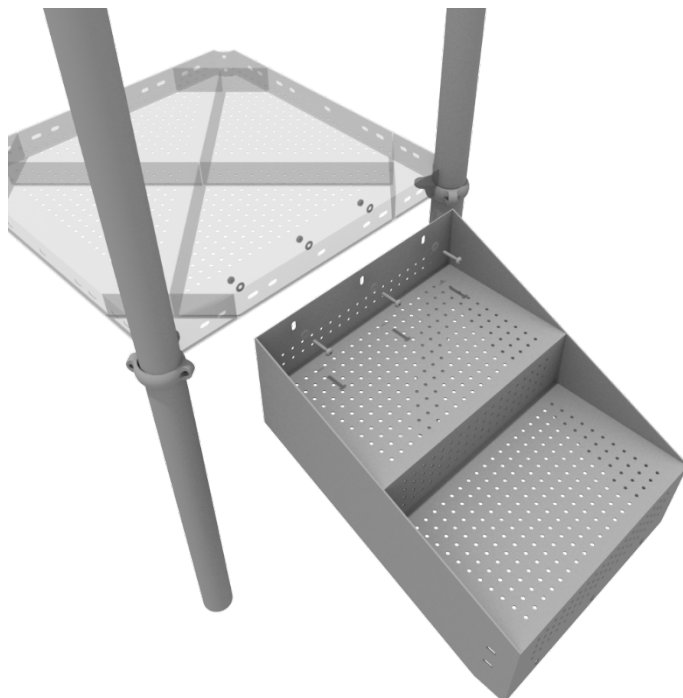
## STEP: 1

Connect half of the 3.5-inch tube clamp to the handrail using one (1) M8\*30 bolt. Set the handrail into place, then attach the second half of the clamp using the hardware provided in the clamp bag. Repeat this process for the other handrail.



## STEP: 2

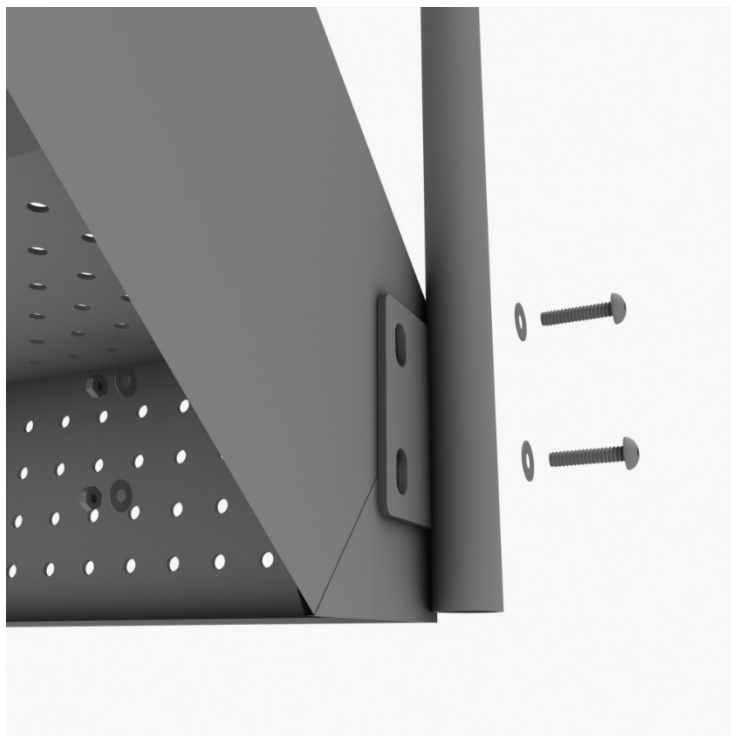
Using three (3) M10\*25 bolts, six (6) M10 washers, and three (3) M10 lock nuts, attach the top of the stairs to the square deck.



# 36" Transfer Station (for 3.5" post) Install

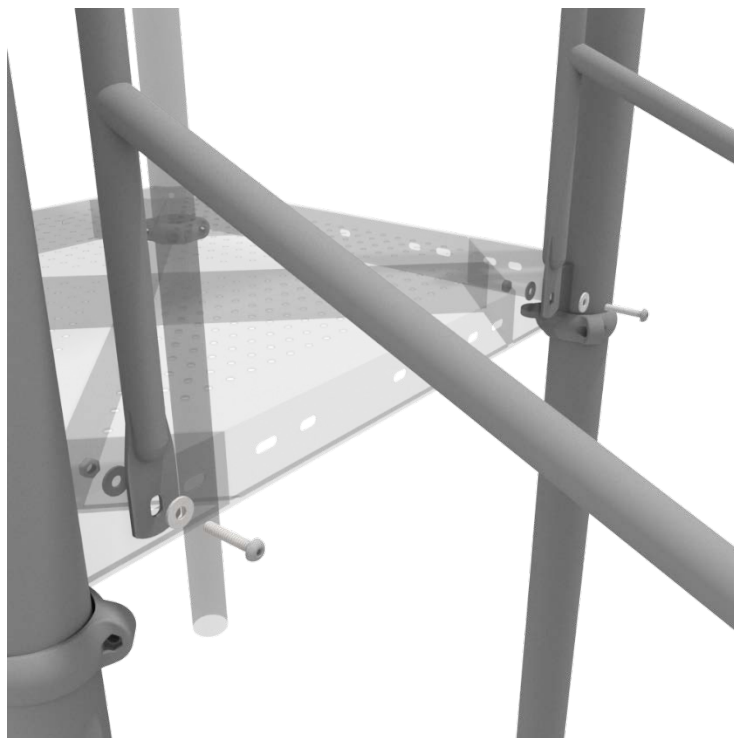
## STEP: 3

Using four (4) M10\*25 bolts, eight (8) M10 washers, and four (4) M10 lock nuts, connect the bottom of the handrails to the bottom of the 3-foot transfer stair.



## STEP: 4

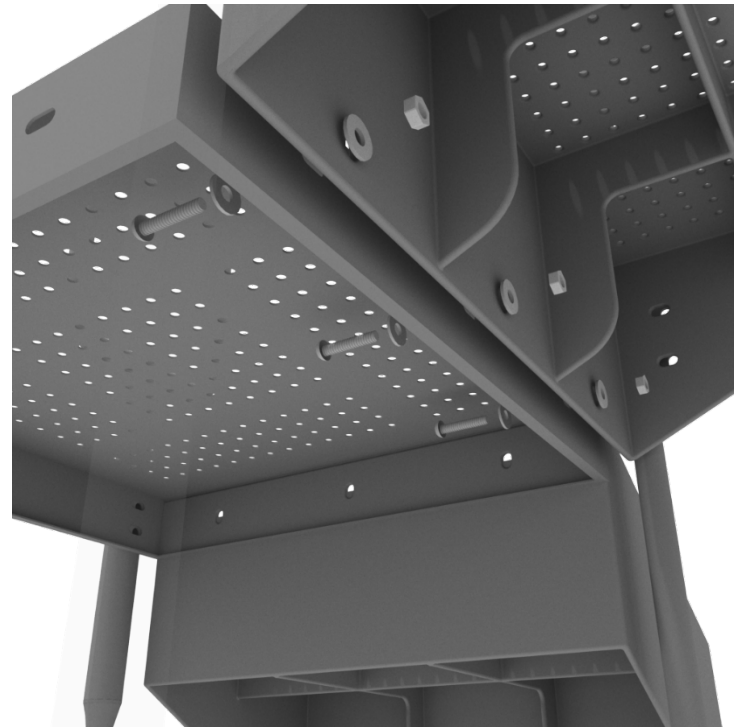
Using two (2) M10\*25 bolts, four (4) M10 washers, two (2) lock nuts, attach the handrail to the square deck.



# 36" Transfer Station (for 3.5" post) Install

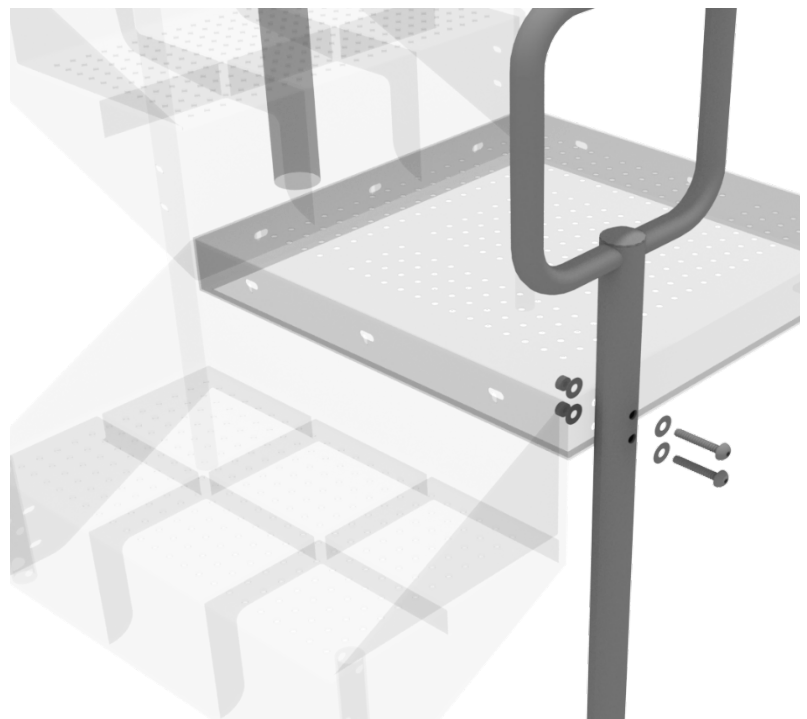
## STEP: 5

Using three (3) M10\*25 bolts, six (6) M10 washers, and three (3) M10 lock nuts, attach the ADA transfer deck to the base of the 3-foot ADA transfer stair.



## STEP: 6

See general installation guide regarding footing information for the transfer deck handrail & mount. Using two (2) M10\*65 bolts, four (4) M10 washers, and two (2) M10 lock nuts, attach the transfer handrail to the ADA transfer deck.

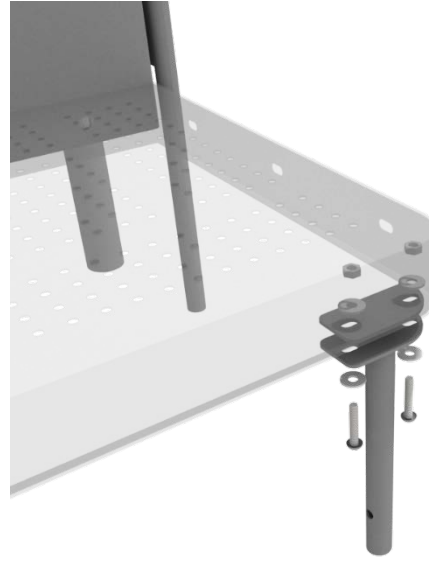




# 36" Transfer Station (for 3.5" post) Install

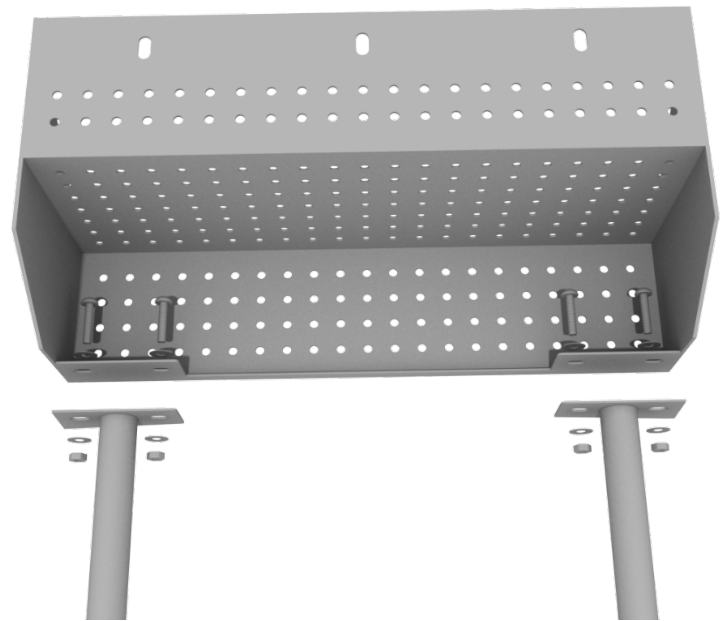
## STEP: 7

Using two (2) M10\*25 bolts, four (4) M10 washers, and two (2) lock nuts, attach the transfer deck mount to the ADA transfer deck.



## STEP: 8

See general installation guide regarding footing information for the ADA transfer step mount. Using two (2) M10 bolts, four (4) M10 washers, and two (2) M10 lock nuts, attach the transfer step to each ADA transfer step mount.

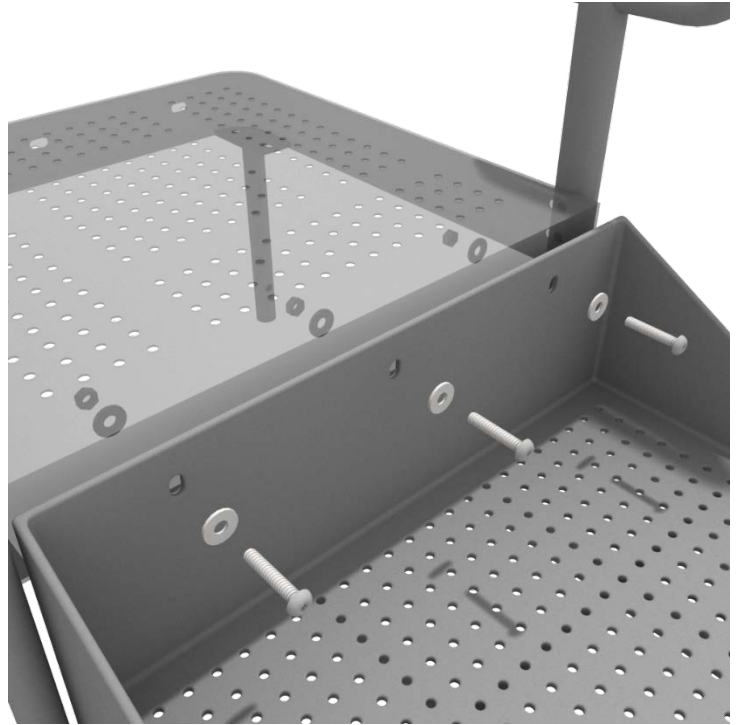




# 36" Transfer Station (for 3.5" post) Install

## STEP: 9

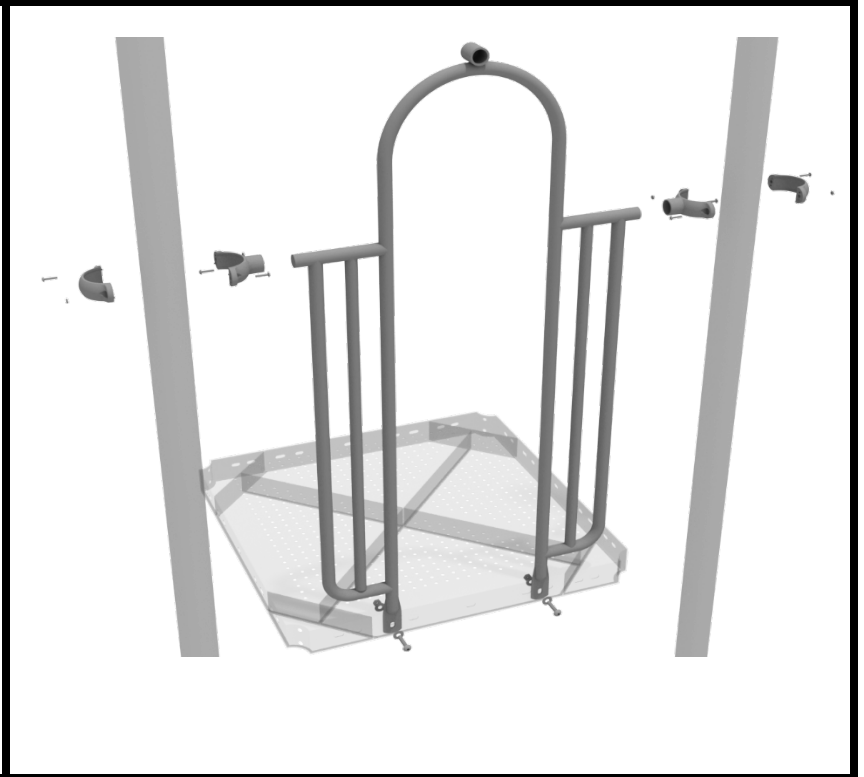
Using three (3) M10\*25 bolts, six (6) M10 washers, and three (3) M10 washers, attach the top of the ADA transfer step to the ADA transfer deck.



# 3.5-inch 2-Clamp Arch Rail Installation

## STEP: 1

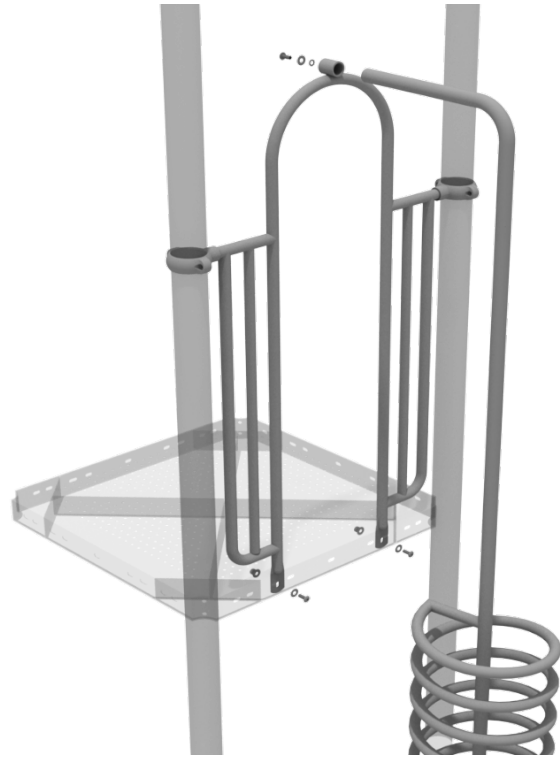
Attach the Arch Rail to the designated posts by connect half of the tube clamp to the arch rail using one (1) M8\*30 bolt. Repeat this process for each post attachment point. Then, attach the rail to the deck using two (2) M10\*25 bolts, four (4) M10 washers, and two (2) M10 lock nuts. Finally, attach the second half of the clamp around the post.



# Spiral Climber Installation

## STEP: 1

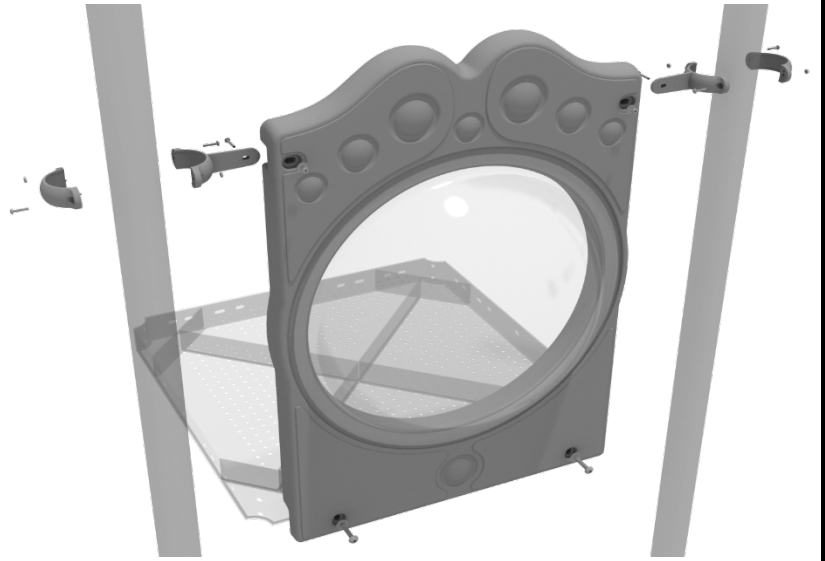
See general installation guide regarding footing information for the spiral climber. Attach the top of the climber to the designated arch rail top bracket using one (1) M10\*30 bolt, one (1) M10 spring washer, and one (1) M10 washer.



# 3.5-inch Bubble Panel Installation

## STEP: 1

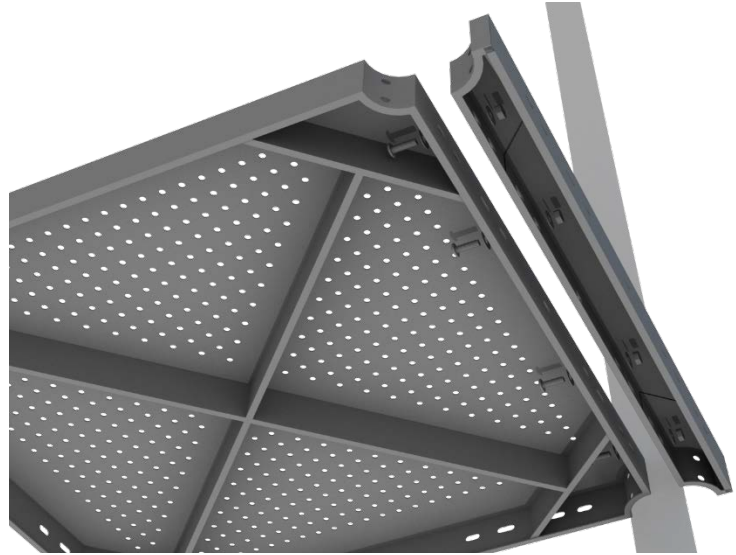
Connect the bottom of the panel to the deck using two (2) M10\*50 bolts, four (4) M10 washers, and two (2) M10 lock nuts. Then attach the top of the panel to the posts using two (2) flat clamps.



# 4-foot Double Straight Slide Installation

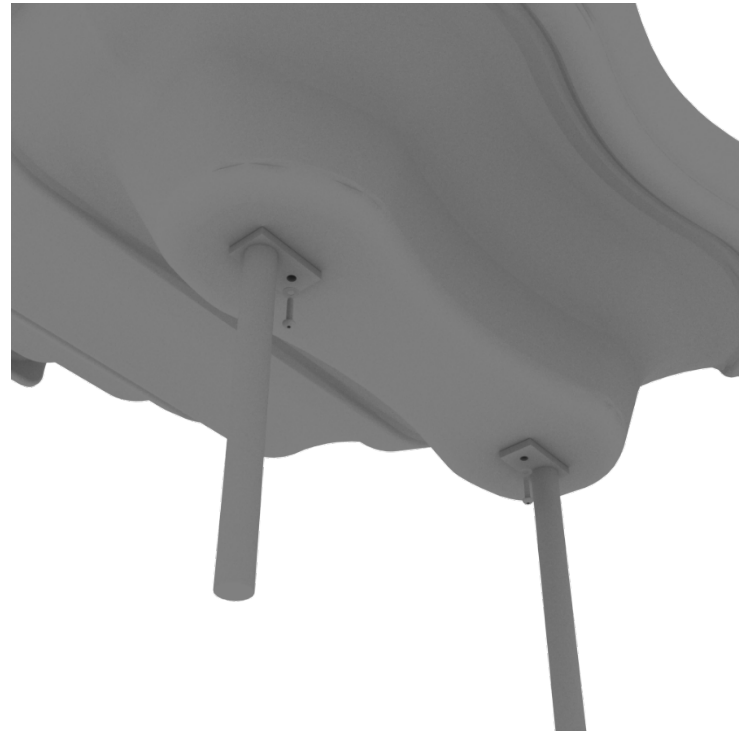
## STEP: 1

Attach the deck climber extension to the proper deck using four (4) M10\*25 bolts, eight (8) M10 washers, and four (4) M10 lock nuts.



## STEP: 2

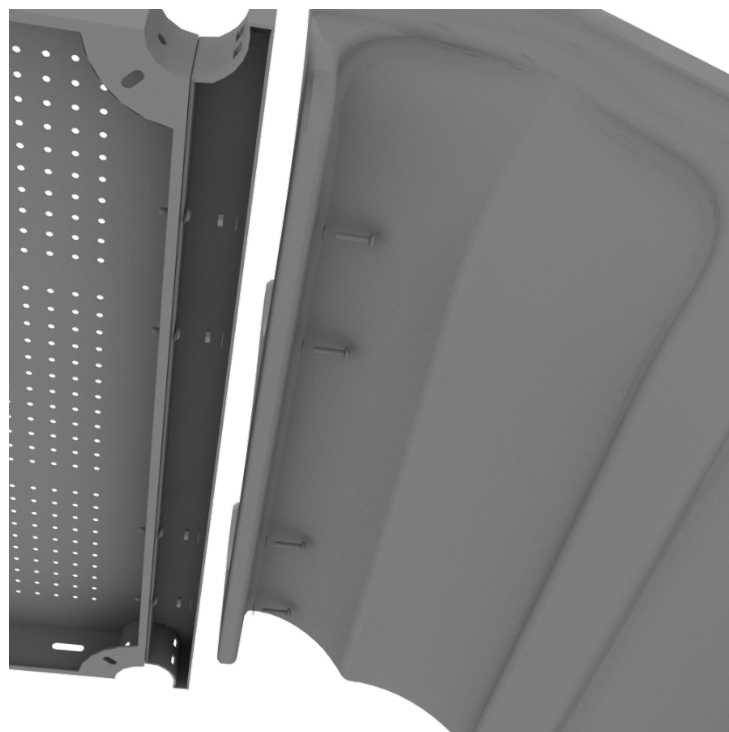
Then, See general installation guide regarding footing information for the double slide end mounts. Using two (2) M8\*20 bolts, two (2) M8 spring gaskets, and two (2) M8 washers, attach the slide end mounts to the double slide.



# 4-foot Double Straight Slide Installation

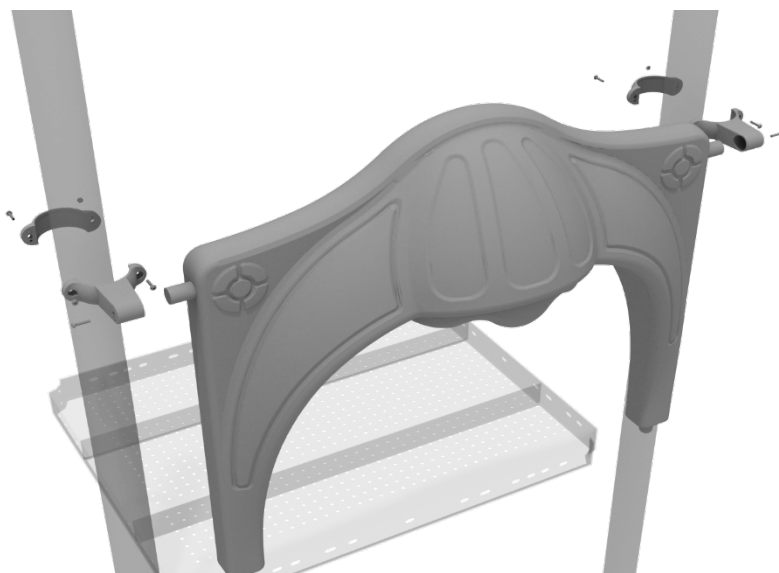
## STEP: 3

Then, attach the slide to the deck extension using four (4) M10\*45 bolts, eight (8) M10 washers, and four (4) M10 lock nuts.



## STEP: 4

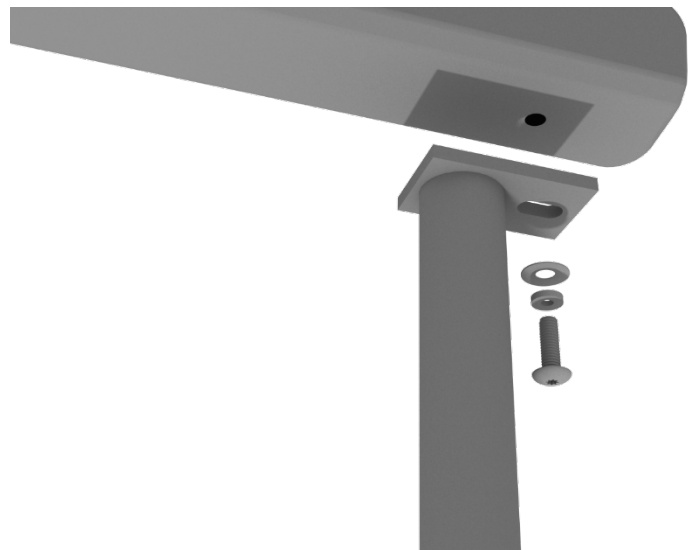
Once the slide is attached, take the double slide hood and insert hood into the top of the slide, and then attach the top using two (2) double slide clamps, and two (2) M8\*30 bolts.



# Figure Climber Installation

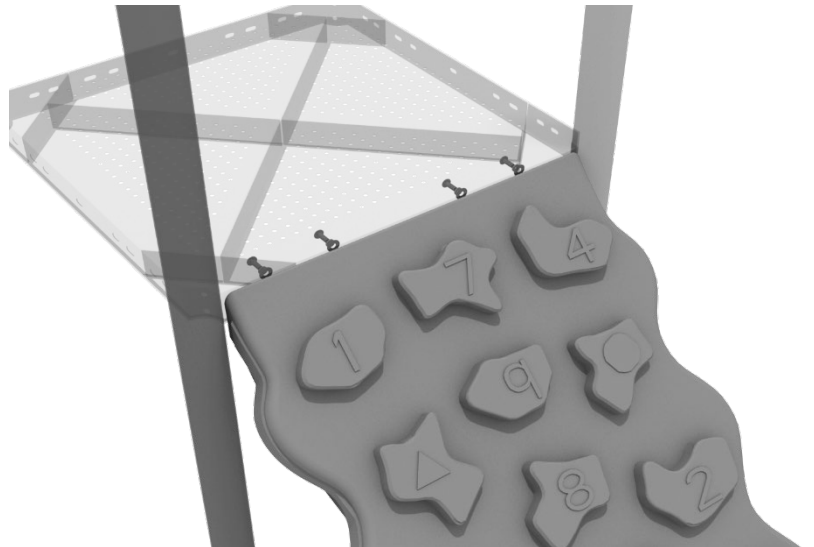
## STEP: 1

See general installation guide regarding footing information for the figure climber. Using two (2) M10\*20 bolts, two (2) M10 spring gaskets, and two (2) M10 washers, attach the bottom of the figure climber to the climber end mounts.



## STEP: 2

Using four (4) M10\*20 bolts, four (4) M10 spring gaskets, and four (4) M10 washers, attach the figure climber to the square deck.

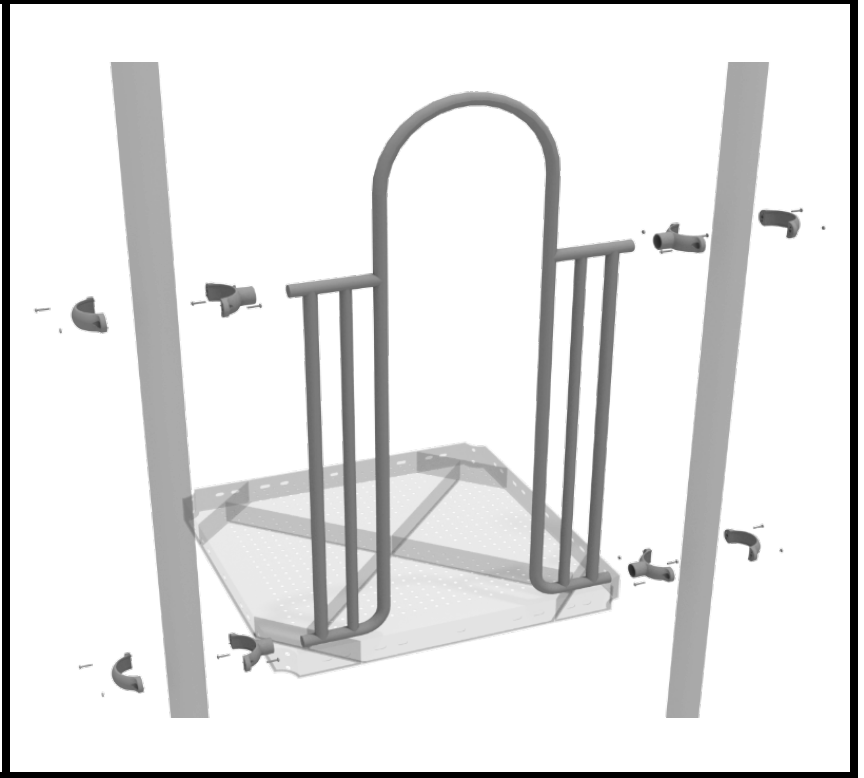


# 3.5-inch 4-Clamp Arch Rail Installation

## STEP: 1

Attach the Arch Rail to the designated posts by connect half of the tube clamp to the arch rail using one (1) M8\*30 bolt. Repeat this process for each attachment point.

Set the arch rail into place, then attach the second half of the clamp around the post. The gap between the deck and the bottom of the rail should be no more than 3 inches.

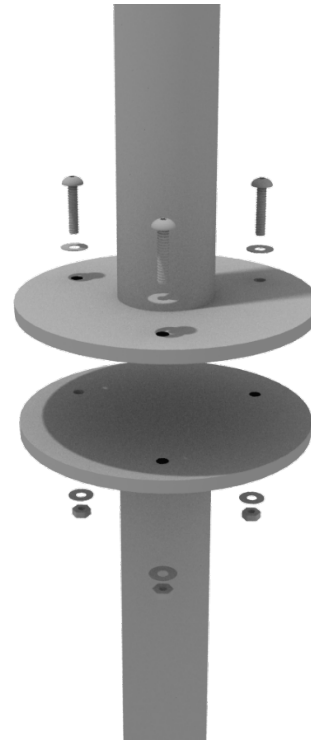




# Pod Climber Installation

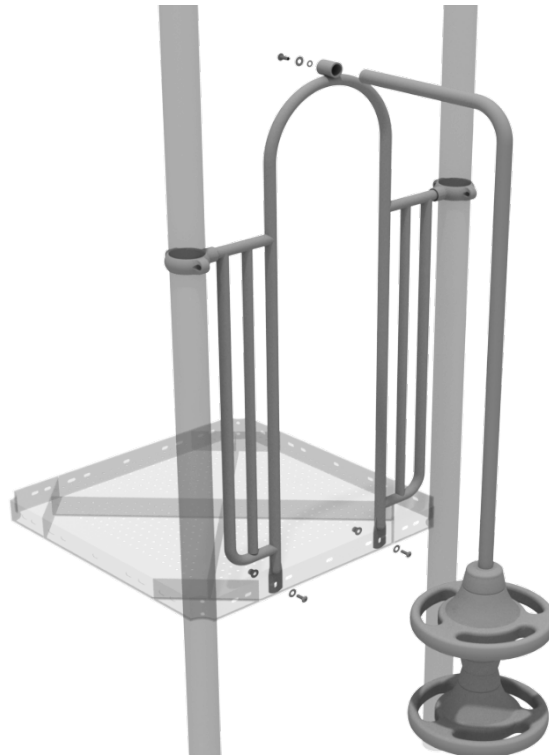
## STEP: 1

See general installation guide regarding footing information for the pod climber. Attach the circle end mount to the bottom of the climber using the pre-attached hardware. Each attachment uses three (3) M10\*20 bolts, three (3) M10 spring gaskets, and one (3) M10 large gaskets.



## STEP: 2

Attach the top of the climber to the designated arch rail top bracket using one (1) M10\*30 bolt, one (1) M10 spring washer, and one (1) M10 washer.



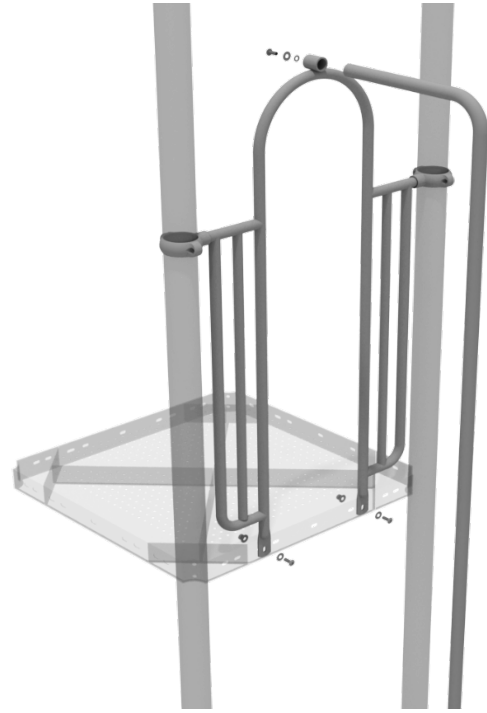
1 Playground Drive  
Greenfield, IN 46140  
1-800-667-0097

Created By: Aaron Price  
Date: 03/21/2018

# Fireman's Pole Installation

## STEP: 1

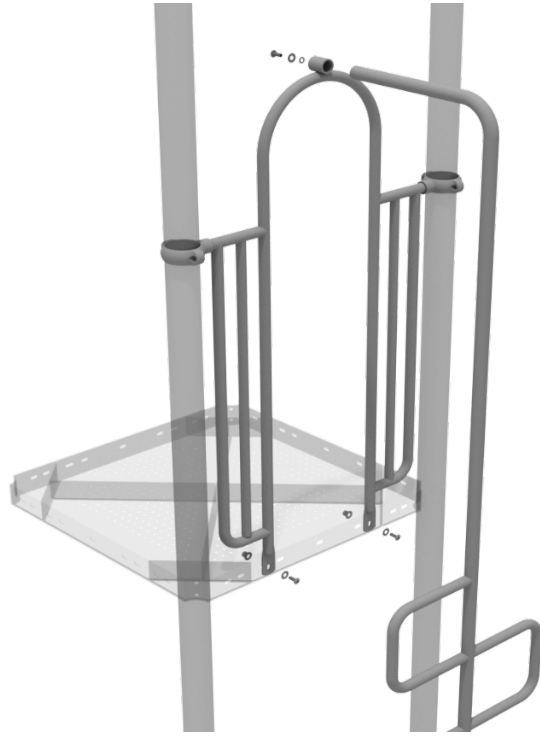
See general installation guide regarding footing information for the fireman's pole. Attach the top of the climber to the designated arch rail top bracket using one (1) M10\*30 bolt, one (1) M10 spring washer, and one (1) M10 washer.



# Snake Climber Installation

## STEP: 1

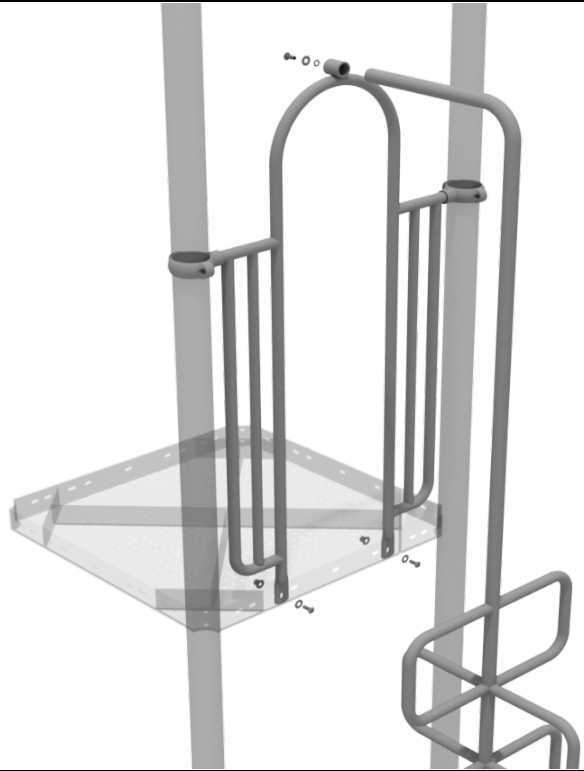
See general installation guide regarding footing information for the snake climber. Attach the top of the climber to the designated arch rail top bracket using one (1) M10\*30 bolt, one (1) M10 spring washer, and one (1) M10 washer.



# Ribbon Climber Installation

## STEP: 1

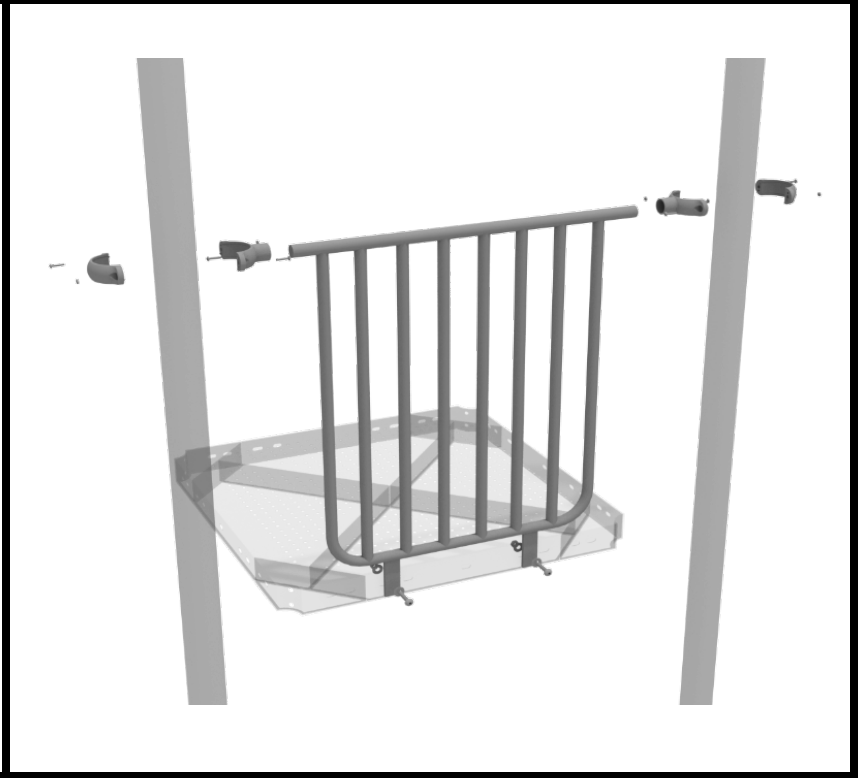
See general installation guide regarding footing information for the ribbon climber. Attach the top of the climber to the designated arch rail top bracket using one (1) M10\*30 bolt, one (1) M10 spring washer, and one (1) M10 washer.



# 3.5-inch Metal Barrier Installation

## STEP: 1

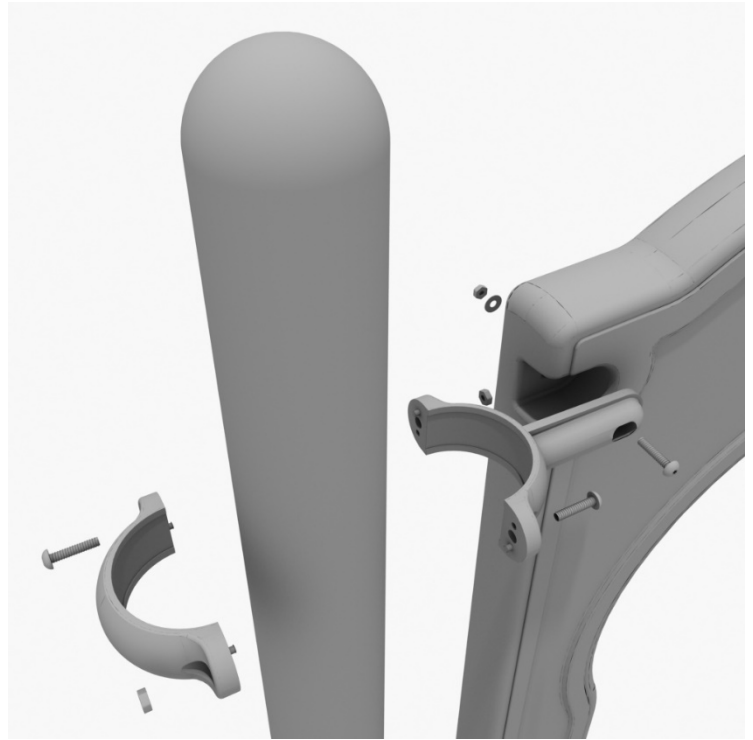
Attach the metal barrier to the designated posts using two (2) tube clamps two (2) M8\*30 bolts. Then, attach the bottom of the metal barrier to the deck using two (2) M10\*25 bolts, four (4) M10 washers, and two (2) M10 lock nuts.



# 5-foot Single Wave Slide Installation

## STEP: 1

Take one (1) 3.5-inch flat clamp, and loosely attach it around a post using the bolts and nuts provided in the clamp hardware bag. Repeat this process on the other post. Then, use one (1) M8\*40 bolt, one (1) M8 washer, and one (1) M8 lock nut to attach each side of the slide hood to each clamp. Leave bolts loose until slide is in place.



## STEP: 2

See general installation guide regarding footing information for the slide end mount. Using two (2) M8\*20, two (M8) spring washers. And two (2) M8 washers, attach the slide to the slide support post.



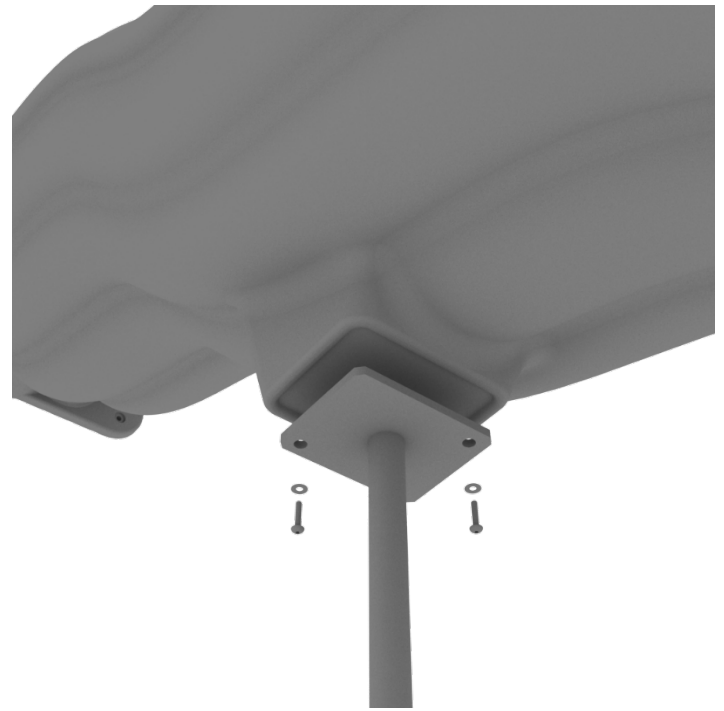
1 Playground Drive  
Greenfield, IN 46140  
1-800-667-0097

Created By: Aaron Price  
Date: 04/10/2018

# 5-foot Single Wave Slide Installation

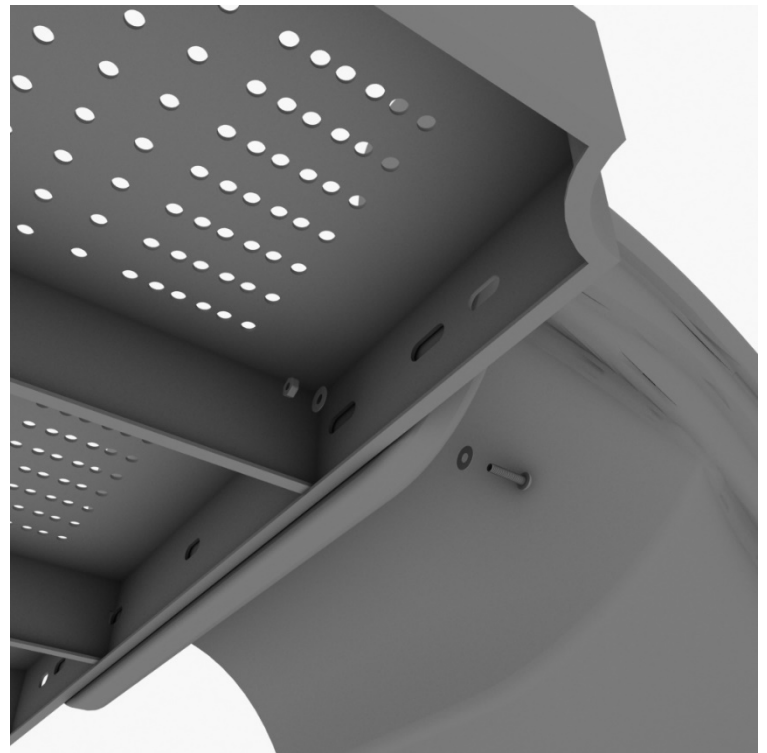
## STEP: 3

See general installation guide regarding footing information for the middle slide support. Using two (2) M8\*20 bolts, two (2) M8 spring washers, and two (2) M8 washers, attach the middle slide support post. Repeat the process for each middle slide mount.



## STEP: 4

To attach a single slide to a deck, use two (2) M10\*45 bolts, four (4) M10 washers, and two (2) M10 lock nuts. Repeat this process for the other side of the slide. Repeat this process for each single slide.



# 5-foot Single Wave Slide Installation

## STEP: 5

Using two (2) M8\*45 bolts, two (2) M8 washer, two (2) M12 washers, and one (1) M12 inner hex spiral nut, attach the slide to the slide hood. Repeat this process for the other side of the slide.

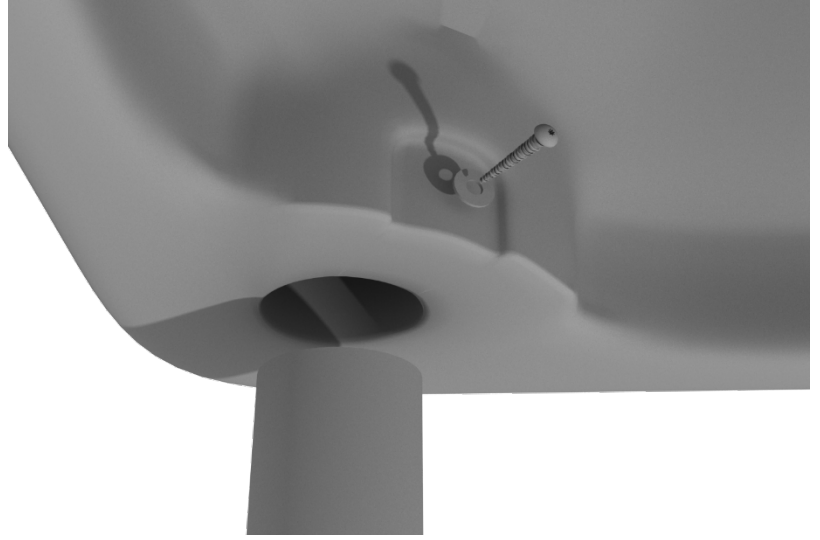




# Line Roof Installation

## STEP: 1

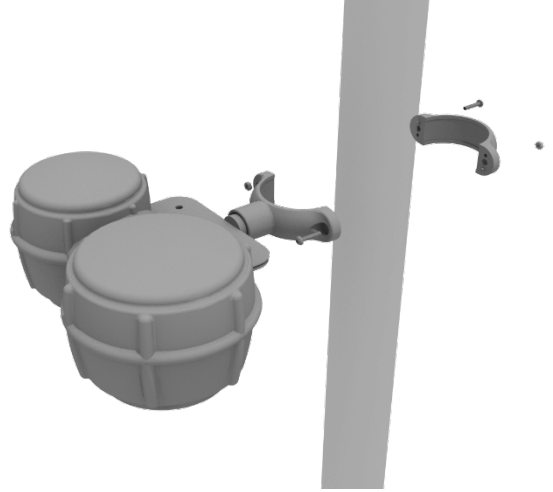
Set the line roof on top of the posts. Take four (4) self-tapping screws and drill them through the notch at each corner of the roof, into the support posts.



# Bongos Installation

## STEP: 1

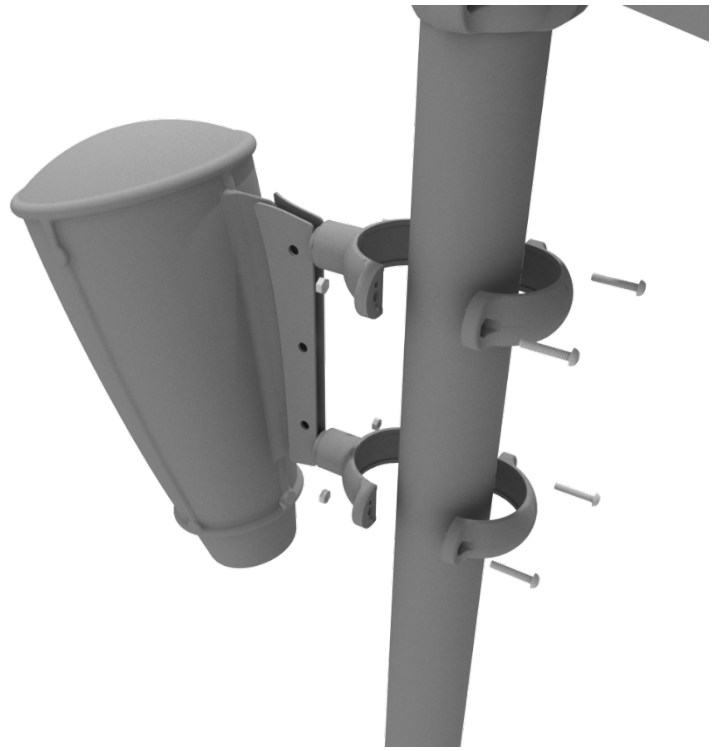
Detach half of the tube clamp connected to the Bongos, and re-attach the clamp around the support post, as shown in the image. Recommended install height is 20 to 36 inches above surfacing depending on age range.



# Single Drum Installation

## STEP: 1

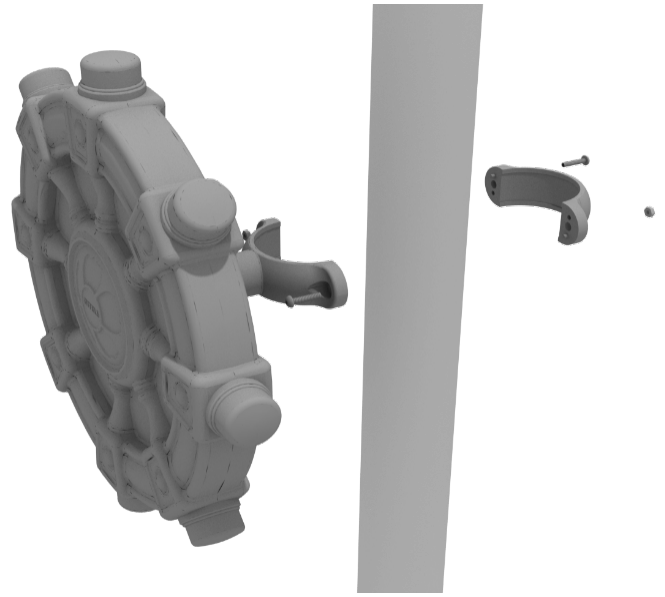
Detach half of the tube clamps connected to the Single Drum, and re-attach the clamps around the support post, as shown in the image. Recommended install height is 20 to 36 inches above surfacing depending on age range.



# Ships Wheel Installation

## STEP: 1

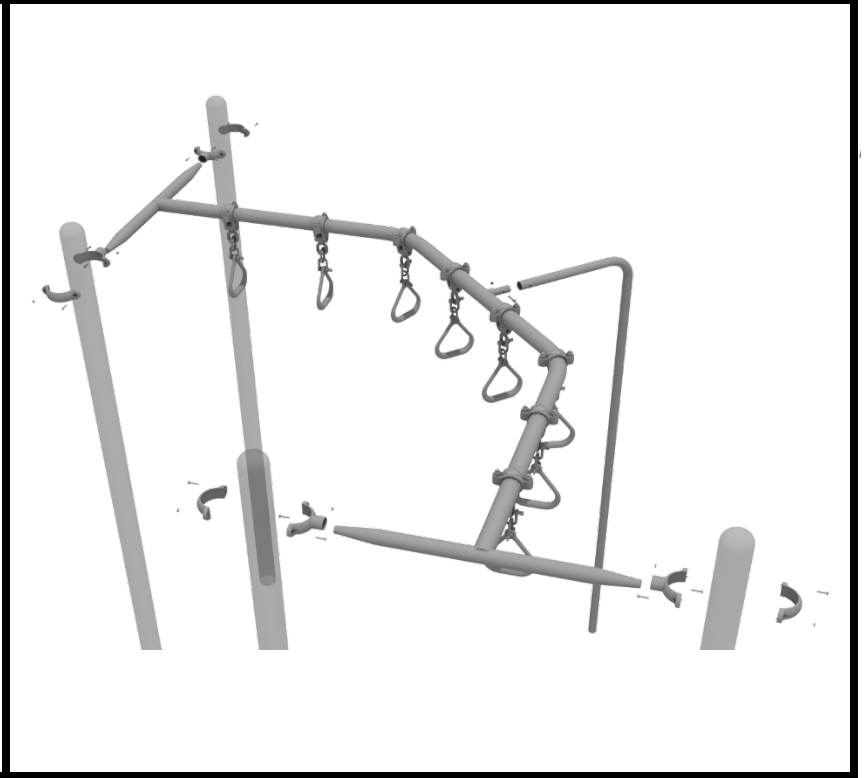
Detach half of the tube clamp connected to the Ships Wheel, and re-attach the clamp around the support post, as shown in the picture. Recommended install height is 20 to 36 inches above surfacing depending on age range.



## STEP: 1

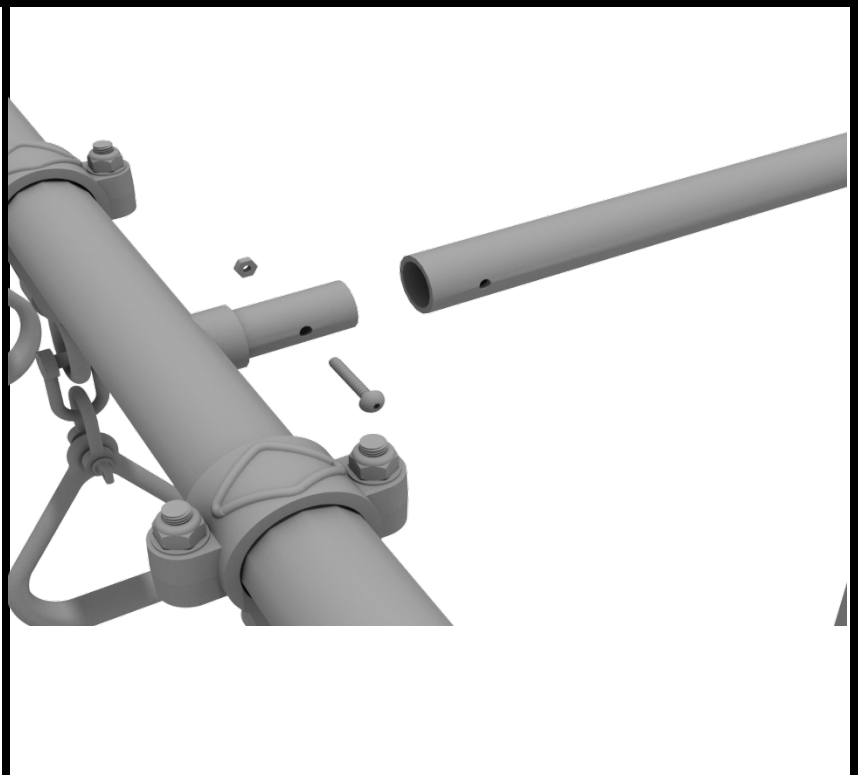
Attach the Overhead Swinging Ring Ladder to the designated posts by connect half of the tube clamp to the ladder using one (1) M8\*30 bolt.

Repeat this process for each attachment point. Set the ladder into place, then attach the second half of the clamp around the post.



## STEP: 2

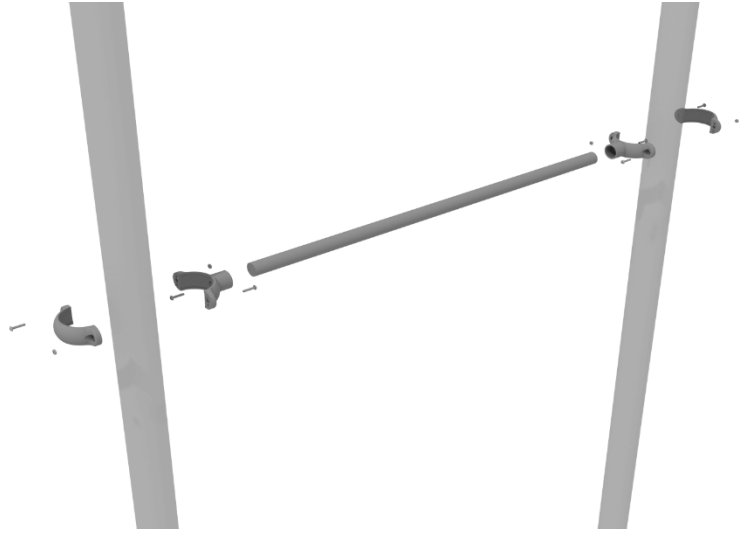
See general installation guide regarding footing information for the climber support post. Using one (1) M10\*50 bolt and one (1) M10 lock nut, attach the climber support to the overhead climber.



# Chin Up Bar Install

## STEP: 1

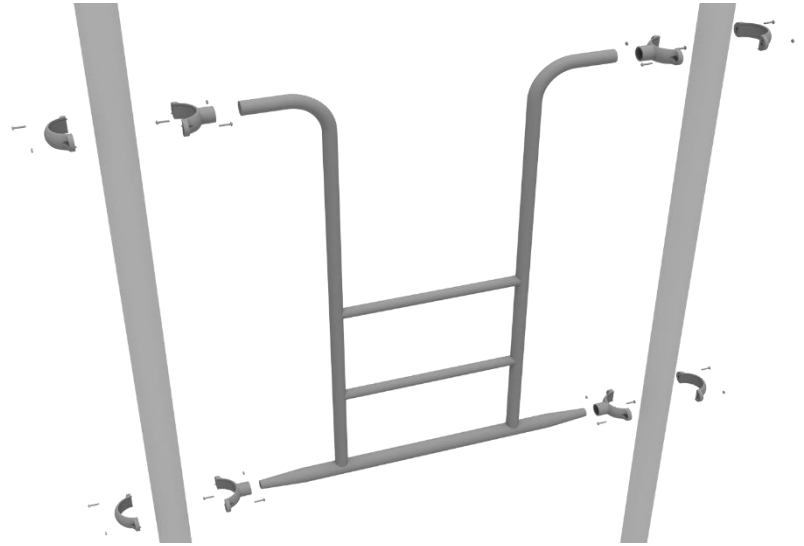
Connect the Chin up Bar to the designated post using two (2) 3.5-inch tube clamps.



# Overhead Access Ladder Installation

## STEP: 1

Attach the Overhead Access Ladder to the designated posts by connect half of the tube clamp to the ladder using one (1) M8\*30 bolt. Repeat this process for each attachment point. Set the ladder into place, then attach the second half of the clamp around the post.

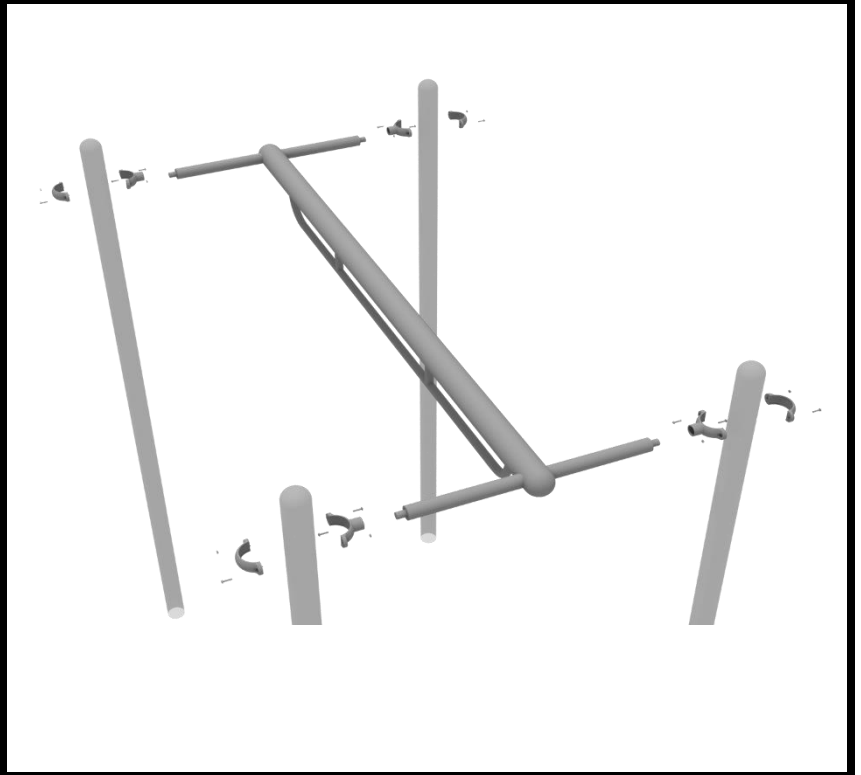


# Overhead Single Bar Installation

## STEP: 1

Attach the Overhead Single Bar Ladder to the designated posts by connect half of the tube clamp to the ladder using one (1) M8\*30 bolt.

Repeat this process for each attachment point. Set the ladder into place, then attach the second half of the clamp around the post.





# Overhead Climber Clamp Support

Once clamps are installed on structure, secure clamp to post by using hardware provided. Use one bolt cap with cover, one washer, one screw. Drill into the backside of the clamp.

