

## STEP: 1

**DO NOT CEMENT POSTS INTO PLACE  
UNTIL THE ENTIRE STRUCTURE IS  
ASSEMBLED.**

Refer to the General Installation  
guide footing information and dig  
proper holes for the support posts.



# Rectangle Deck Installation

## STEP: 1

After the posts are in place, using four (4) M10\*35 bolts, eight (8) M10 washers, and four (4) M10 lock nuts, attach the rectangle deck to each pre-attached deck clamp as shown in the image.

Deck clamps are pre-attached to the posts and should not be altered in any way.



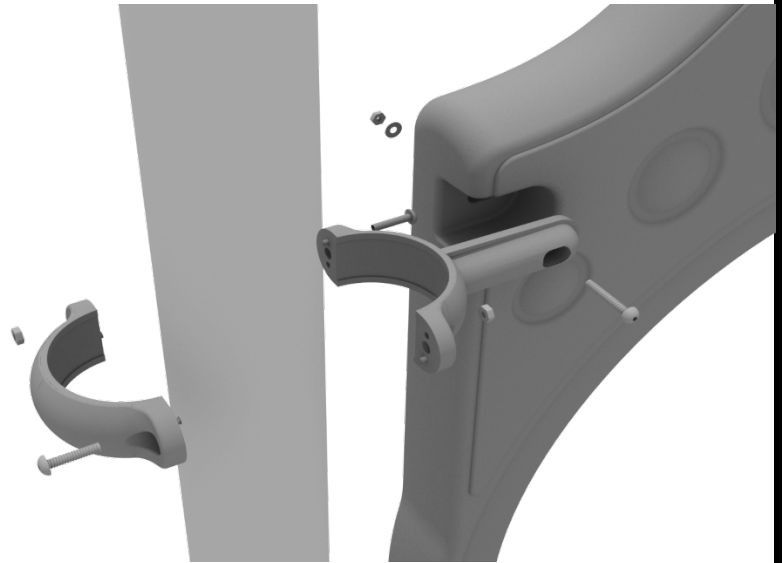
## 3.5-inch Clamp Installation Examples

The following three pages will include examples of how to install some of the most common types of Clamps that are present on our structures that use 3.5-inch outside diameter posts. The structure that you are assembling might not require all the types of clamps listed in these examples.

The Install Guides for specific components that come later in this document might call for a specific type of clamp (a tube clamp for example), those sections will not include detailed instructions for the clamps and should direct you back to this section for more detailed information.

### 3.5-inch Flat Clamp Install Example

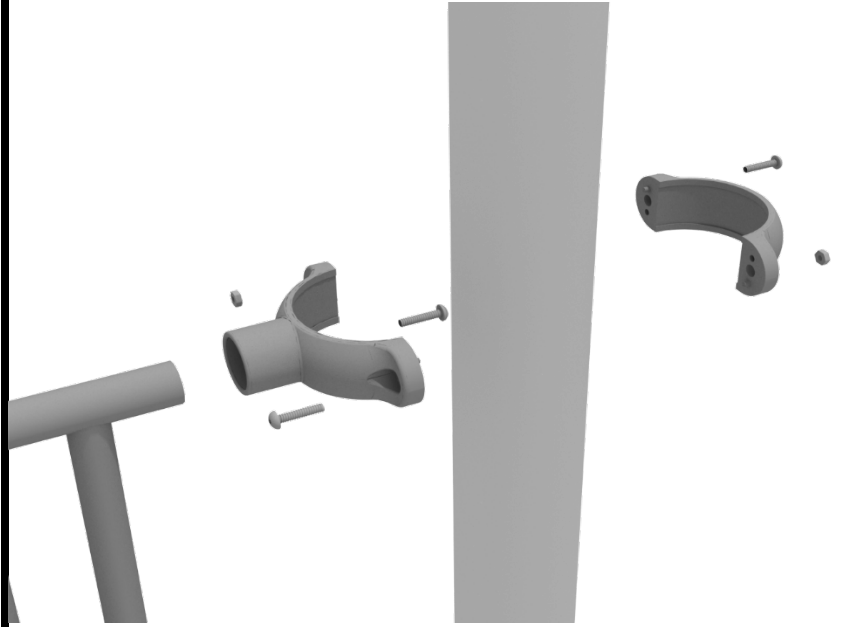
Connect half of the flat clamp to the component using one (1) M8\*40 bolt. Then, using the other half of the flat clamp and the hardware provided in the clamp hardware bag, attach the backside of the flat clamp around the post.



## 3.5-inch Clamp Installation Examples

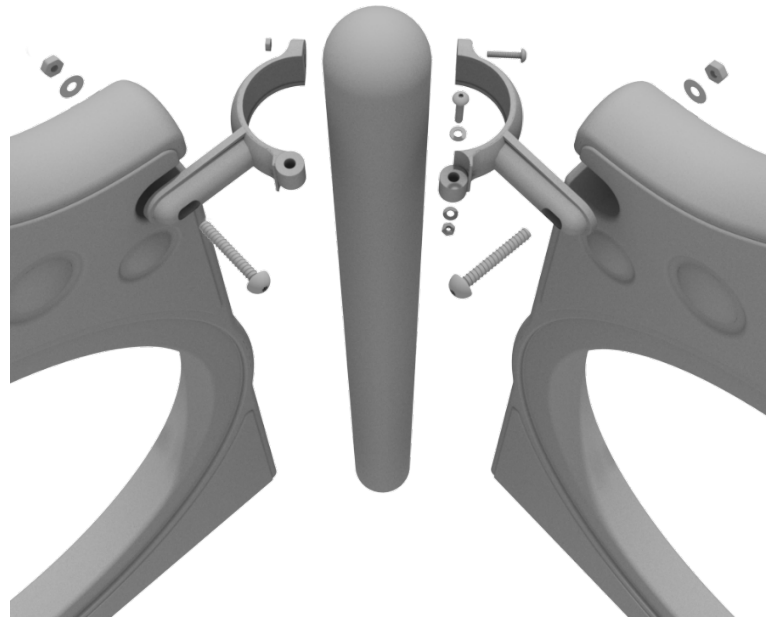
### 3.5-inch Tube Clamp Install Example

Connect half of the clamp to the component using one (1) M8\*30 bolt. Then, using the other half of the tube clamp and the hardware provided in the clamp hardware bag, attach the backside of the tube clamp around the post.



### 3.5-inch 90-Degree Flat Clamp Install Example

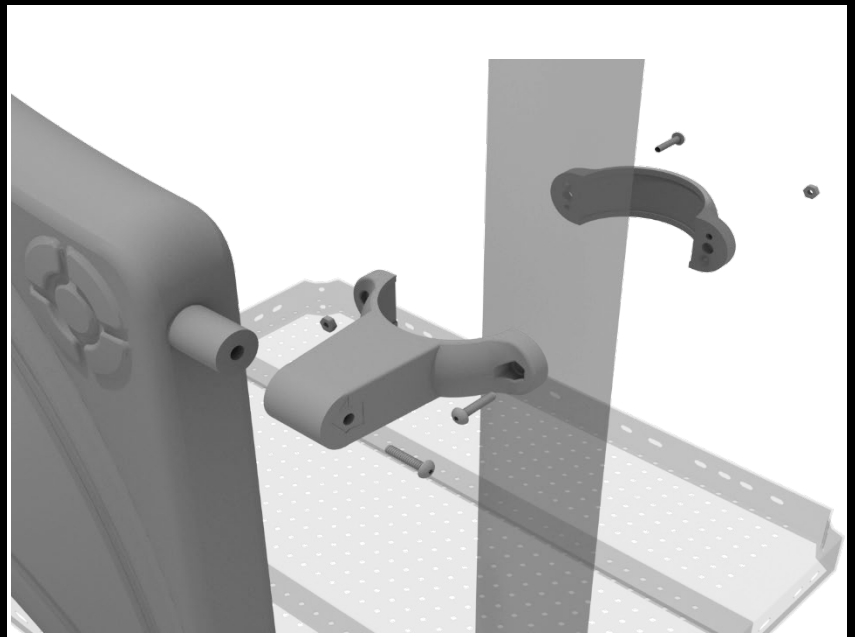
Connect half of the flat clamp to one panel using one (1) M8\*40 bolt. Then, using the other half of the flat clamp and the hardware provided in the clamp hardware bag, attach the other half of the tube clamp around the post. Then, attach the next panel to the other side of the clamp using the same process.



## 3.5-inch Clamp Installation Examples

### 3.5-inch Double Slide Clamp Install Example

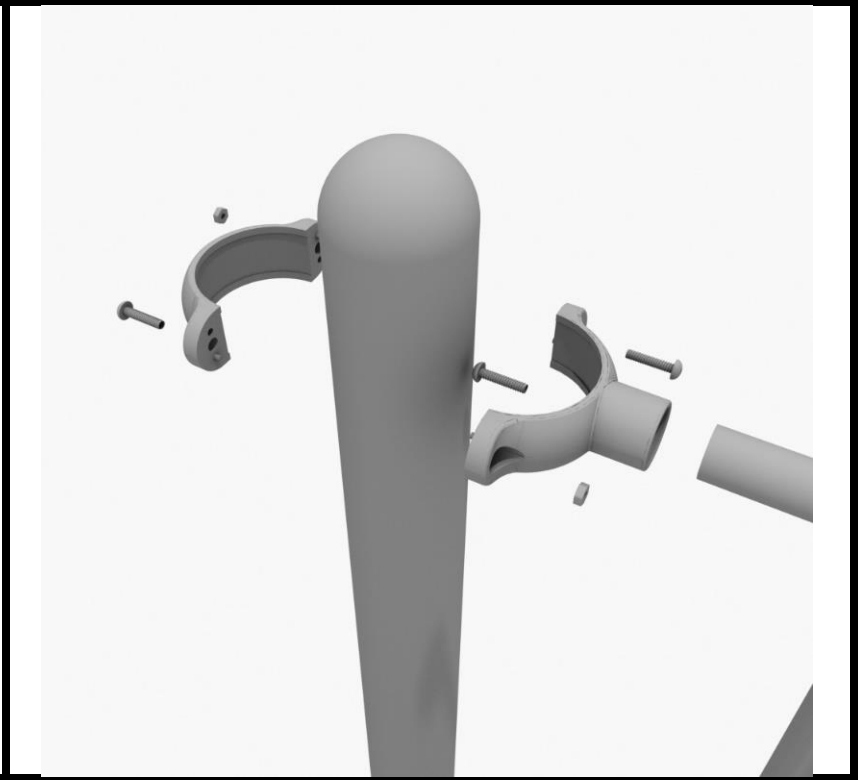
Connect half of the double slide clamp to the double slide hood using one (1) M8\*30 bolt. Then, using the other half of the clamp and the hardware provided in the clamp hardware bag, attach the backside of the double slide clamp around the post.



# 4.5-inch 3-foot Transfer Station Install

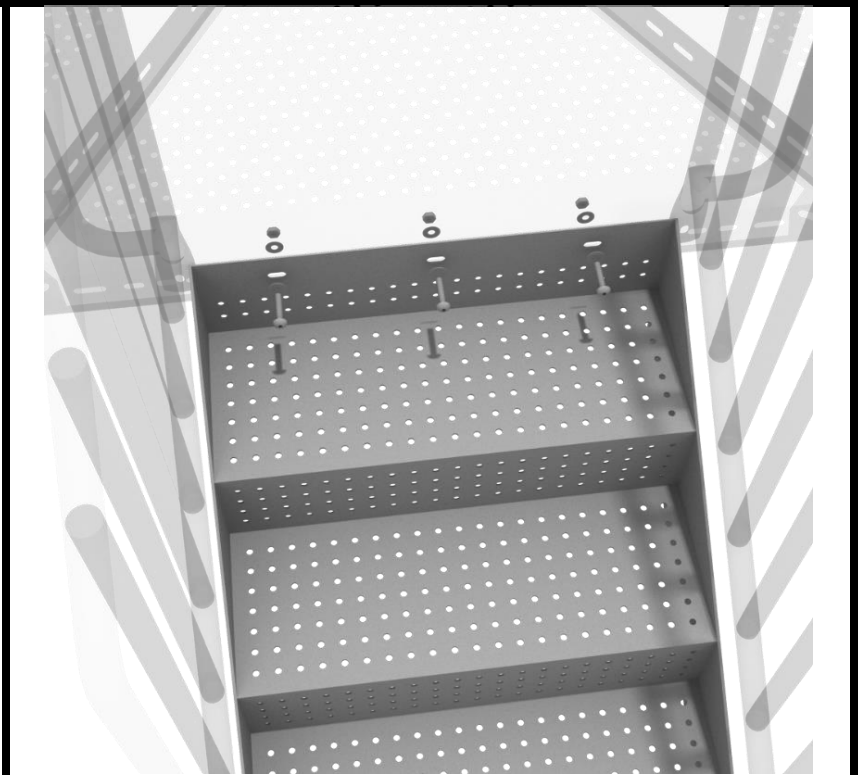
## STEP: 1

Connect half of a tube clamp to the ADA transfer handrail using one (1) M8\*30 bolt. Set the handrail into place, then attach the second half of the clamp using the hardware provided in the clamp bag. Repeat this process for the other handrail.



## STEP: 2

Using three (3) M10\*25 bolts, six (6) M10 washers, and three (3) M10 lock nuts, attach the top of the stairs to the half hex deck. Then using four (4) M10\*30 bolts, eight (8) M10 washers, and four (4) M10 lock nuts, attach the handrail to the bottom of the stairs. Then, using two (2) M10\*25 bolts, four (4) M10 washers, and two (2) M10 lock nuts, attach the handrails to the deck.



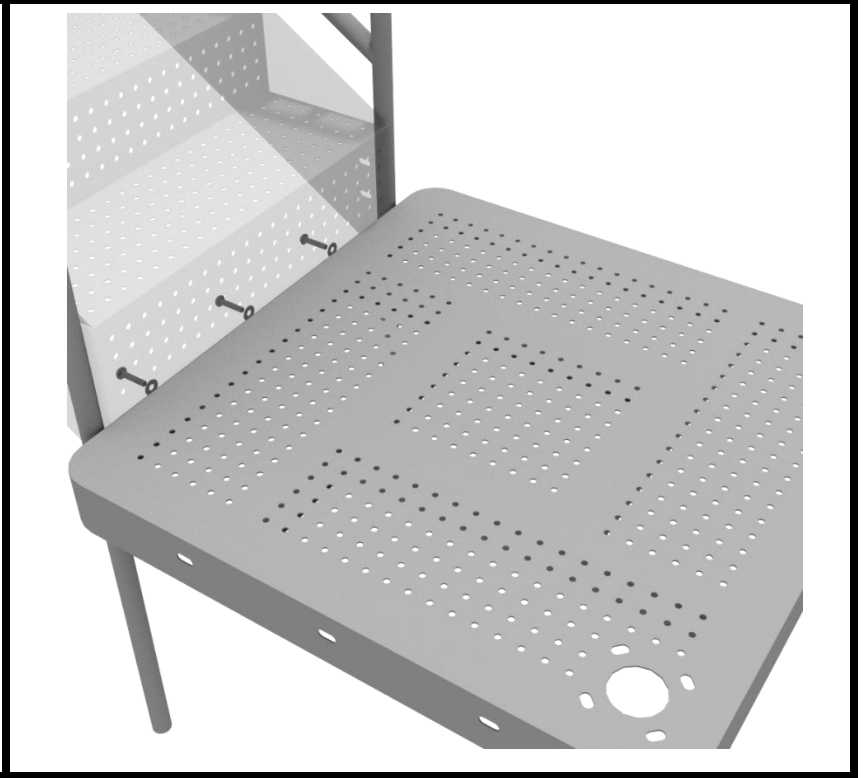
1 Playground Drive  
Greenfield, IN 46140  
1-800-667-0097

Created By: Aaron Price  
Date Modified: 04/25/18

# 4.5-inch 3-foot Transfer Station Install

## STEP: 3

Using three (3) M10\*25 bolts, six (6) M10 washers, and three (3) M10 lock nuts, attach the ADA transfer deck to the base of the 4-foot ADA transfer stair.



## STEP: 4

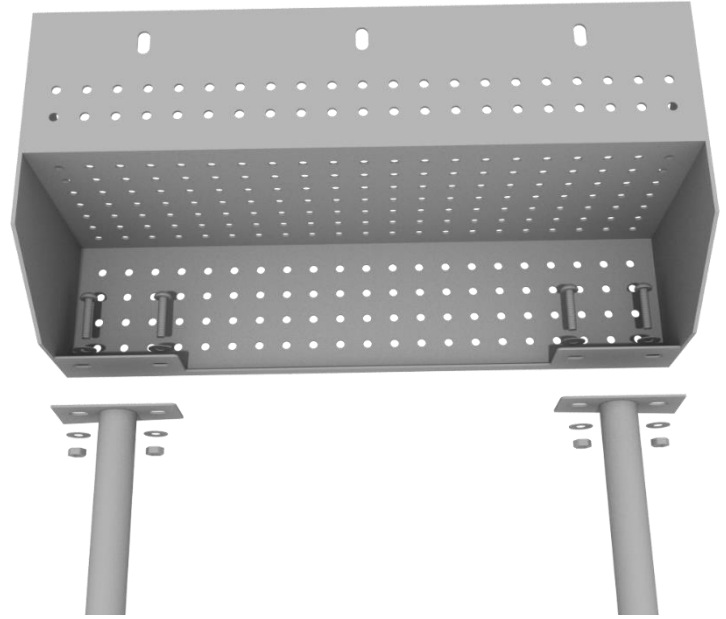
See general installation guide regarding footing information for the transfer deck handrail. Using four (4) M10\*25 bolts, eight (8) M10 washers, and four (4) M10 lock nuts, attach each transfer deck handrail to the ADA transfer deck.



# 4.5-inch 3-foot Transfer Station Install

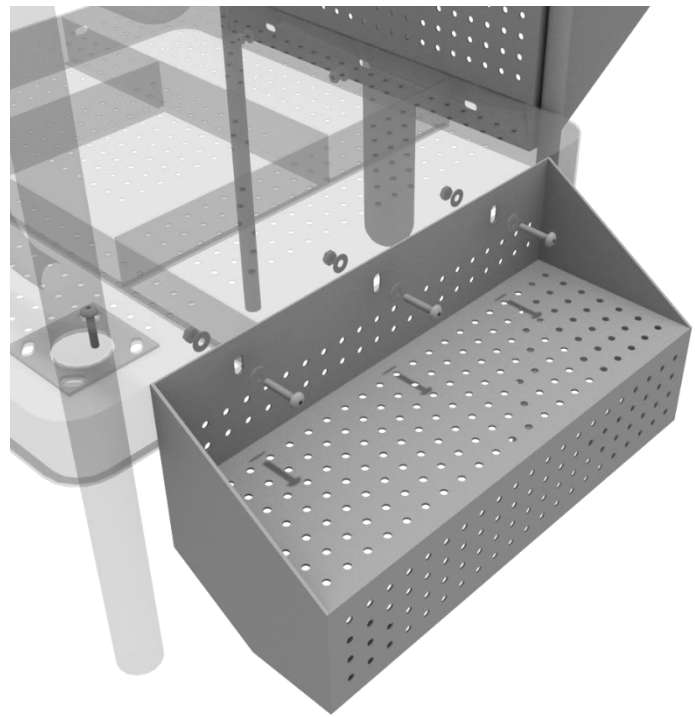
## STEP: 5

See general installation guide regarding footing information for the ADA transfer step mount. Using two (2) M10\*25 bolts, four (4) M10 washers, and two (2) M10 lock nuts, attach the transfer step to each ADA transfer step mounts.



## STEP: 6

Using three (3) M10\*25 bolts, six (6) M10 washers, and three (3) M10 washers, attach the top of the ADA transfer step to the ADA transfer deck.

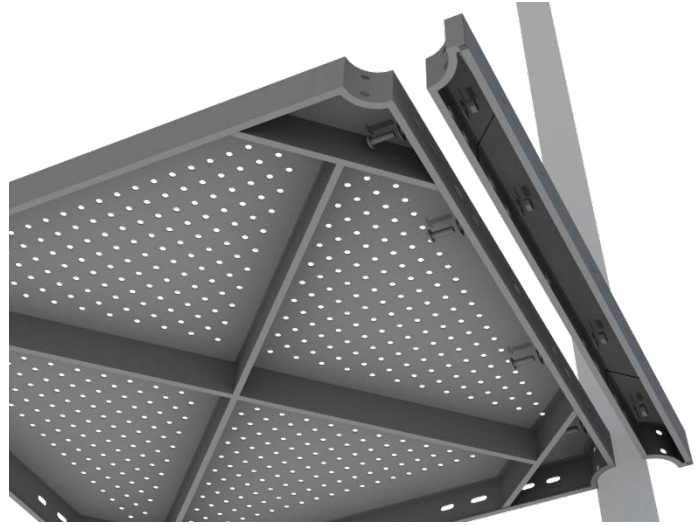




# 3-foot Double Straight Slide Installation

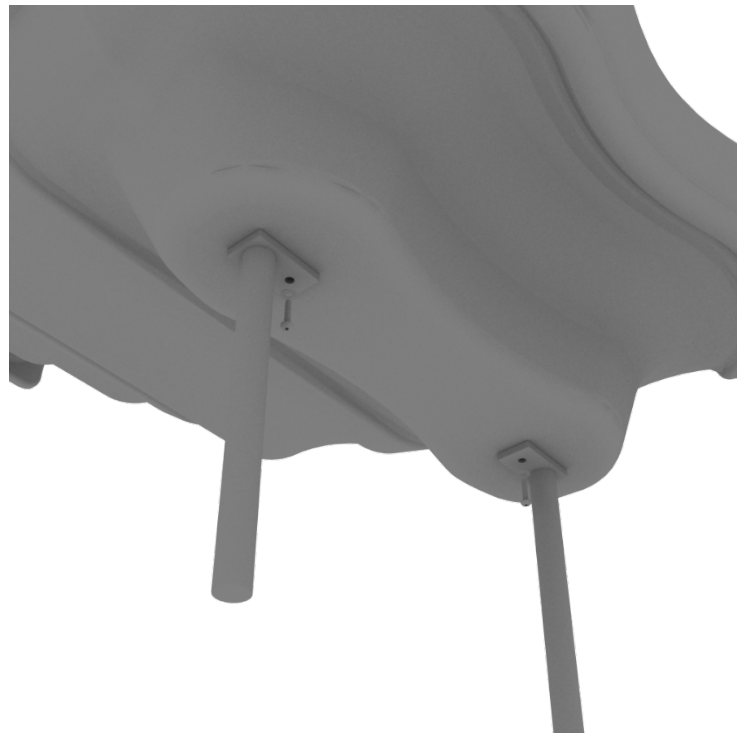
## STEP: 1

For the double slide, you will first need to attach the double slide deck extension. This will require four (4) M10\*25 bolts, eight (8) M10 washers, and four (4) M10 lock nuts.



## STEP: 2

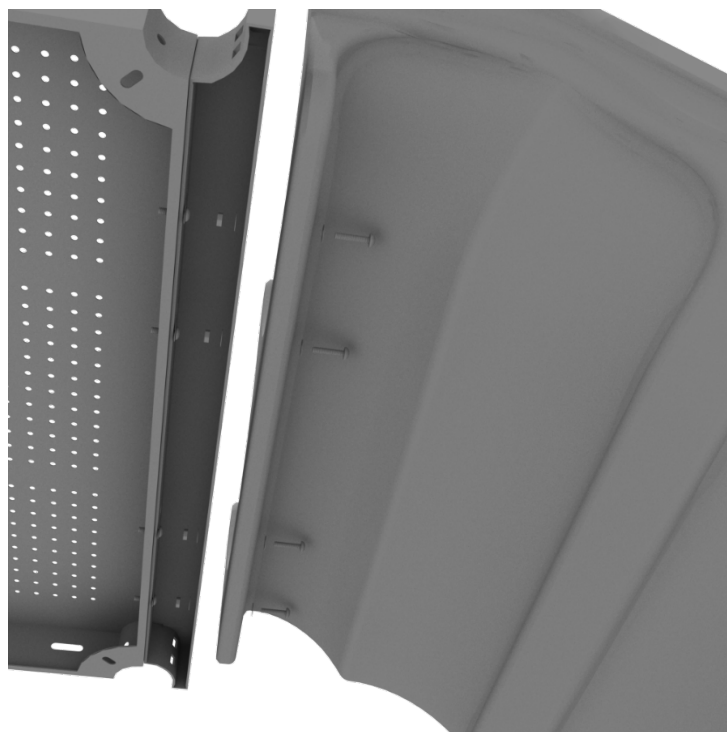
Then, See general installation guide regarding footing information for the double slide end mounts. Using two (2) M8\*20 bolts, two (2) M8 spring gaskets, and two (2) M8 washers, attach the slide end mounts to the double slide.



# 3-foot Double Straight Slide Installation

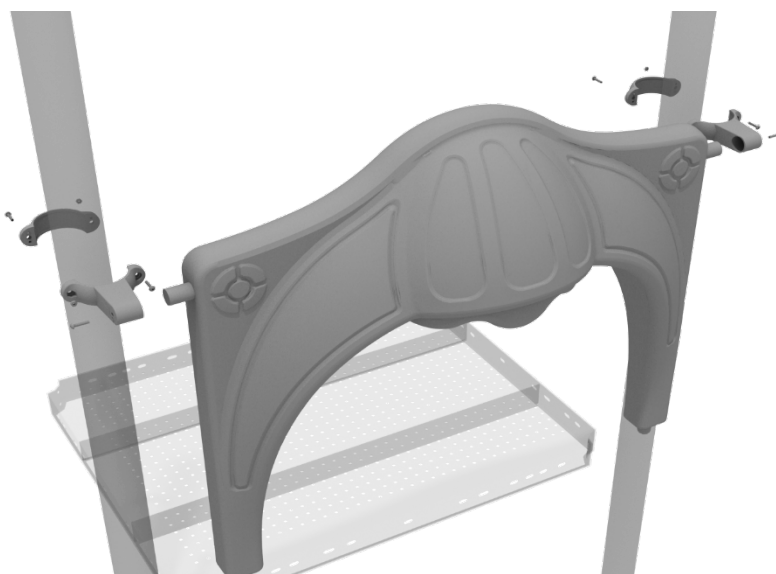
## STEP: 3

Then, attach the slide to the deck extension using four (4) M10\*45 bolts, eight (8) M10 washers, and four (4) M10 lock nuts.



## STEP: 4

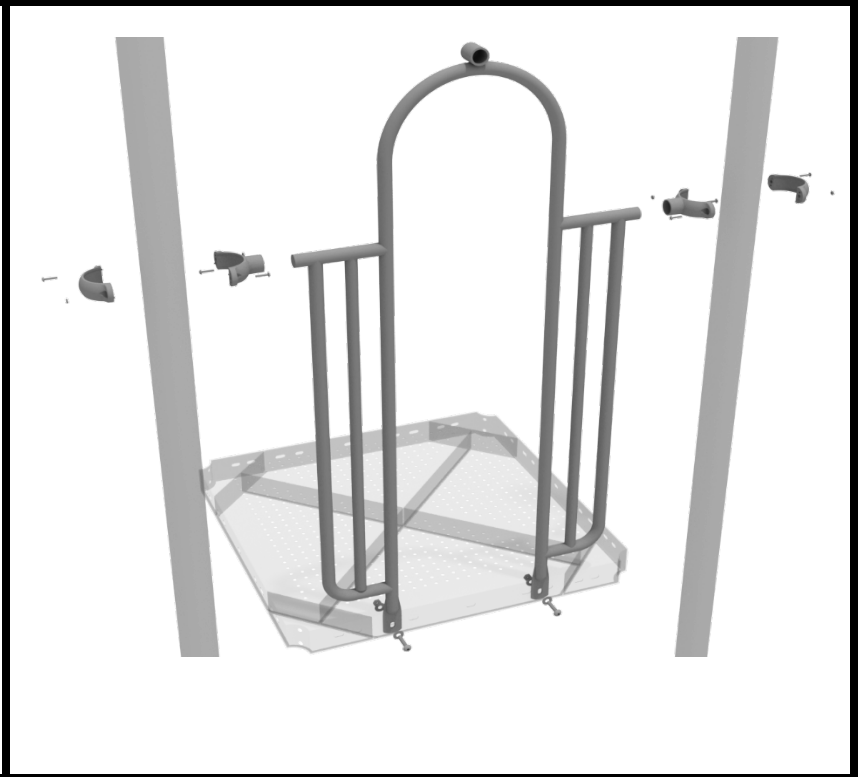
Once the slide is attached, take the double slide hood and insert it into the top of the slide, and then attach the top using two (2) double slide clamps, and two (2) M8\*30 bolts.



# 3.5-inch 2-Clamp Arch Rail Installation

## STEP: 1

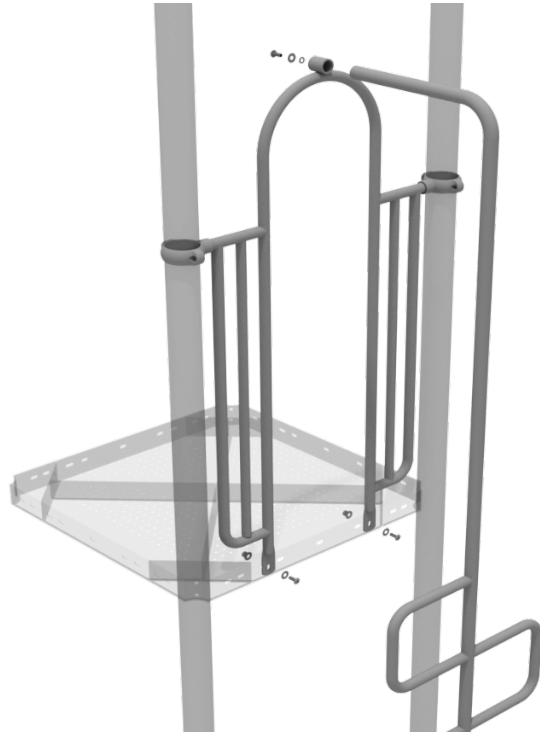
Attach the Arch Rail to the designated posts by connect half of the tube clamp to the arch rail using one (1) M8\*30 bolt. Repeat this process for each post attachment point. Then, attach the rail to the deck using two (2) M10\*25 bolts, four (4) M10 washers, and two (2) M10 lock nuts. Finally, attach the second half of the clamp around the post.



# Snake Climber Installation

## STEP: 1

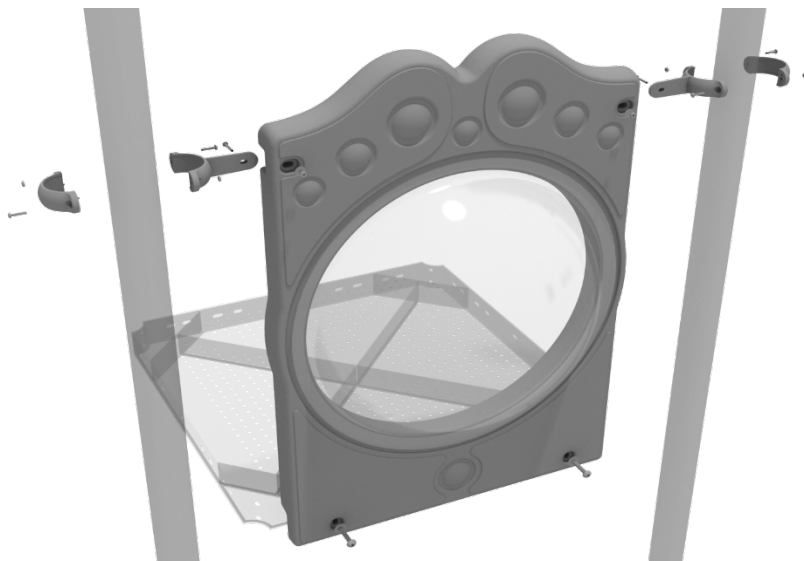
See general installation guide regarding footing information for the snake climber. Attach the top of the climber to the designated arch rail top bracket using one (1) M10\*30 bolt, one (1) M10 spring washer, and one (1) M10 washer.



## 3.5-inch Bubble Panel Installation

### STEP: 1

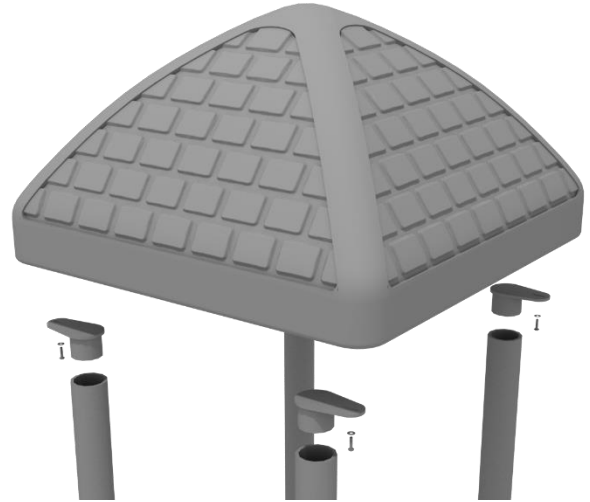
Connect the bottom of the panel to the deck using two (2) M10\*50 bolts, four (4) M10 washers, and two (2) M10 lock nuts. Then attach the top of the panel to the posts using two (2) flat clamps.



# Square Roof Install

## STEP: 1

To attach a square roof, bolt the plastic post caps to the bottom of the roof using four (4) M8\*20 bolts, and eight (8) M8 washers. Then place the roof on top of the posts and screw the caps onto the post using four (4) M4\*35 self-tapping screws.



# Freestanding Tic Tac Toe Panel Installation

## STEP: 1

Attach the Freestanding Tic Tac Toe Panel to the designated posts using four (4) Tube Clamps.

