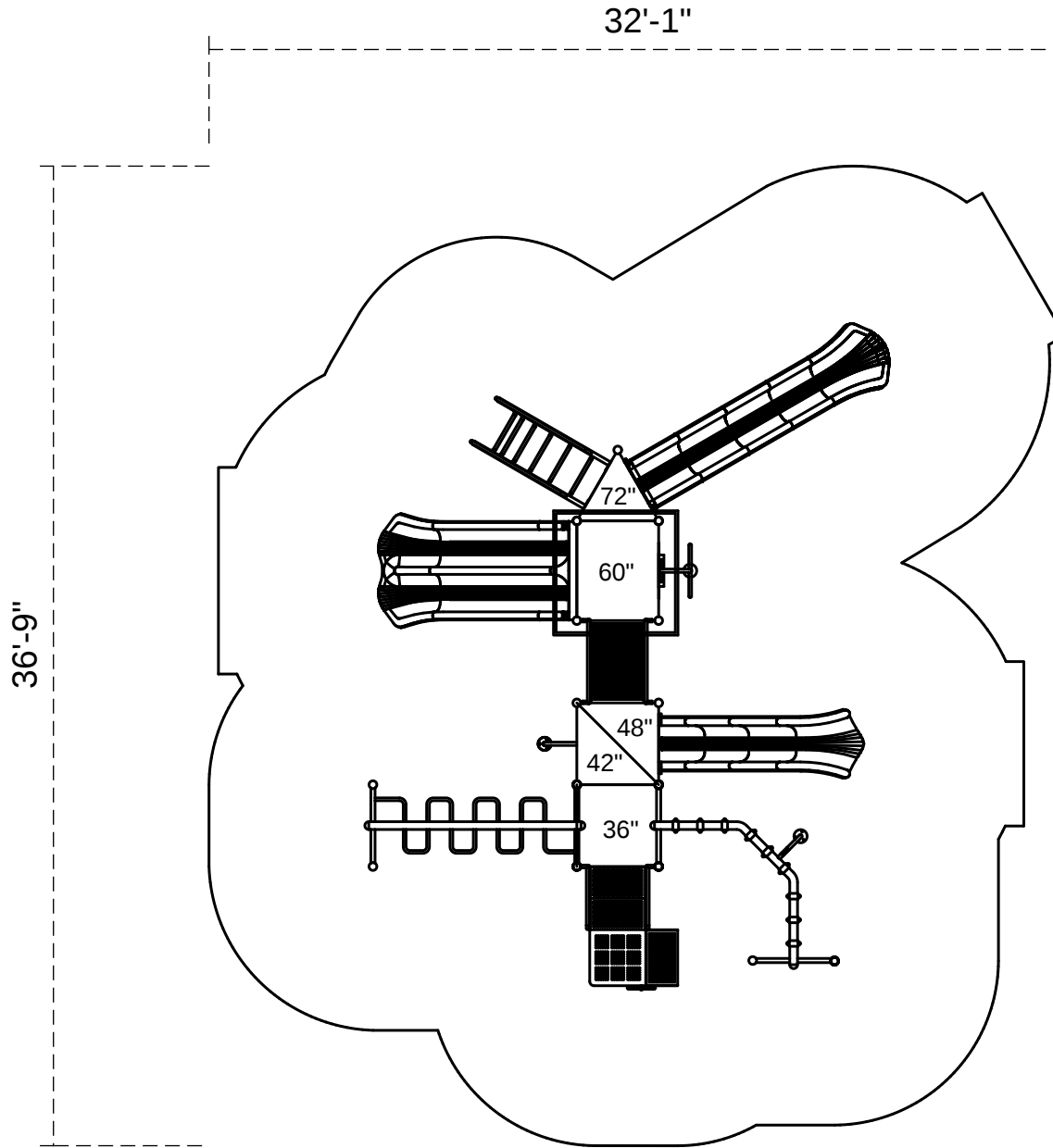


Gainesville



Footprint: 24'-10" x 19'-6"
Use Zone: 32'-1" x 36'-9"

SKU: PKP240