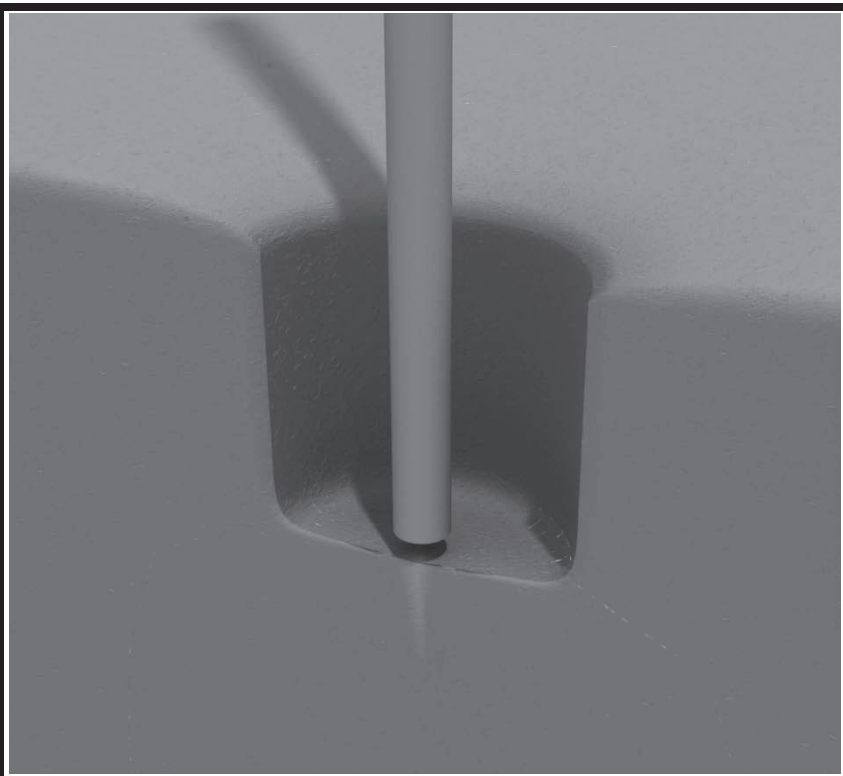


STEP: 1

**DO NOT CEMENT POSTS INTO PLACE
UNTIL THE ENTIRE STRUCTURE IS
ASSEMBLED.**

Refer to the General Installation
guide footing information and dig
proper holes for the support posts.



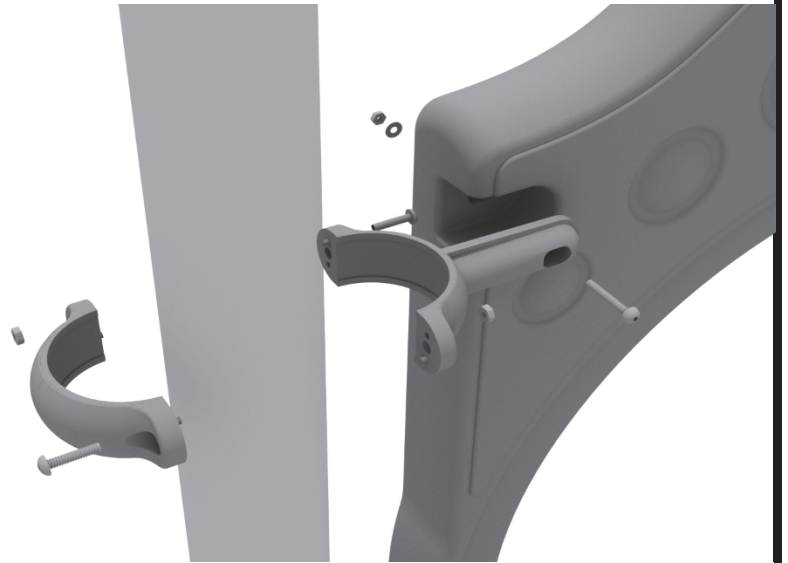
3.5-inch Clamp Installation Examples

The following three pages will include examples of how to install some of the most common types of Clamps that are present on our structures that use 3.5-inch outside diameter posts. The structure that you are assembling might not require all the types of clamps listed in these examples.

The Install Guides for specific components that come later in this document might call for a specific type of clamp (a tube clamp for example), those sections will not include detailed instructions for the clamps and should direct you back to this section for more detailed information.

3.5-inch Flat Clamp Install Example

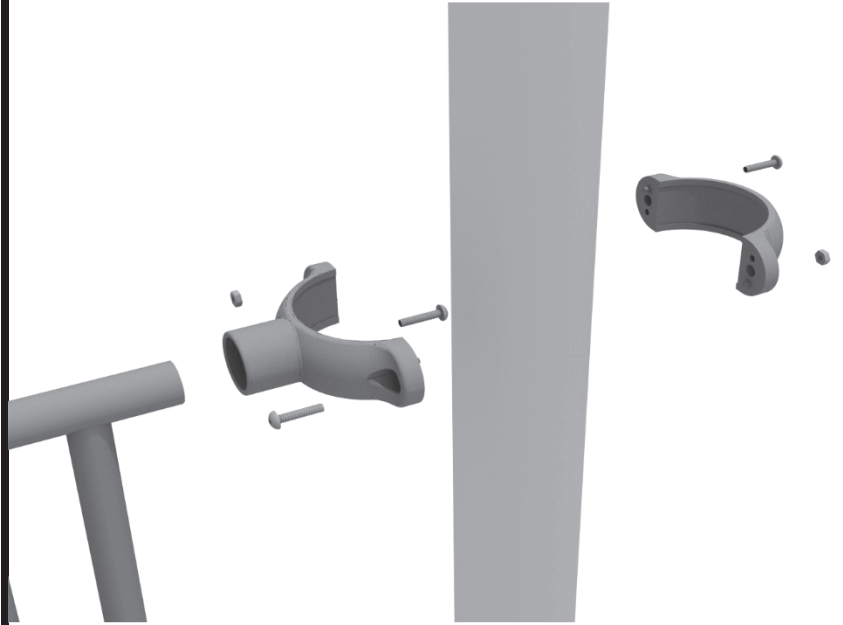
Connect half of the flat clamp to the component using one (1) M8*40 bolt. Then, using the other half of the flat clamp and the hardware provided in the clamp hardware bag, attach the backside of the flat clamp around the post.



3.5-inch Clamp Installation Examples

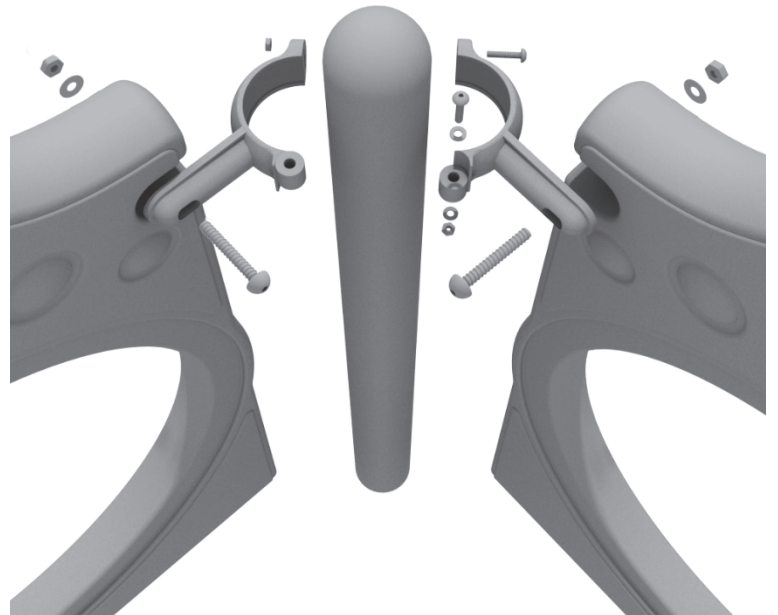
3.5-inch Tube Clamp Install Example

Connect half of the clamp to the component using one (1) M8*30 bolt. Then, using the other half of the tube clamp and the hardware provided in the clamp hardware bag, attach the backside of the tube clamp around the post.



3.5-inch 90-Degree Flat Clamp Install Example

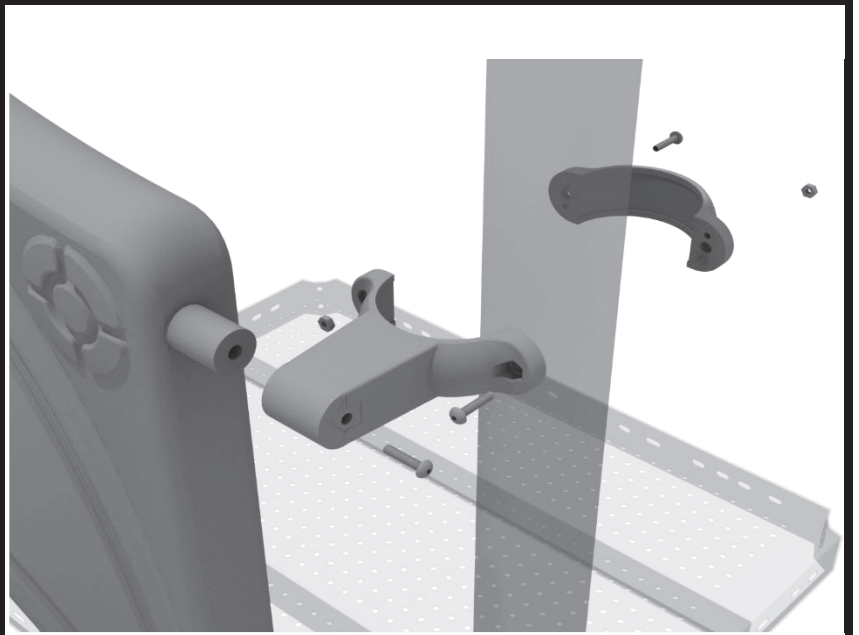
Connect half of the flat clamp to one panel using one (1) M8*40 bolt. Then, using the other half of the flat clamp and the hardware provided in the clamp hardware bag, attach the other half of the tube clamp around the post. Then, attach the next panel to the other side of the clamp using the same process.



3.5-inch Clamp Installation Examples

3.5-inch Double Slide Clamp Install Example

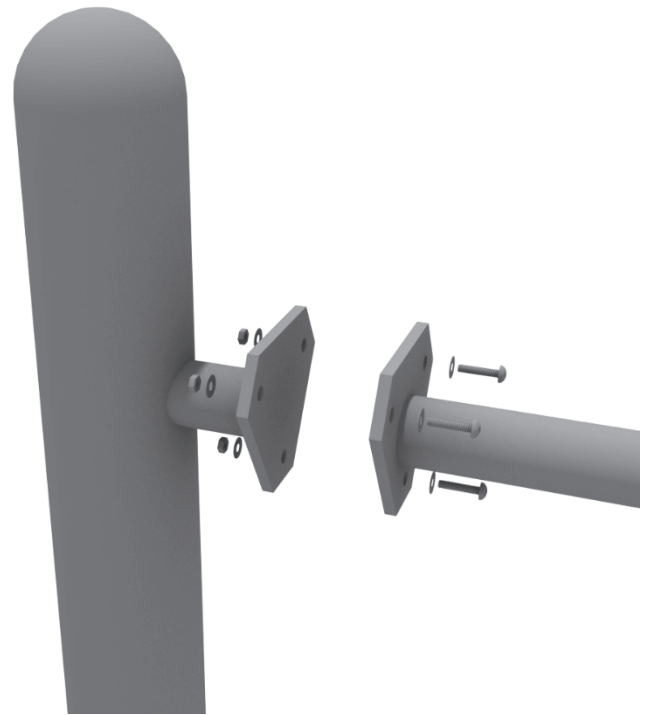
Connect half of the double slide clamp to the double slide hood using one (1) M8*30 bolt. Then, using the other half of the clamp and the hardware provided in the clamp hardware bag, attach the backside of the double slide clamp around the post.



Get Physical Series – Standard Attachment Point Installation

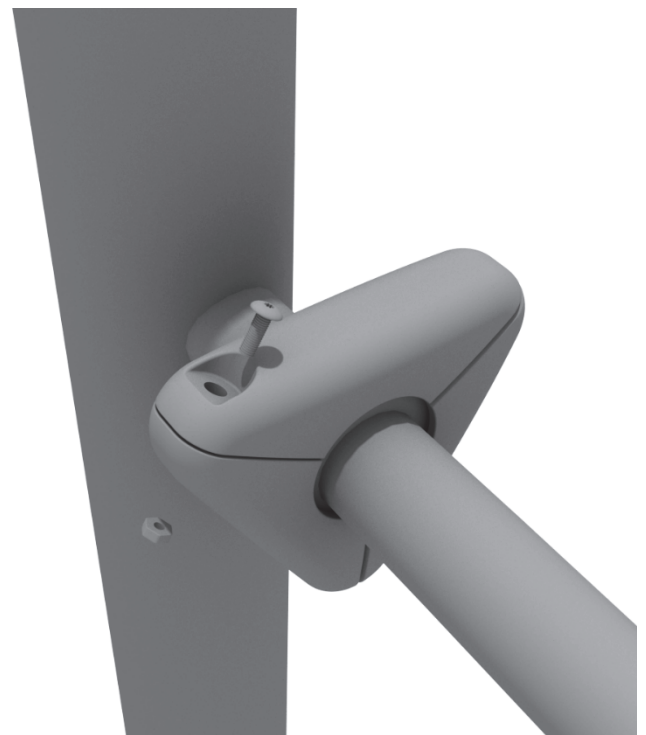
STEP: 1

Most components of a Get Physical series structure attach using this standard attachment point. Use three (3) M10*25 bolts, six (6) M10 washers, and three (3) M10 lock nuts.

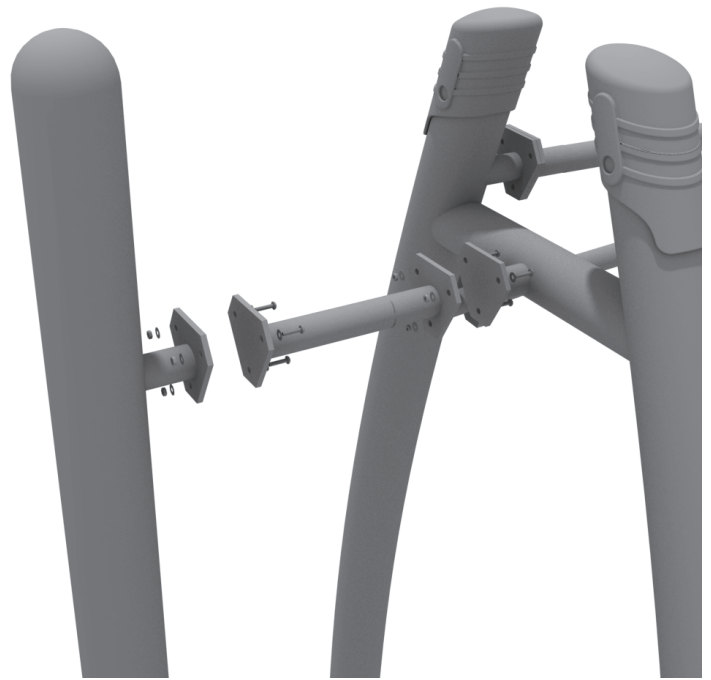


STEP: 2

Each of these attachment points has a rubber cover to protect the bolts. Attach the cover and secure using the pre-attached M8*40 bolt and M8 lock nut.



To connect any Get Physical Arch posts together. Refer to the Standard Attachment Point install section for more detailed information.



Square Deck Installation

STEP: 1

After the posts are in place, using four (4) M10*35 Bolts, eight (8) M10 Washers, and four (4) M10 Lock Nuts, attach each square deck to each pre-attached deck clamp as shown in the image.

Deck clamps are pre-attached to the posts and should not be altered in any way.



Rectangle Deck Installation

STEP: 1

After the posts are in place, using four (4) M10*35 bolts, eight (8) M10 washers, and four (4) M10 lock nuts, attach the rectangle deck to each pre-attached deck clamp as shown in the image.

Deck clamps are pre-attached to the posts and should not be altered in any way.



Half Hex Deck Installation

STEP: 1

After the posts are in place, using five (5) M10*35 bolts, ten (10) M10 washers, and five (5) M10 lock nuts, attach the deck to each pre-attached deck clamp as shown in the image.

Deck clamps are pre-attached to the posts and should not be altered in any way.



36" Transfer Station (for 3.5" post) Install

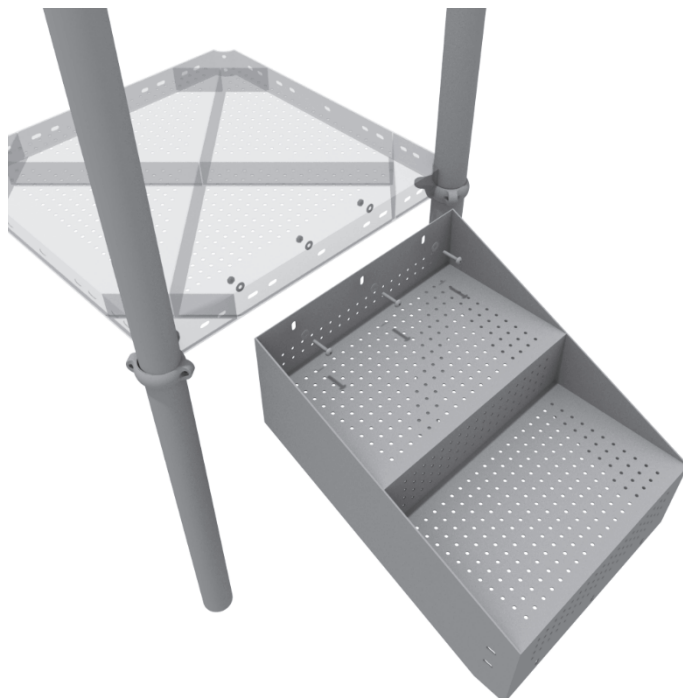
STEP: 1

Connect half of the 3.5-inch tube clamp to the handrail using one (1) M8*30 bolt. Set the handrail into place, then attach the second half of the clamp using the hardware provided in the clamp bag. Repeat this process for the other handrail.



STEP: 2

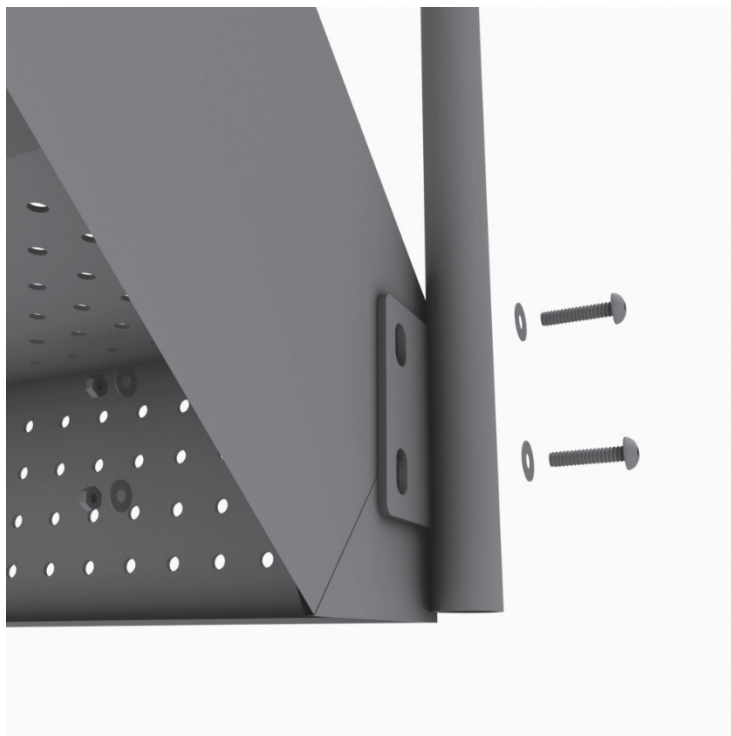
Using three (3) M10*25 bolts, six (6) M10 washers, and three (3) M10 lock nuts, attach the top of the stairs to the square deck.



36" Transfer Station (for 3.5" post) Install

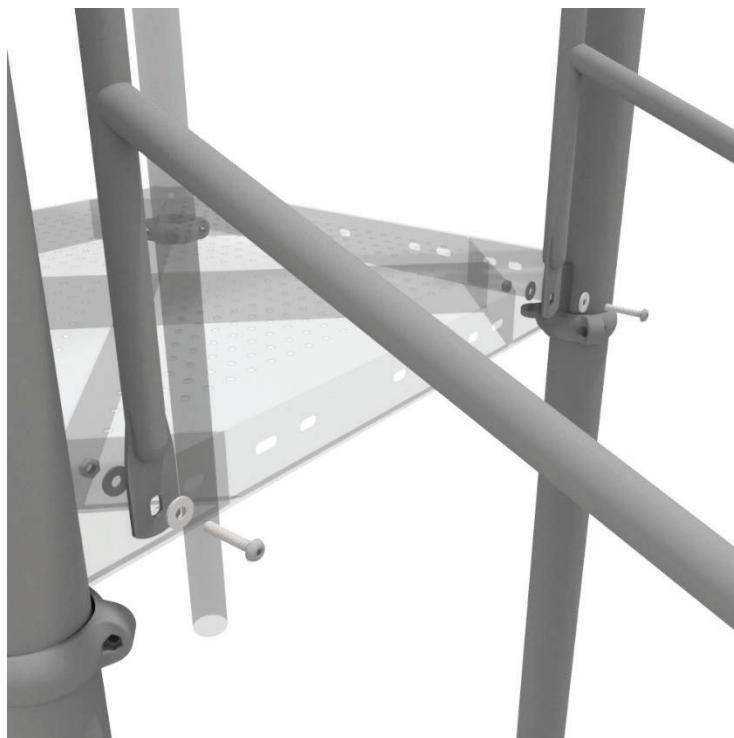
STEP: 3

Using four (4) M10*25 bolts, eight (8) M10 washers, and four (4) M10 lock nuts, connect the bottom of the handrails to the bottom of the 3-foot transfer stair.



STEP: 4

Using two (2) M10*25 bolts, four (4) M10 washers, two (2) lock nuts, attach the handrail to the square deck.



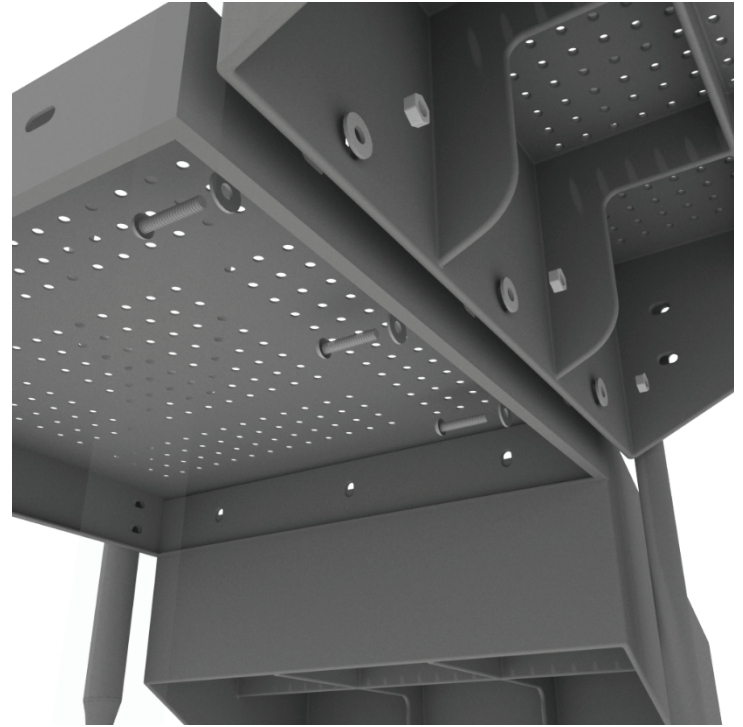
10859 Washington St.
Suite 200, Indianapolis, IN
1-800-667-0097

Created By: Aaron Price
Date Modified: 3/13/18

36" Transfer Station (for 3.5" post) Install

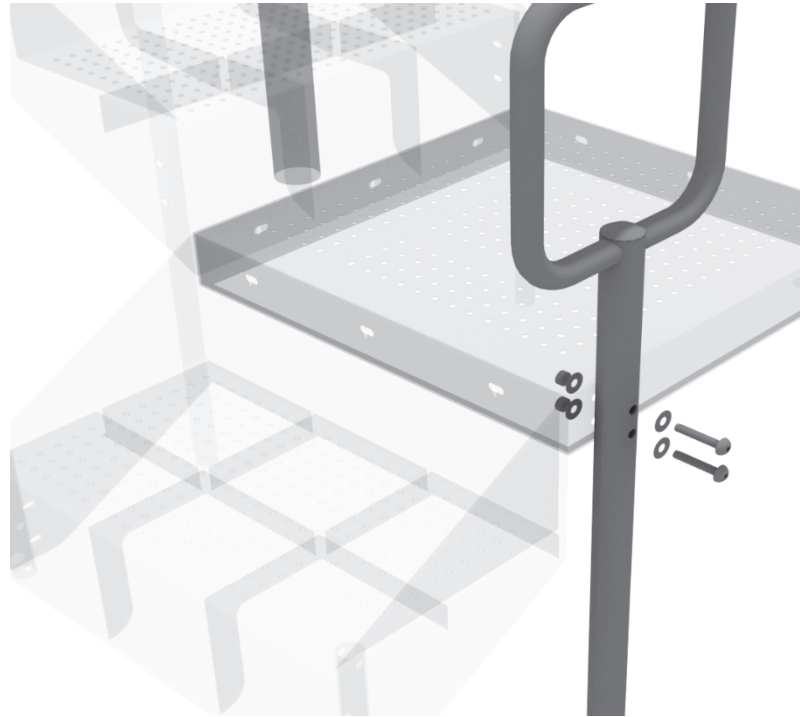
STEP: 5

Using three (3) M10*25 bolts, six (6) M10 washers, and three (3) M10 lock nuts, attach the ADA transfer deck to the base of the 3-foot ADA transfer stair.



STEP: 6

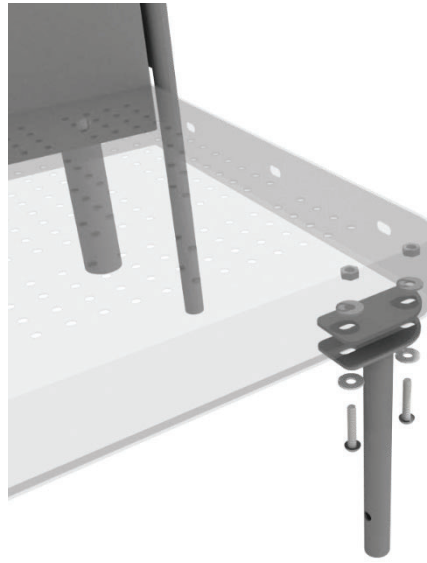
See general installation guide regarding footing information for the transfer deck handrail & mount. Using two (2) M10*65 bolts, four (4) M10 washers, and two (2) M10 lock nuts, attach the transfer handrail to the ADA transfer deck.



36" Transfer Station (for 3.5" post) Install

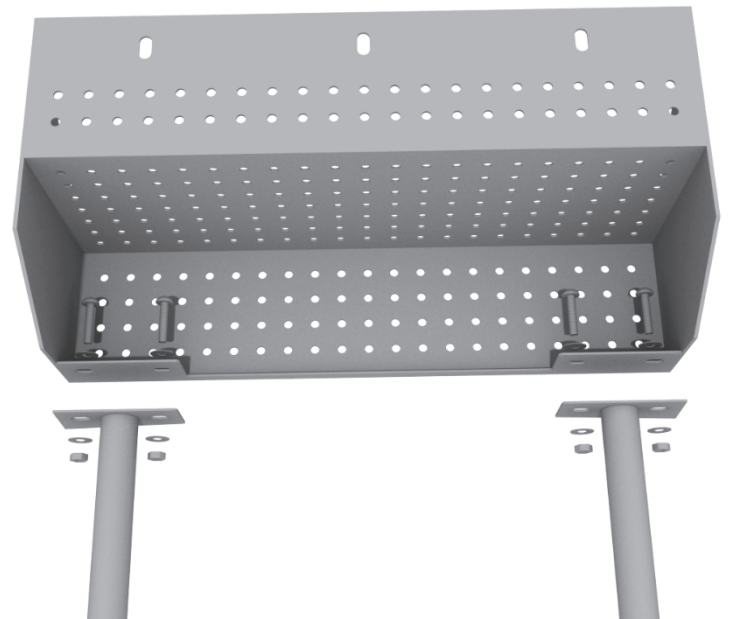
STEP: 7

Using two (2) M10*25 bolts, four (4) M10 washers, and two (2) lock nuts, attach the transfer deck mount to the ADA transfer deck.



STEP: 8

See general installation guide regarding footing information for the ADA transfer step mount. Using two (2) M10 bolts, four (4) M10 washers, and two (2) M10 lock nuts, attach the transfer step to each ADA transfer step mount.



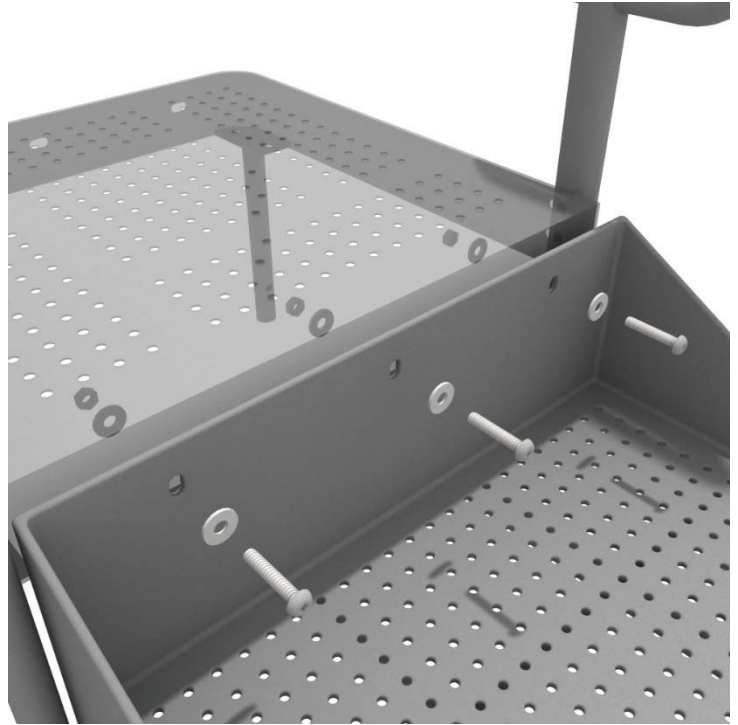
10859 Washington St.
Suite 200, Indianapolis, IN
1-800-667-0097

Created By: Aaron Price
Date Modified: 3/13/18

36" Transfer Station (for 3.5" post) Install

STEP: 9

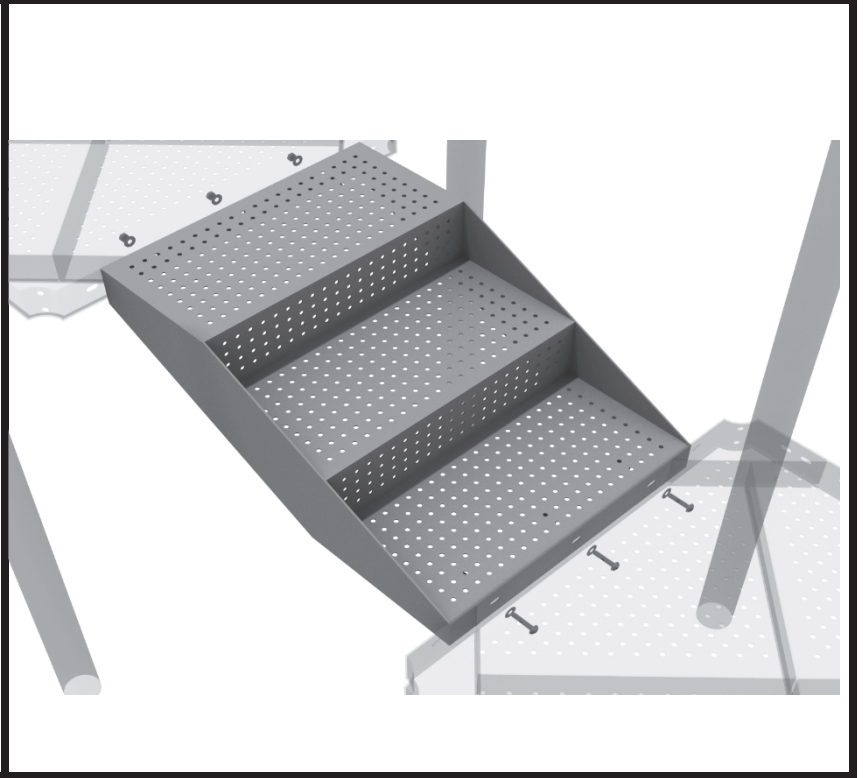
Using three (3) M10*25 bolts, six (6) M10 washers, and three (3) M10 washers, attach the top of the ADA transfer step to the ADA transfer deck.



12-inch Middle Stair Installation

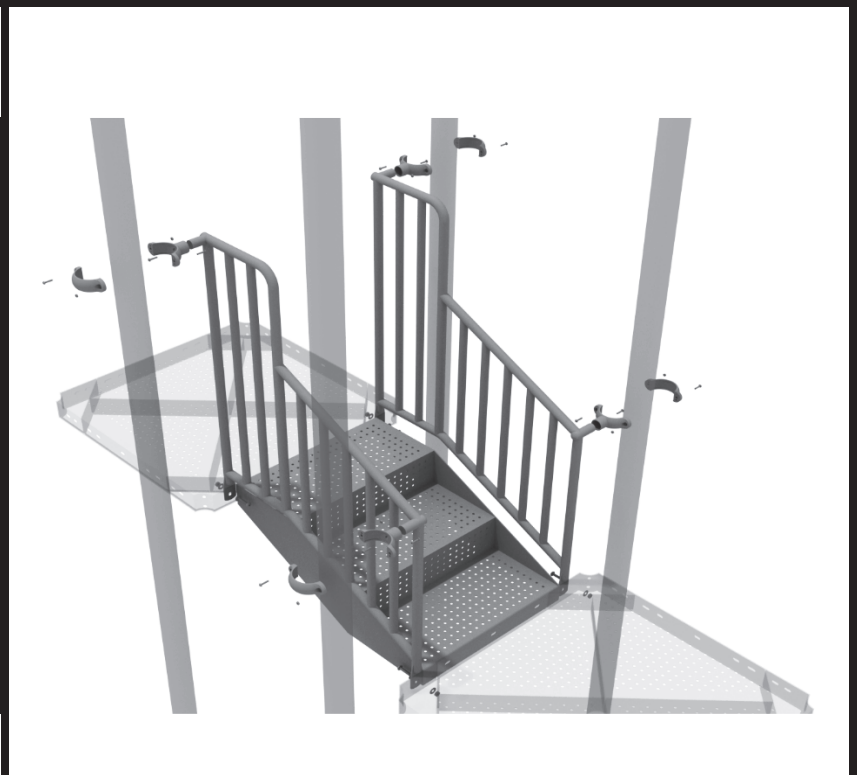
STEP: 1

Using six (6) M10*25 bolts, twelve (12) M10 washers, and six (6) M10 lock nuts, attach the 12-inch middle stair to the assigned decks.



STEP: 2

Then, once the stair is in place, attach the 12-inch connection handrail to the posts using four (4) 3.5-inch tube clamps, and four (4) M8*30 bolts. Then, attach the bottom of the handrails to the decks using one (1) M10*25 bolt, two (2) M10 washers, and one (1) M10 lock nut for each attachment point.



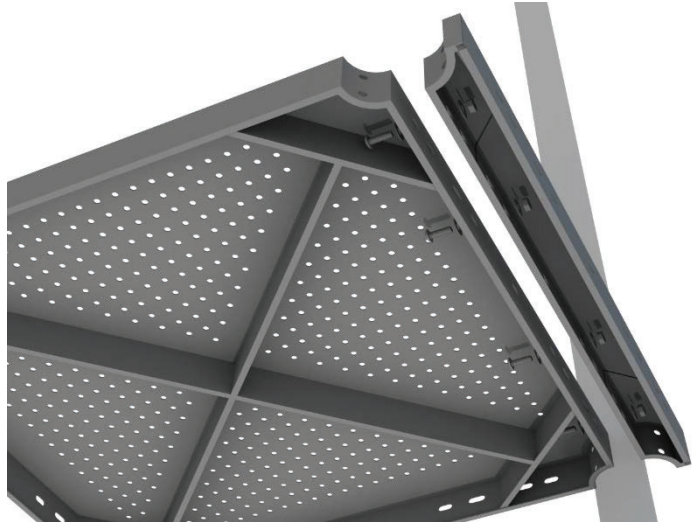
10859 Washington St.
Suite 200, Indianapolis, IN
1-800-667-0097

Created By: Aaron Price
Date: 03/29/2018

3-foot Double Straight Slide Installation

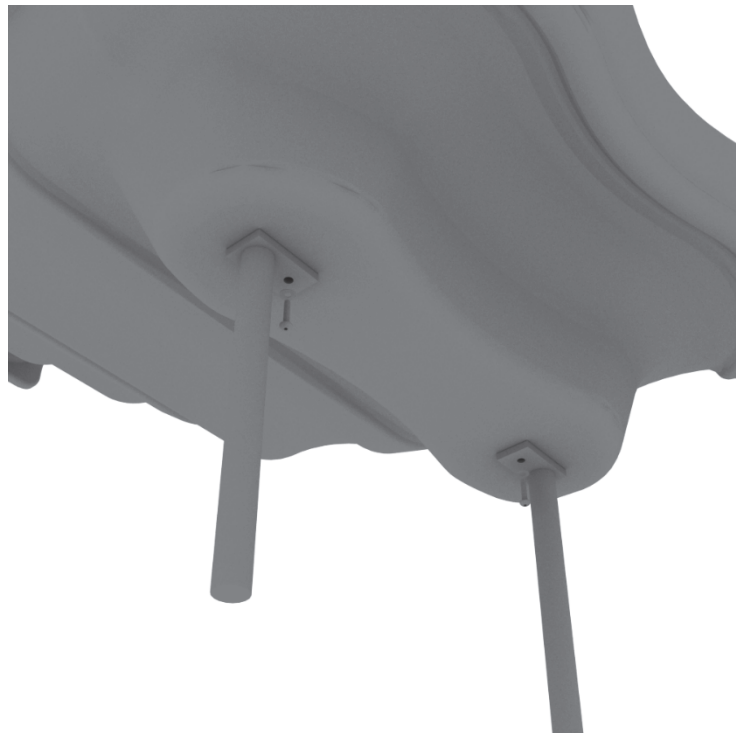
STEP: 1

For the double slide, you will first need to attach the double slide deck extension. This will require four (4) M10*25 bolts, eight (8) M10 washers, and four (4) M10 lock nuts.



STEP: 2

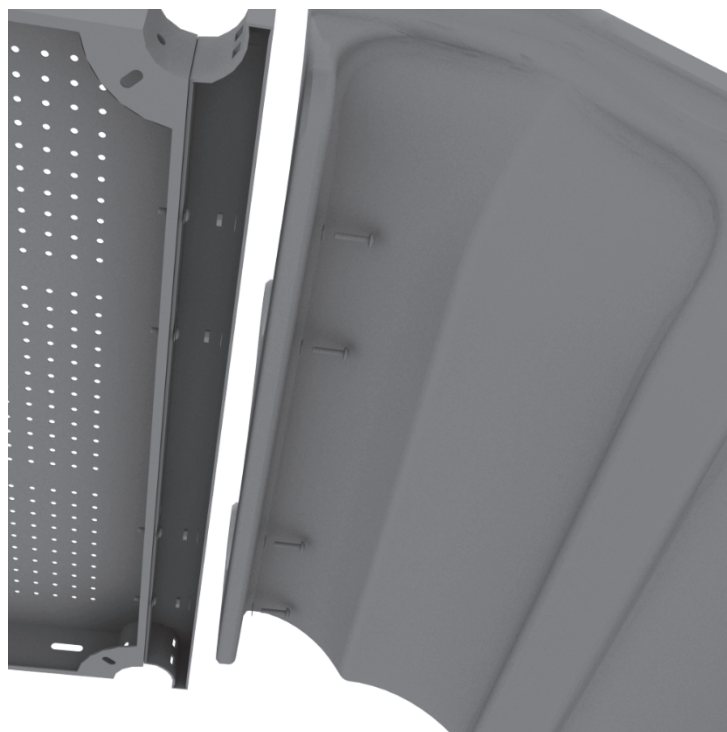
Then, See general installation guide regarding footing information for the double slide end mounts. Using two (2) M8*20 bolts, two (2) M8 spring gaskets, and two (2) M8 washers, attach the slide end mounts to the double slide.



3-foot Double Straight Slide Installation

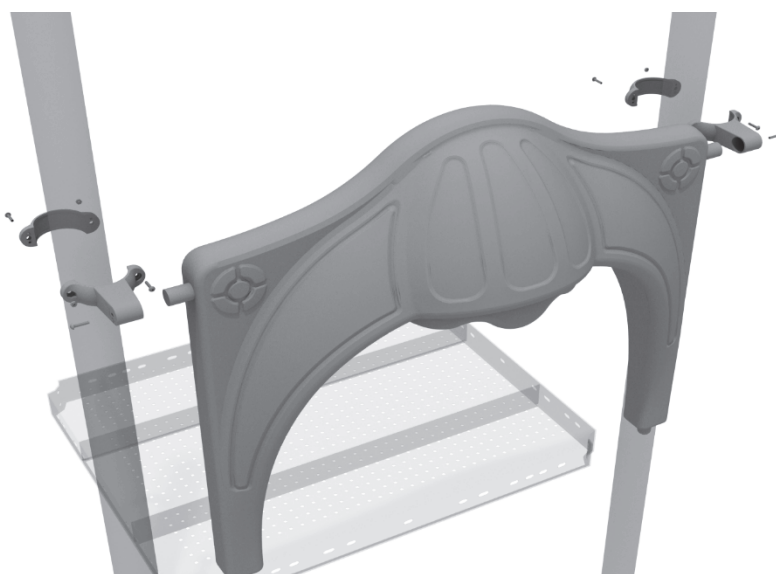
STEP: 3

Then, attach the slide to the deck extension using four (4) M10*45 bolts, eight (8) M10 washers, and four (4) M10 lock nuts.



STEP: 4

Once the slide is attached, take the double slide hood and insert it into the top of the slide, and then attach the top using two (2) double slide clamps, and two (2) M8*30 bolts.



Triple Slide Hood Install

STEP: 1

Using on site tools level and drill holes to attach triple slide hood via two (2) flat clamps. Connect half of the flat clamp to the component using one (1) M8*35 bolt, two (2) washers and one (1) Lock Nut. Then, using the other half of the flat clamp and the hardware provided in the clamp hardware bag, attach the backside of the flat clamp around the post.



6-Foot Right Turn Slide Installation

Step 1

Using the hardware pre-attached to the slide, connect the two sections of the slide together.



Step 2

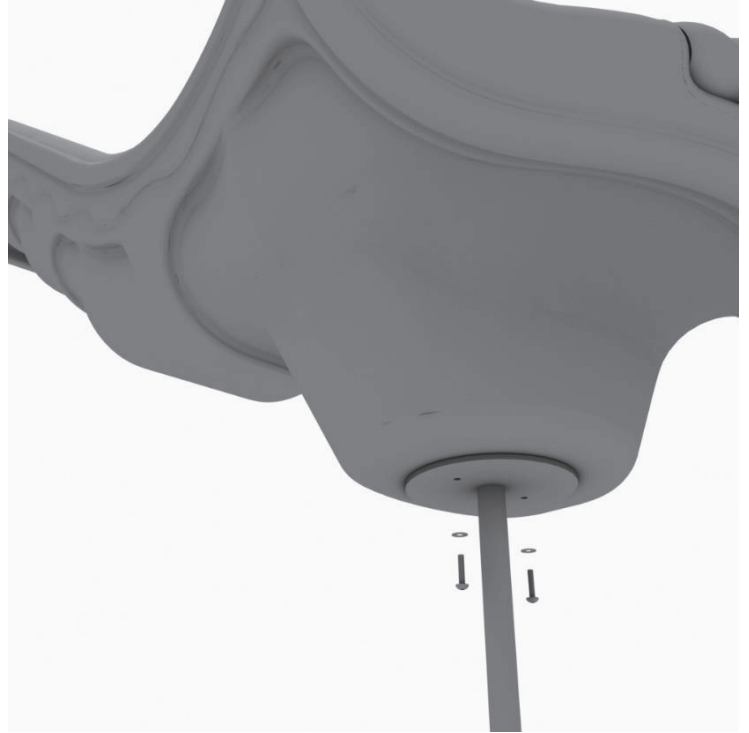
See general installation guide footing information regarding installation of the middle supports, and slide end mount. Insert the middle support into the designated slot under the slide, and tighten the set screws using the provided allen wrench. Repeat this process for the other slide support post.



6-Foot Right Turn Slide Installation

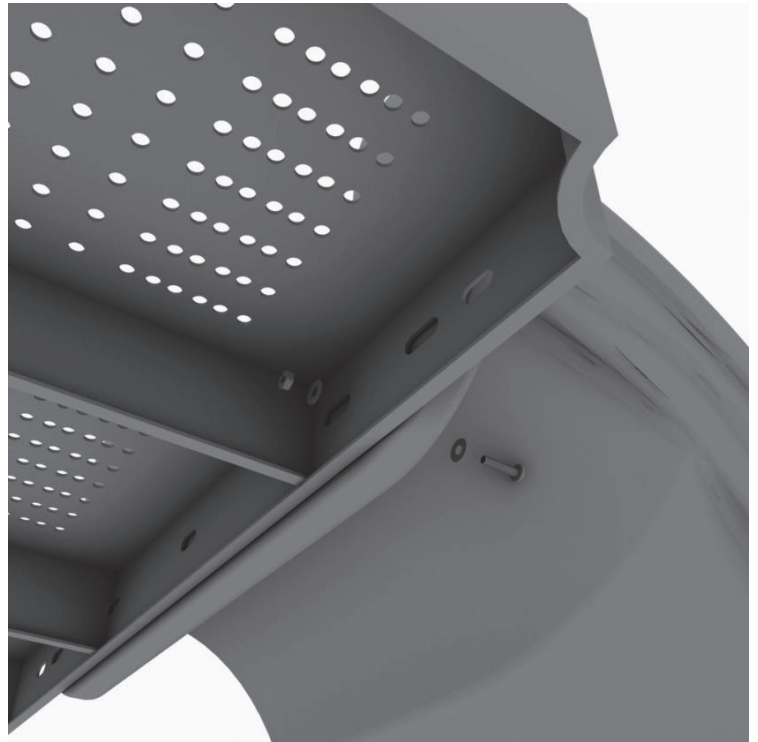
Step 3

Using two (2) M8*20, two (M8) spring gaskets, and two (2) M8 washers, attach the slide to the slide end mount.



Step 4

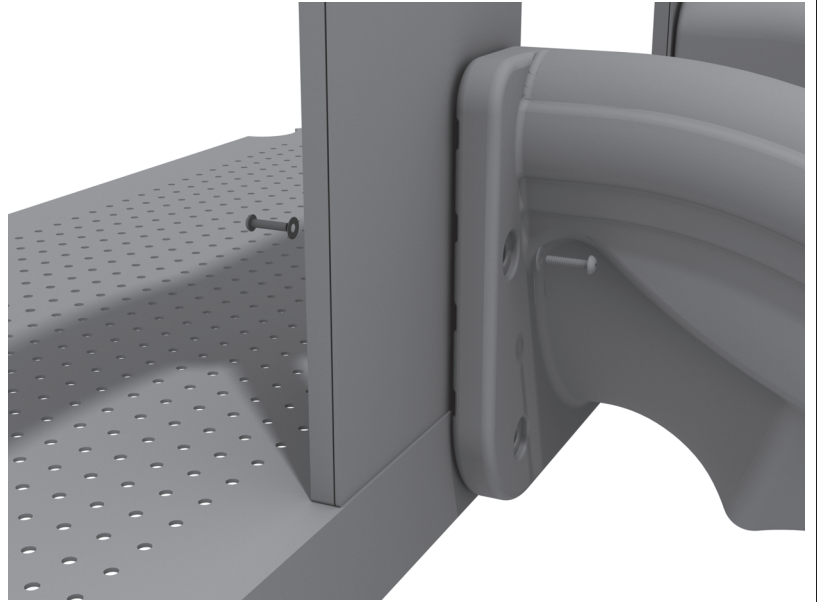
Using one (1) M10*45 bolt, two (2) M10 washers, and two (2) M10 lock nuts, attach one side of the slide to the deck. Repeat the process for the other side of the slide.



6-Foot Right Turn Slide Installation

Step 5

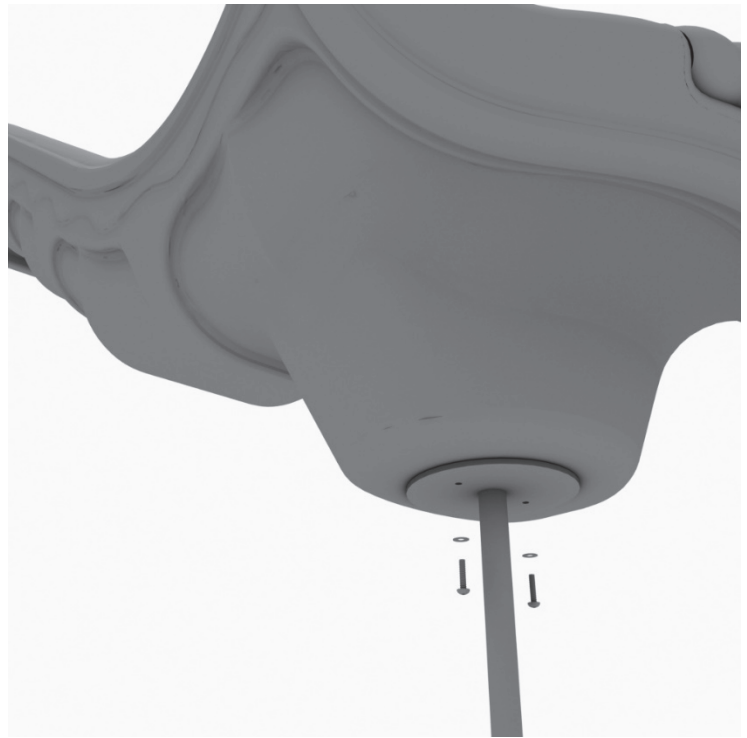
Using two (2) M8*45 bolts, two (2) M8 washer, two (2) M12 washers, and one (1) M12 inner hex spiral nut, attach the slide to the slide hood. Repeat this process for the other side of the slide.



6-foot Single Straight Slide Installation

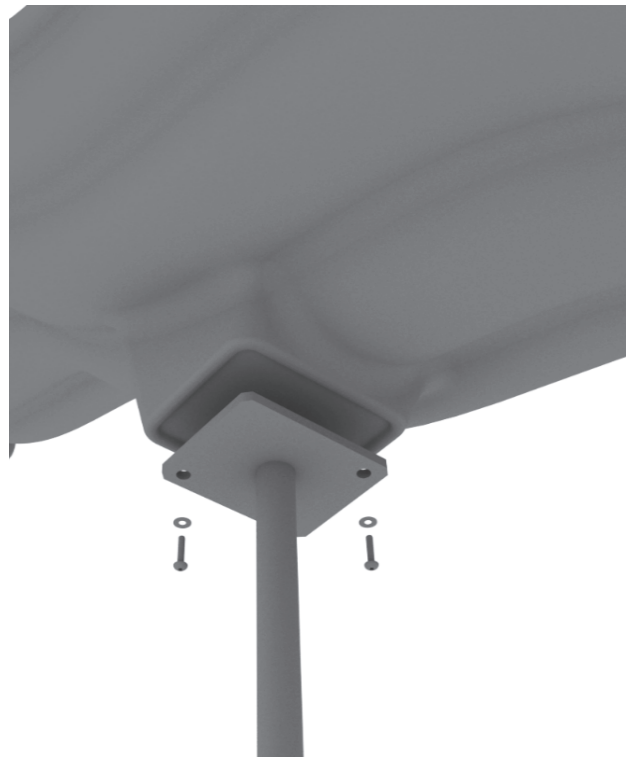
STEP: 1

See general installation guide regarding footing information for the slide end mount. Using two (2) M8*20, two (M8) spring washers. And two (2) M8 washers, attach the slide to the slide support post.



STEP: 2

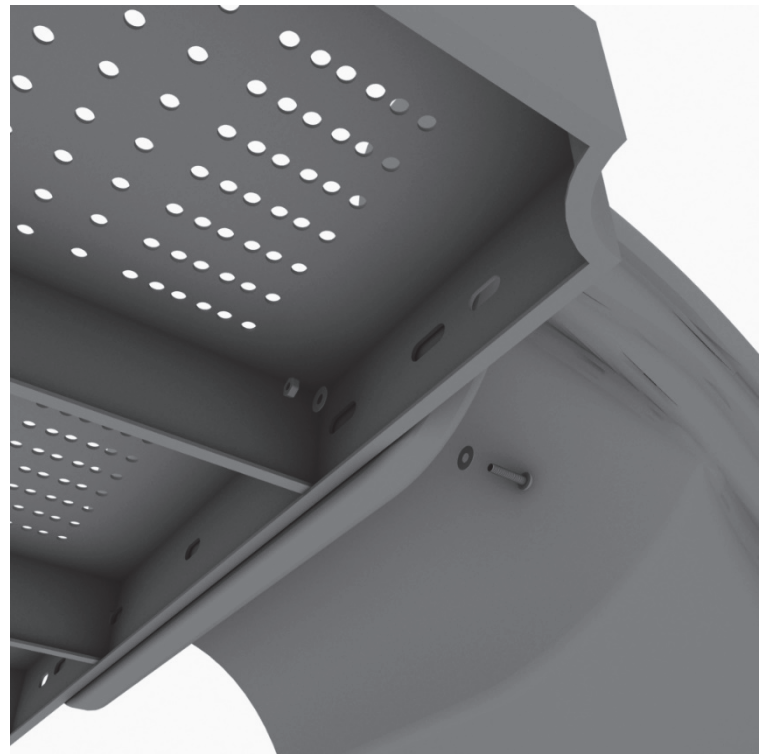
See general installation guide regarding footing information for the middle slide support. Using two (2) M8*20 bolts, two (2) M8 spring washers, and two (2) M8 washers, attach the middle slide support post. Repeat the process for each middle slide mount.



6-foot Single Straight Slide Installation

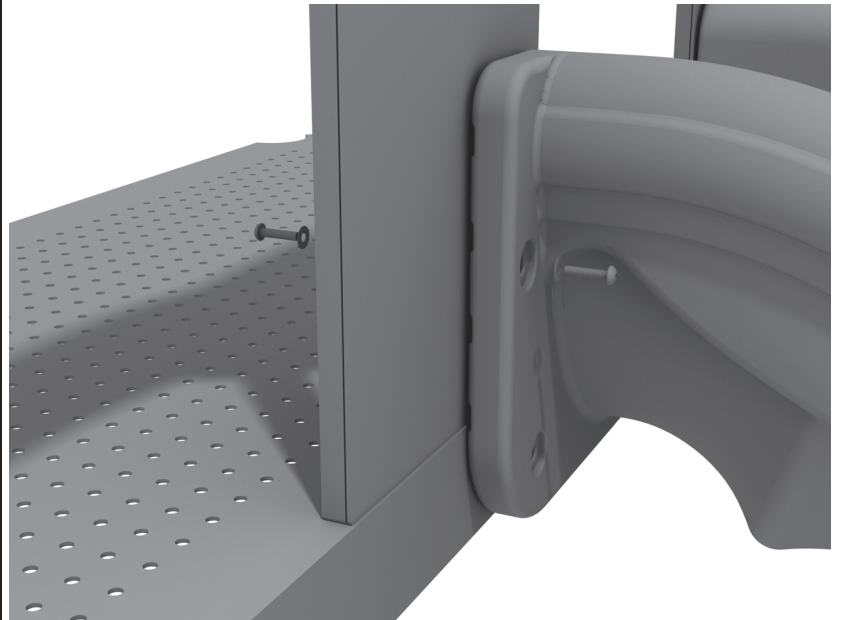
STEP: 3

To attach a single slide to a deck, use two (2) M10*45 bolts, four (4) M10 washers, and two (2) M10 lock nuts. Repeat this process for the other side of the slide. Repeat this process for each single slide.



STEP: 4

Using two (2) M8*45 bolts, two (2) M8 washer, two (2) M12 washers, and one (1) M12 inner hex spiral nut, attach the slide to the slide hood. Repeat this process for the other side of the slide.



6-Foot Left Turn Slide Installation

Step 1

Using the hardware pre-attached to the slide, connect the two sections of the slide together.



Step 2

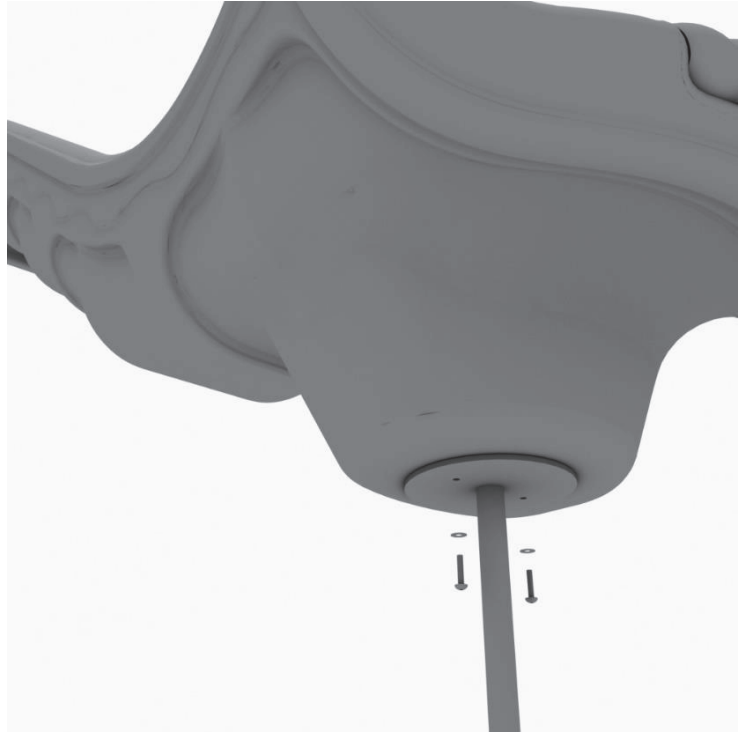
See general installation guide footing information regarding installation of the middle supports, and slide end mount. Insert the middle support into the designated slot under the slide, and tighten the set screws using the provided allen wrench. Repeat this process for the other slide support post.



6-Foot Left Turn Slide Installation

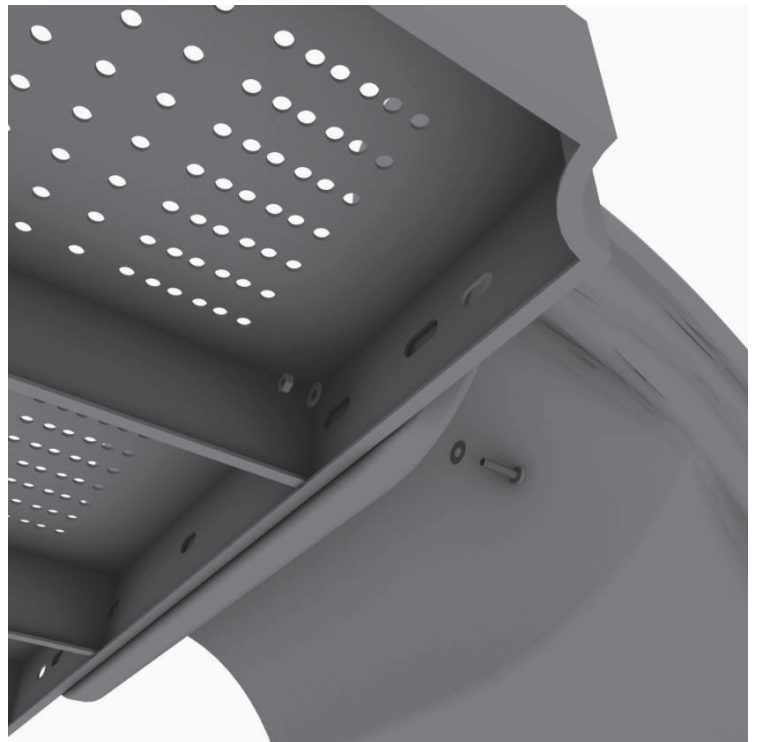
Step 3

Using two (2) M8*20, two (M8) spring gaskets, and two (2) M8 washers, attach the slide to the slide end mount.



Step 4

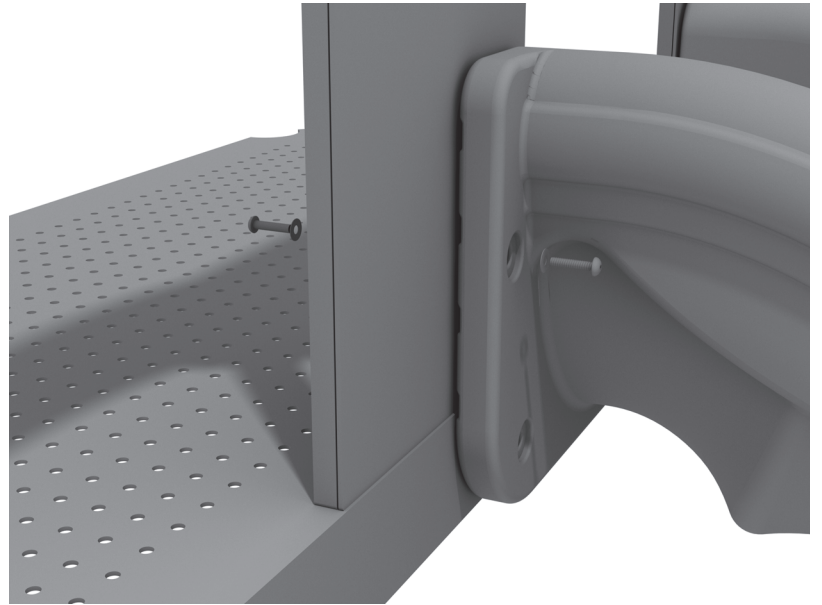
Using one (1) M10*45 bolt, two (2) M10 washers, and two (2) M10 lock nuts, attach one side of the slide to the deck. Repeat the process for the other side of the slide.



6-Foot Left Turn Slide Installation

Step 5

Using one (1) M8*45 bolt, one (1) M8 washer, one (1) M12 washer, and one (1) M12 Inner hex spiral nut, attach the slide to one side of the slide hood. Repeat this process for the other side of the slide. Make sure all bolts are properly tightened.



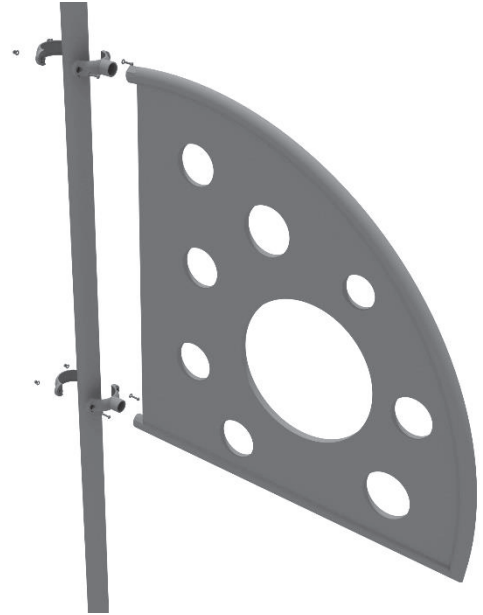
STEP: 1

Connect the Overhead Climber Adapter to the appropriate posts via the supplied tube clamp. Please refer to the Clamps Install section for more detailed information.



STEP: 1

Connect the PE Climber Attachment to the appropriate posts via the Standard Attachment Points with the supplied Tube Clamps. Please refer to the Clamps Install section for more detailed information.



Get Physical Series - Tower of Rings Install

STEP: 1

To set up the Tower of Rings, first attach the top bars. Use three (3) M10*25 bolts, six (6) M10 washers, and three (3) M10 lock nuts for each attachment point.



STEP: 2

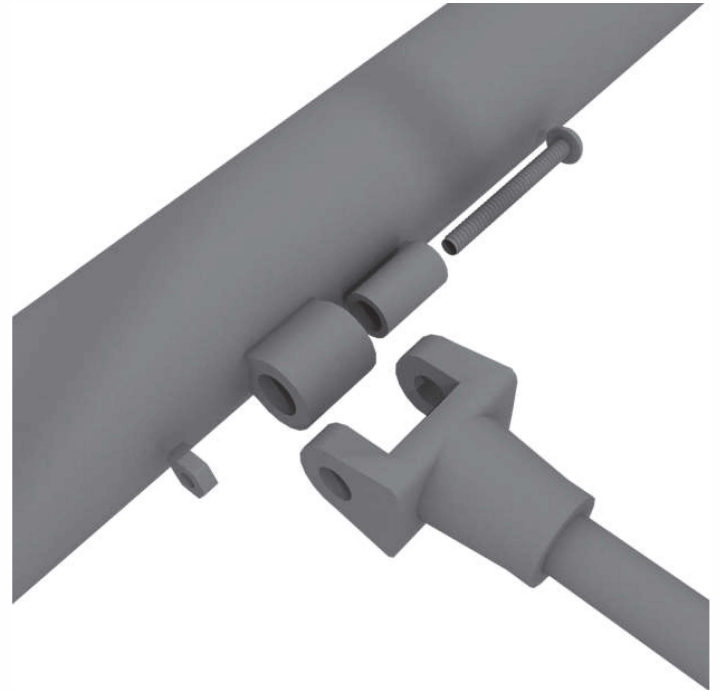
**Do not cement post until
Floating rings are installed on
structure.**



Get Physical Series - Tower of Rings Install

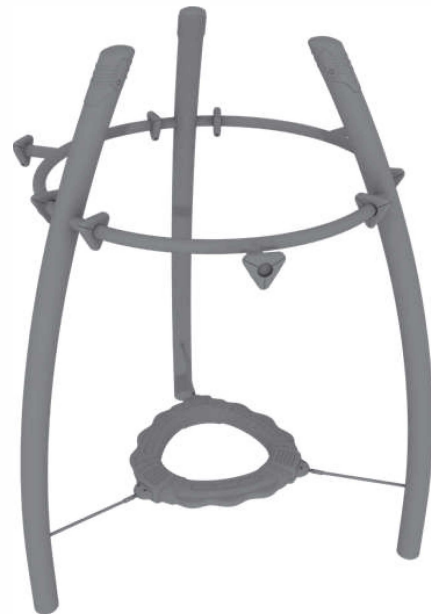
STEP: 3

To install the floating rings, connect the rings to the post using one (1) M8*50 bolt, two (2) plastic spacers, and one (1) M8 lock nut for each attachment point.



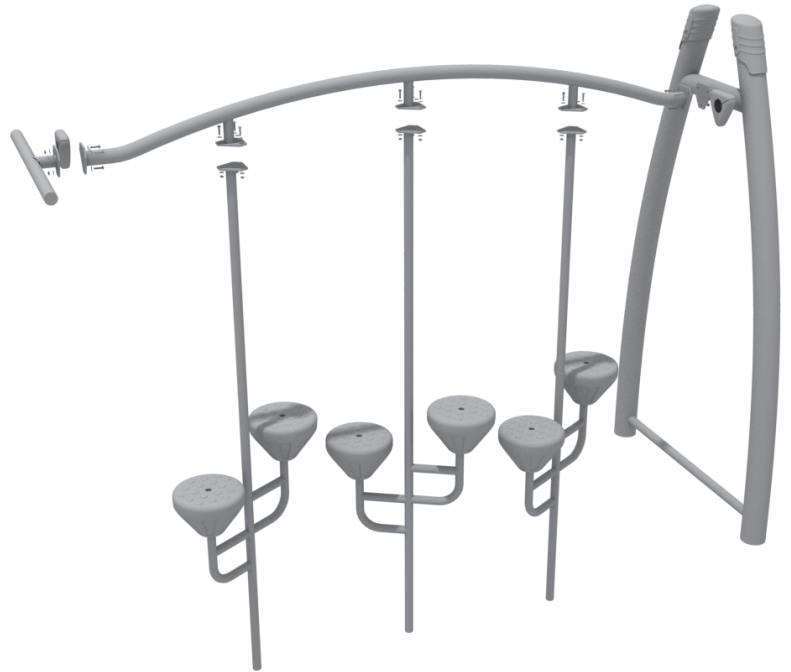
STEP: 4

Repeat for the remaining floating rings.



Get Physical Pebble Bridge Install

Connect the Pebble Bridge top rail to the appropriate posts via the Standard Attachment Point. Refer to the Standard Attachment Point install section for more detailed information. Dig suitable footings for each of the pebble steps. Please refer to the footing section for climbers in the General Installation Instructions document.



Jungle Climber Installation

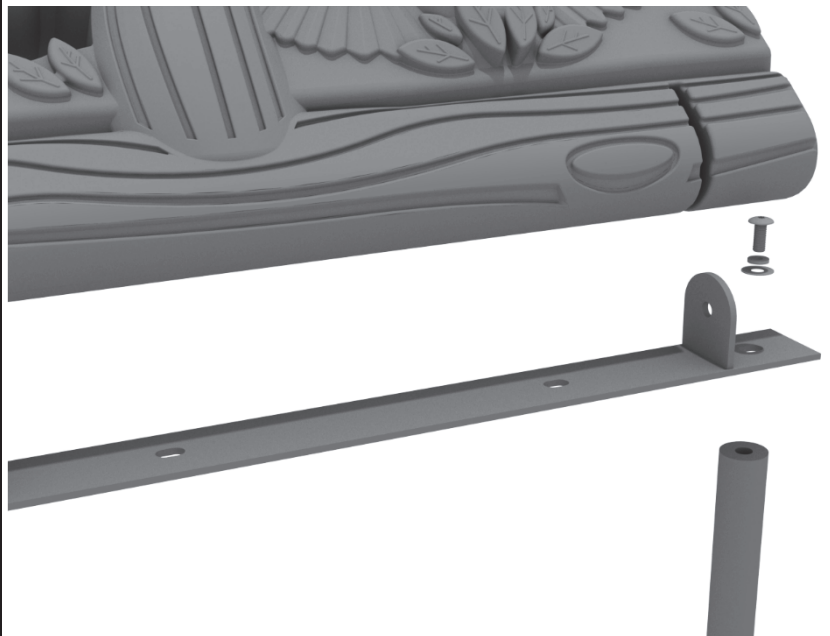
STEP: 1

First, detach the pre-attached bracket on the end of the climber that has four (4) Bolts attached, and attach it to the designated deck.



STEP: 2

Then, attach the provided support mounts to the other side of the Jungle Climber using the pre-attached bolt. See general installation guide regarding footing information for the figure climber.



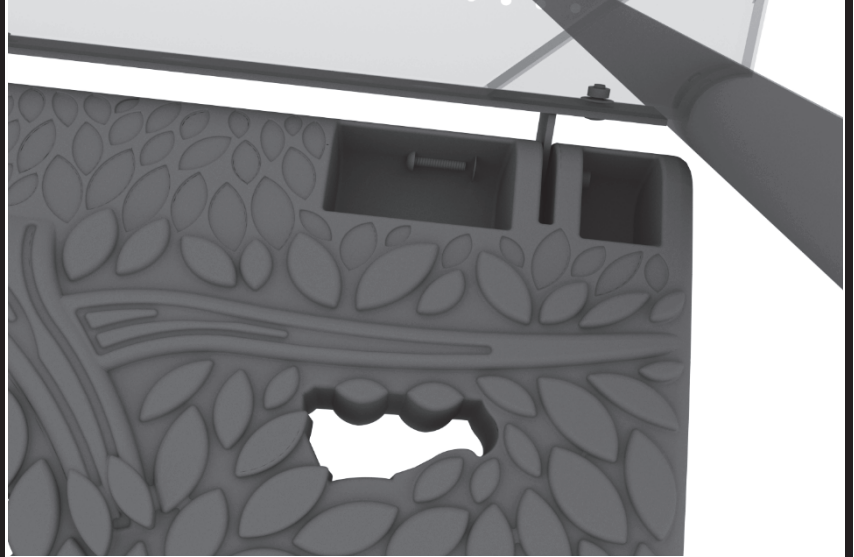
10859 Washington St.
Suite 200, Indianapolis, IN
1-800-667-0097

Created By: Derick H
Date: 09/12/2018

Jungle Climber Installation

STEP: 3

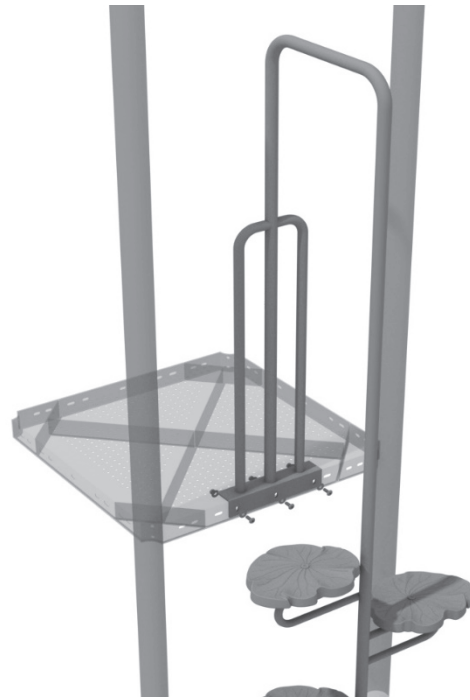
Finally, re-attach the climber back to the mounting plate using the original pre-attached hardware.



Straight Lotus Climber Installation

STEP: 1

See general installation guide regarding footing information for the Straight Lotus climber. Using three (3) M10*25 bolts, six (6) M10 washers, and three (3) M10 lock nuts, attach the Lotus climber to the square deck.



Net Climber Install Guide

STEP: 1

See general installation guide regarding footing information for climbers.

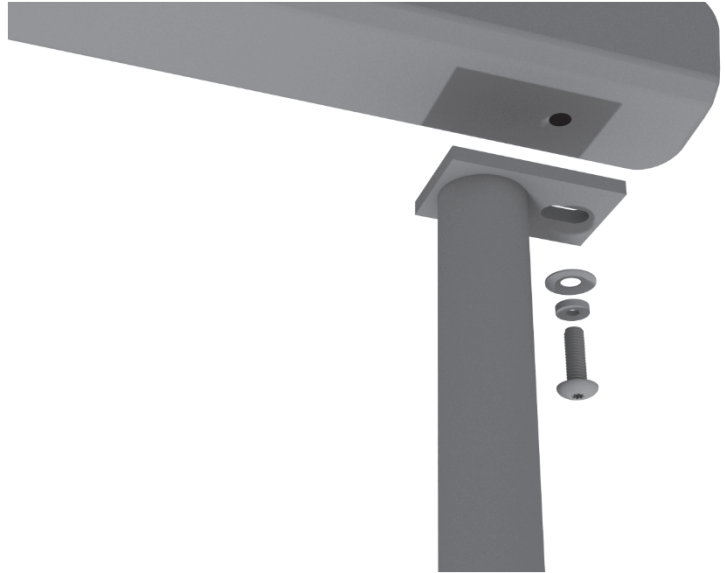
Using two (2) M10*60 bolts, four (4) M10 washers, and two (2) M10 lock nuts, attach the Net Climber to the deck.



Sea Creature Climber Installation

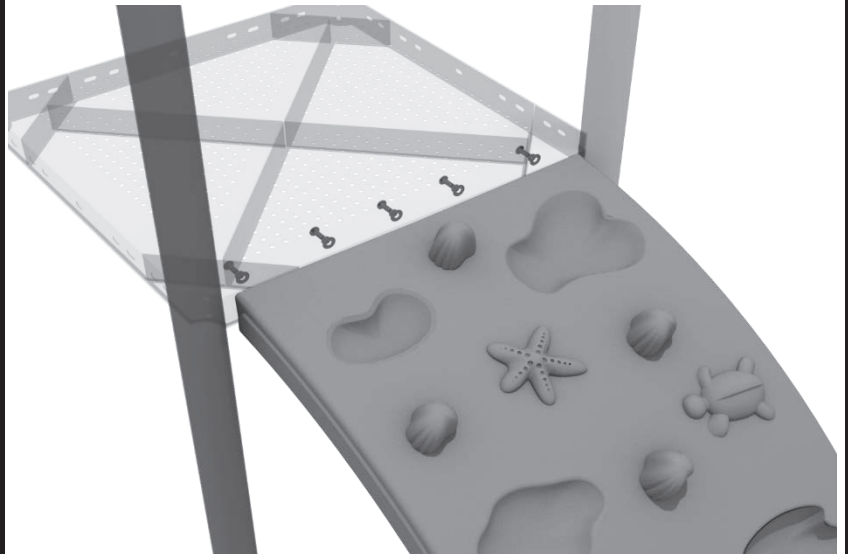
STEP: 1

See general installation guide regarding footing information for the Sea Creature climber. Using two (2) M10*20 bolts, two (2) M10 spring gaskets, and two (2) M10 washers, attach the bottom of the Sea Creature climber to the climber support posts.



STEP: 2

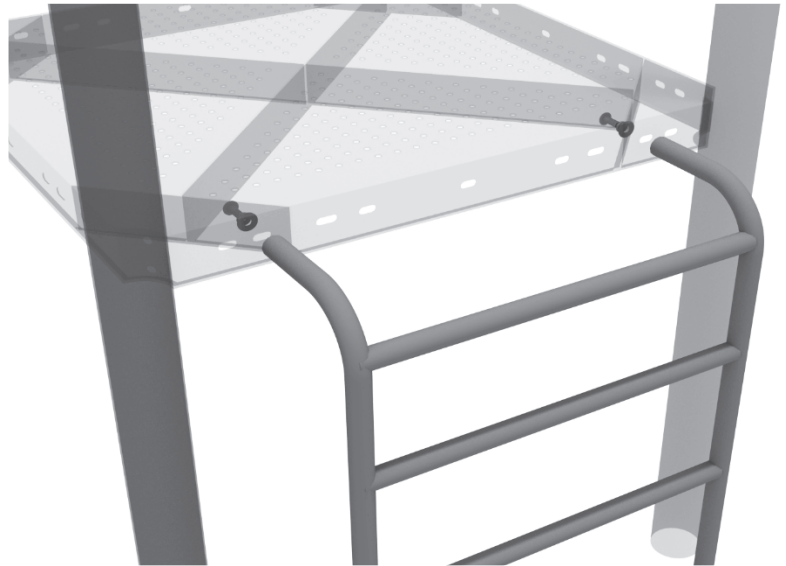
Then using five (5) M10*20 bolts, five (5) M10 spring gaskets, and five (5) M10 washers, attach the top of the Sea Creature climber to the deck.



5-foot Vertical Ladder Installation

STEP: 1

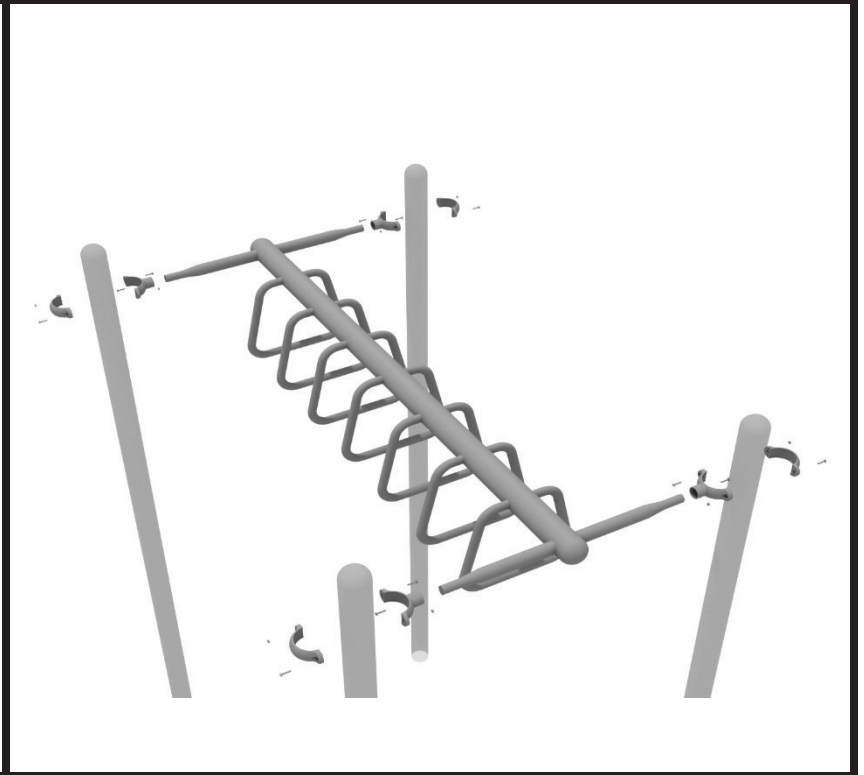
See general installation guide regarding footing information for the 5-foot Vertical Ladder. Attach the ladder to the deck using two (2) M10*25 bolts, two (2) M10 spring washers, and two (2) M10 washers.



Overhead Straight Trapezoid Installation

STEP: 1

Attach the Overhead Straight Trapezoid Ladder to the designated posts by connect half of the tube clamp to the ladder using one (1) M8*30 bolt. Repeat this process for each attachment point. Set the ladder into place, then attach the second half of the clamp around the post.



Arched Swinging Rings Installation

Connect the swinging rings arched ladder to the appropriate post via the Standard Attachment Points.

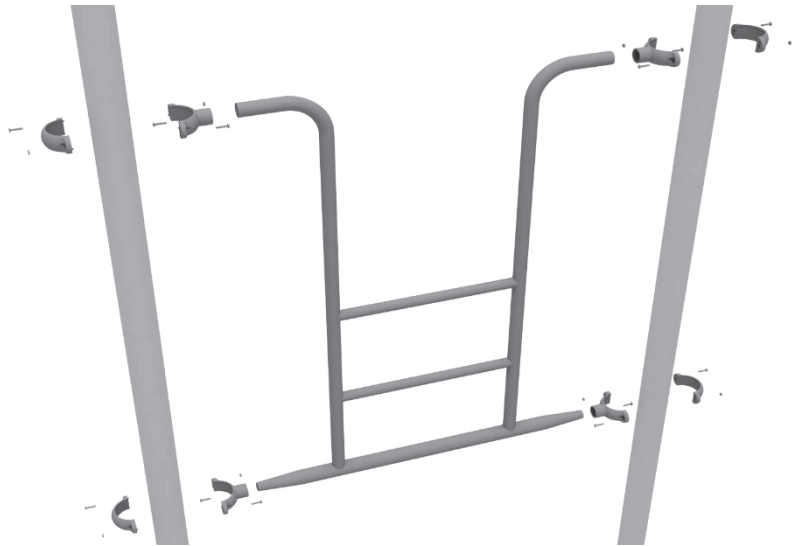
Please refer to the Standard Attachment Point Install section for more detailed information.



Overhead Access Ladder Installation

STEP: 1

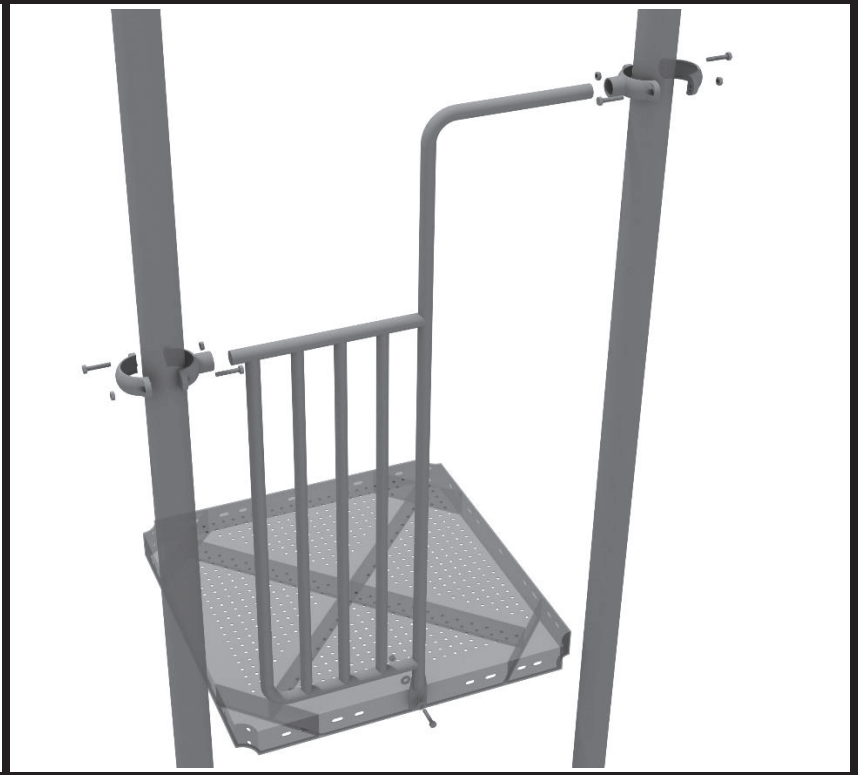
Attach the Overhead Access Ladder to the designated posts by connect half of the tube clamp to the ladder using one (1) M8*30 bolt. Repeat this process for each attachment point. Set the ladder into place, then attach the second half of the clamp around the post.



3.5" Side Entrance Rail Panel Installation

STEP: 1

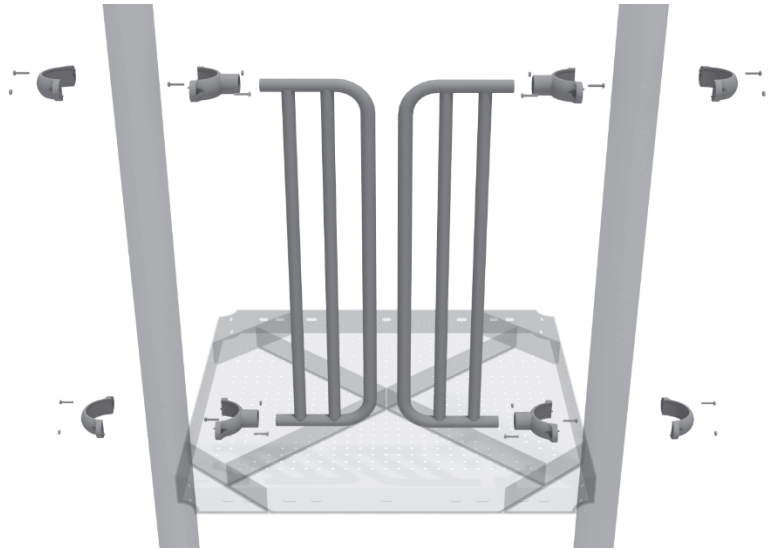
Attach the Arch Rail to the designated posts by connecting half of the tube clamp to the Side Entrance Panel using one (1) M8*30 bolt. Repeat this process for each post attachment point. Then, attach the rail to the deck using one (1) M10*25 bolt, two (2) M10 washers, and one (1) M10 lock nut. Finally, attach the second half of the clamp around the post.



D-Rail Installation

STEP: 1

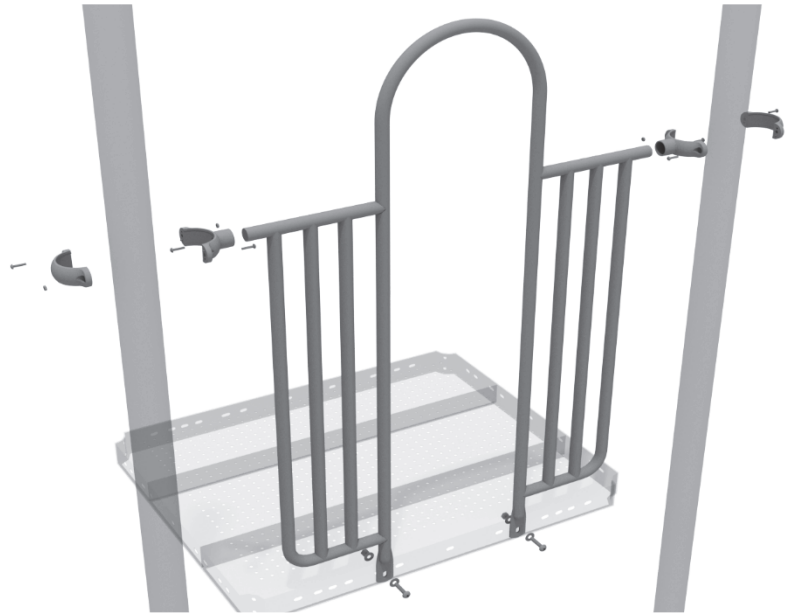
Take two (2) 3.5-inch tube clamps and connect half of the clamps both ends of the D-Rail using one (1) M8*30 bolt. Then, using the other half of the tube clamp and the hardware provided in the clamp hardware bag, attach the other half of the tube clamp around the post to the D-Rail. Repeat this process for the other D-Rail.



4.5-inch 2-Clamp Arch Rail Installation

STEP: 1

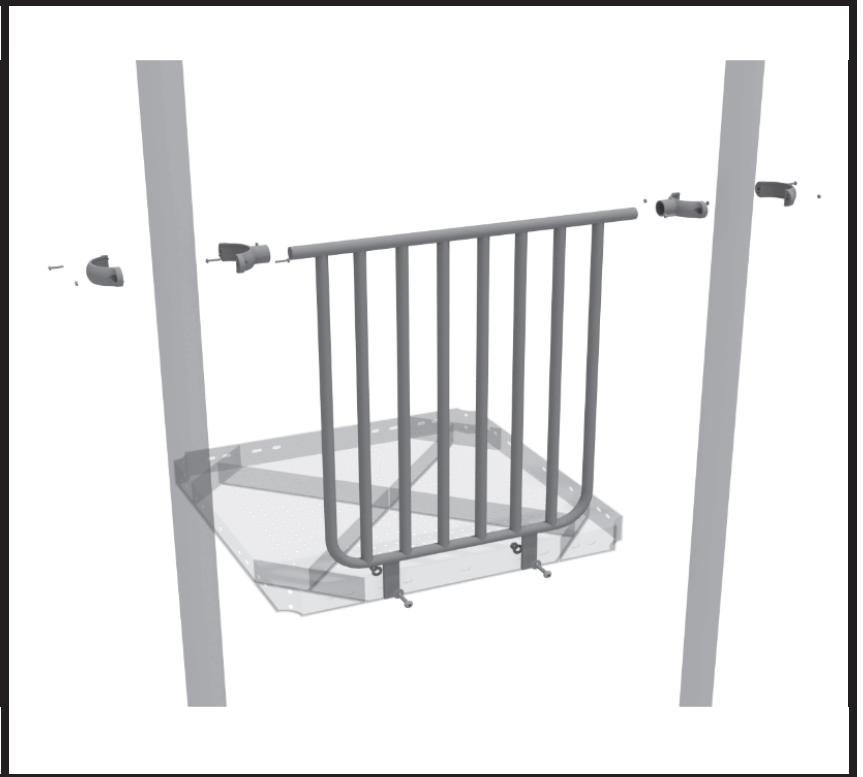
Attach each two-clamp arch rail to the designated deck by using two (2) tube clamps, and two (2) M4*25 self-tapping screws to attach the top of the panel to the posts. Then use two (2) M10*25 bolts, four (4) M10 washers, and two (2) M10 lock nuts to attach the panel to the deck.



3.5-inch Metal Barrier Installation

STEP: 1

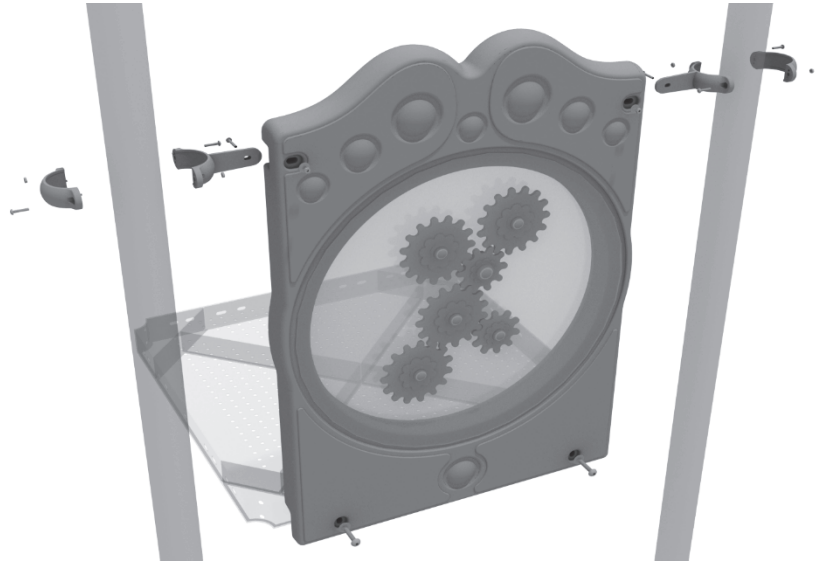
Attach the metal barrier to the designated posts using two (2) tube clamps two (2) M8*30 bolts. Then, attach the bottom of the metal barrier to the deck using two (2) M10*25 bolts, four (4) M10 washers, and two (2) M10 lock nuts.



3.5-inch Gear Panel Installation

STEP: 1

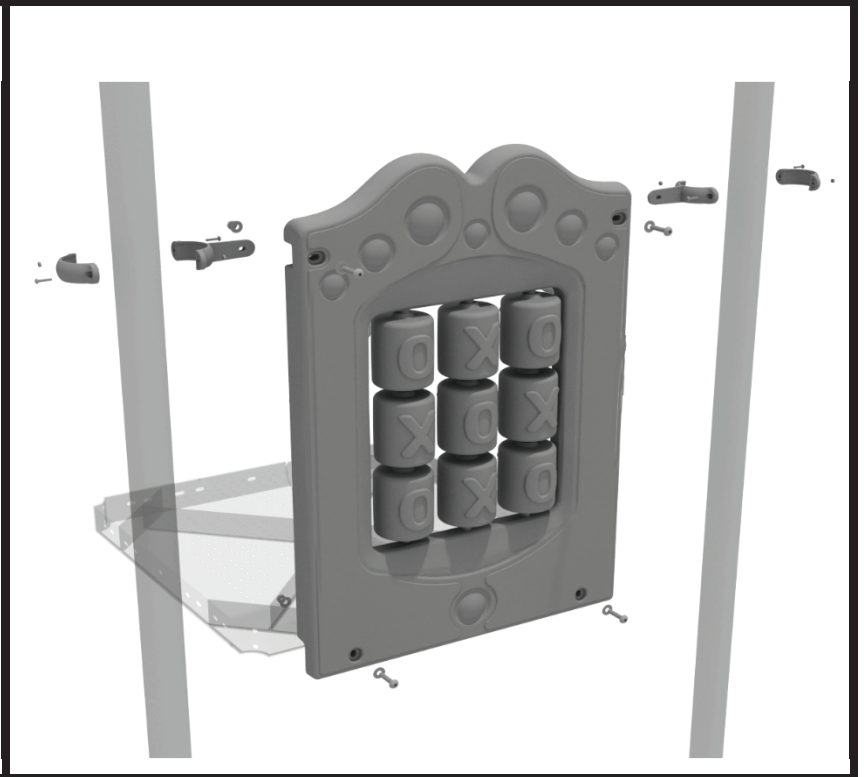
Connect the bottom of the panel to the deck using two (2) M10*50 bolts, four (4) M10 washers, and two (2) M10 lock nuts. Then attach the top of the panel to the posts using two (2) flat clamps.



3.5-inch Tic Tac Toe Panel Installation

STEP: 1

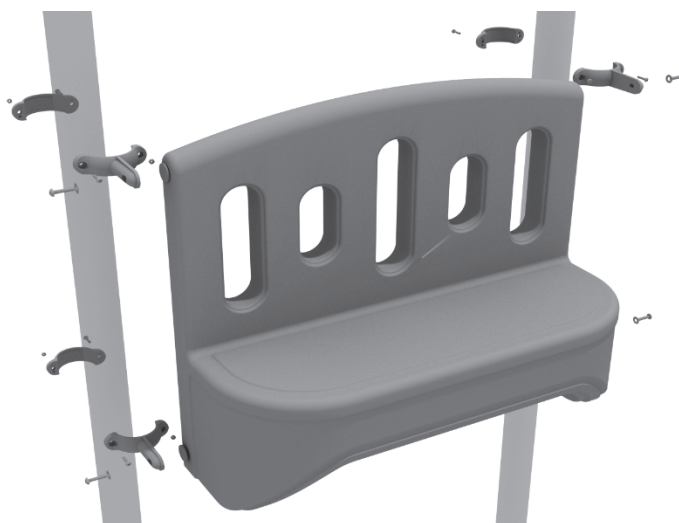
Connect the bottom of the panel to the deck using two (2) M10*50 bolts, four (4) M10 washers, and two (2) M10 lock nuts. Then attach the top of the panel to the posts using two (2) flat clamps.



3.5inch Bench Panel Installation

STEP: 1

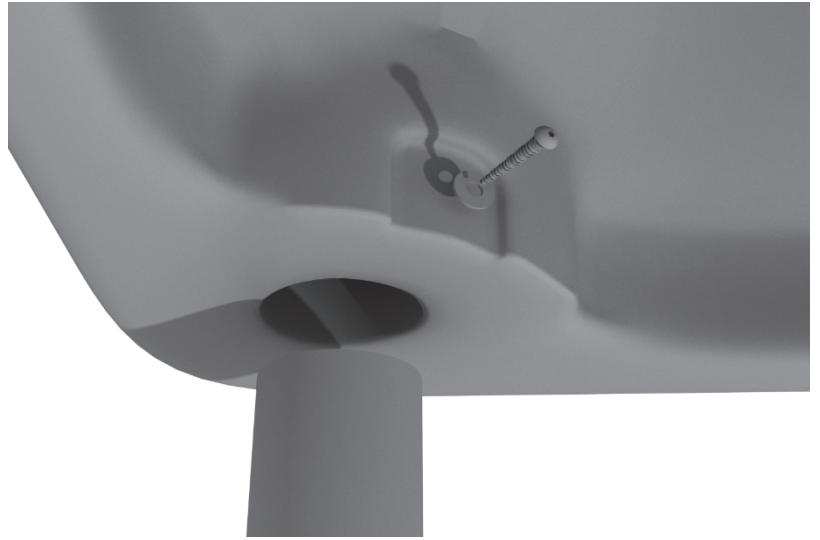
Attach the Bench Panel to the designated posts using four (4) 3.5-inch flat clamps, and four (4) M8*25 bolts.



Line Roof Installation

STEP: 1

Set the line roof on top of the posts. Take four (4) self-tapping screws and drill them through the notch at each corner of the roof, into the support posts.



Hex Line Roof Install

STEP: 1

To attach a hex roof, bolt the plastic post caps to the bottom of the roof using six (6) M8*20 bolts, and six (6) M8 washers. Then place the roof on top of the posts and screw the caps onto the post using eighteen (18) M3*16 self-tapping screws.

