

STEP: 1

**DO NOT CEMENT POSTS INTO PLACE
UNTIL THE ENTIRE STRUCTURE IS
ASSEMBLED.**

Refer to the General Installation
guide footing information and dig
proper holes for the support posts.



Half Hex Deck Installation

STEP: 1

After the posts are in place, using five (5) M10*35 bolts, ten (10) M10 washers, and five (5) M10 lock nuts, attach the deck to each pre-attached deck clamp as shown in the image.

Deck clamps are pre-attached to the posts and should not be altered in any way.



Half Hex Deck Connect to Half Hex Deck

STEP: 1

When installing decks that are adjacent to one another at the same height, they should be bolted together. On the underside of the deck, install using four (4) M10*25 Bolts, eight (8) M10 Washers, and four (4) M10 Lock Nuts. Repeat this process for every set of adjacent decks.

Square Deck Installation

STEP: 1

After the posts are in place, using four (4) M10*35 Bolts, eight (8) M10 Washers, and four (4) M10 Lock Nuts, attach each square deck to each pre-attached deck clamp as shown in the image.

Deck clamps are pre-attached to the posts and should not be altered in any way.



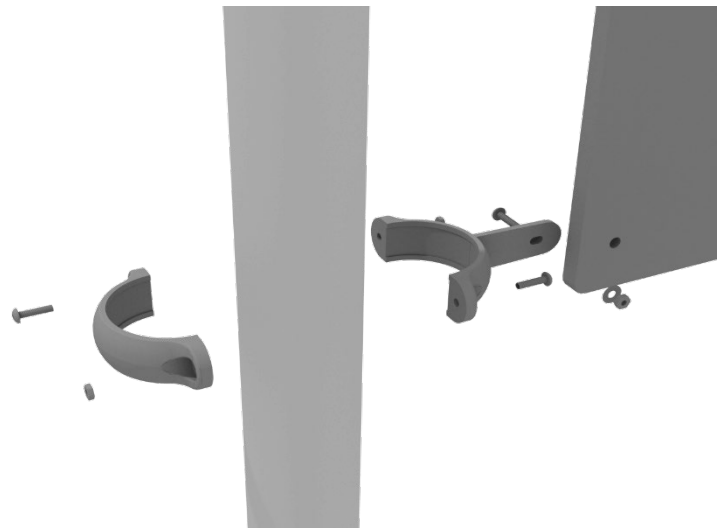
4.5-inch Clamp Installation Examples

The following two pages will include examples of how to install some of the most common types of Clamps that are present on our structures that use 4.5-inch outside diameter posts. The structure that you are assembling might not require all the types of clamps listed in these examples.

The Install Guides for specific components that come later in this document might call for a specific type of clamp (a tube clamp for example), those sections will not include detailed instructions for the clamps and should direct you back to this section for more detailed information.

4.5-inch Flat Clamp Installation Example

Connect half of the flat clamp to the component using one (1) M8*30 bolt and Lock Nut. Then, using the other half of the flat clamp and the hardware provided in the clamp hardware bag, attach the backside of the flat clamp around the post.



4.5-inch Clamp Installation Examples

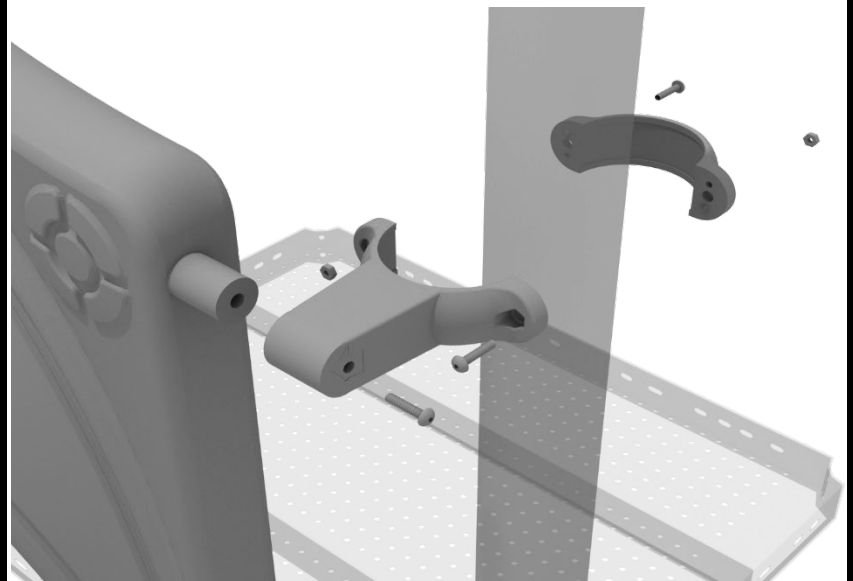
4.5-inch Tube Clamp Installation Example

Insert Bar on Component into one half of the Tube Clamp and attach with M4*25 Set Screw. Then, using the other half of the tube clamp and the hardware provided in the clamp hardware bag, attach the backside of the tube clamp around the post.



4.5-inch Double Slide Clamp Installation Example

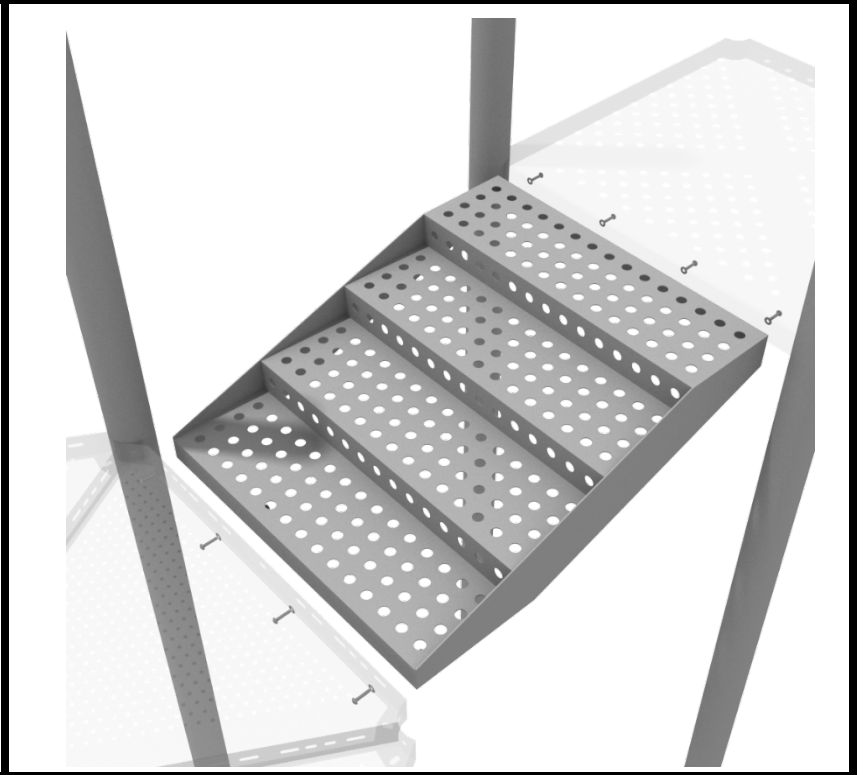
Connect half of the double slide clamp to the double slide hood using one (1) M8*30 bolt. Then, using the other half of the clamp and the hardware provided in the clamp hardware bag, attach the backside of the double slide clamp around the post.



4.5-inch Middle Stair Install

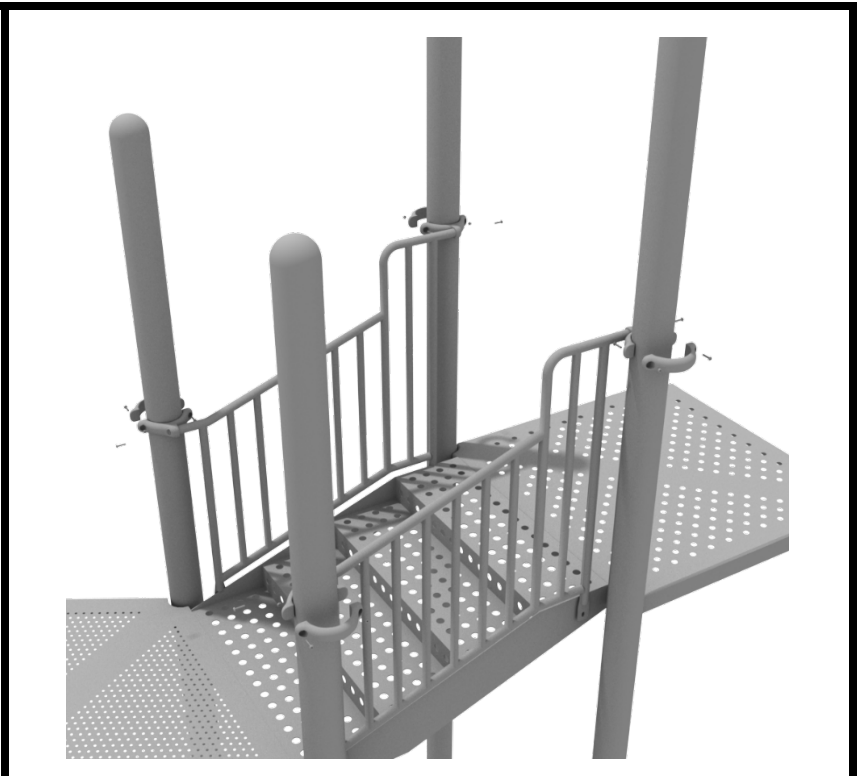
STEP: 1

Using eight (8) M10*25 bolts, sixteen (16) M10 washers, and eight (8) M10 lock nuts, connect the middle stair from one deck to the next.



STEP: 2

Connect half of each 4.5-inch offset clamp to the middle handrail using one (1) M8*37 bolt. Set the handrail into place, then attach the second half of the clamp using the hardware provided in the clamp bag. Repeat this process for the other handrail. Then, using two (2) M10*25 bolts, four (4) M10 washers, and two (2) M10 lock nuts, attach the bottom of the handrail to the side of the stair.



1 Playground Drive
Greenfield, IN 46140
1-800-667-0097

Created By: Aaron Price
Date Modified: 05/10/18

4.5-inch 4-foot Transfer Station Install

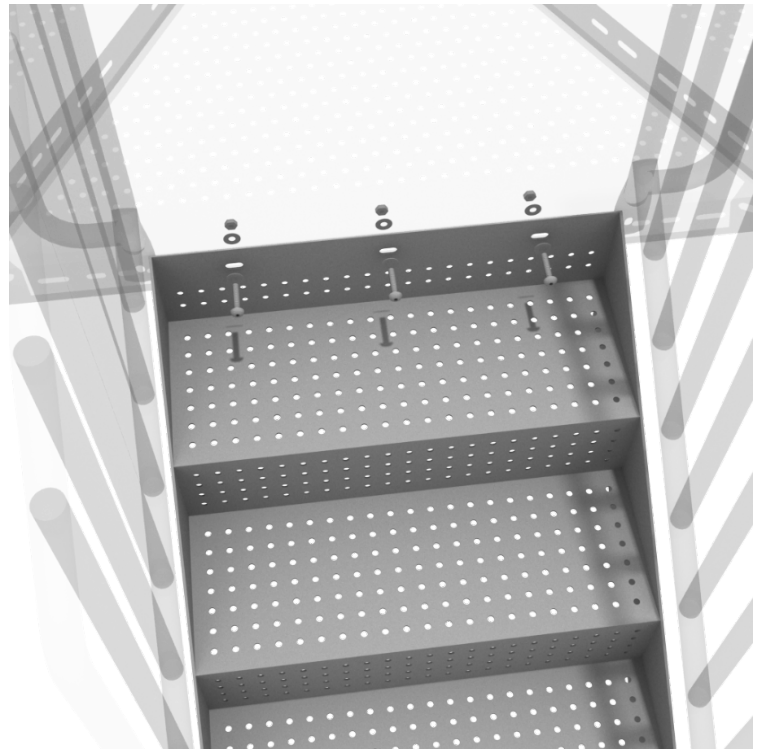
STEP: 1

Connect half of a tube clamp to the ADA transfer handrail using one (1) M4*25 self-tapping screw. Set the handrail into place, then attach the second half of the clamp using the hardware provided in the clamp bag. Repeat this process for the other handrail.



STEP: 2

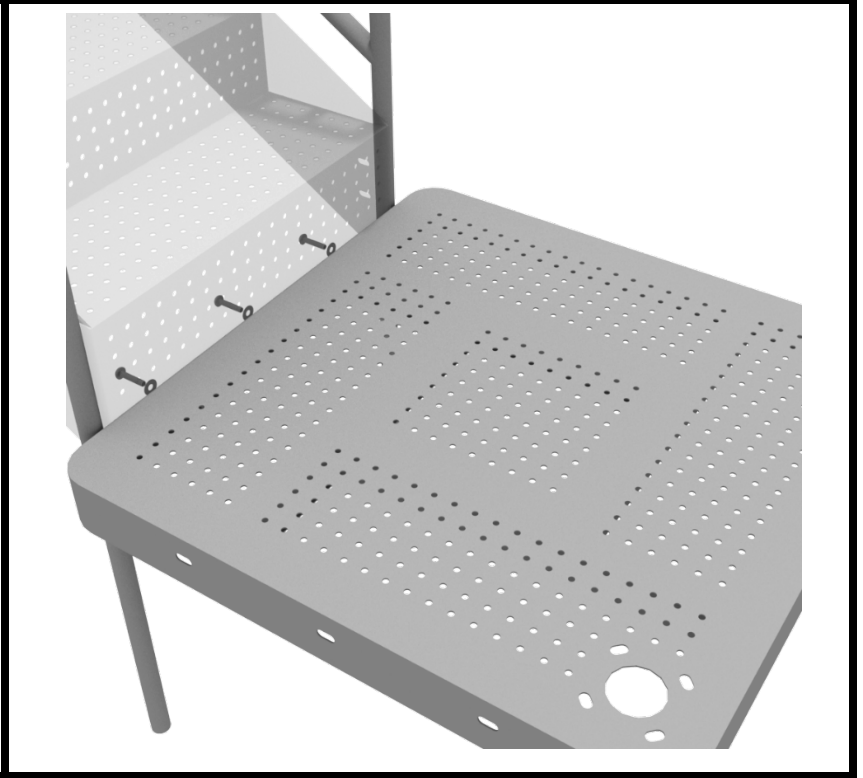
Using three (3) M10*25 bolts, six (6) M10 washers, and three (3) M10 lock nuts, attach the top of the stairs to the half hex deck. Then using four (4) M10*30 bolts, eight (8) M10 washers, and four (4) M10 lock nuts, attach the handrail to the bottom of the stairs. Then, using two (2) M10*25 bolts, four (4) M10 washers, and two (2) M10 lock nuts, attach the handrails to the deck.



4.5-inch 4-foot Transfer Station Install

STEP: 3

Using three (3) M10*25 bolts, six (6) M10 washers, and three (3) M10 lock nuts, attach the ADA transfer deck to the base of the 4-foot ADA transfer stair.



STEP: 4

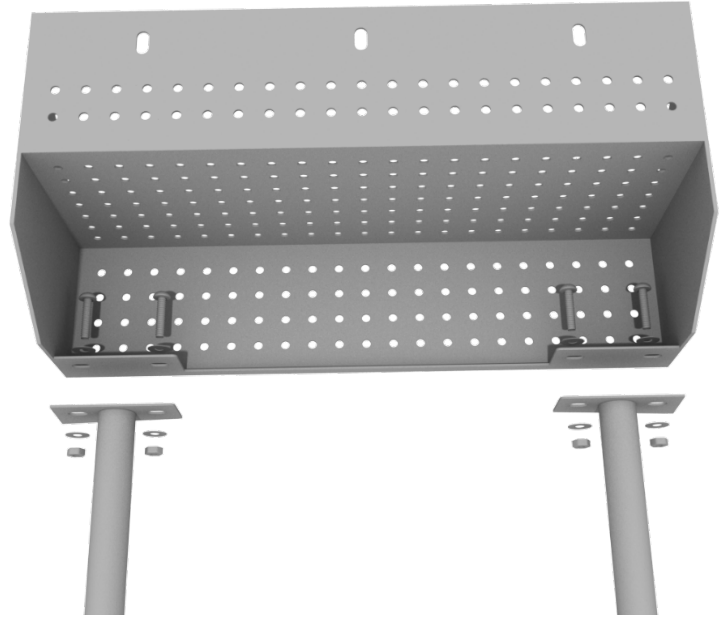
See general installation guide regarding footing information for the transfer deck handrail. Using four (4) M10*25 bolts, eight (8) M10 washers, and four (4) M10 lock nuts, attach each transfer deck handrail to the ADA transfer deck.



4.5-inch 4-foot Transfer Station Install

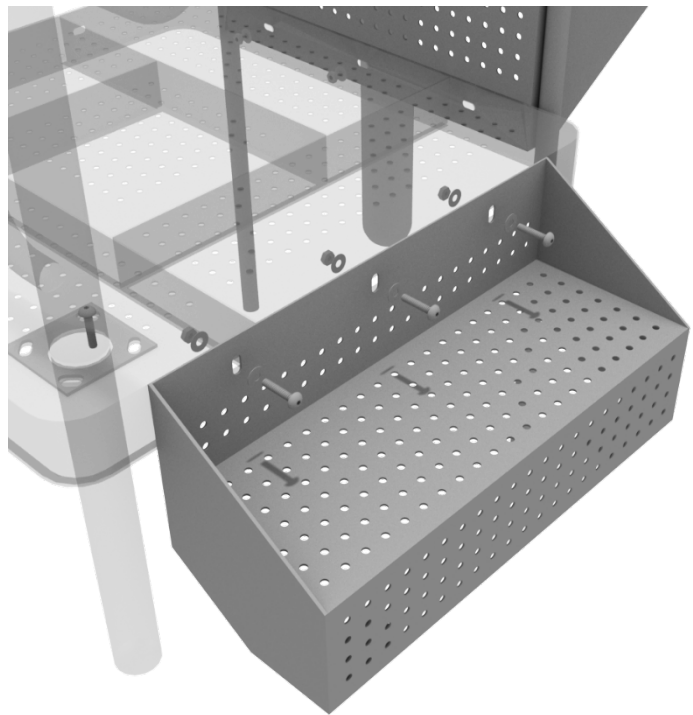
STEP: 5

See general installation guide regarding footing information for the ADA transfer step mount. Using two (2) M10*25 bolts, four (4) M10 washers, and two (2) M10 lock nuts, attach the transfer step to each ADA transfer step mounts.



STEP: 6

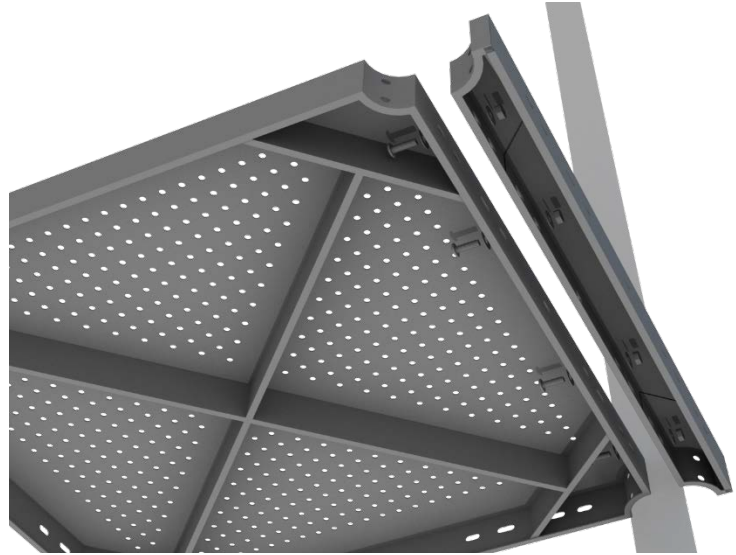
Using three (3) M10*25 bolts, six (6) M10 washers, and three (3) M10 washers, attach the top of the ADA transfer step to the ADA transfer deck.



4-foot Double Straight Slide Installation

STEP: 1

Attach the deck climber extension to the proper deck using four (4) M10*25 bolts, eight (8) M10 washers, and four (4) M10 lock nuts.



STEP: 2

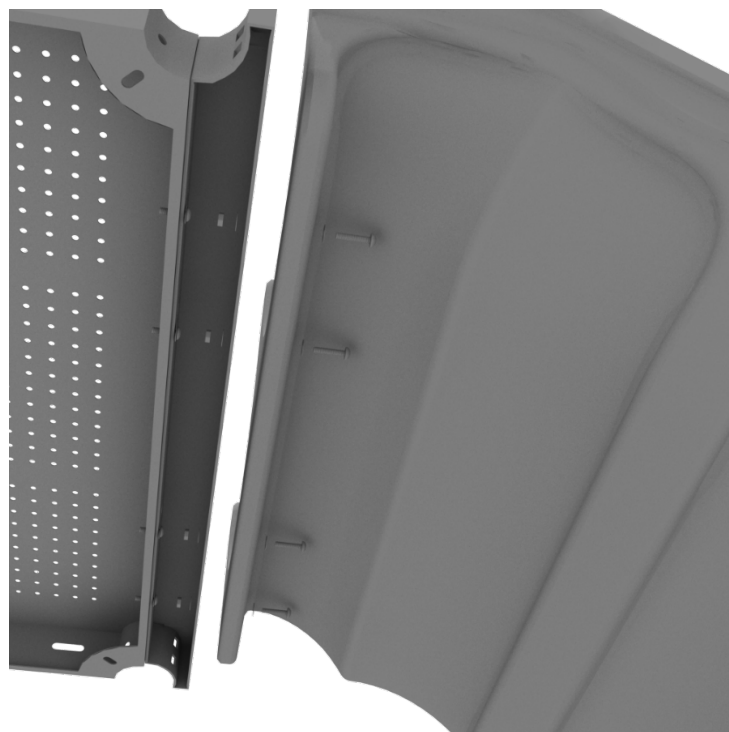
Then, See general installation guide regarding footing information for the double slide end mounts. Using two (2) M8*20 bolts, two (2) M8 spring gaskets, and two (2) M8 washers, attach the slide end mounts to the double slide.



4-foot Double Straight Slide Installation

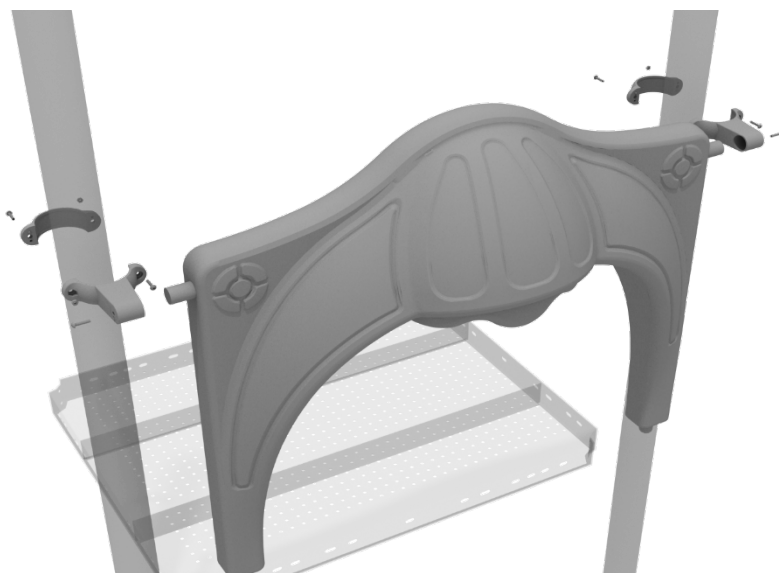
STEP: 3

Then, attach the slide to the deck extension using four (4) M10*45 bolts, eight (8) M10 washers, and four (4) M10 lock nuts.



STEP: 4

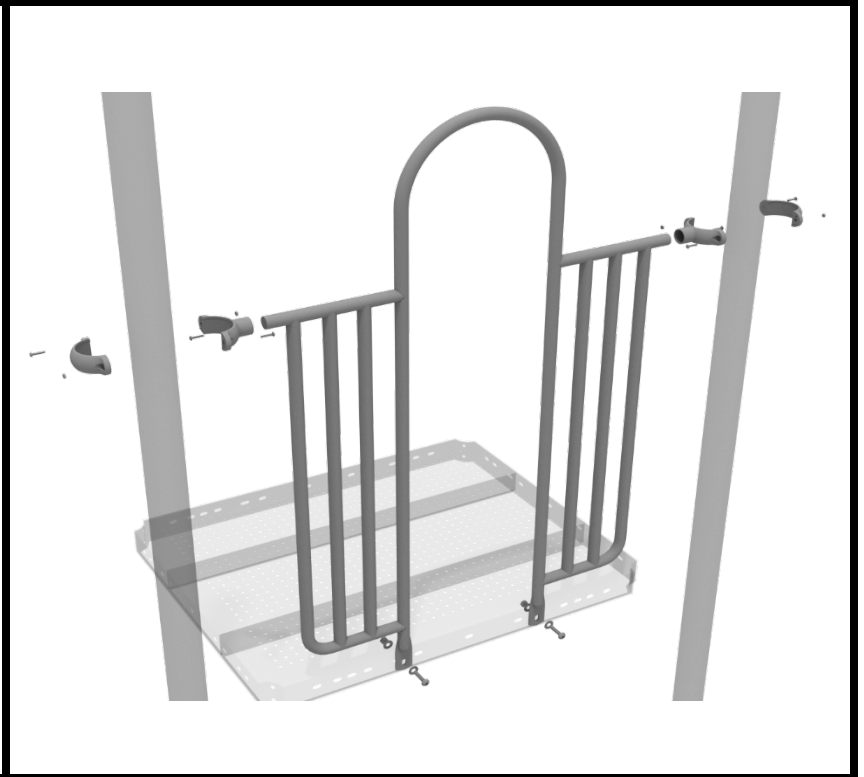
Once the slide is attached, take the double slide hood and insert hood into the top of the slide, and then attach the top using two (2) double slide clamps, and two (2) M8*30 bolts.



4.5-inch 2-Clamp Arch Rail Installation

STEP: 1

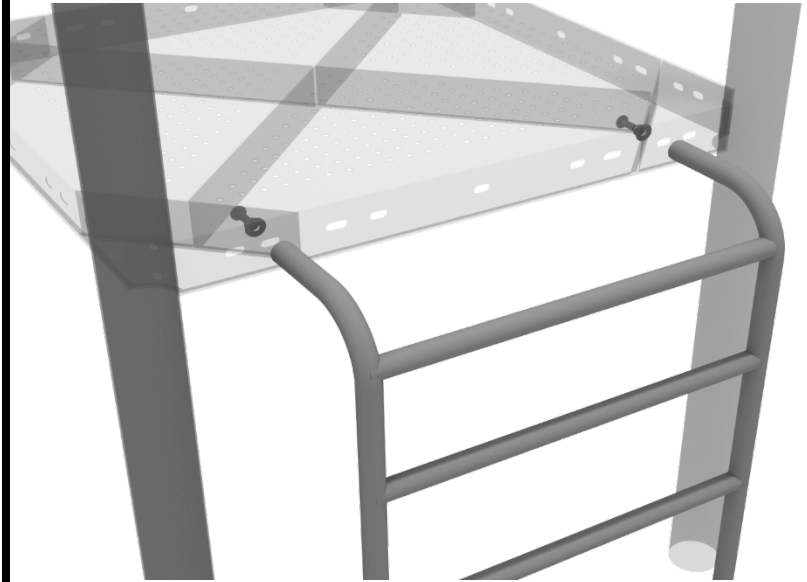
Attach each two-clamp arch rail to the designated deck by using two (2) tube clamps, and two (2) M4*25 self-tapping screws to attach the top of the panel to the posts. Then use two (2) M10*25 bolts, four (4) M10 washers, and two (2) M10 lock nuts to attach the panel to the deck.



4-foot Vertical Ladder Installation

STEP: 1

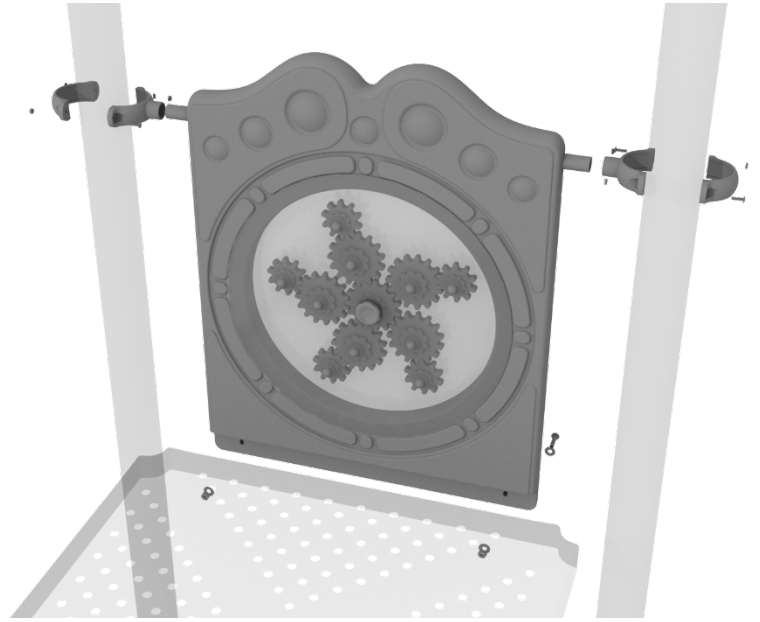
See general installation guide regarding footing information for the 4-foot Vertical Ladder. Attach the ladder to the deck using two (2) M10*25 bolts, two (2) M10 spring washers, and two (2) M10 washers.



4.5-inch Gear Panel Installation

STEP: 1

Attach two tube clamps to the Gear Panel using two (2) M4*25 self-tapping screws and attach those clamps to the proper support posts. Then, attach the bottom of the metal barrier to the deck using two (2) M10*50 bolts, four (4) M10 washers, and two (2) M10 lock nuts.



4.5-inch Metal Barrier Installation

STEP: 1

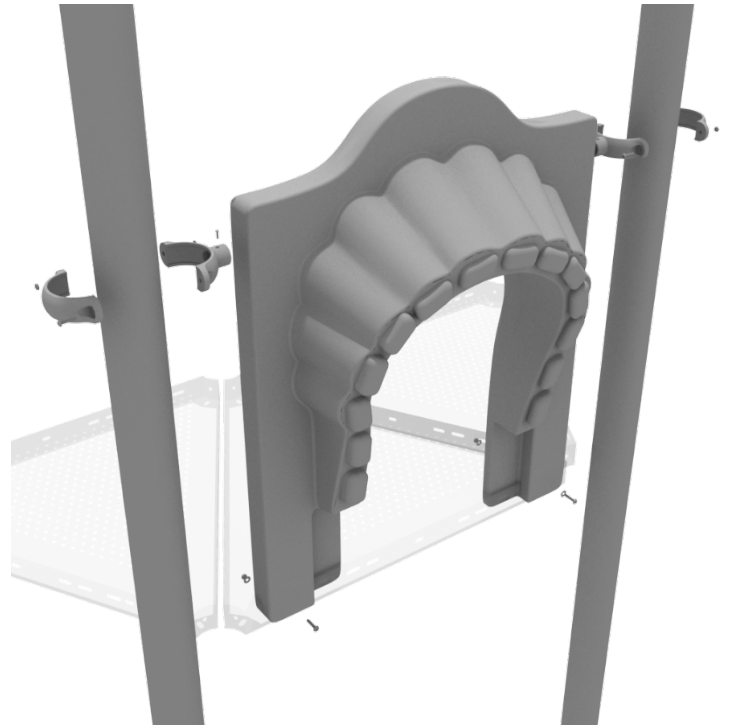
Attach two tube clamps to the metal barrier using two (2) M4*25 self-tapping screws and attach those clamps to the proper support posts. Then, attach the bottom of the metal barrier to the deck using two (2) M10*25 bolts, four (4) M10 washers, and two (2) M10 lock nuts.



5-foot Single Straight Slide Installation

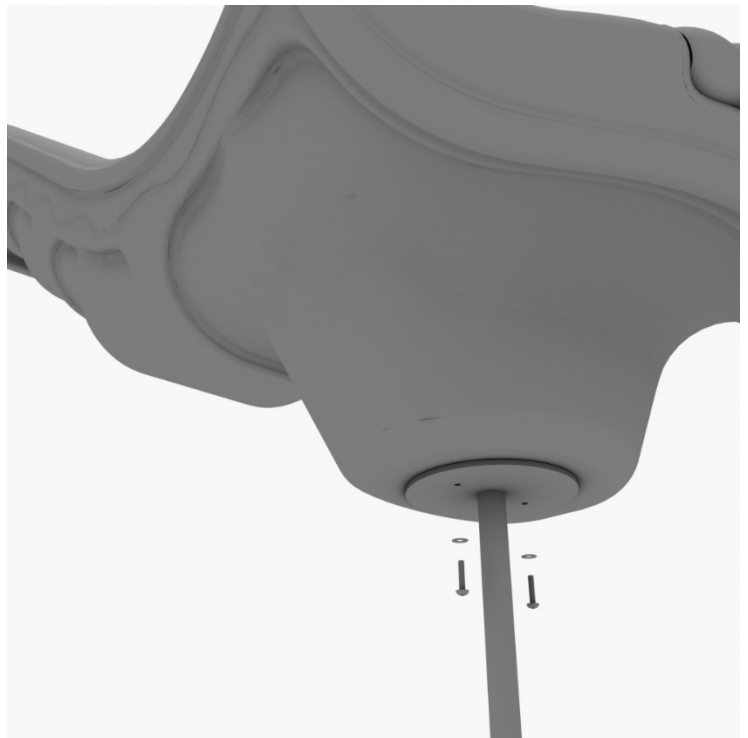
STEP: 1

To attach the single slide hood to a deck, take two clamps and attach them to the posts using two (2) M4*25 self-tapping screws. Then, attach the hood to the deck using two (2) M10*50 bolts, four (4) M10 washers, and two (2) M10 lock nuts. Repeat this process for every single slide hood.



STEP: 2

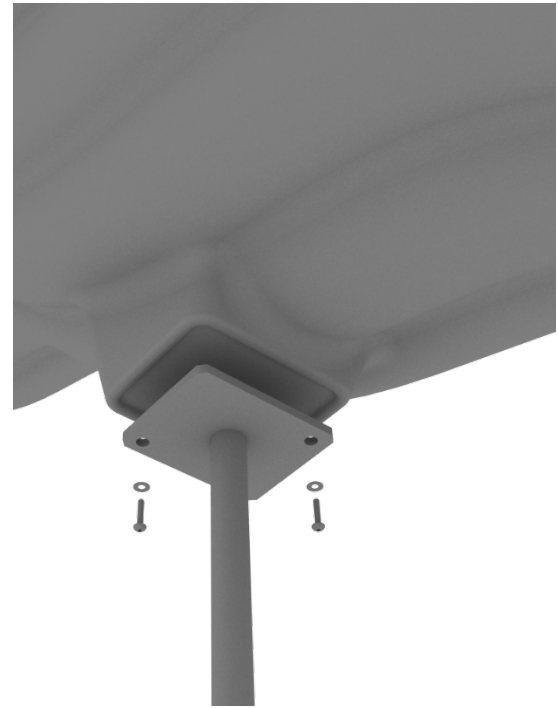
See general installation guide regarding footing information for the slide end mount. Using two (2) M8*20, two (M8) spring washers. And two (2) M8 washers, attach the slide to the slide support post.



5-foot Single Straight Slide Installation

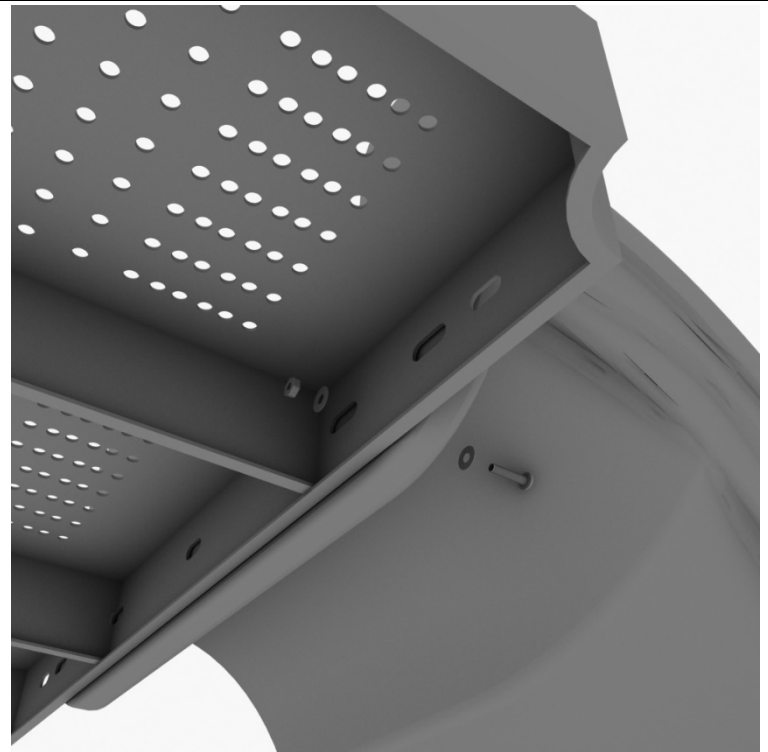
STEP: 3

See general installation guide regarding footing information for the middle slide support. Using two (2) M8*20 bolts, two (2) M8 spring washers, and two (2) M8 washers, attach the middle slide support post. Repeat the process for each middle slide mount.



STEP: 4

To attach a single slide to a deck, use two (2) M10*45 bolts, four (4) M10 washers, and two (2) M10 lock nuts. Repeat this process for the other side of the slide. Repeat this process for each single slide.



5-foot Single Straight Slide Installation

STEP: 5

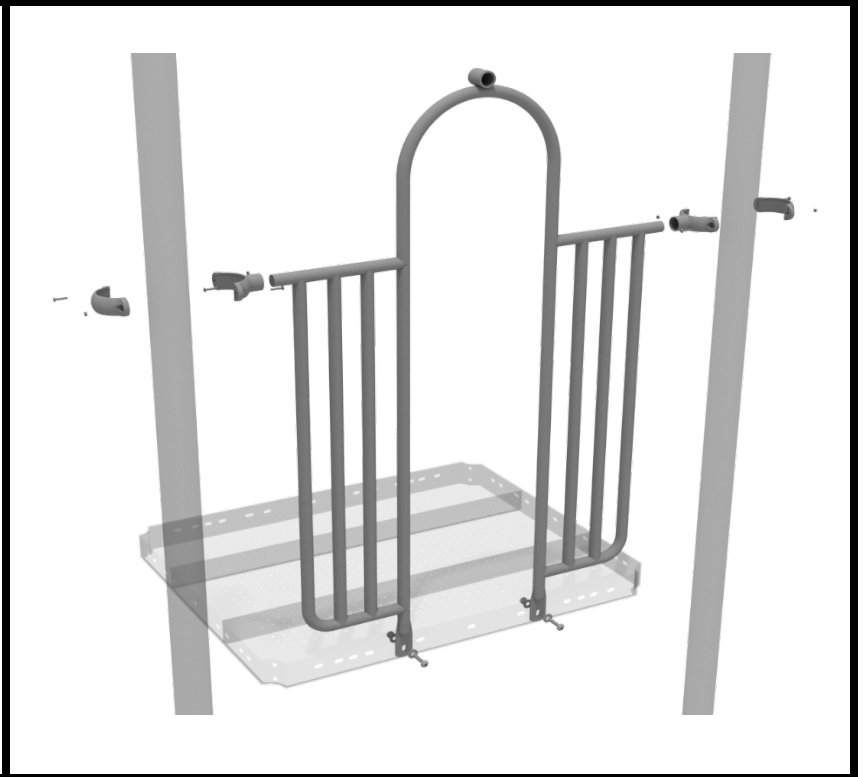
Using two (2) M8*45 bolts, two (2) M8 washer, two (2) M12 washers, and one (1) M12 inner hex spiral nut, attach the slide to the slide hood. Repeat this process for the other side of the slide.



4.5-inch 2-Clamp Arch Rail Installation

STEP: 1

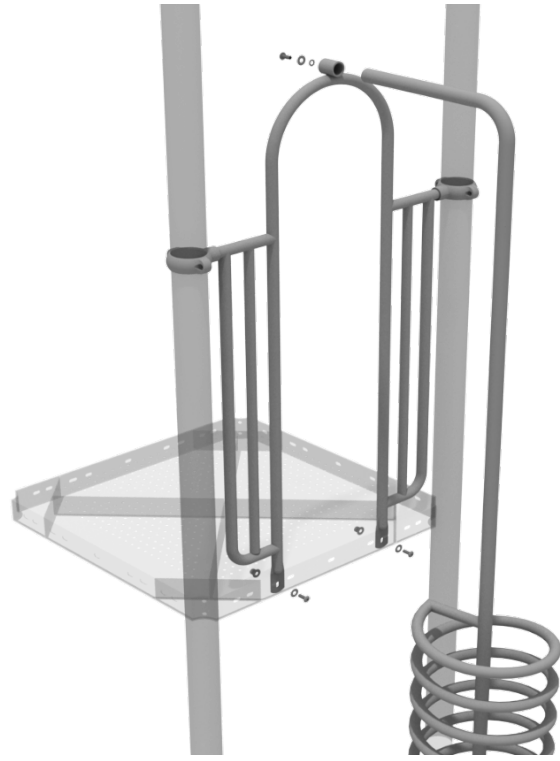
Attach the Arch Rail to the designated posts by connect half of the tube clamp to the arch rail using one (1) M4*25 self tapping screw. Repeat this process for each post attachment point. Then, attach the rail to the deck using two (2) M10*25 bolts, four (4) M10 washers, and two (2) M10 lock nuts. Finally, attach the second half of the clamp around the post.



Spiral Climber Installation

STEP: 1

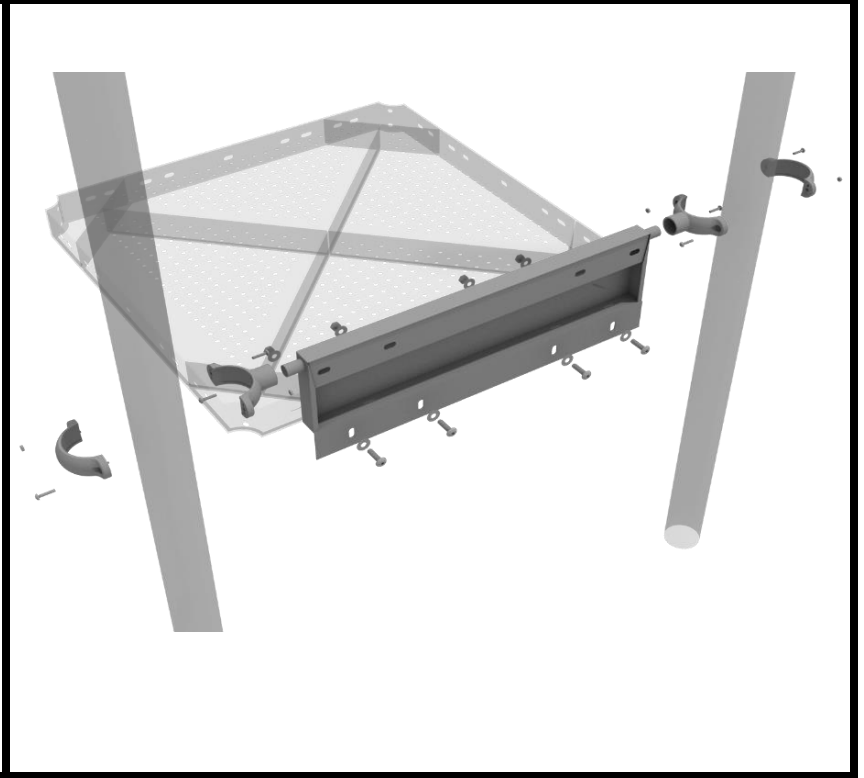
See general installation guide regarding footing information for the spiral climber. Attach the top of the climber to the designated arch rail top bracket using one (1) M10*30 bolt, one (1) M10 spring washer, and one (1) M10 washer.



Spiral Slide Installation

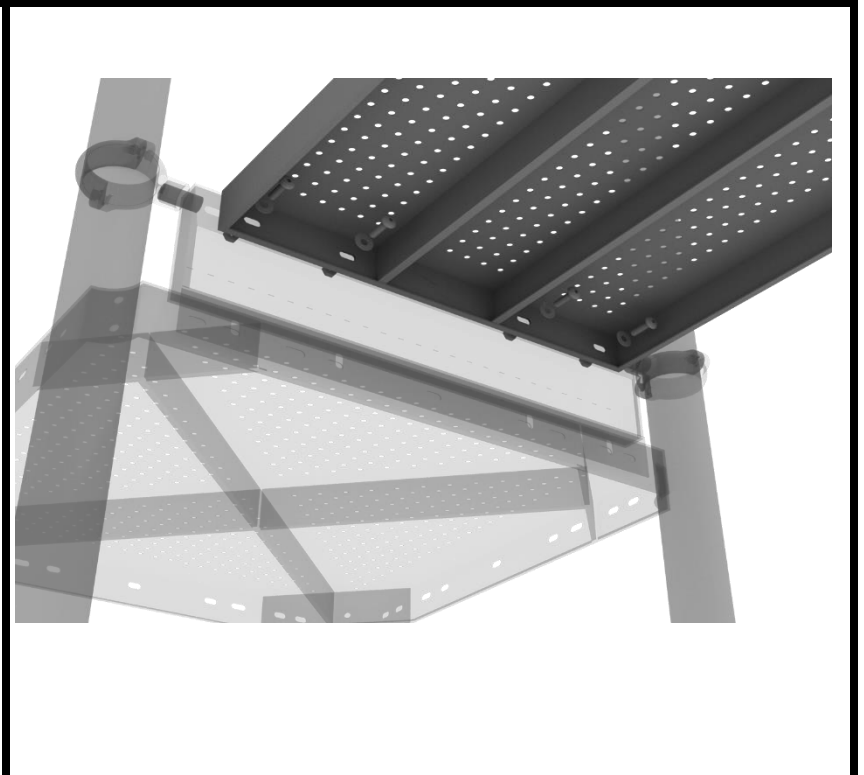
STEP: 1

Attach the spiral slide kick plate to the proper square deck using four (4) M10*25 bolts, eight (8) M10 washers, four (4) M10 lock nuts.



STEP: 2

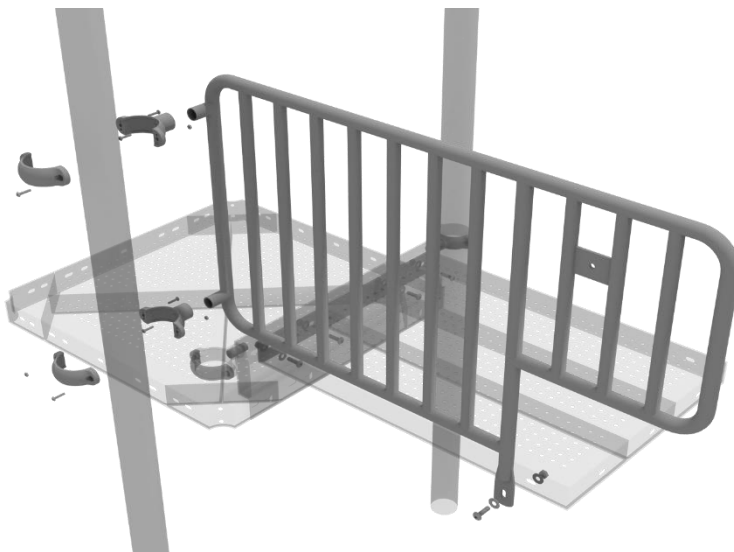
Attach the spiral slide deck to the top of the spiral slide kick plate using four (4) M10*25 bolts, eight (8) M10 washers, and four (4) M10 lock nuts.



Spiral Slide Installation

STEP: 3

Attach the spiral deck handrail to the deck using one (1) M10*25 bolt, two (2) M10 washers, and one (1) M10 lock nut. Then, attach handrail to the post using two (2) tube clamps and two (2) M8*30 lock nuts. Repeat this process for the other handrail.



STEP: 4

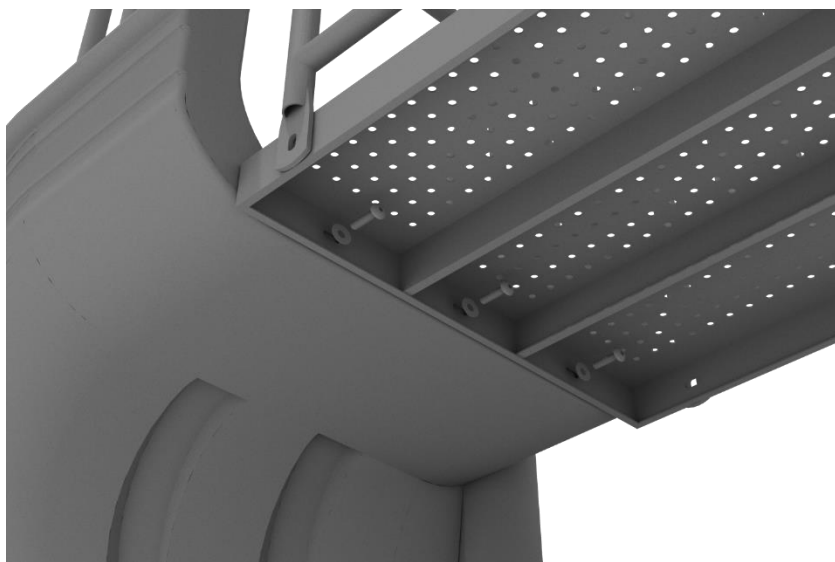
Attach the Spiral deck handrail crossbar to the handrails using two (2) M10*30 bolts, two (2) M10 spring gaskets, and two (2) M10 washers.



Spiral Slide Installation

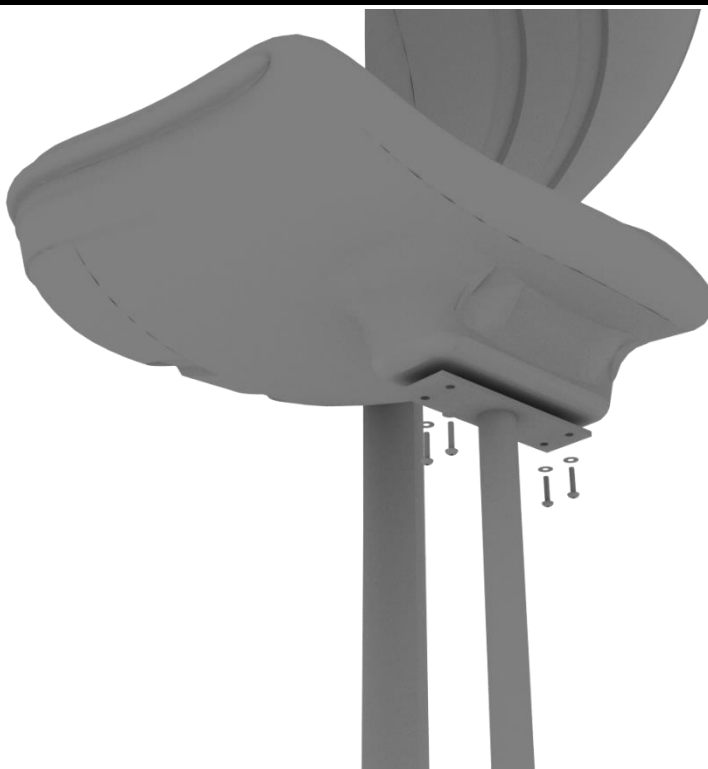
STEP: 5

Attach the spiral slide to the spiral slide deck using three (3) M10*25 bolts, three (3) M10 spring washers, and three (3) M10 spring washers.



STEP: 6

Attach the spiral slide end mount to the bottom of the spiral slide using four (4) M10*20 bolts, four (4) M10 spring washers, and four (4) M10 washers.



1 Playground Drive
Greenfield, IN 46140
1-800-667-0097

Created By: Aaron Price
Date: 04/10/2018

Hex Roof Install

STEP: 1

To attach a hex roof, bolt the plastic post caps to the bottom of the roof using six (6) M8*20 bolts, and six (6) M8 washers. Then place the roof on top of the posts and screw the caps onto the post using eighteen (18) M3*16 self-tapping screws.



4.5-inch Drum Panel Installation

STEP: 1

Connect the Gear panel to the designated post using four (4) 4.5-inch tube clamps.



4.5-inch Store Panel Installation

STEP: 1

Connect the store panel to the designated post using four (4) 4.5-inch tube clamps.

