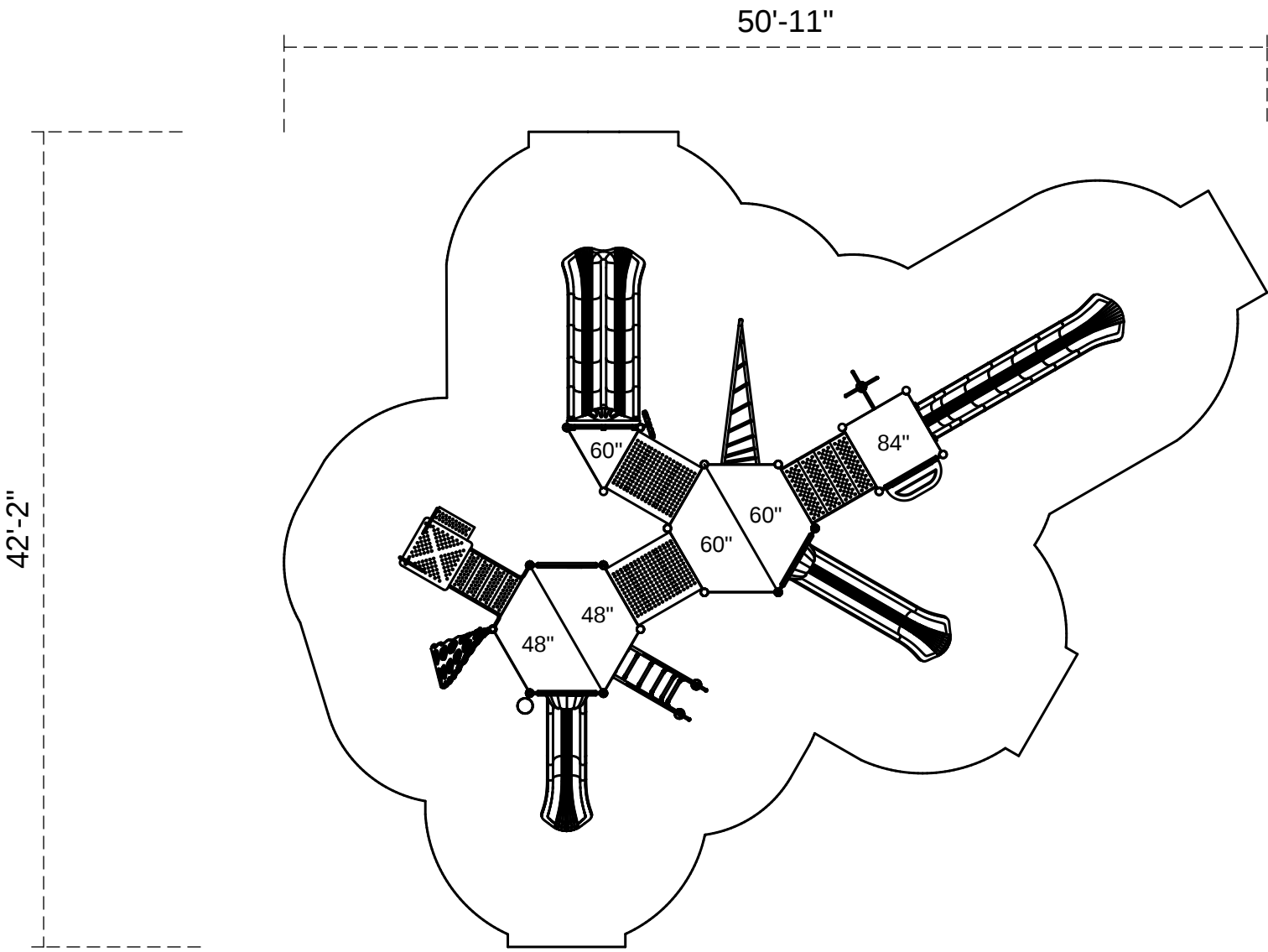


# Parkview Heights



**Footprint:** 30'-2" x 37'-5"  
**Use Zone:** 42'-2" x 50'-11"

**SKU:** PMF041



Created On: September 8, 2017

The information provided on this sheet is subject to change without notice.