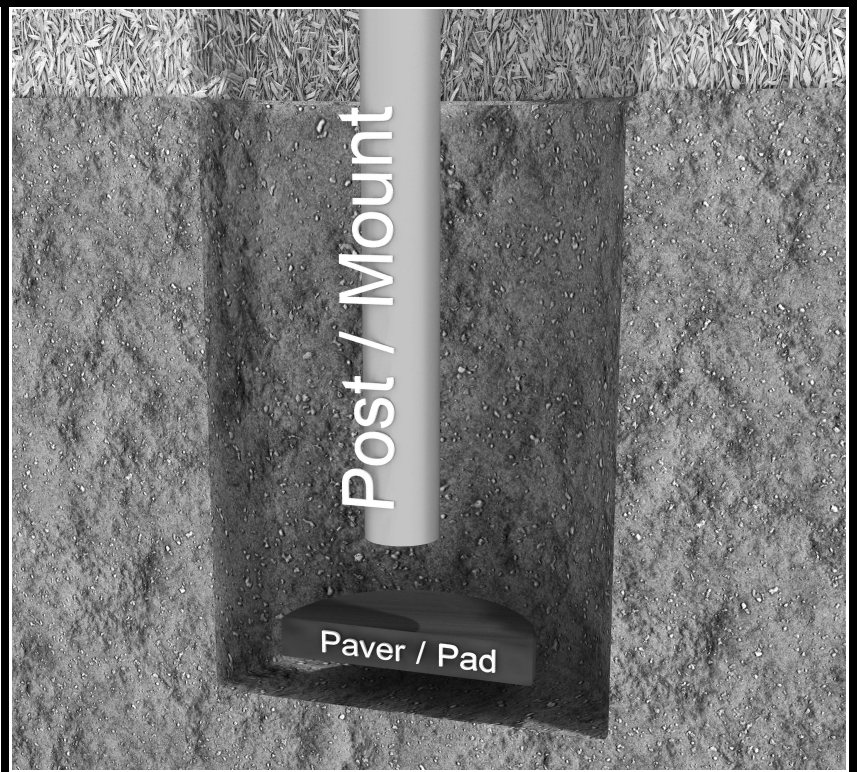


Inground Post/Mount Installation

STEP: 1

DO NOT CEMENT POSTS/MOUNTS INTO PLACE UNTIL THE ENTIRE STRUCTURE IS ASSEMBLED.

Refer to the General Installation guide footing size information and digging proper holes for the support posts/mounts.

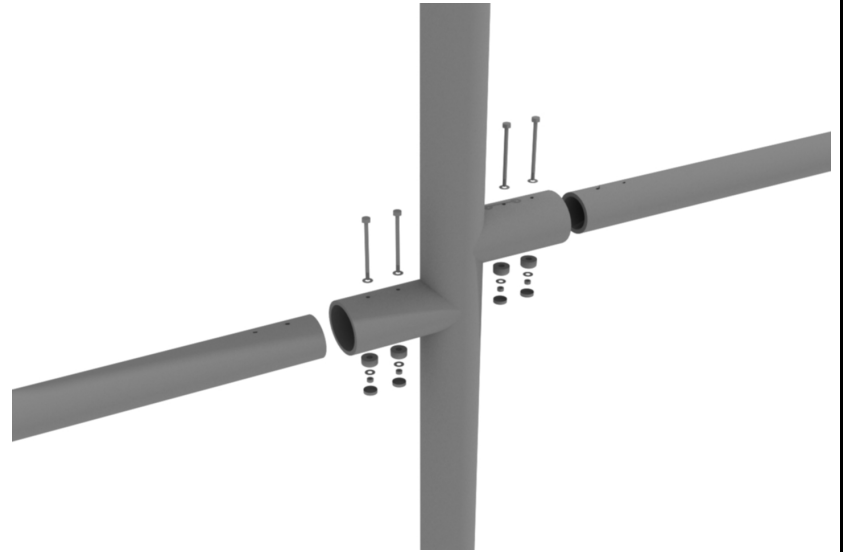


Two Bay Single Post with Two Cantilever Install

For easy installation it is recommended to assemble swing frame and lower onto footers. Once frame is assembled and leveled with hardware installed on top rail, cement into place. Follow guidelines from Concrete manufacturer for amount / time of curing, etc. It is also recommended the use of ratchet straps along with stakes / anchor spike to stabilize frame while cement cures.

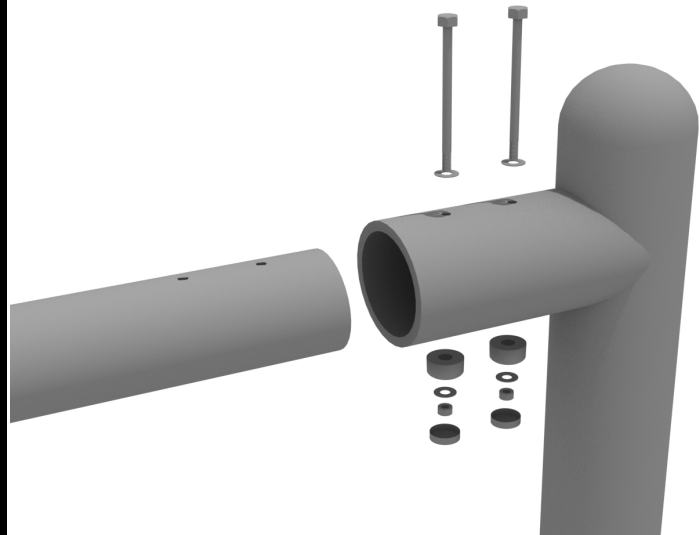
Attach end post to top rail using two (2) 6-1/4" bolts, four (4) washers, two (2) lock nuts and two (2) bolt covers with cap.

Cantilever Extension: Repeat previous step.

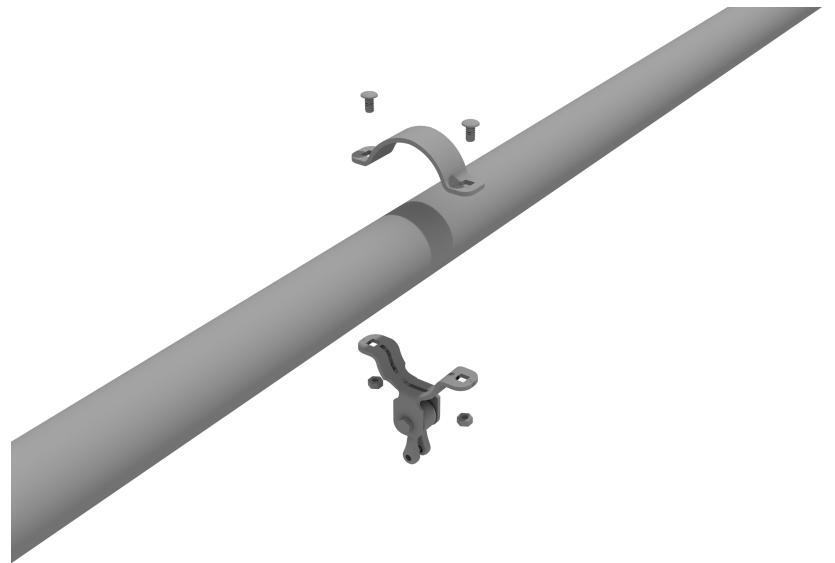


Two Bay Single Post with Two Cantilever Install

Center Post: Attach top rail to center post using two (2) 6-1/4" bolts, four (4) washers, two (2) lock nuts and two (2) bolt covers with cap per connection point.



Loosen and attach swing hanger on to top rail. Spacing hangers with a minimum distance of 20" between each other.



Two Bay Single Post with Two Cantilever Install

Loosen hardware on swing hanger pendulum and attach chain.



Loosen single clevis hardware and attach belt seat. Re-tighten single clevis hardware. Repeat for bucket seat.

