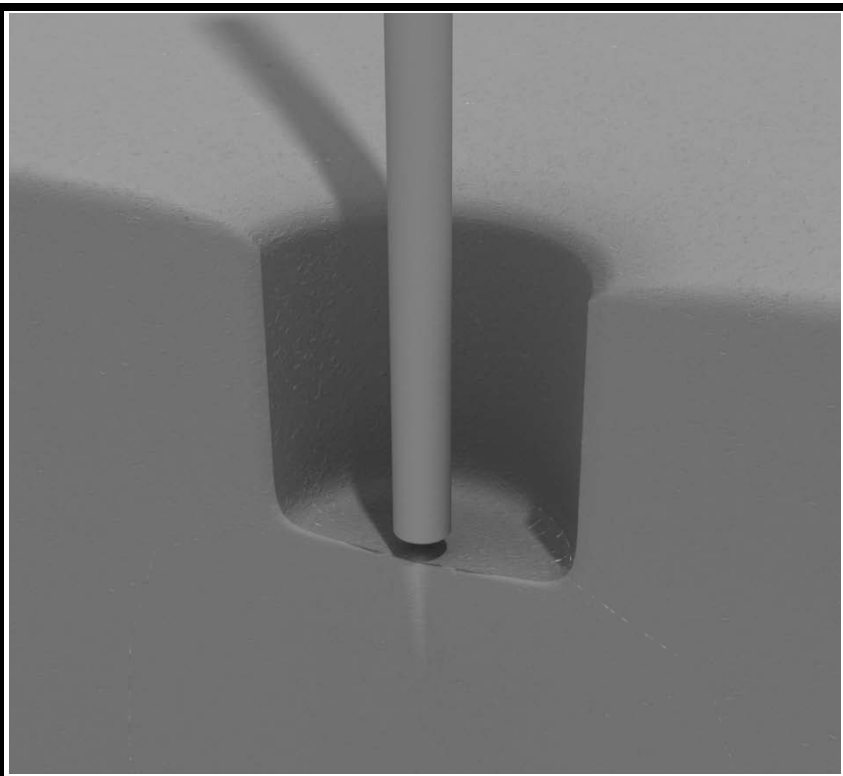


STEP: 1

**DO NOT CEMENT POSTS INTO PLACE
UNTIL THE ENTIRE STRUCTURE IS
ASSEMBLED.**

Refer to the General Installation
guide footing information and dig
proper holes for the support posts.



Square Deck Installation

STEP: 1

After the posts are in place, using four (4) M10*35 Bolts, eight (8) M10 Washers, and four (4) M10 Lock Nuts, attach each square deck to each pre-attached deck clamp as shown in the image.

Deck clamps are pre-attached to the posts and should not be altered in any way.



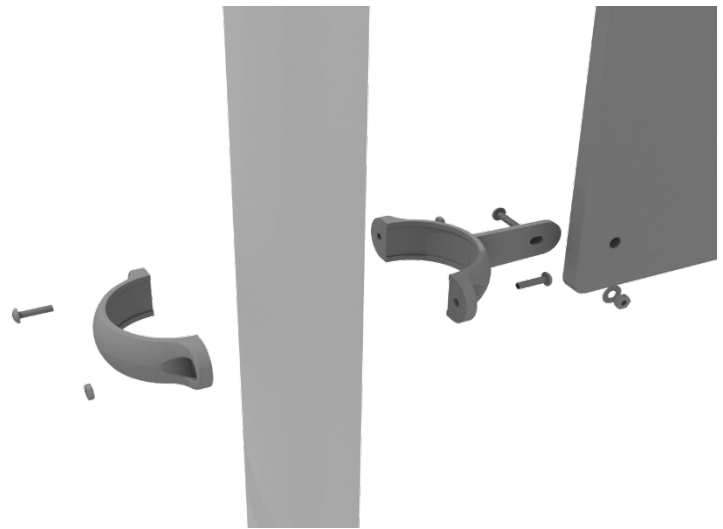
4.5-inch Clamp Installation Examples

The following two pages will include examples of how to install some of the most common types of Clamps that are present on our structures that use 4.5-inch outside diameter posts. The structure that you are assembling might not require all the types of clamps listed in these examples.

The Install Guides for specific components that come later in this document might call for a specific type of clamp (a tube clamp for example), those sections will not include detailed instructions for the clamps and should direct you back to this section for more detailed information.

4.5-inch Flat Clamp Installation Example

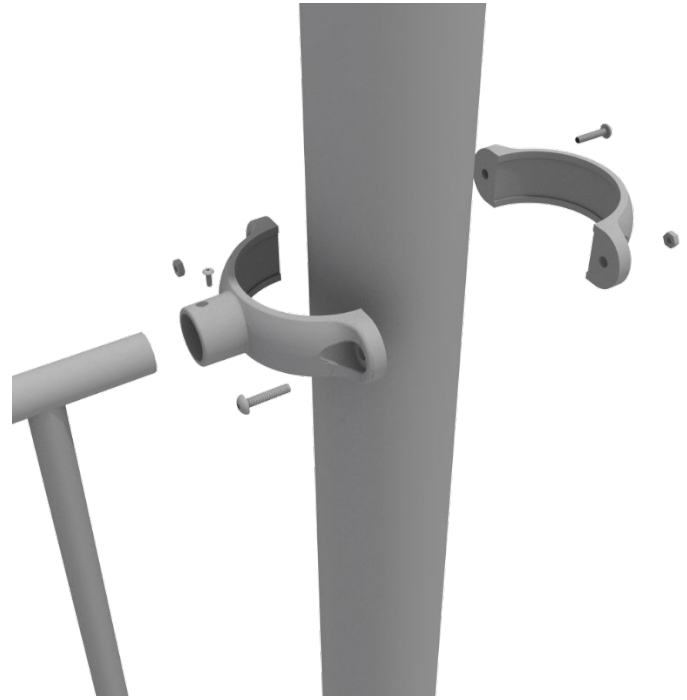
Connect half of the flat clamp to the component using one (1) M8*30 bolt and Lock Nut. Then, using the other half of the flat clamp and the hardware provided in the clamp hardware bag, attach the backside of the flat clamp around the post.



4.5-inch Clamp Installation Examples

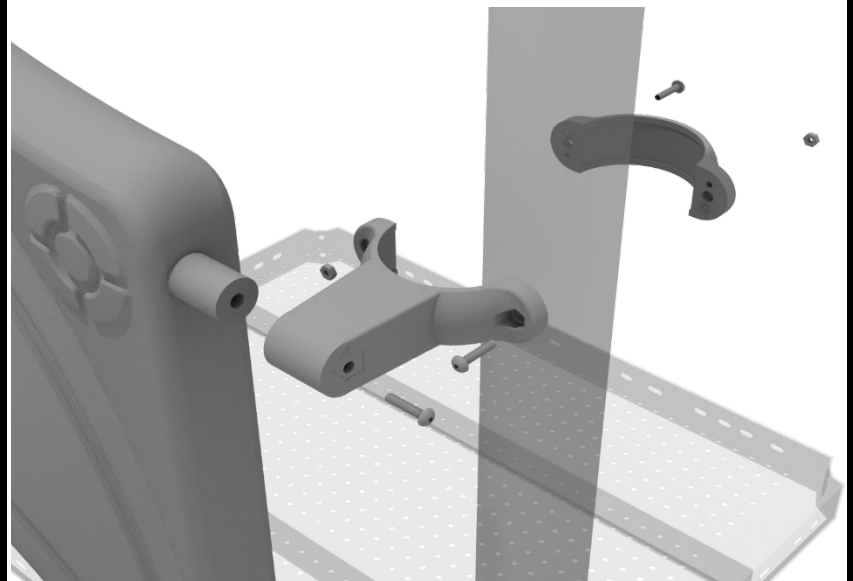
4.5-inch Tube Clamp Installation Example

Insert Bar on Component into one half of the Tube Clamp and attach with M4*25 Set Screw. Then, using the other half of the tube clamp and the hardware provided in the clamp hardware bag, attach the backside of the tube clamp around the post.



4.5-inch Double Slide Clamp Installation Example

Connect half of the double slide clamp to the double slide hood using one (1) M8*30 bolt. Then, using the other half of the clamp and the hardware provided in the clamp hardware bag, attach the backside of the double slide clamp around the post.

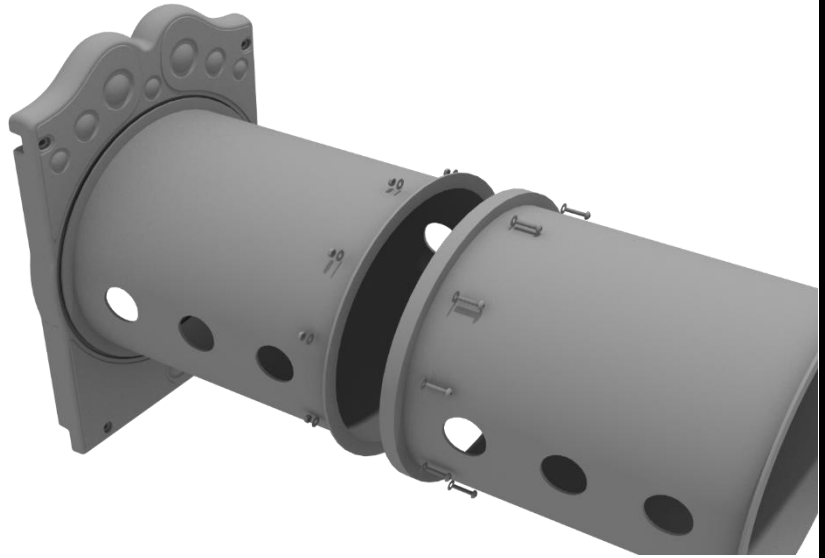


2-Section Tube Bridge Installation

STEP: 1

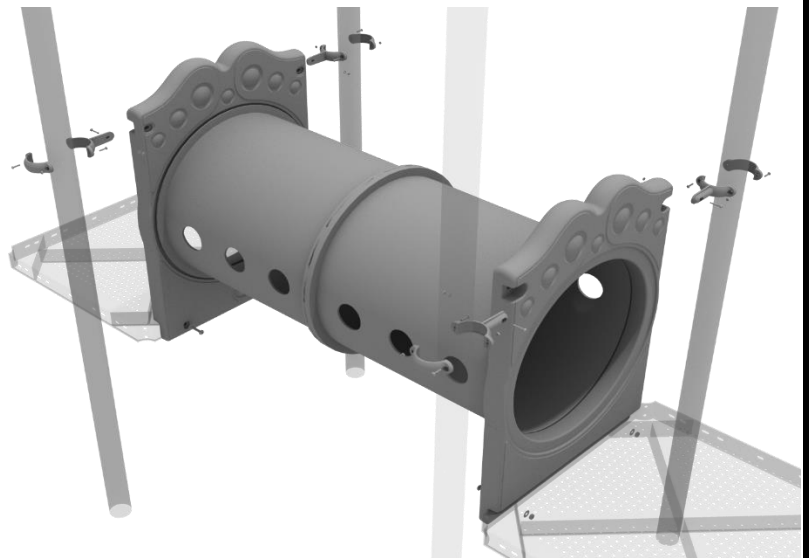
Take both sections of the tube bridge and attach them together using ten (10) M8*30 bolts, twenty (20) M8 washers, and ten (10) M8 lock nuts.

Note: Tree house tube bridge will require just eight (8) M8*30 bolts, sixteen (16) M8 washers, eight (8) M8 lock nuts.



STEP: 2

Attach each side of the tube bridge to the proper deck using two (2) M10*50 bolts, four (4) M10 washers, and two (2) M10 lock nuts. Then, attach the top of the tube bridge to the posts using one (1) tube clamp, one (1) M8*40 bolt, one (1) M8 washer, and one (1) M8 lock nut for each post attachment point.



Tube Slide/Bridge

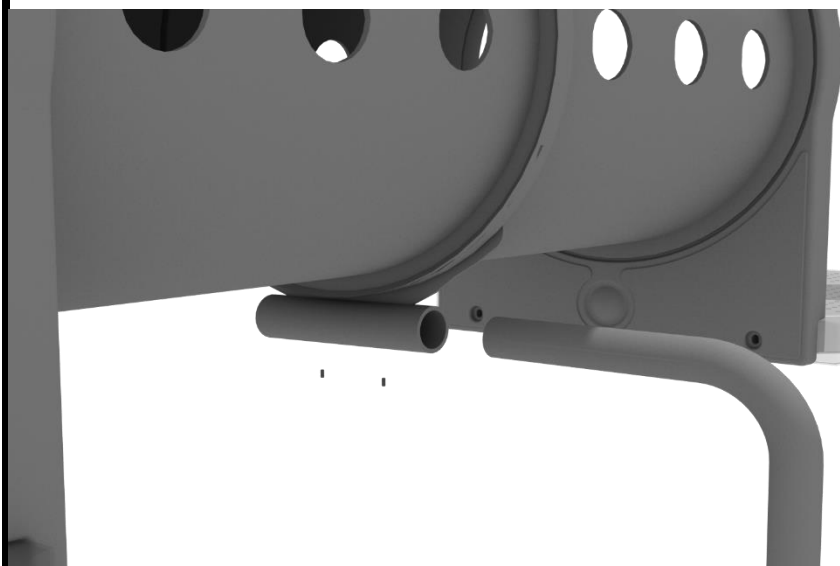
Attention: Any hardware on pre-attached tube slide or tube bridge supports (not including set screws) are to be disposed. Use supplied bolts and appropriate lock nuts in hardware box to avoid any safety hazards or safety violations.



2-Section Tube Bridge Installation

STEP: 3

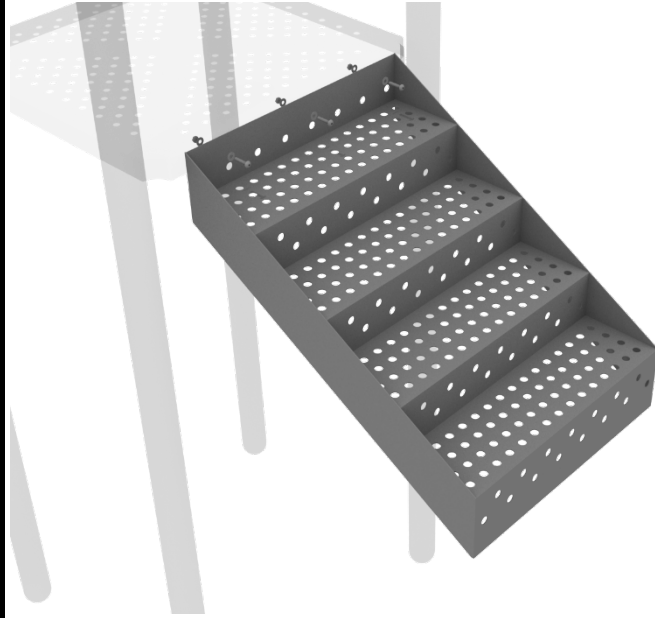
See general installation guide regarding footing information for the tube bridge support. Loosen the set screw pre-attached to the tube support bracket and insert the L-shaped support. Then screw the set screws back into place. Secure support bracket to tube using four (4) M8*37 bolt, eight (8) M8 washers and four (4) M8 washers.



5.0-inch 4-foot Transfer Station Install

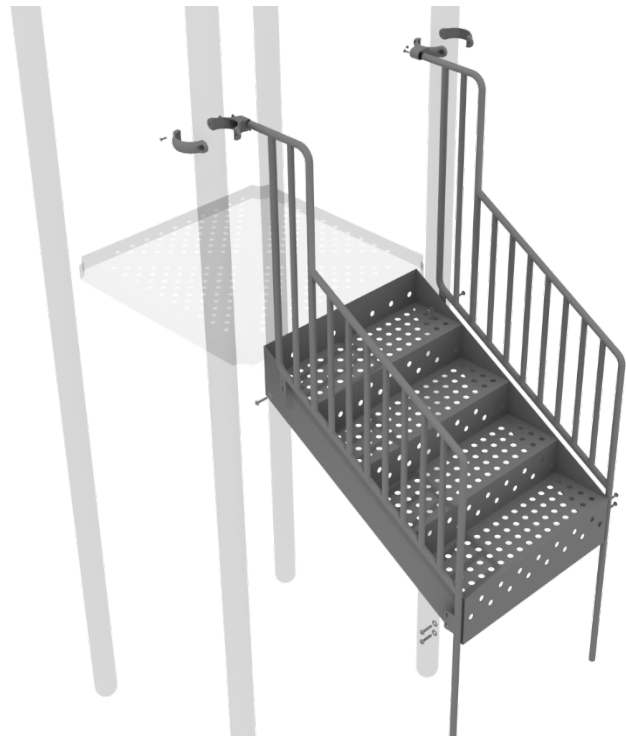
STEP: 1

Using three (3) M10*25 Bolts, six (6) M10 Washers, and three (3) M10 Lock Nuts, attach the top of the stairs to the half hex deck.



STEP: 2

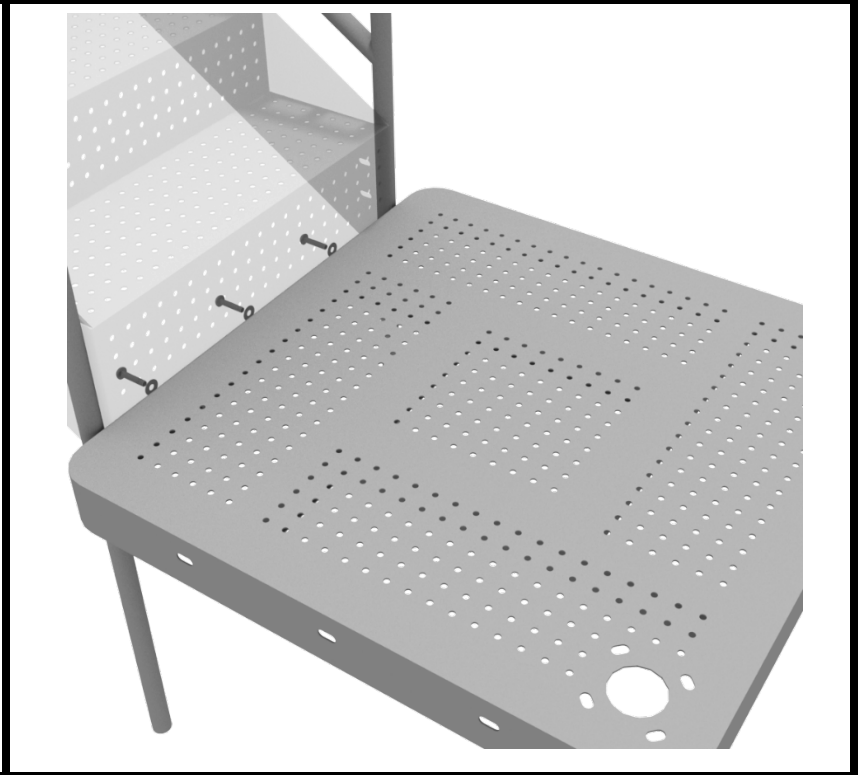
Attach the ADA Transfer Stair Handrails to the posts using Tube Clamps. Then using six (6) M10*25 Bolts, twelve (12) M10 Washers, and six (6) M10 Lock Nuts, attach the handrail to the bottom and side of the stairs.



5.0-inch 4-foot Transfer Station Install

STEP: 3

Using three (3) M10*25 Bolts, six (6) M10 Washers, and three (3) M10 Lock Nuts, attach the ADA transfer deck to the base of the 4-foot ADA transfer stair.



STEP: 4

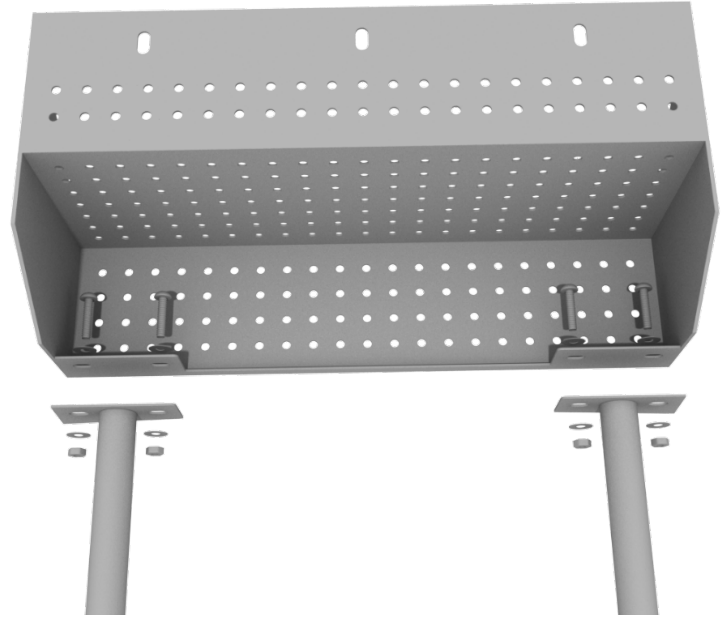
See general installation guide regarding footing information for the transfer deck handrail. Using four (4) M10*25 Bolts, eight (8) M10 Washers, and four (4) M10 Lock Nuts, attach each transfer deck handrail to the ADA transfer deck.



5.0-inch 4-foot Transfer Station Install

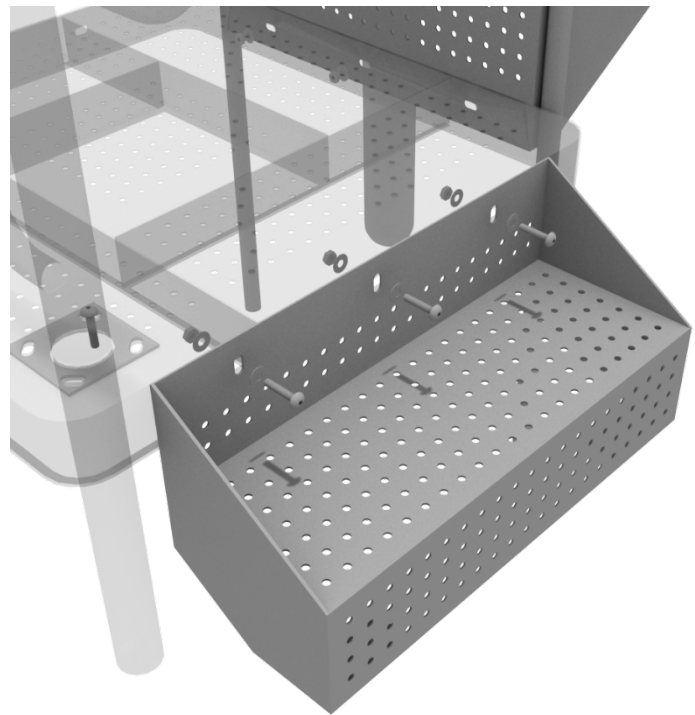
STEP: 5

See general installation guide regarding footing information for the ADA transfer step mount. Using two (2) M10*25 Bolts, four (4) M10 Washers, and two (2) M10 Lock Nuts, attach the transfer step to each ADA transfer step mounts.



STEP: 6

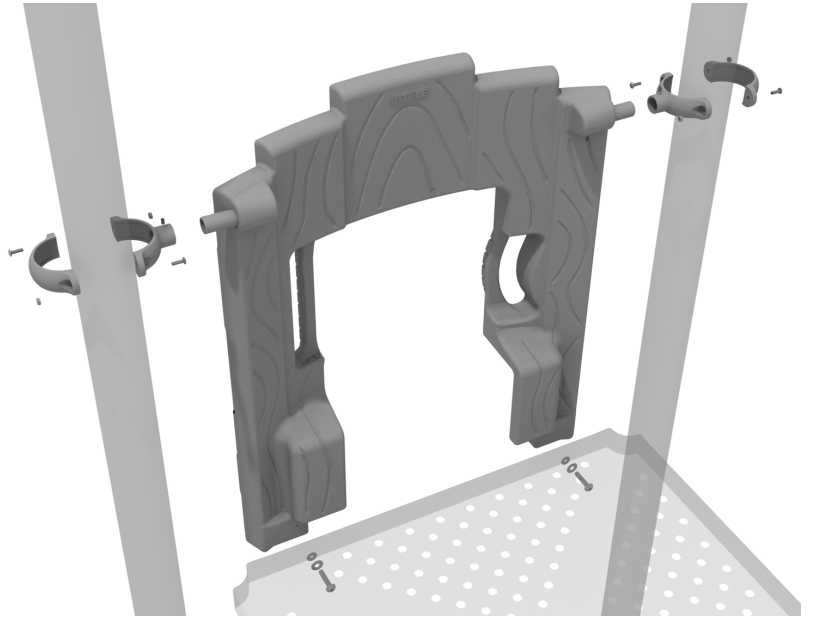
Using three (3) M10*25 Bolts, six (6) M10 Washers, and three (3) M10 Lock Nuts, attach the top of the ADA transfer step to the ADA transfer deck.



3-foot Straight Slide Installation

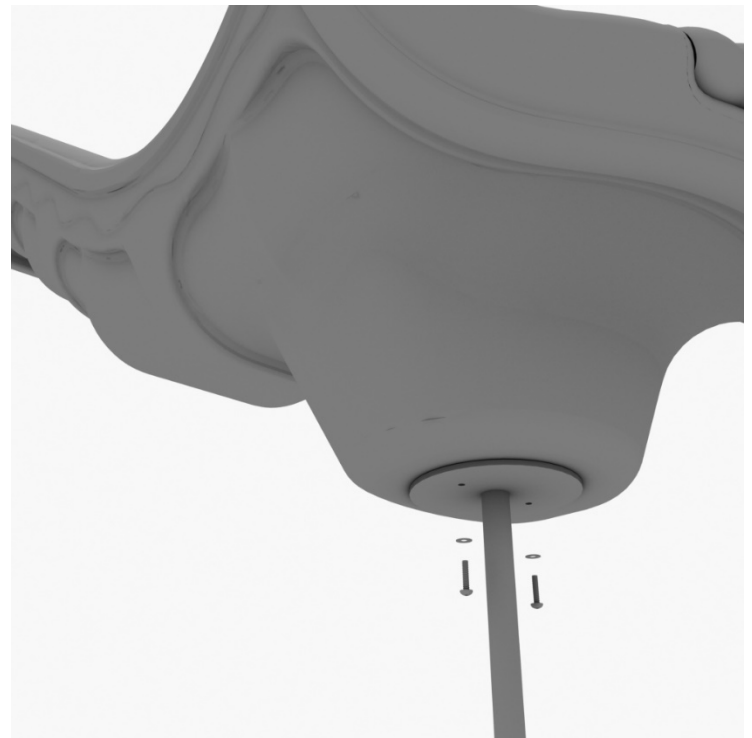
STEP: 1

To attach the tree house slide hood to a deck, take two tube clamps and attach them to the posts using two (2) M4*25 self-tapping screws. Then, attach the hood to the deck using two (2) M10*20 bolts, two (2) spring washer, four (4) M10 washers, and two (2) M10 lock nuts. Repeat this process for every single slide hood.



STEP: 2

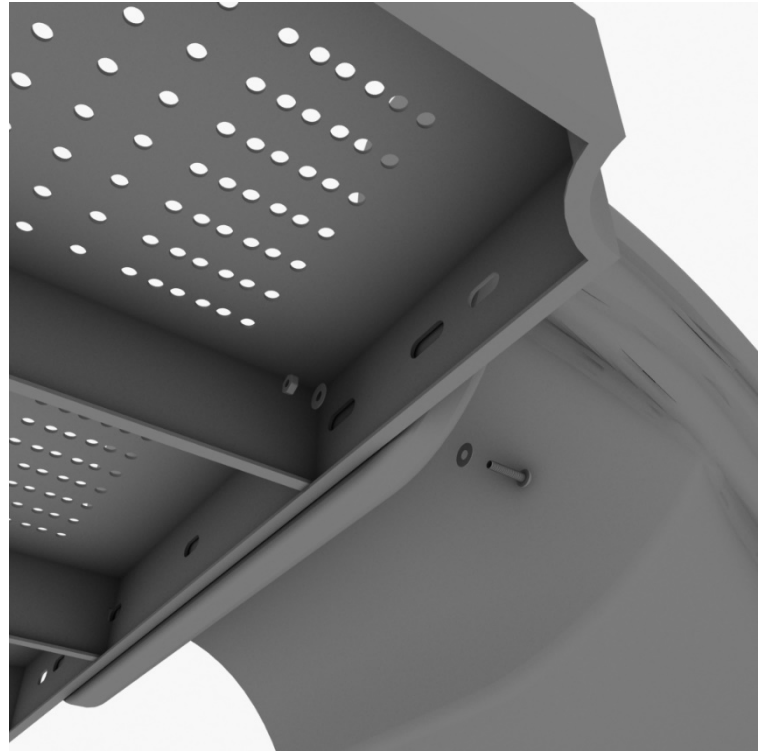
See general installation guide regarding footing information for the slide end mount. Using two (2) M8*20, two (M8) spring washers. And two (2) M8 washers, attach the slide to the slide support post.



3-foot Straight Slide Installation

STEP: 3

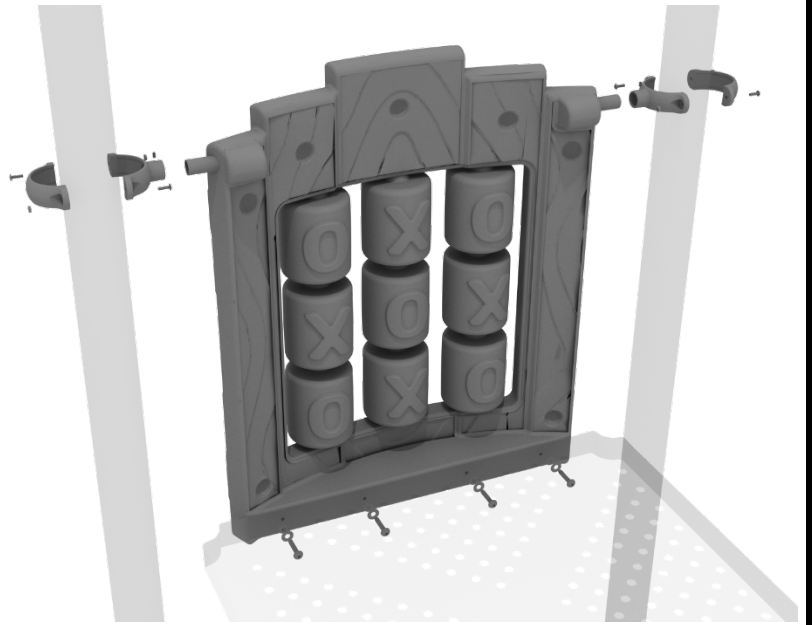
Using one (1) M10*45 bolt, two (2) M10 washers, and two (2) M10 lock nuts, attach one side of the slide to the deck.



5.0-inch Treehouse Tic Tac Toe Panel Installation

STEP: 1

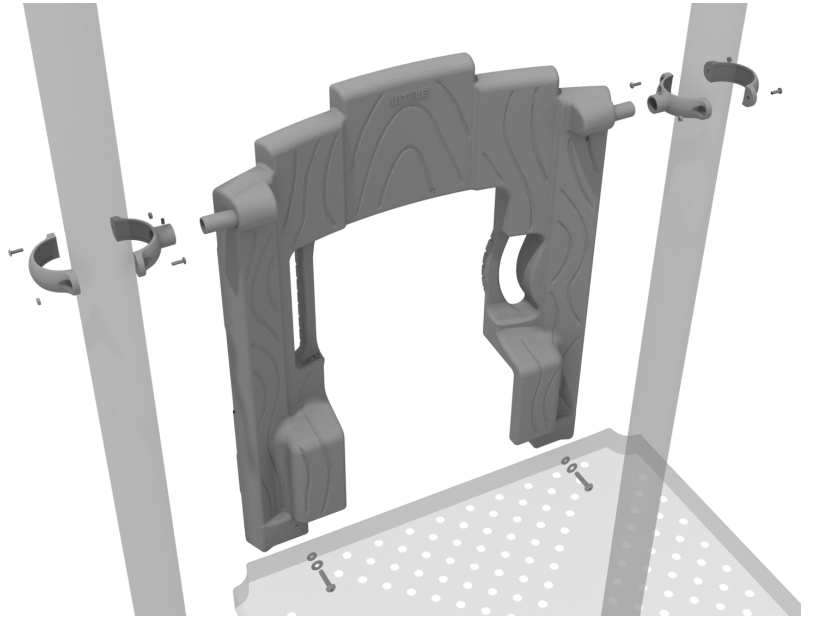
Attach the Treehouse Tic Tac Toe Panel to the designated posts using two (2) tube clamps and two (2) M4*25 Set Screws. Then, attach the bottom of the panel to the deck using four (4) M10*20 Bolts, four (4) M10 Washers, and four (4) M10 Lock Nuts.



3-foot Tree House Left Turn Slide Installation

STEP: 1

To attach the tree house slide hood to a deck, take two tube clamps and attach them to the posts using two (2) M4*25 self-tapping screws. Then, attach the hood to the deck using two (2) M10*20 bolts, two (2) spring washer, four (4) M10 washers, and two (2) M10 lock nuts. Repeat this process for every single slide hood.



STEP: 2

See general installation guide regarding footing information for the slide end mount. Using two (2) M8*20, two (M8) spring washers. And two (2) M8 washers, attach the slide to the slide support post.



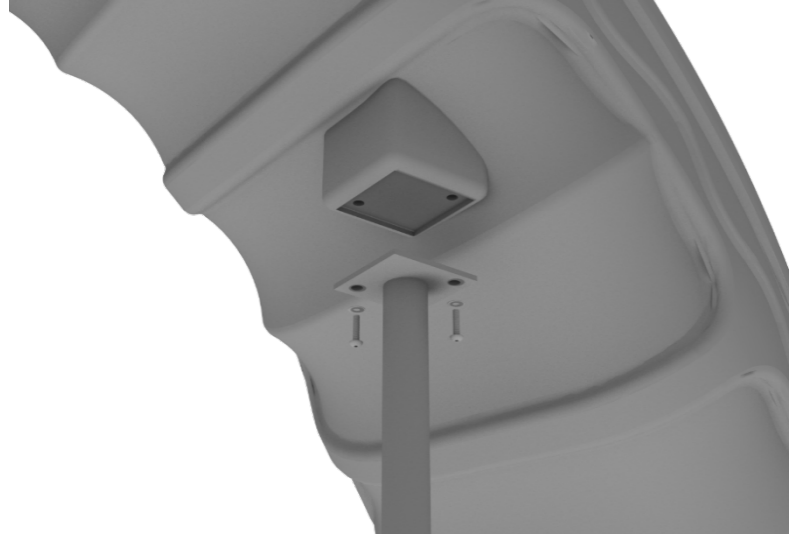
1 Playground Drive
Greenfield, IN 46140
1-800-667-0097

Created By: Aaron Price
Date: 03/19/2018

3-foot Tree House Left Turn Slide Installation

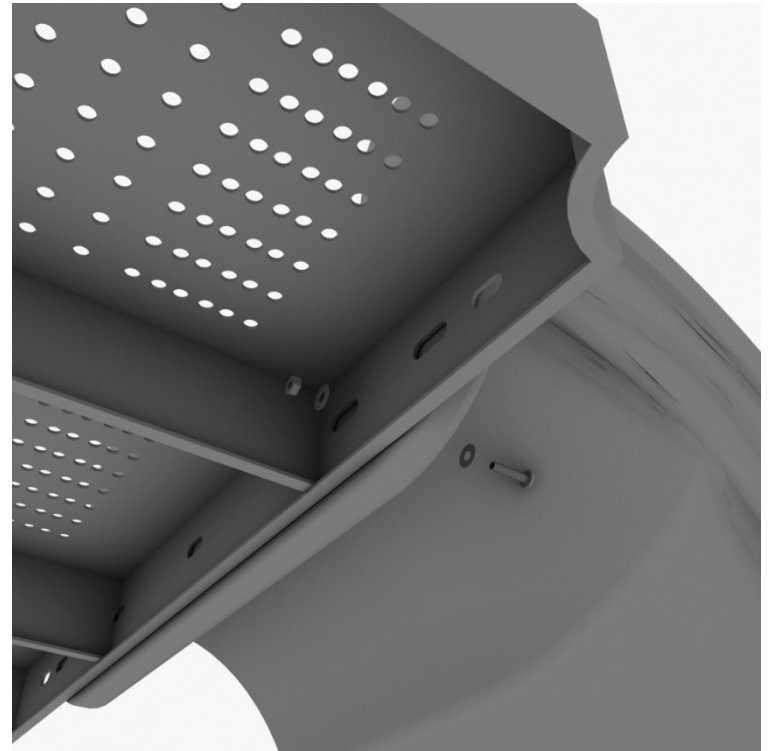
STEP: 3

See general installation guide regarding footing information for the middle slide support. Using two (2) M8*20 bolts, two (2) M8 spring washers, and two (2) M8 washers, attach the middle slide support post.



STEP: 4

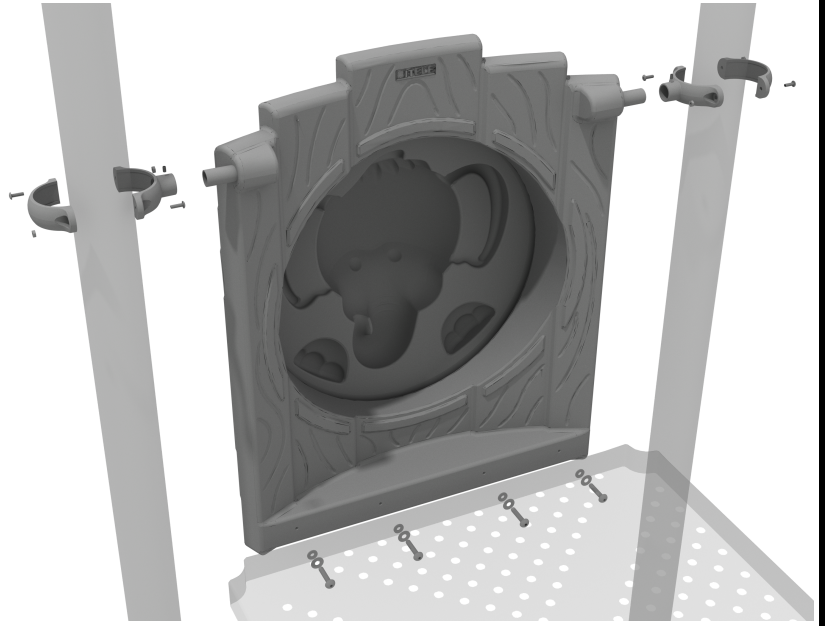
Using one (1) M10*45 bolt, two (2) M10 washers, and two (2) M10 lock nuts, attach one side of the slide to the deck.



5.0-inch Treehouse Elephant Panel Installation

STEP: 1

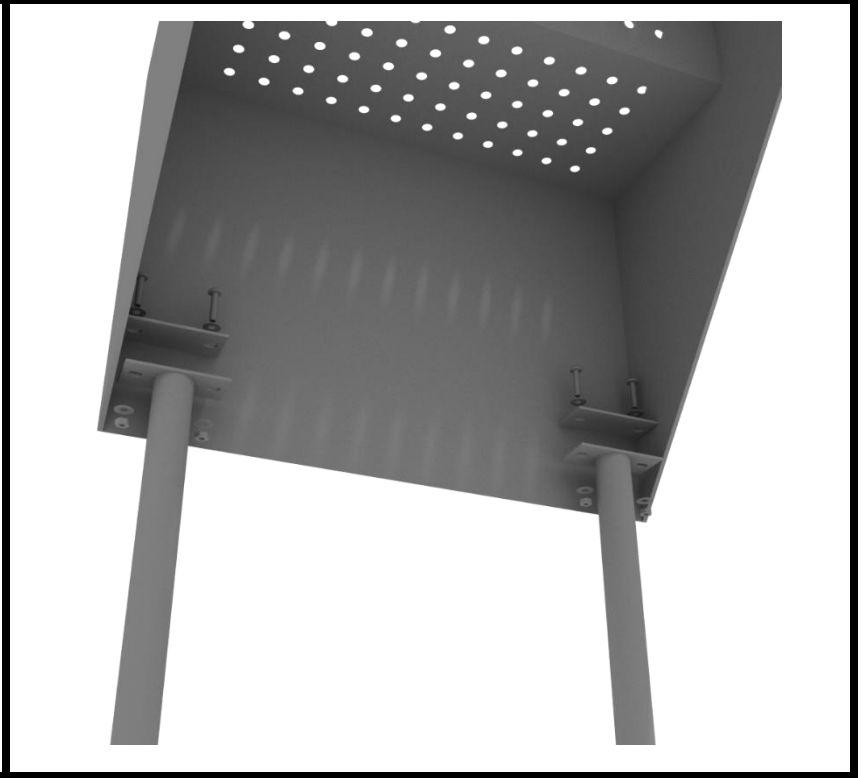
Attach the Treehouse Elephant Panel to the designated posts using two (2) tube clamps and two (2) M4*25 Set Screws. Then, attach the bottom of the panel to the deck using four (4) M10*20 Bolts, four (4) M10 Washers, and four (4) M10 Lock Nuts.



Elephant Stair Install

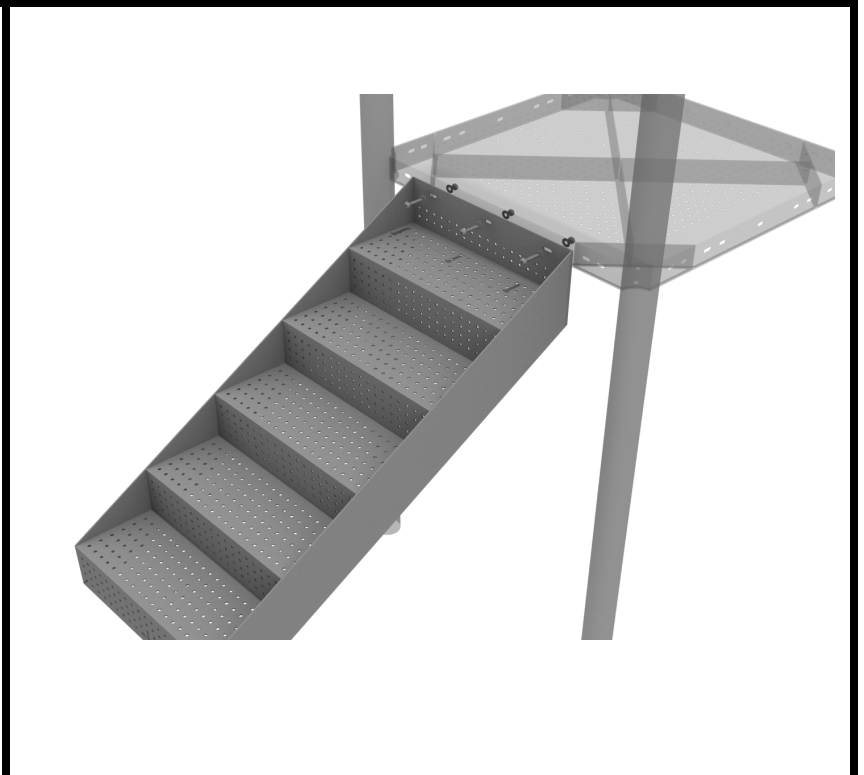
STEP: 1

See general installation guide footing information regarding installation of the stair support. Using two (2) M10*25 bolts, four (4) M10 washers, and two (2) M10 lock nuts, attach one support to the stair. Repeat this process for the other stair support.



STEP: 2

Using three (3) M10*25 bolts, six (6) M10 washers and three (3) lock nuts attach the top of the stairs to the deck.

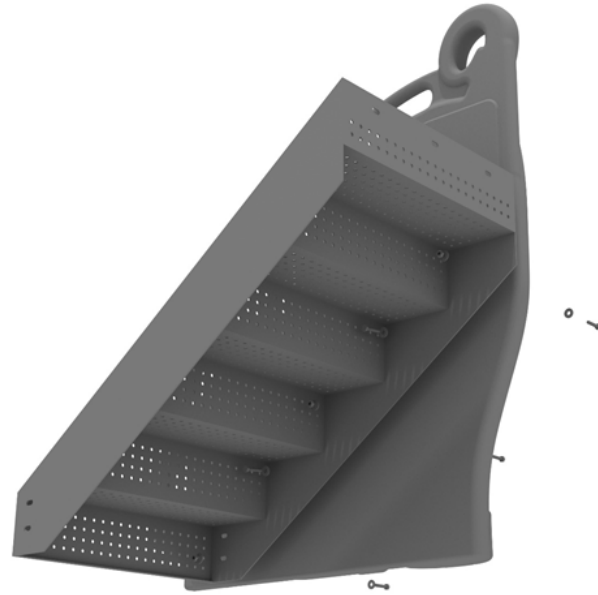


Elephant Stair Install

STEP: 3

Inside: To attach the stairs to the Elephant panel use two (2) M10*25 bolts, two (2) M10 spring washers and two (2) M10 washers per side.

Outside: Use one (1) M10*45 bolt for top section, one (1) M10*60 bolt on middle section, one (1) M10*100 bolt for bottom section. Use two (2) M10 washers and one (1) M10 lock nut per bolt. Using plastic cap to cover outer bolt areas.

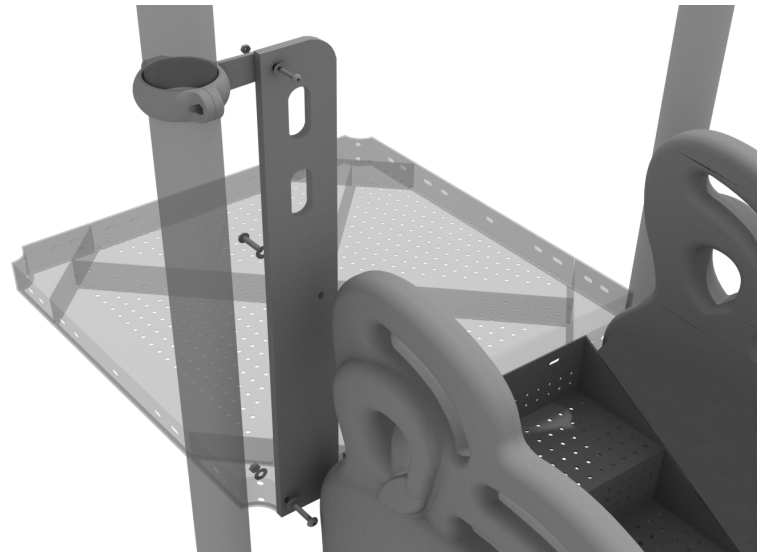


Step: 4

Top: Using one (1) M8*37 bolt, one (1) M8 washer and one (1) M8 lock nut secure PE Panel to the flat clamp per side. *Note: Use plastic protective cap on back end.*

Middle: To secure the middle use one (1) M8*20 bolt, one (1) M8 lock washer and one (1) M8 washer.

Bottom: Then using one M10*35 bolt, two (2) M10 washers and M10 lock Nut secure PE Panel to deck per side.



Treehouse Club House Roof Installation

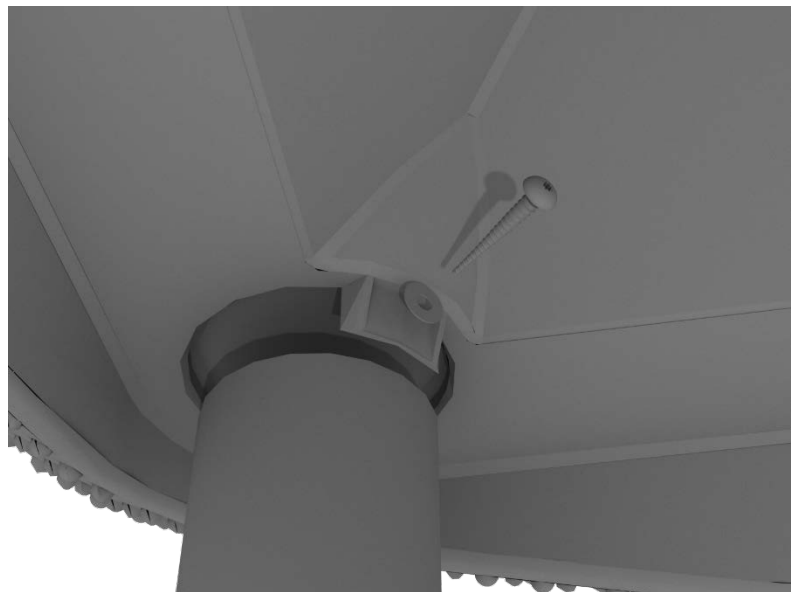
STEP: 1

Place the Club House roof on to the top of the posts of the appropriate deck.



STEP: 1

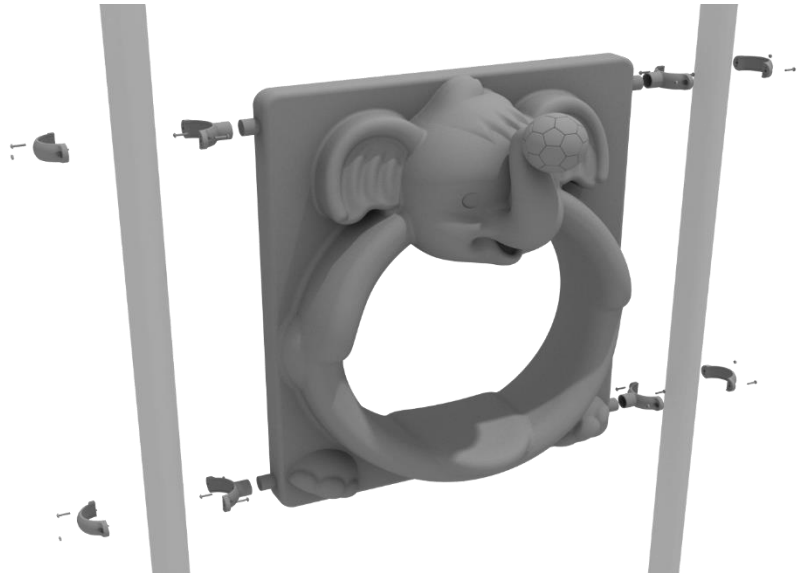
Install the Club House roof by using four (4) M4*50 Self Tapping screws, and four (4) M8 Washers.



4.5inch Elephant Panel Installation

STEP: 1

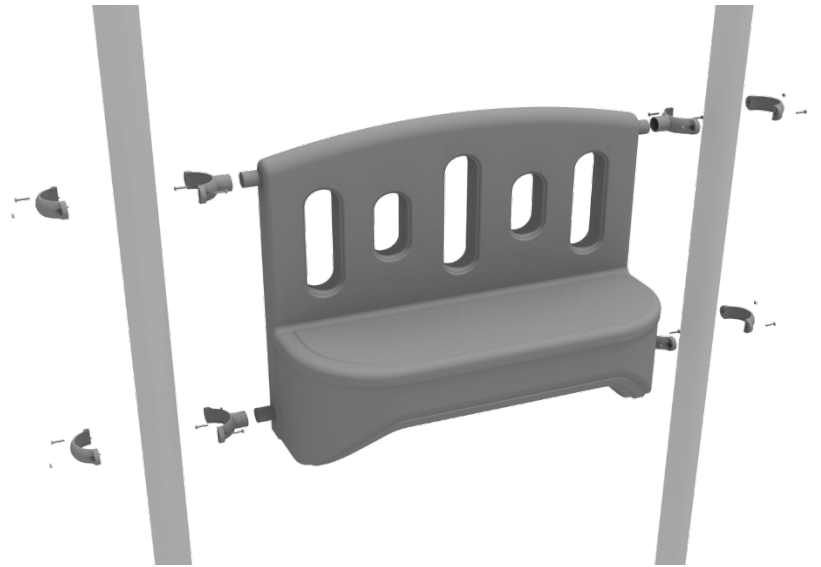
Attach the Elephant Panel to the designated posts using four (4) 3.5-inch flat clamps, and four (4) M4*25 self tapping screw.



4.5-inch Bench Installation

STEP: 1

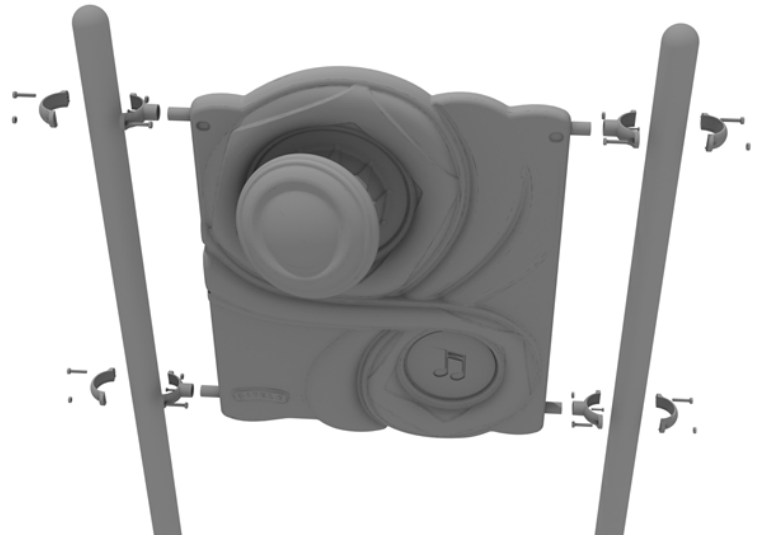
Connect the bench panel to the designated post using four (4) 4.5-inch tube clamps.



4.5-inch Drum Beats Installation

STEP: 1

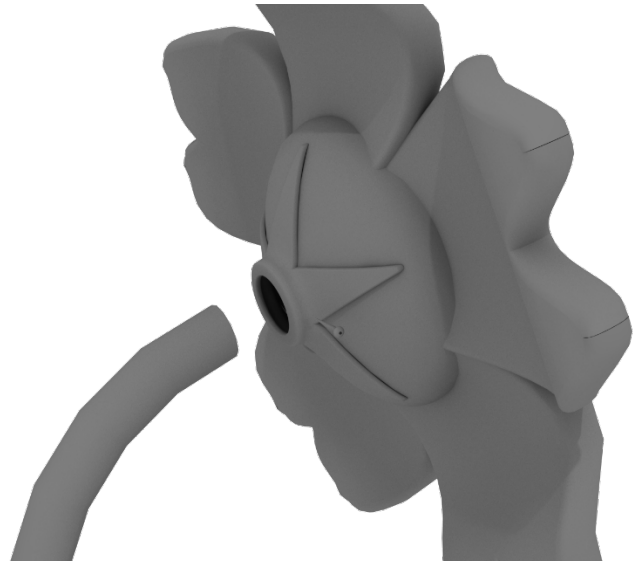
Connect the Drum Beats to the designated post using four (4) 4.5-inch tube clamps.



Palm Flower Face Topper Installation

STEP: 1

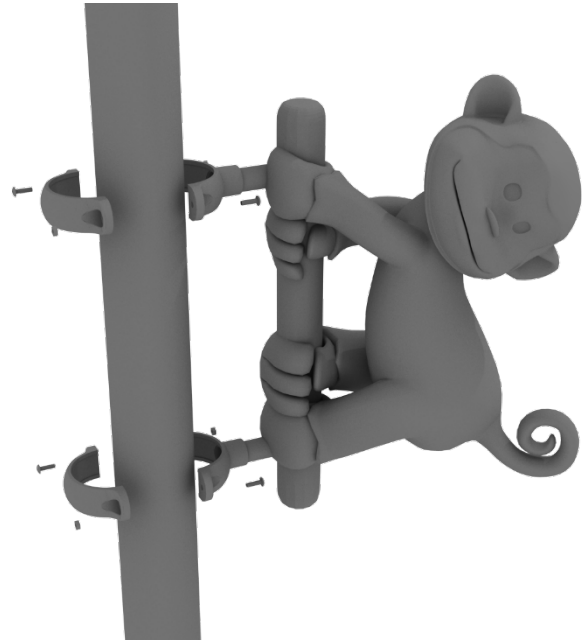
Place the Flower Face Topper onto the provided post. Use three (3) M8*35 set screws and three (3) M*8 Washers to attach the Flower Face Topper to the post.



Monkey Topper Installation

STEP: 1

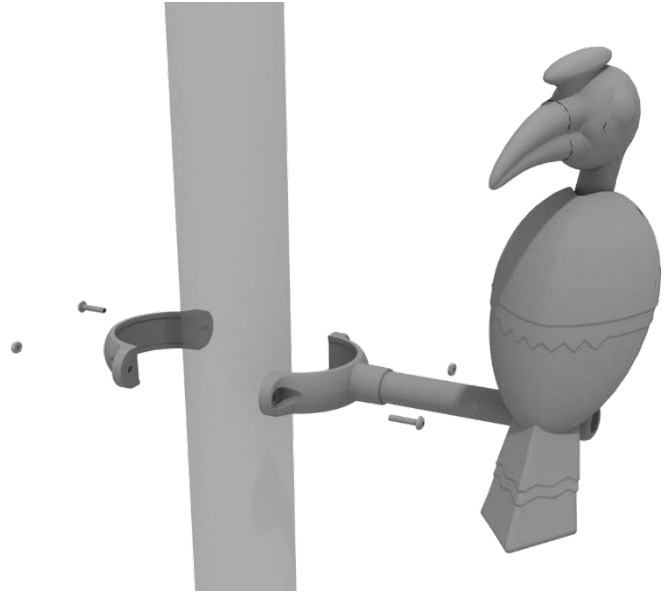
The hardware and clamps come pre-attached to the Monkey Topper. To install undo the bolts holding the two halves of the Tube Clamps together, then place around the desired post and re-assemble the Tube Clamp.



Parrot Topper Installation

STEP: 1

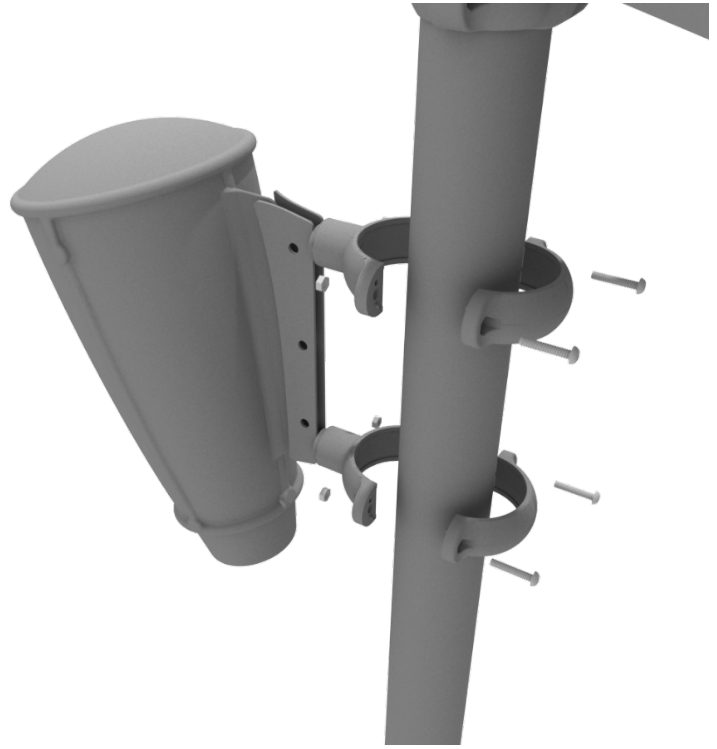
Detach half of the tube clamp connected to the Parrot Topper, and re-attach the clamp around the support post, as shown.



Single Drum Installation

STEP: 1

Detach half of the tube clamps connected to the Single Drum, and re-attach the clamps around the support post, as shown in the image. Recommended install height is 20 to 36 inches above surfacing depending on age range.



Rain Wheel Installation

STEP: 1

Detach half of the tube clamp connected to the Rain Wheel, and re-attach the clamp around the support post, as shown in the picture. Recommended install height is 20 to 36 inches above surfacing depending on age range.

