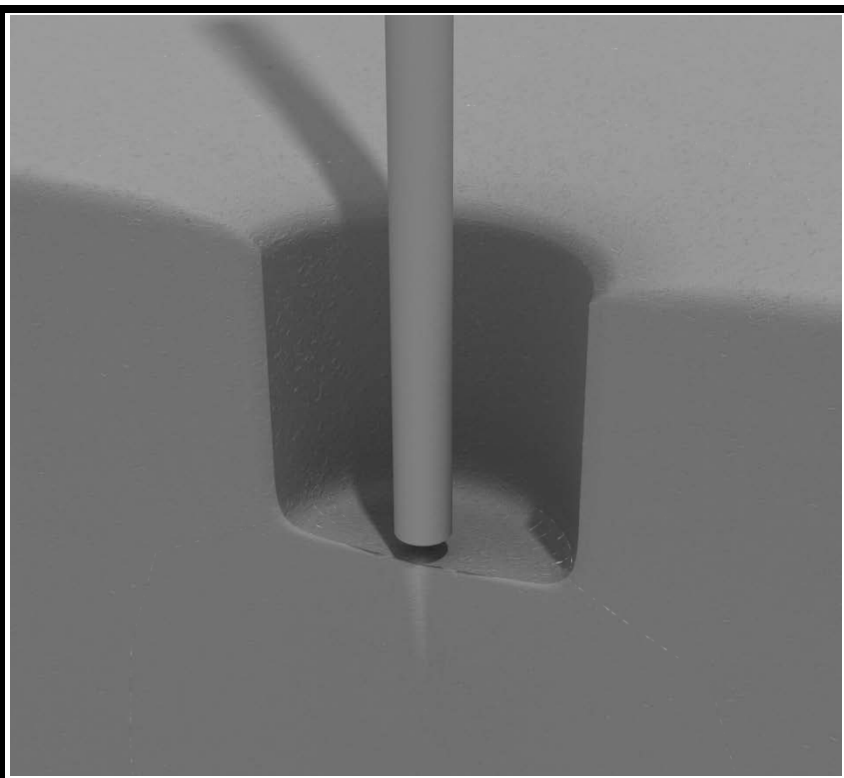


STEP: 1

**DO NOT CEMENT POSTS INTO PLACE
UNTIL THE ENTIRE STRUCTURE IS
ASSEMBLED.**

Refer to the General Installation
guide footing information and dig
proper holes for the support posts.



Square Deck Installation

STEP: 1

After the posts are in place, using four (4) M10*35 Bolts, eight (8) M10 Washers, and four (4) M10 Lock Nuts, attach each square deck to each pre-attached deck clamp as shown in the image.

Deck clamps are pre-attached to the posts and should not be altered in any way.



Right Triangle Deck Installation

STEP: 1

After the posts are in place, using three (3) M10*35 bolts, six (6) M10 washers, and three (3) M10 lock nuts, attach the triangle deck to each pre-attached deck clamp as shown in the image.

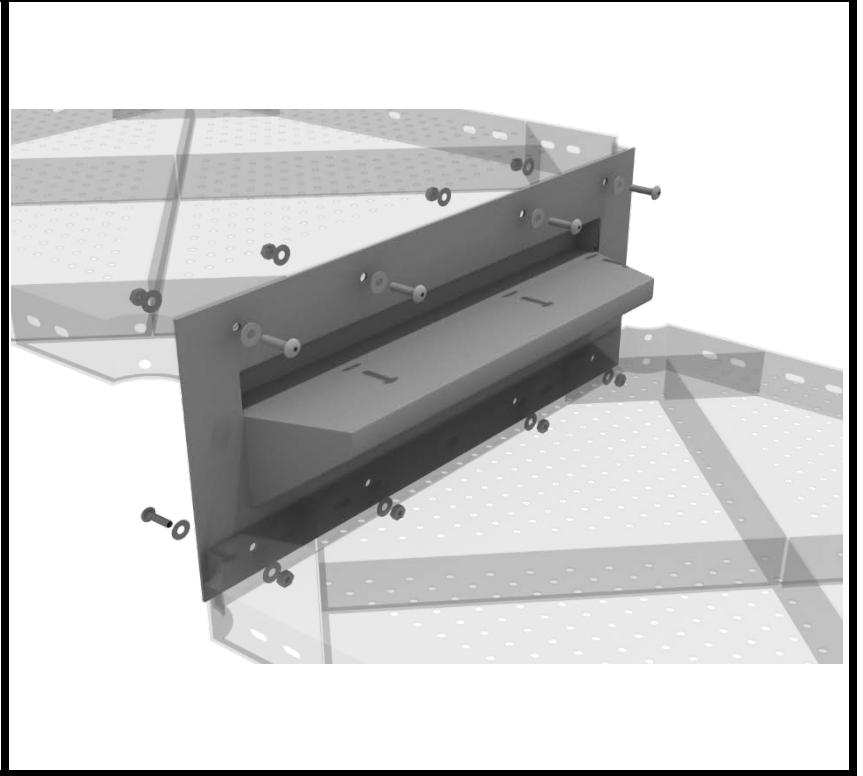
Deck clamps are pre-attached to the posts and should not be altered in any way.



Kickplate Install

STEP: 1

Using twelve (12) M10*25 bolts, twenty-four (24) M10 washers, and twelve (12) M10 lock nuts, attach the kickplate to the proper decks.



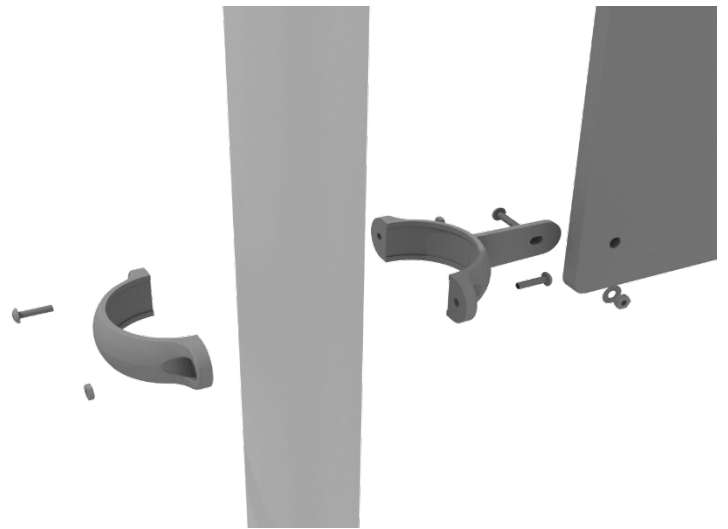
5.0-inch Clamp Installation Examples

The following two pages will include examples of how to install some of the most common types of Clamps that are present on our structures that use 5.0-inch outside diameter posts. The structure that you are assembling might not require all the types of clamps listed in these examples.

The Install Guides for specific components that come later in this document might call for a specific type of clamp (a tube clamp for example), those sections will not include detailed instructions for the clamps and should direct you back to this section for more detailed information.

Flat Clamp Installation Example

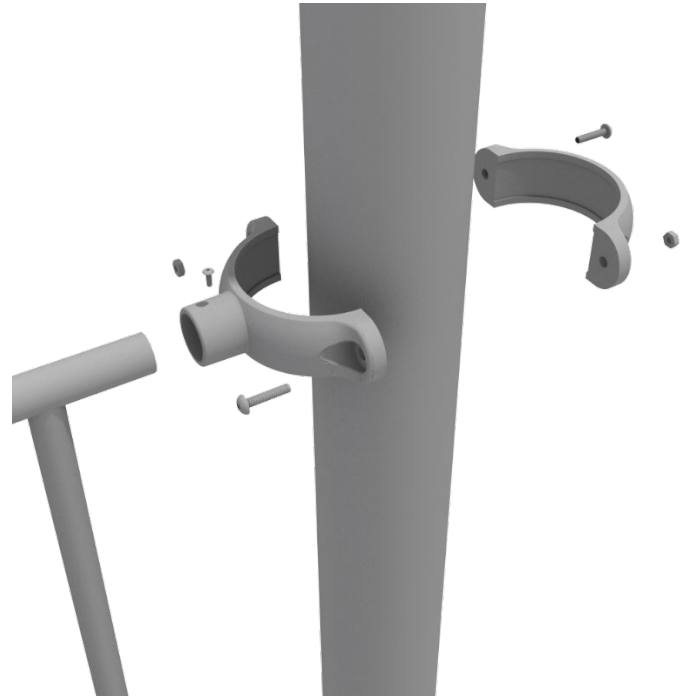
Connect half of the flat clamp to the component using one (1) M8*30 bolt and Lock Nut. Then, using the other half of the flat clamp and the hardware provided in the clamp hardware bag, attach the backside of the flat clamp around the post.



5.0-inch Clamp Installation Examples

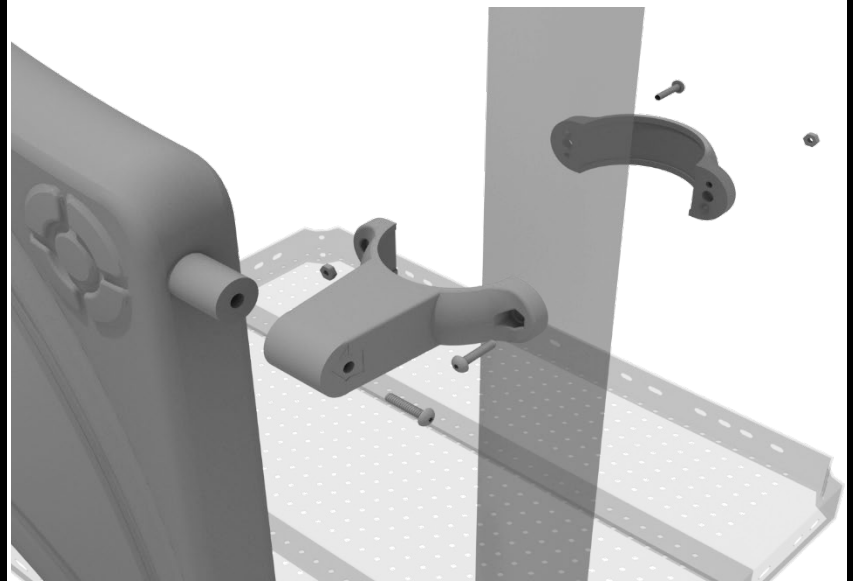
Tube Clamp Installation Example

Insert Bar on Component into one half of the Tube Clamp and attach with M4*25 Set Screw. Then, using the other half of the tube clamp and the hardware provided in the clamp hardware bag, attach the backside of the tube clamp around the post.



Double Slide Clamp Installation Example

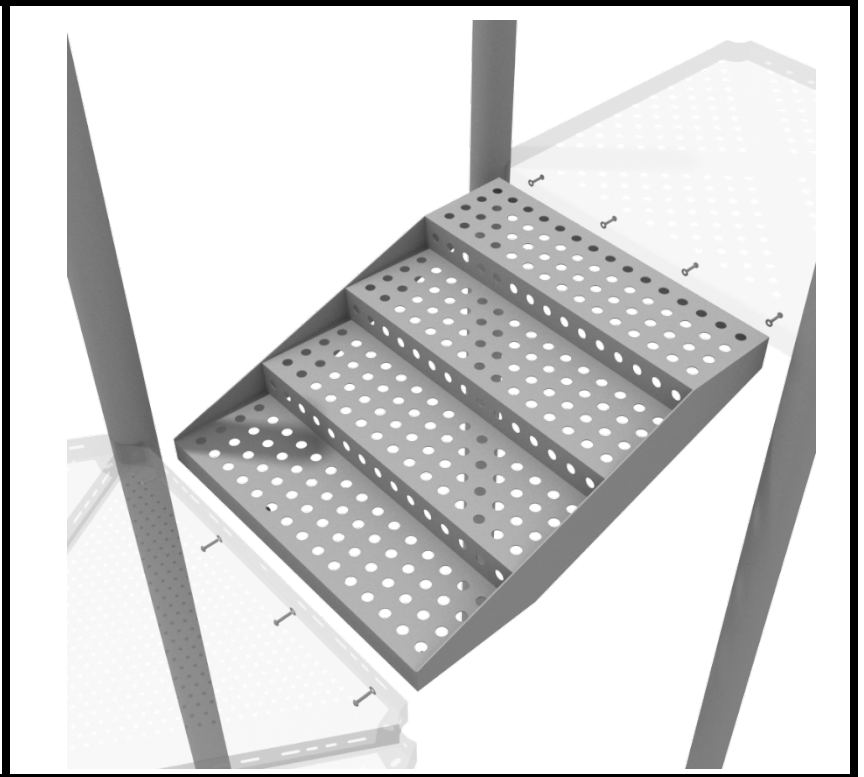
Connect half of the double slide clamp to the double slide hood using one (1) M8*30 bolt. Then, using the other half of the clamp and the hardware provided in the clamp hardware bag, attach the backside of the double slide clamp around the post.



4.5-inch Middle Stair Install

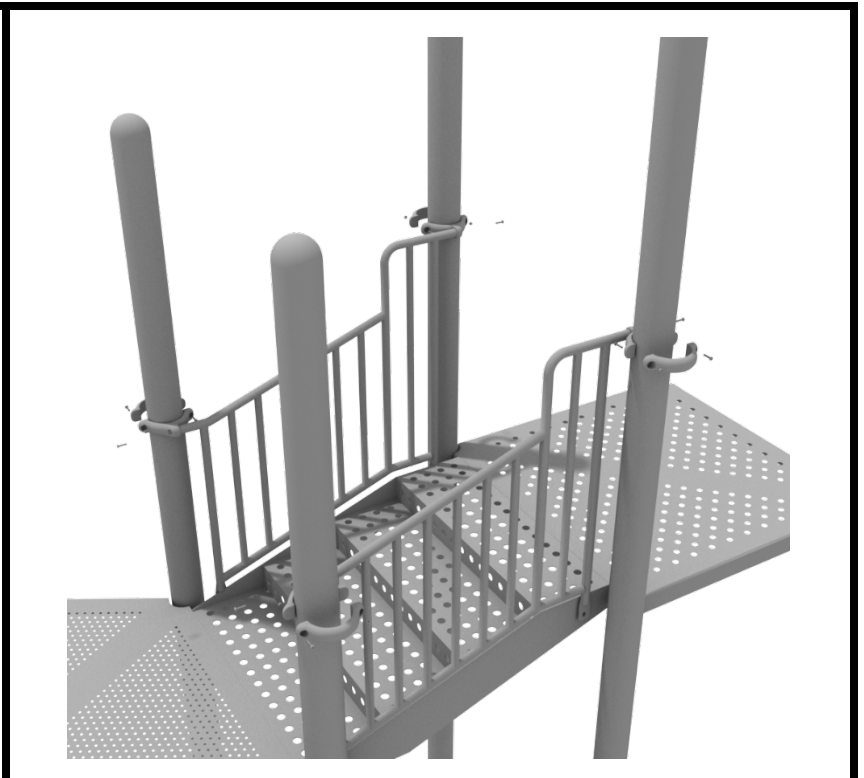
STEP: 1

Using eight (8) M10*25 bolts, sixteen (16) M10 washers, and eight (8) M10 lock nuts, connect the middle stair from one deck to the next.



STEP: 2

Connect half of each 4.5-inch Offset clamp to the middle handrail using one (1) M8*35 bolt. Set the handrail into place, then attach the second half of the clamp using the hardware provided in the clamp bag. Repeat this process for the other handrail. Then, using two (2) M10*25 bolts, four (4) M10 washers, and two (2) M10 lock nuts, attach the bottom of the handrail to the side of the stair.



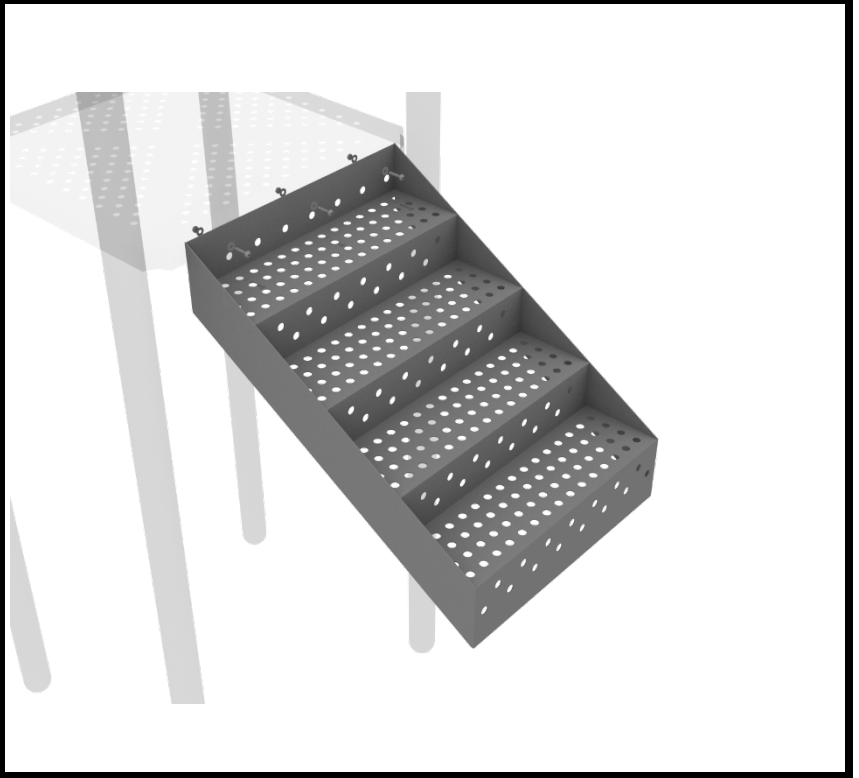
1 Playground Drive
Greenfield, IN 46140
1-800-667-0097

Created By: Aaron Price
Date Modified: 05/10/18

5.0-inch 4-foot Transfer Station Install

STEP: 1

Using three (3) M10*25 Bolts, six (6) M10 Washers, and three (3) M10 Lock Nuts, attach the top of the stairs to the half hex deck.



STEP: 2

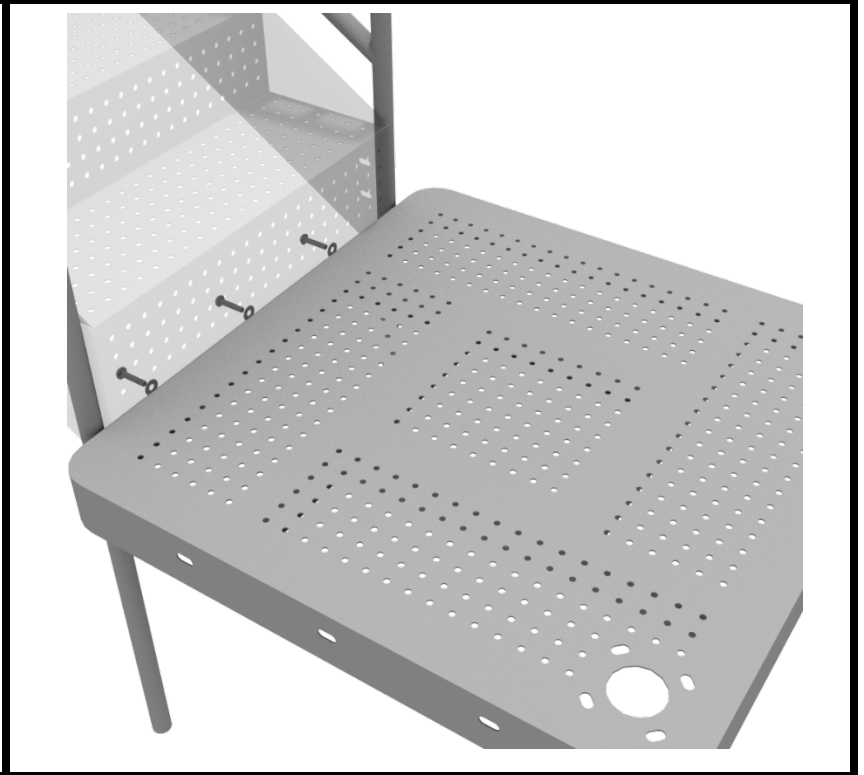
Attach the ADA Transfer Stair Handrails to the posts using Offset Clamps. Then using six (6) M10*25 Bolts, twelve (12) M10 Washers, and six (6) M10 Lock Nuts, attach the handrail to the bottom and side of the stairs.



5.0-inch 4-foot Transfer Station Install

STEP: 3

Using four (4) M10*25 Bolts, eight (4) M10 Washers, and four (4) M10 Lock Nuts, attach the ADA transfer deck to the base of the 4-foot ADA transfer stair.



STEP: 4

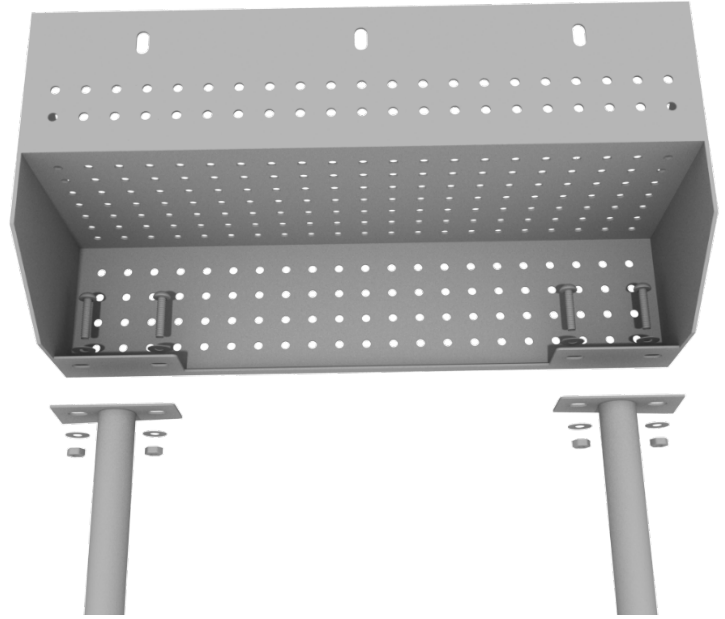
See general installation guide regarding footing information for the transfer deck handrail. Using four (4) M10*25 Bolts, eight (8) M10 Washers, and four (4) M10 Lock Nuts, attach each transfer deck handrail to the ADA transfer deck.



5.0-inch 4-foot Transfer Station Install

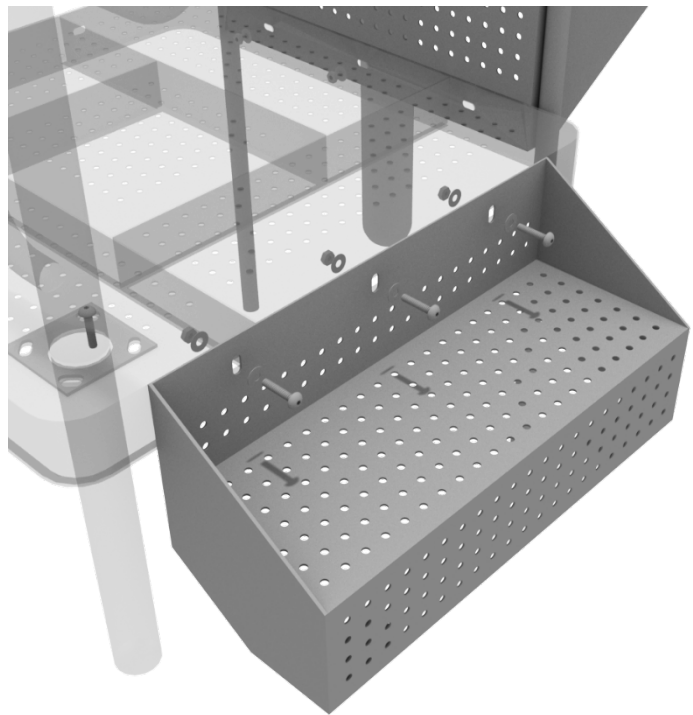
STEP: 5

See general installation guide regarding footing information for the ADA transfer step mount. Using two (2) M10*25 Bolts, four (4) M10 Washers, and two (2) M10 Lock Nuts, attach the transfer step to each ADA transfer step mounts.



STEP: 6

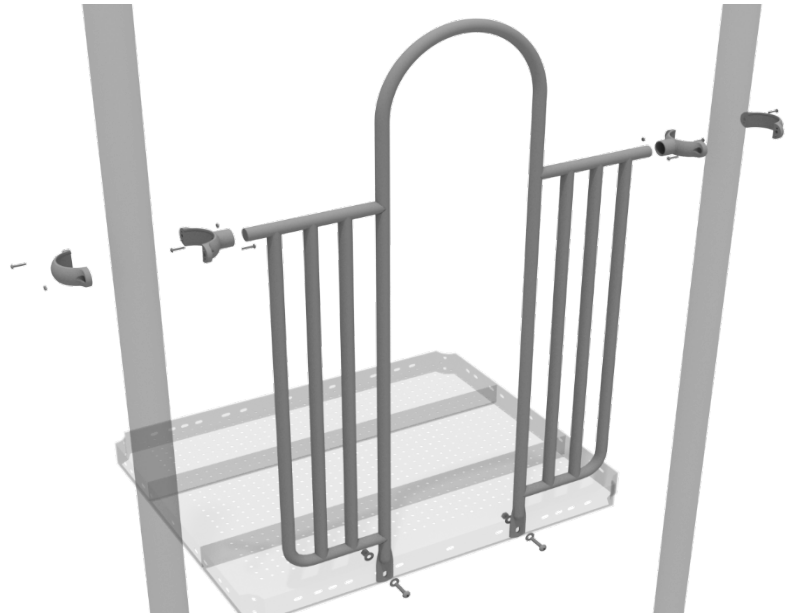
Using three (3) M10*25 Bolts, six (6) M10 Washers, and three (3) M10 Lock Nuts, attach the top of the ADA transfer step to the ADA transfer deck.



4.5-inch 2-Clamp Arch Rail Installation

STEP: 1

Attach each two-clamp arch rail to the designated deck by using two (2) tube clamps, and two (2) M4*25 self-tapping screws to attach the top of the panel to the posts. Then use two (2) M10*25 bolts, four (4) M10 washers, and two (2) M10 lock nuts to attach the panel to the deck.

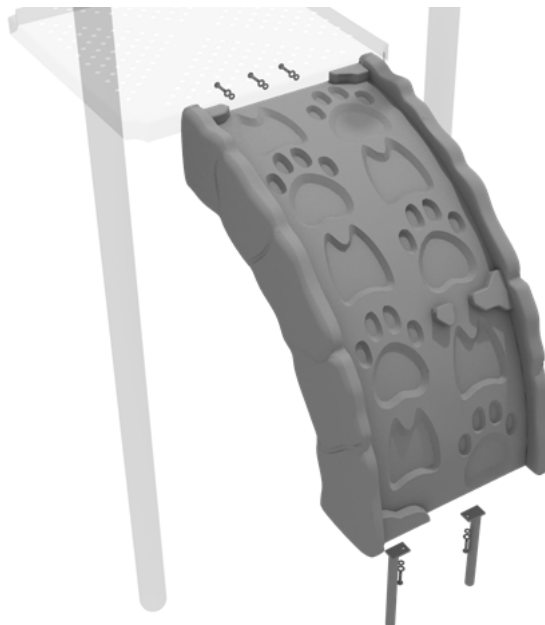


Paw Print Climber Installation

See general installation guide regarding footing information for climbers.

Using two (2) M10*20 Bolts, two (2) M10 Spring Gaskets, and two (2) M10 Washers, attach the bottom of the Paw Print climber to the climber support posts.

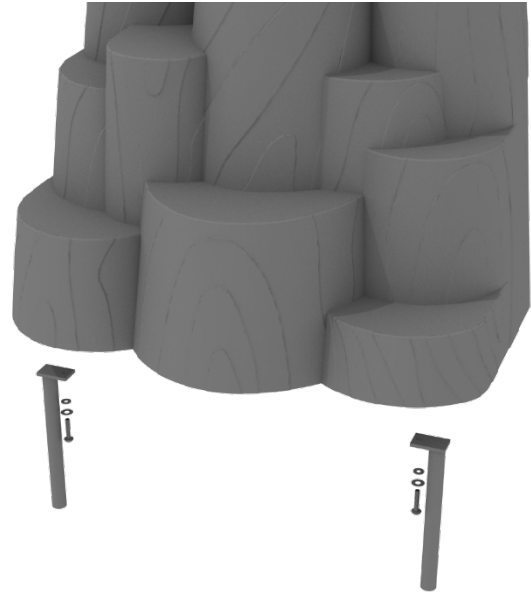
Then, using three (3) M10*35 Bolts, three (3) M10 Spring Washers, and three (3) M10 Washers, attach the Paw Print climber to the deck.



Stump Climber Installation

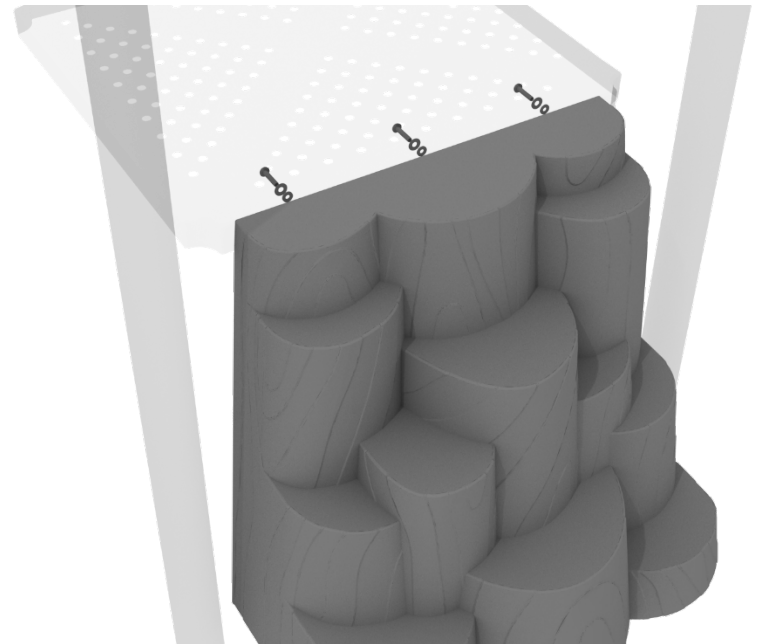
STEP: 1

See general installation guide regarding footing information for climbers. Using two (2) M10*20 Bolts, two (2) M10 Spring Gaskets, and two (2) M10 Washers, attach the bottom of the rock whole climber to the climber support posts.



STEP: 1

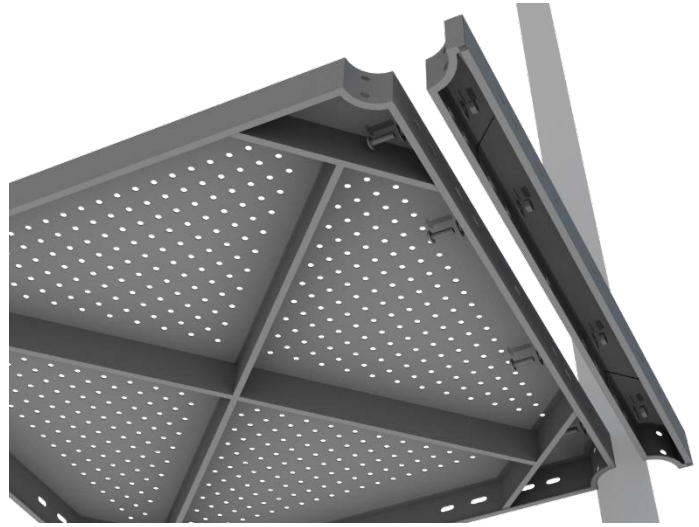
Then, using three (3) M10*35 Bolts, three (3) M10 Spring Washers, and three (3) M10 Washers, attach the Rock hole climber to the deck.



5-foot Double Wave Slide Installation

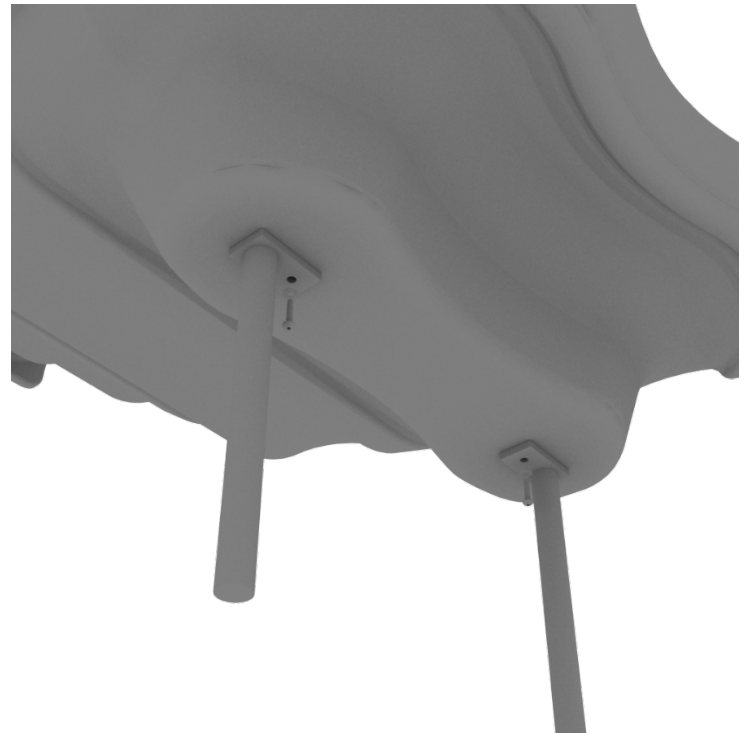
STEP: 1

For the double slide, you will first need to attach the double slide deck extension. This will require four (4) M10*25 bolts, eight (8) M10 washers, and four (4) M10 lock nuts.



STEP: 2

Then, See general installation guide regarding footing information for the double slide end mounts. Using two (2) M8*20 bolts, two (2) M8 spring gaskets, and two (2) M8 washers, attach the slide end mounts to the double slide.



5-foot Double Wave Slide Installation

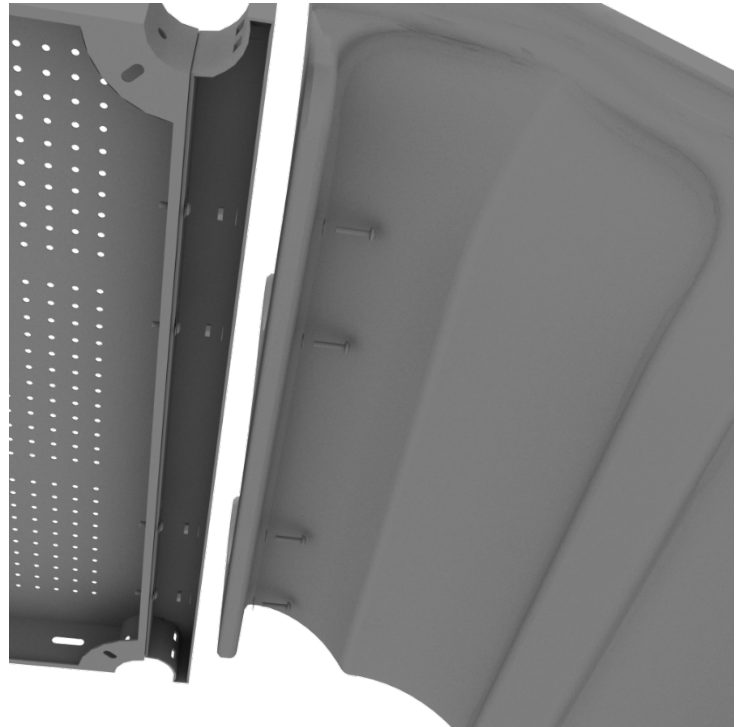
STEP: 3

Then, See general installation guide regarding footing information for the double slide middle support. Attach the middle support to the slide using two (2) M8*20 bolts, two (2) M8 spring washers, and two M8 washers.



STEP: 4

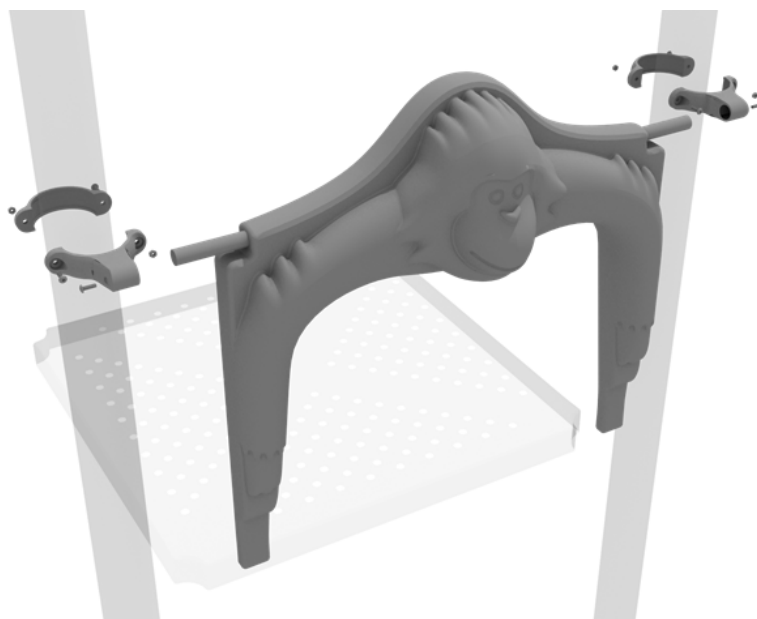
Then, attach the slide to the deck extension using four (4) M10*45 bolts, eight (8) M10 washers, and four (4) M10 lock nuts.



5-foot Double Wave Slide Installation

STEP: 5

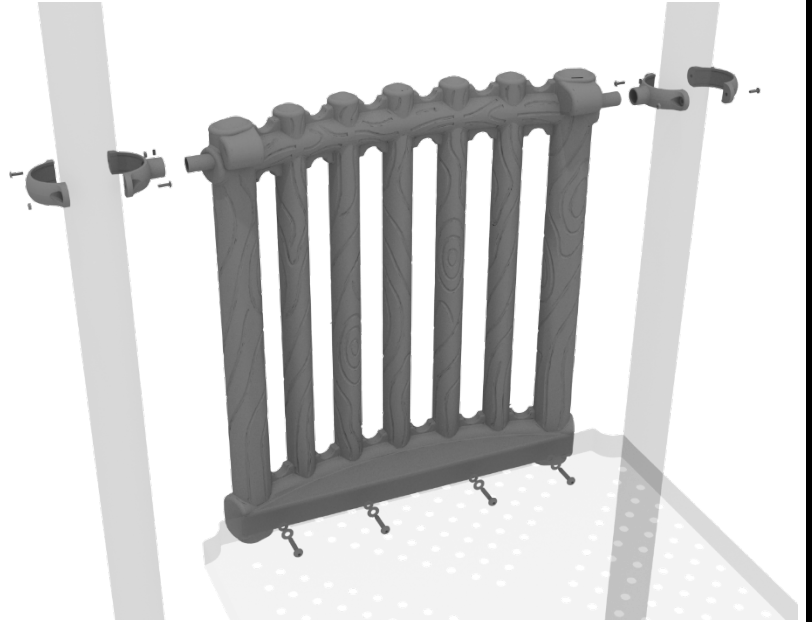
Once the slide is attached, take the tree house double slide hood and insert hood into the top of the slide, and then attach the top using two (2) double slide clamps, and two (2) M8*30 bolts.



5.0-inch Bamboo Panel Installation

STEP: 1

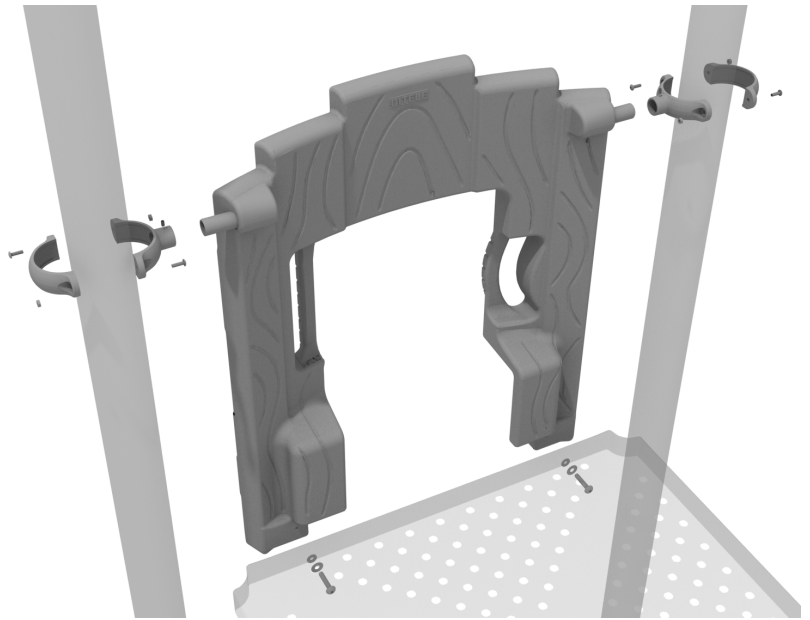
Attach the Bamboo Panel to the designated posts using two (2) tube clamps and two (2) M4*25 Set Screws. Then, attach the bottom of the panel to the deck using four (4) M10*20 Bolts, four (4) M10 Washers, and four (4) M10 Lock Nuts.



6-foot Straight Slide Installation

STEP: 1

To attach the tree house slide hood to a deck, take two tube clamps and attach them to the posts using two (2) M4*25 self-tapping screws. Then, attach the hood to the deck using two (2) M10*20 bolts, two (2) spring washer, four (4) M10 washers, and two (2) M10 lock nuts. Repeat this process for every single slide hood.



STEP: 2

See general installation guide regarding footing information for the slide end mount. Using two (2) M8*20, two (M8) spring washers. And two (2) M8 washers, attach the slide to the slide support post.



1 Playground Drive
Greenfield, IN 46140
1-800-667-0097

Created By: Aaron Price
Date: 03/19/2018

6-foot Left Turn Slide Installation

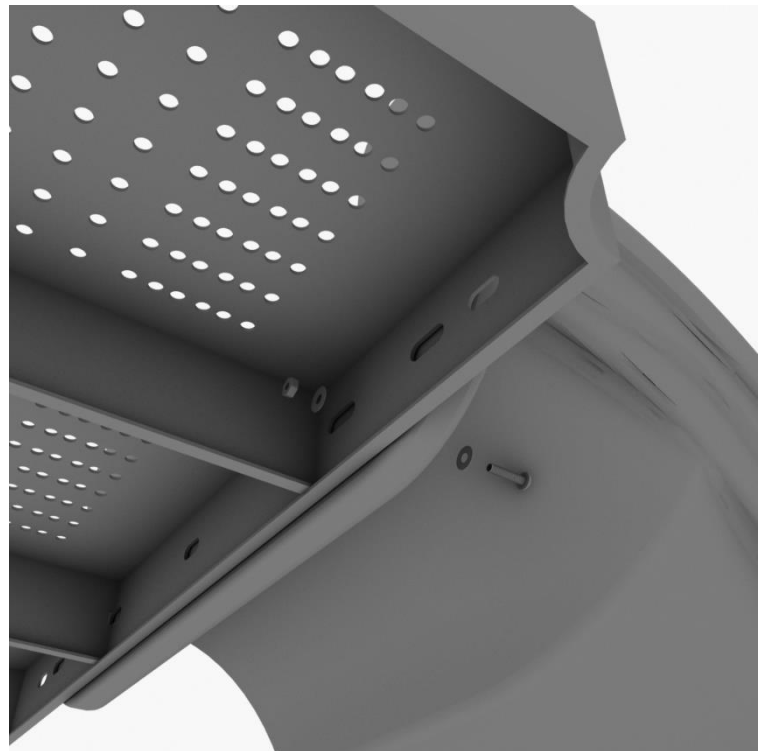
STEP: 3

See general installation guide regarding footing information for the middle slide support. Loosen the set screw pre-attached to the slide support bracket and insert the L-shaped slide support. Then screw the set screws back into place.



STEP: 4

Using one (1) M10*45 bolt, two (2) M10 washers, and two (2) M10 lock nuts, attach one side of the slide to the deck.



1 Playground Drive
Greenfield, IN 46140
1-800-667-0097

Created By: Aaron Price
Date: 03/19/2018

6-foot Left Turn Slide Installation

STEP: 5

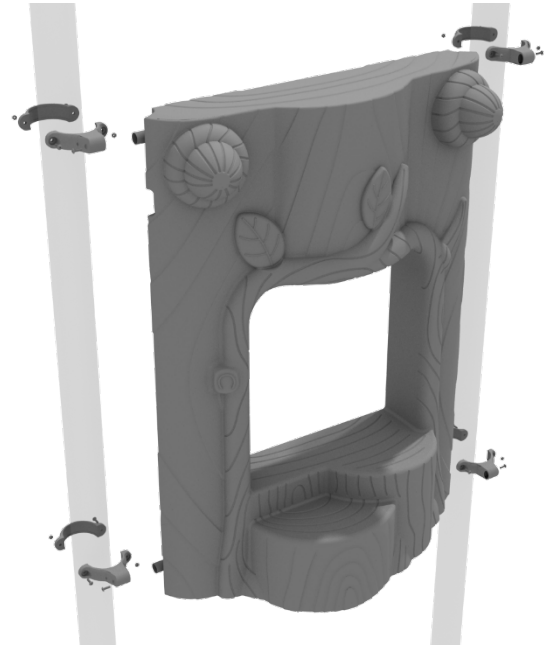
Using two (2) M8*45 bolts, two (2) M8 washer, two (2) M12 washers, and one (1) M12 inner hex spiral nut, attach the slide to the slide hood. Repeat this process for the other side of the slide.



Treehouse Stump Store Panel Installation

STEP: 1

Attach the Treehouse Stump Store Panel using four (4) M8*37 bolts to the four (4) offset clamps, clamping around the appropriate post.



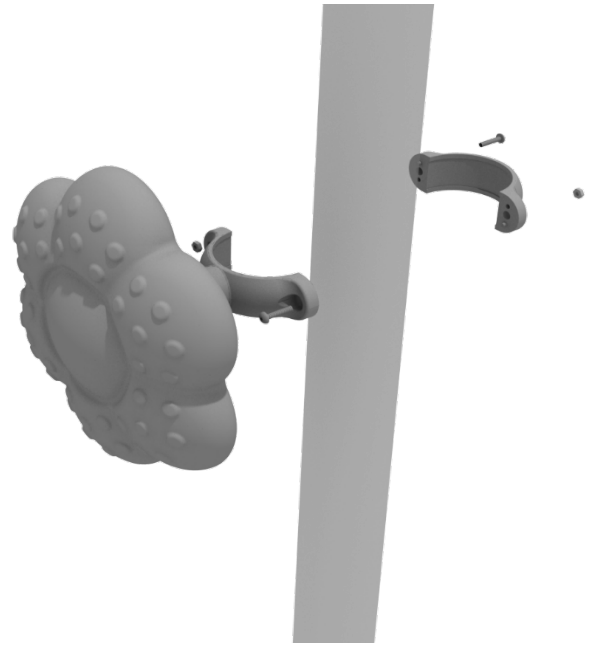
Rain Wheel Installation

Detach half of the tube clamp connected to the Rain Wheel, and re-attach the clamp around the support post, as shown in the picture.

Recommended install height is 20 to 36 inches above surfacing depending on age range.

We recommend using Thread-locking fluid on bolts connecting Rain wheel to clamp to prevent hardware from loosening over time.

(Thread-locker not supplied)



Ships Wheel Installation

Detach half of the tube clamp connected to the Ships Wheel, and re-attach the clamp around the support post, as shown in the picture. Recommended install height is 20 to 36 inches above surfacing depending on age range.

We recommend using Thread-locking fluid on bolts connecting Ship's wheel to clamp to prevent hardware from loosening over time.

(Thread-locker not supplied)

