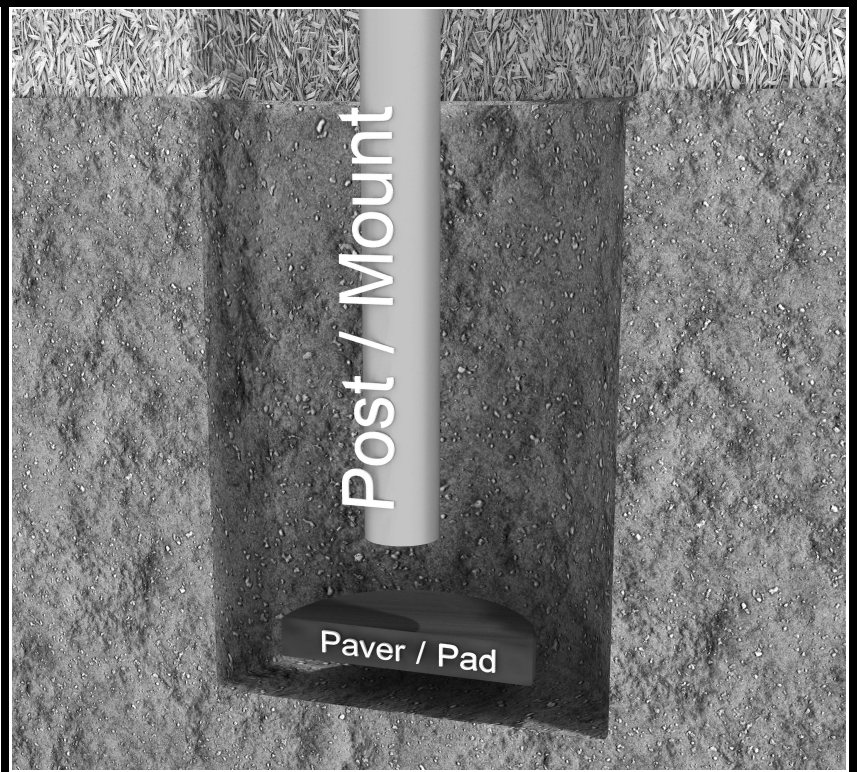


# Inground Post/Mount Installation

## STEP: 1

**DO NOT CEMENT POSTS/MOUNTS INTO PLACE UNTIL THE ENTIRE STRUCTURE IS ASSEMBLED.**

Refer to the General Installation guide footing size information and digging proper holes for the support posts/mounts.



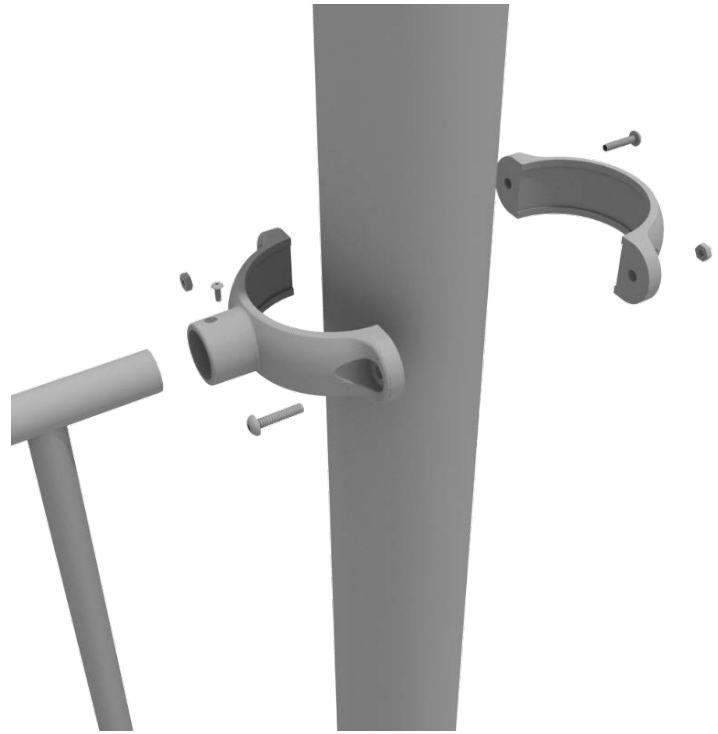
10859 E Washington St. Suite 200  
Indianapolis, IN 46229  
1-800-667-0097

Created By: Gage Brown  
Date: 04/26/2018

# 5.0-inch Clamp Installation Guide

## 5.0-inch Tube Clamp

Insert Bar on Component into one half of the Tube Clamp and attach with M4\*25 Set Screw. Then, using the other half of the tube clamp and the hardware provided in the clamp hardware bag, attach the other half of the tube clamp around the post.



# Square Deck Installation

## STEP: 1

After the posts are in place, using four (4) M10\*35 Bolts, eight (8) M10 Washers, and four (4) M10 Lock Nuts, attach each square deck to each pre-attached deck clamp as shown in the image.

Deck clamps are pre-attached to the posts and should not be altered in any way.



# Triangle Deck Installation

## STEP: 1

After the posts are in place, using three (3) M10\*35 bolts, six (6) M10 washers, and three (3) M10 lock nuts, attach the triangle deck to each pre-attached deck clamp as shown in the image.

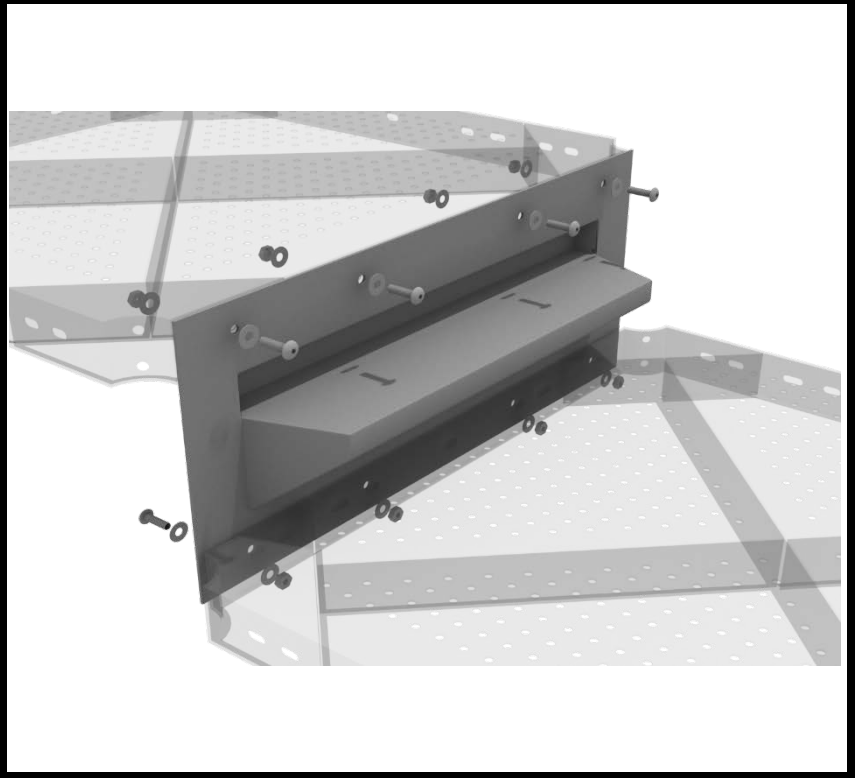
Deck clamps are pre-attached to the posts and should not be altered in any way.



# Kickplate Install

## STEP: 1

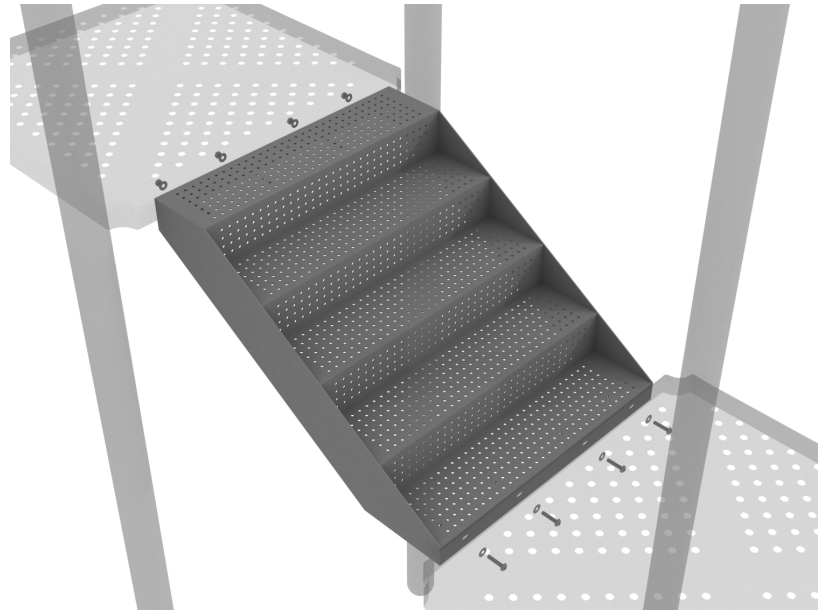
Using eight (8) M10\*25 bolts, sixteen (16) M10 washers, and eight (8) M10 lock nuts, attach the kickplate to the proper decks.



# 5.0-inch 2-Foot Middle Stair Install

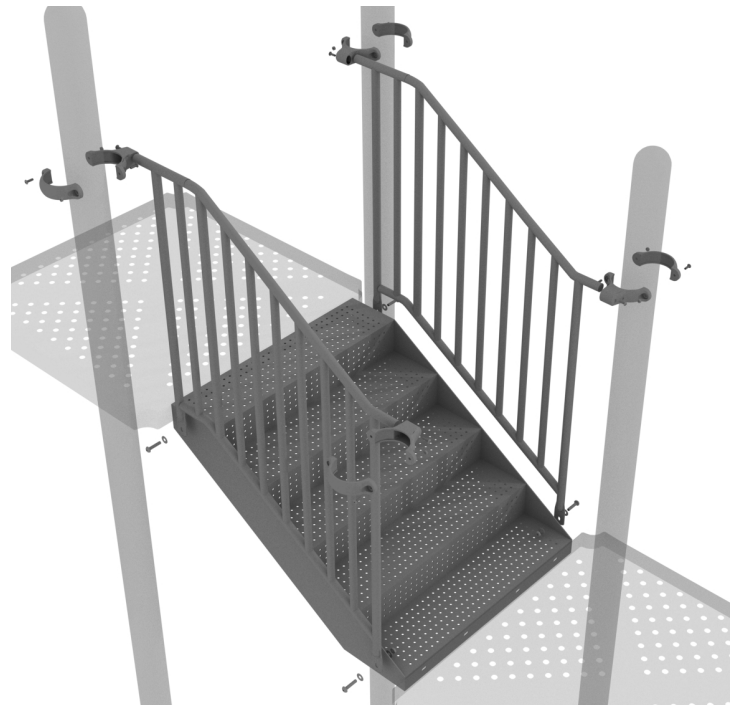
## STEP: 1

Using eight (8) M10\*25 Bolts, sixteen (16) M10 Washers, and eight (8) M10 Lock Nuts, connect the middle stair from one deck to the next.



## STEP: 2

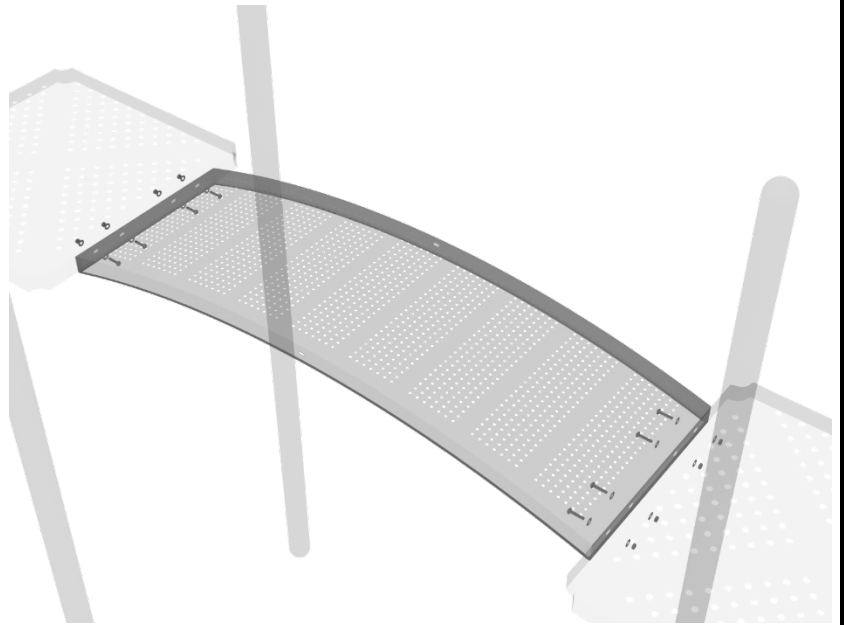
Connect half of each 5.0-inch tube clamp to the middle handrail using one (1) M8\*35 Bolt. Set the handrail into place, then attach the second half of the clamp using the hardware provided in the clamp bag. Repeat this process for the other handrail. Then, using two (2) M10\*25 Bolts, four (4) M10 Washers, and two (2) M10 Lock Nuts, attach the bottom of the handrail to the side of the stair.



# Bamboo Arch Bridge Installation

## STEP: 1

Attach the Arch Bridge to the proper decks using four (4) M10\*25 Bolts, eight (8) M10 Washers, and four (4) M10 Lock Nuts for each deck.



## STEP: 2

Then, once the bridge is in place, attach the Bamboo Handrails to the posts using four (4) 5.0-inch tube clamps for each side.



# Inclined Bones Bridge Install

## STEP: 1

Using four (4) M10\*30 bolts, eight (8) M10 washers, and four (4) M10 lock nuts, attach each bottom bones bridge to the proper decks.



## STEP: 2

Once the bridge is attached, connect half of each 4.5-inch tube clamp to the bridge handrail using one (1) M4\*25 self-tapping screw. Then, using two (2) M10\*25 bolts, four (4) M10 washers, and two (2) M10 lock nuts, attach the bottom of the bridge handrails to the deck. Repeat these steps for the remaining bones bridges and bridge handrails.



10859 Washington St. Suite  
200, Indianapolis, IN  
1-800-667-0097

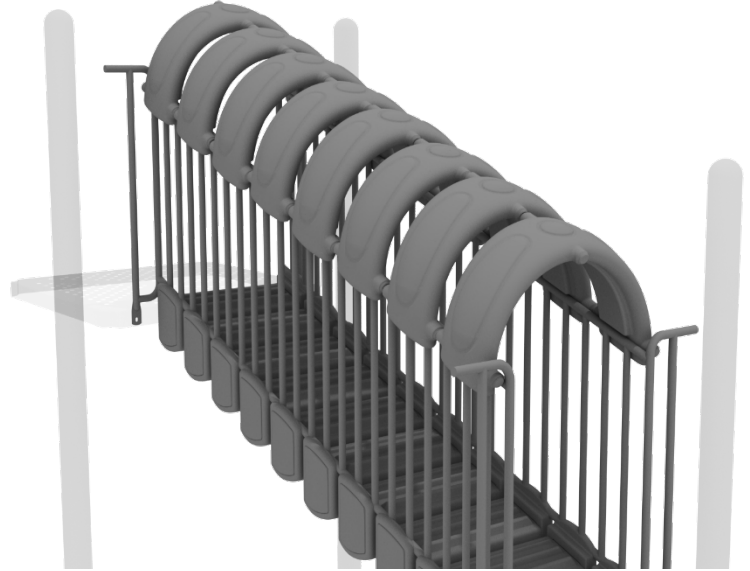
Created By: Derick H  
Date Modified: 08/09/18



# Inclined Covered Bones Bridge Install

## STEP: 3

Place the Incline Bones Bridge Roof onto the railings.



## STEP: 4

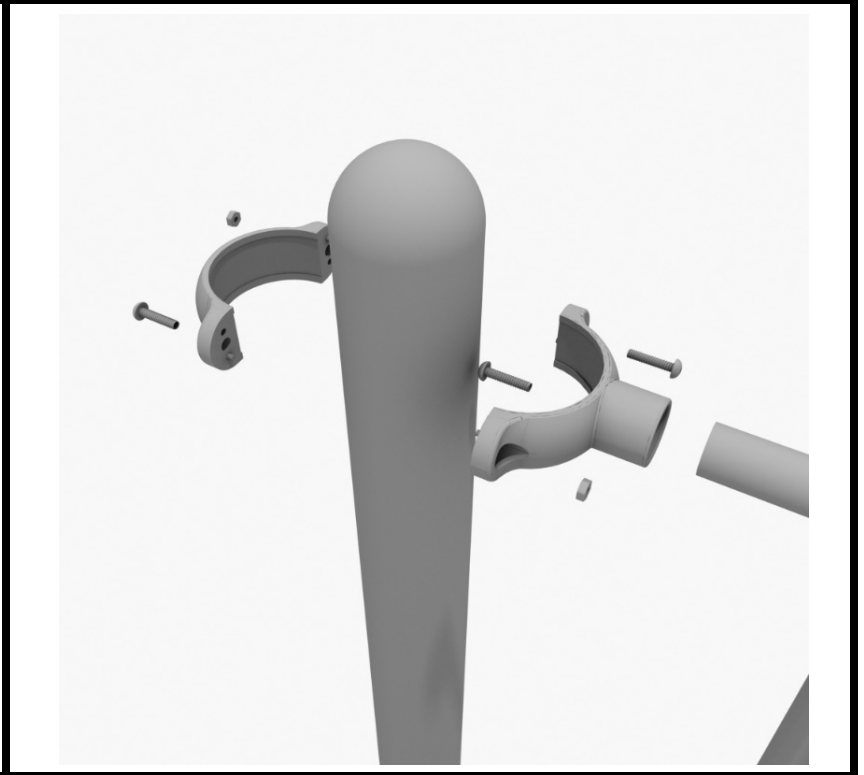
Using four (4) M4\*25 set screws, attach the Incline Bones Bridge Roof to the railings.



# 4.5-inch 4-foot Transfer Station Install

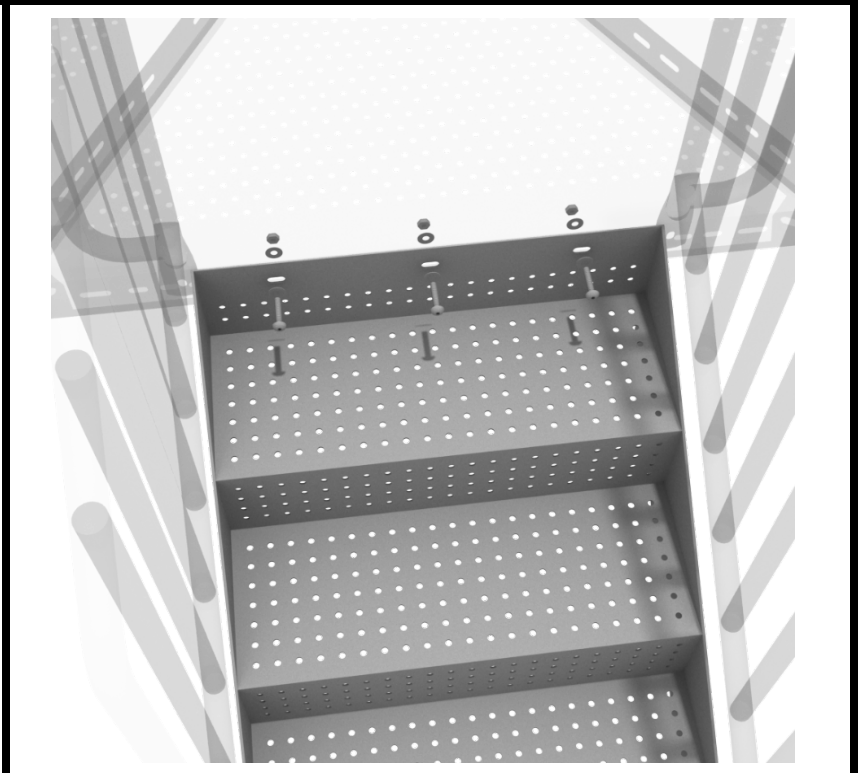
## STEP: 1

Connect half of a tube clamp to the ADA transfer handrail using one (1) M4\*25 self-tapping screw. Set the handrail into place, then attach the second half of the clamp using the hardware provided in the clamp bag. Repeat this process for the other handrail.



## STEP: 2

Using three (3) M10\*25 bolts, six (6) M10 washers, and three (3) M10 lock nuts, attach the top of the stairs to the half hex deck. Then using four (4) M10\*30 bolts, eight (8) M10 washers, and four (4) M10 lock nuts, attach the handrail to the bottom of the stairs. Then, using two (2) M10\*25 bolts, four (4) M10 washers, and two (2) M10 lock nuts, attach the handrails to the deck.



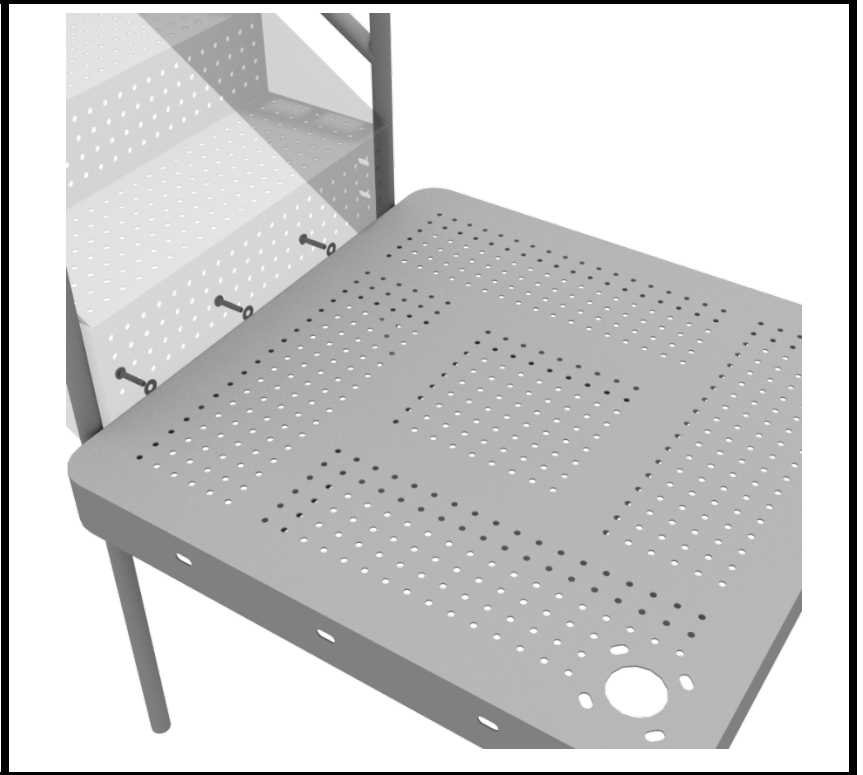
10859 Washington St. Suite  
200, Indianapolis, IN  
1-800-667-0097

Created By: Derick H  
Date Modified: 07/27/18

## 4.5-inch 4-foot Transfer Station Install

### STEP: 3

Using three (3) M10\*25 bolts, six (6) M10 washers, and three (3) M10 lock nuts, attach the ADA transfer deck to the base of the 4-foot ADA transfer stair.



### STEP: 4

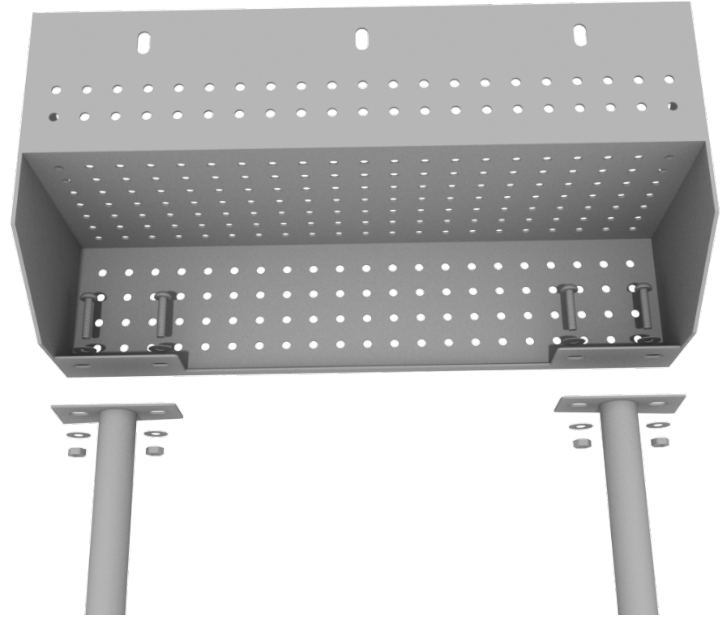
See general installation guide regarding footing information for the transfer deck handrail. Using four (4) M10\*25 bolts, eight (8) M10 washers, and four (4) M10 lock nuts, attach each transfer deck handrail to the ADA transfer deck.



## 4.5-inch 4-foot Transfer Station Install

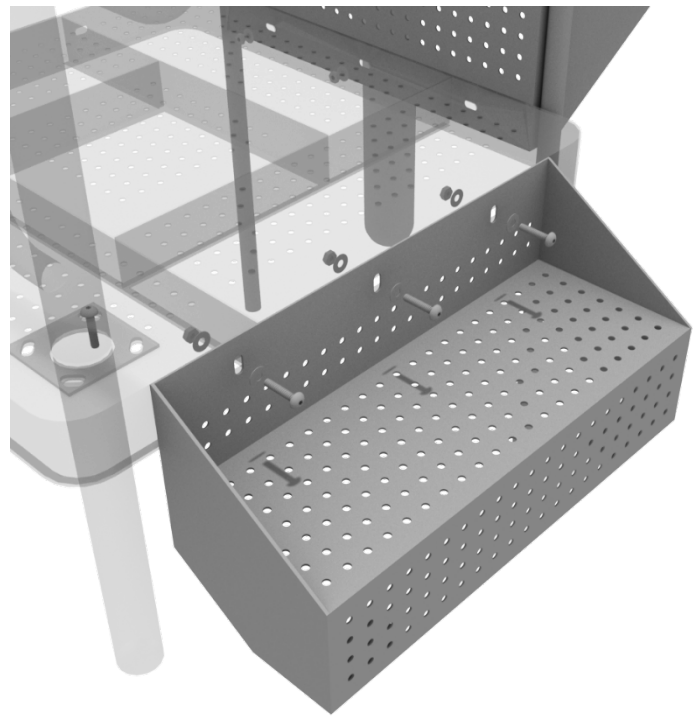
### STEP: 5

See general installation guide regarding footing information for the ADA transfer step mount. Using two (2) M10\*25 bolts, four (4) M10 washers, and two (2) M10 lock nuts, attach the transfer step to each ADA transfer step mounts.



### STEP: 6

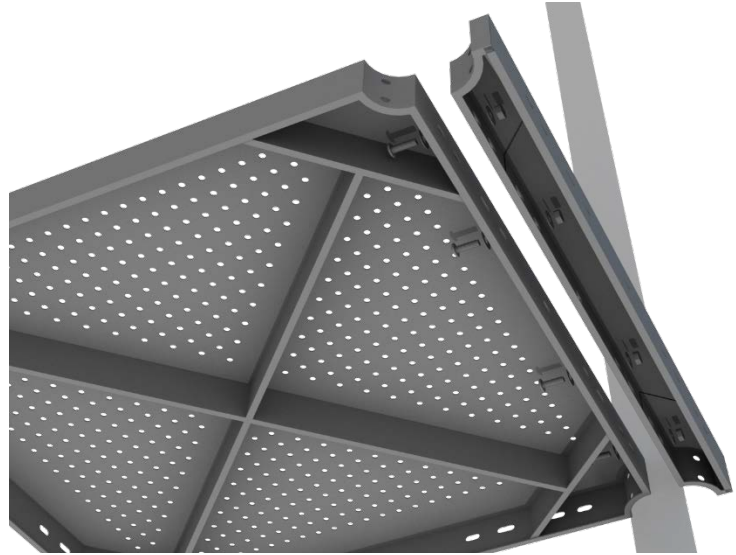
Using three (3) M10\*25 bolts, six (6) M10 washers, and three (3) M10 washers, attach the top of the ADA transfer step to the ADA transfer deck.



# 4-foot Double Wave Slide Installation

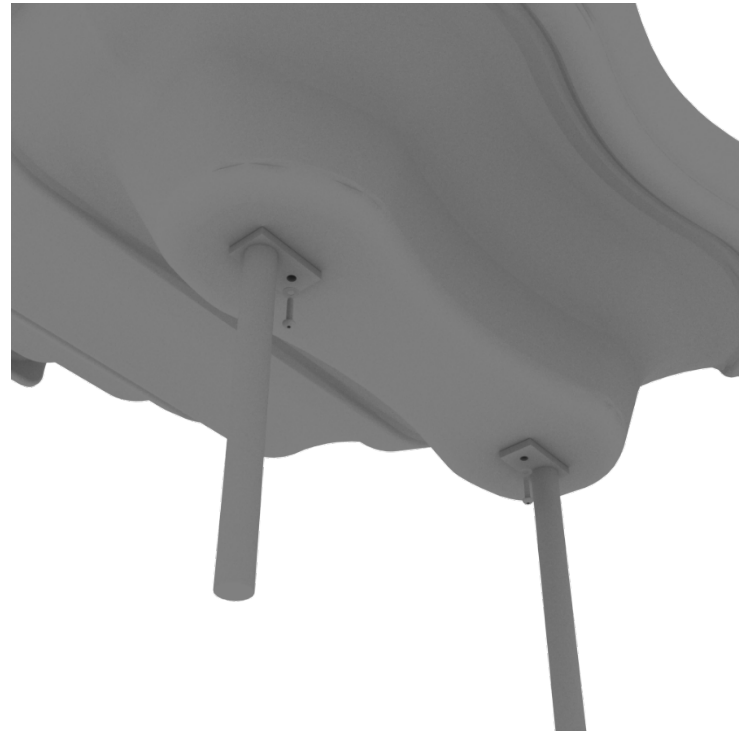
## STEP: 1

Attach the deck climber extension to the proper deck using four (4) M10\*25 bolts, eight (8) M10 washers, and four (4) M10 lock nuts.



## STEP: 2

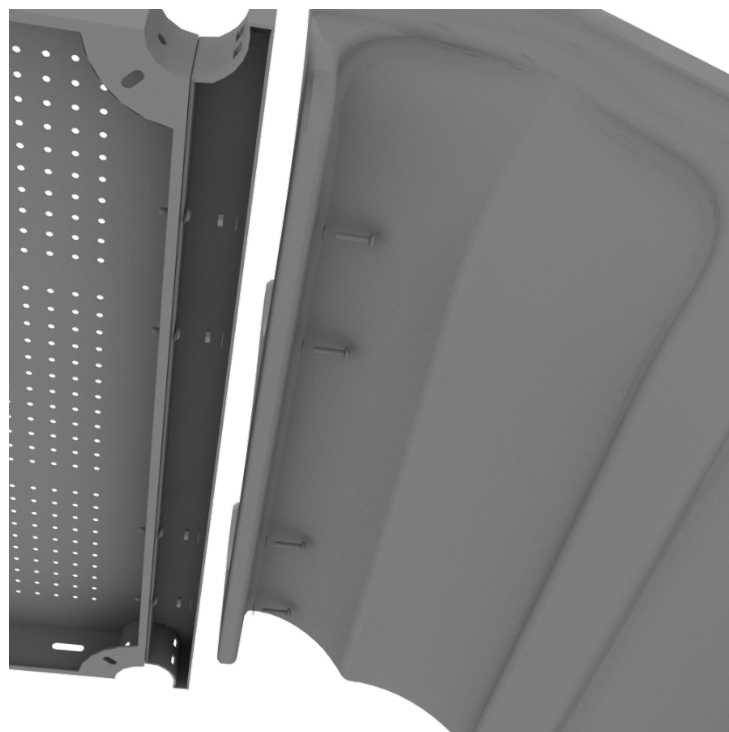
Then, See general installation guide regarding footing information for the double slide end mounts. Using two (2) M8\*20 bolts, two (2) M8 spring gaskets, and two (2) M8 washers, attach the slide end mounts to the double slide.



# 4-foot Double Wave Slide Installation

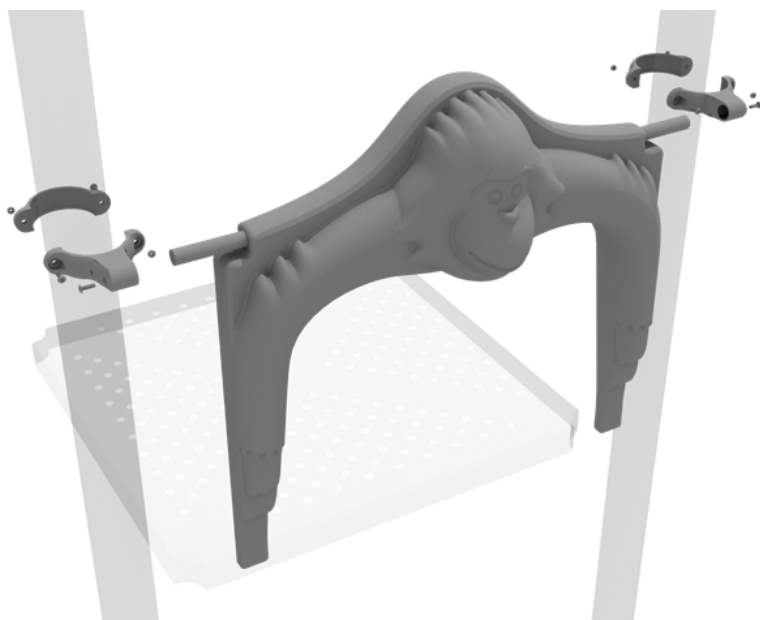
## STEP: 3

Then, attach the slide to the deck extension using four (4) M10\*45 bolts, eight (8) M10 washers, and four (4) M10 lock nuts.



## STEP: 4

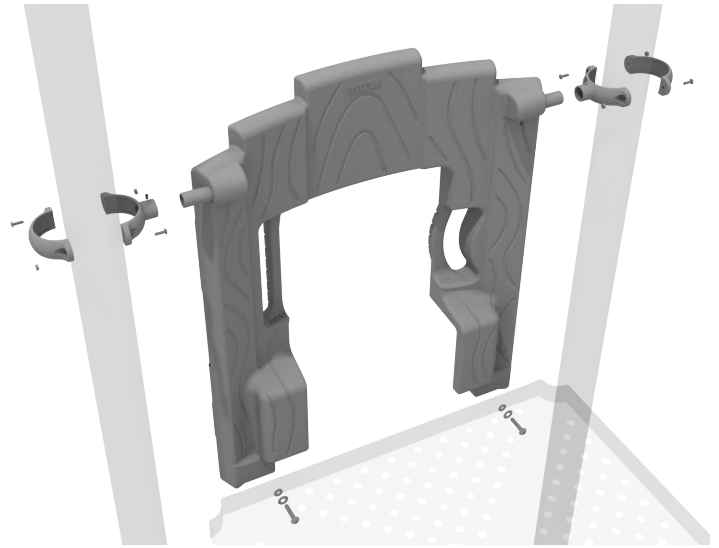
Once the slide is attached, take the tree house double slide hood and insert hood into the top of the slide, and then attach the top using two (2) double slide clamps, and two (2) M8\*30 bolts.



## 5-Foot Single Straight Sectional Slide

### Step 1

To attach the single slide hood to a deck, take two clamps and attach them to the posts using two (2) M4\*25 self-tapping screws. Then, attach the hood to the deck using two (2) M10\*50 bolts, four (4) M10 washers, and two (2) M10 lock nuts. Repeat this process for every single slide hood.



### Step 2

Using the hardware pre-attached to the slide, connect the two sections of the slide together.



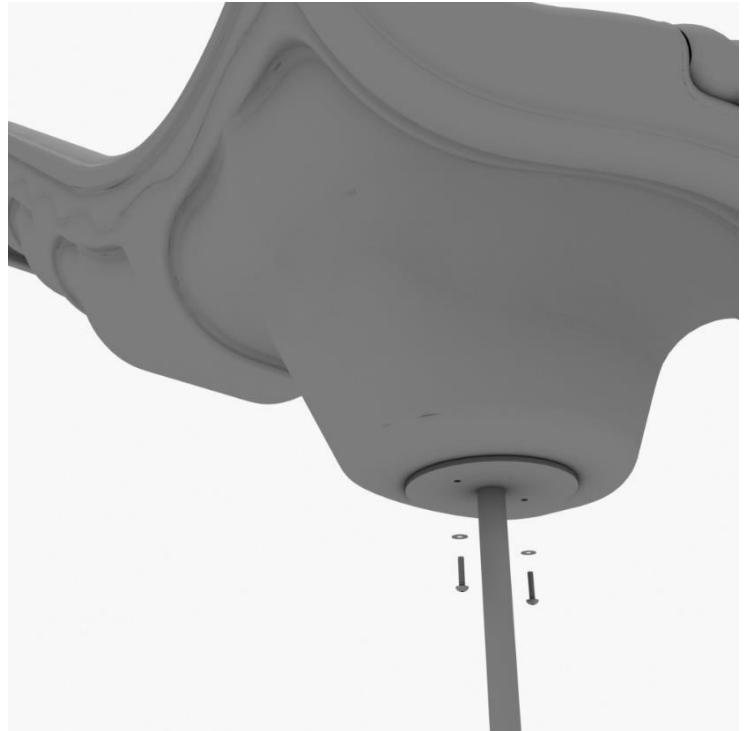
### Step 3

See general installation guide footing information regarding installation of the middle supports, and slide end mount. Insert the middle support into the designated slot under the slide, and tighten the set screws using the provided allen wrench. Repeat this process for the other slide support post.



### Step 4

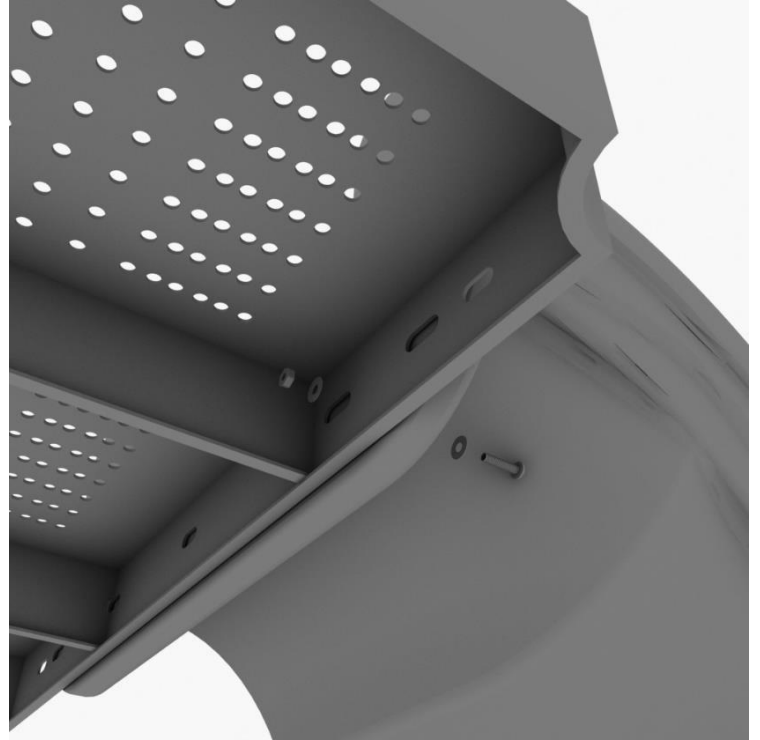
Using two (2) M8\*20, two (M8) spring gaskets, and two (2) M8 washers, attach the slide to the slide end mount.





## Step 5

Using one (1) M10\*45 bolt, two (2) M10 washers, and two (2) M10 lock nuts, attach one side of the slide to the deck. Repeat the process for the other side of the slide.



## Step 6

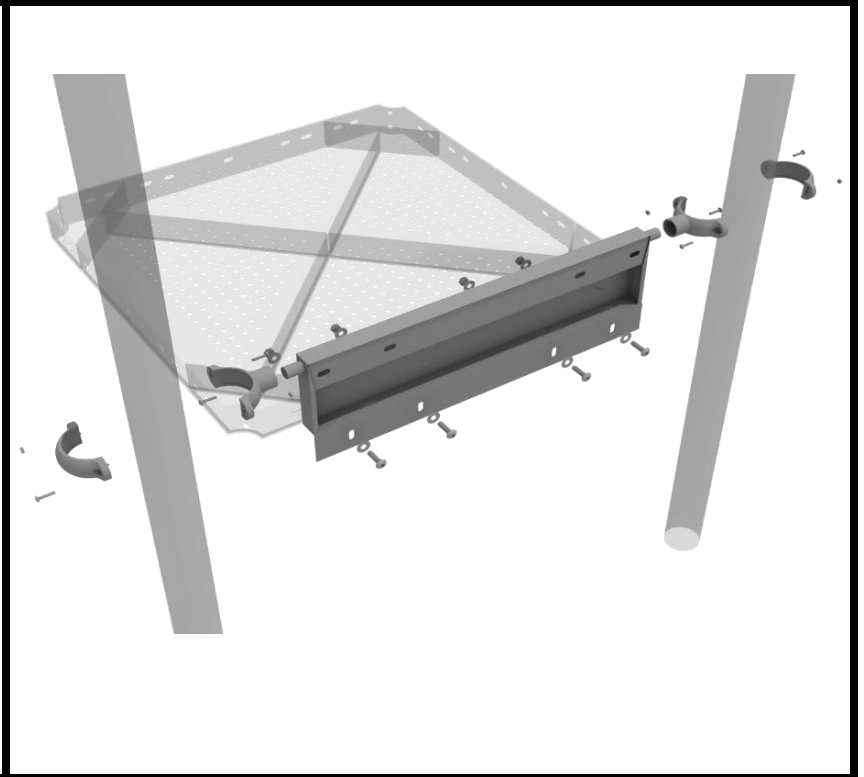
Using two (2) M8\*45 bolts, two (2) M8 washer, two (2) M12 washers, and one (1) M12 inner hex spiral nut, attach the slide to the slide hood. Repeat this process for the other side of the slide.



# Spiral Slide Installation

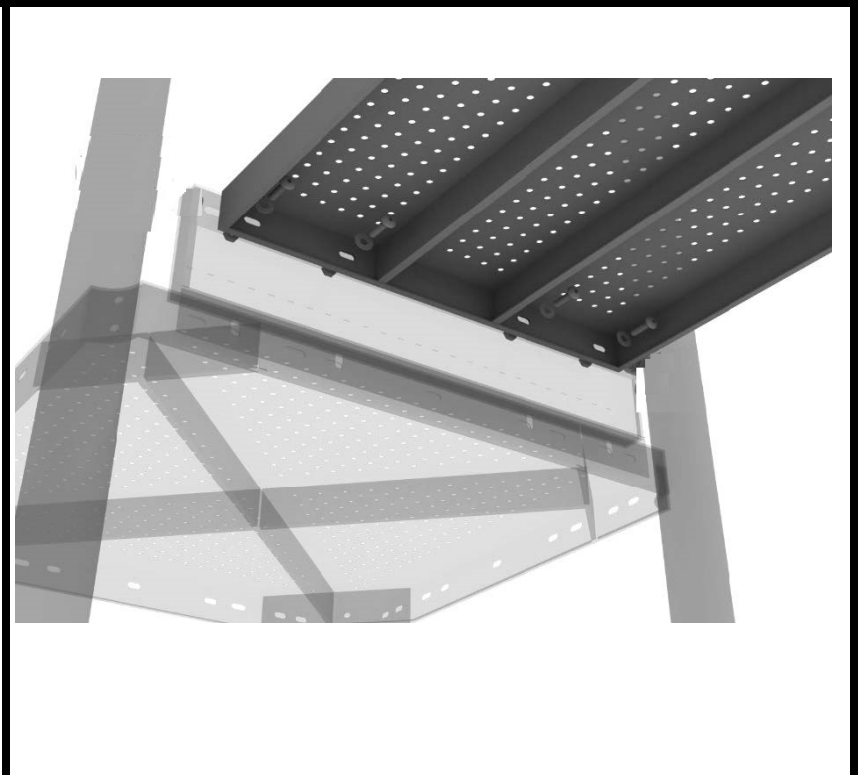
## STEP: 1

Attach the spiral slide kick plate to the proper square deck using four (4) M10\*25 bolts, eight (8) M10 washers, four (4) M10 lock nuts.



## STEP: 2

Attach the spiral slide deck to the top of the spiral slide kick plate using four (4) M10\*25 bolts, eight (8) M10 washers, and four (4) M10 lock nuts.



10859 Washington St. Suite  
200, Indianapolis, IN  
1-800-667-0097

Created By: Derick H  
Date: 01/05/2020

# Spiral Slide Installation

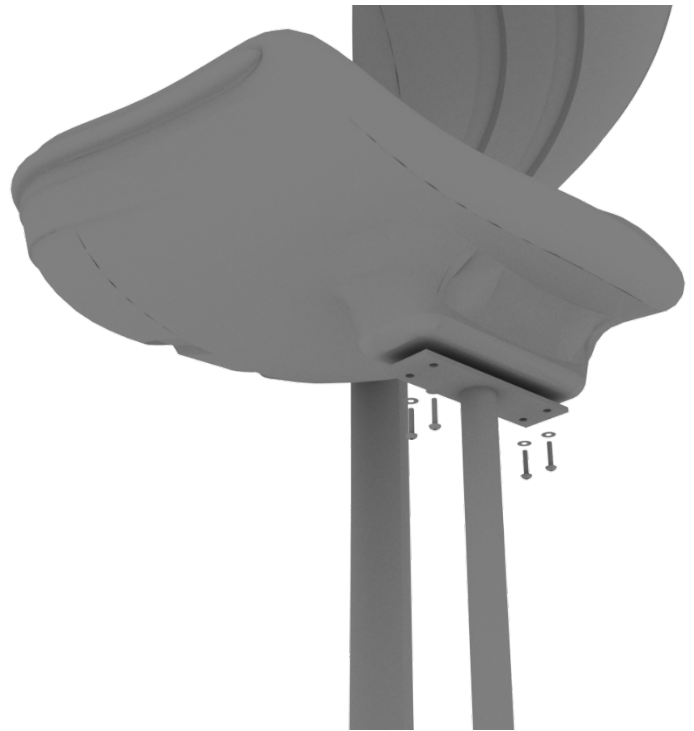
## STEP: 3

Attach the Spiral Slide Deck Support Post to the Spiral Slide Deck using two (2) M10\*25 Bolts, four (4) M10 Washers, and two (2) M10 Lock Nuts.



## STEP: 4

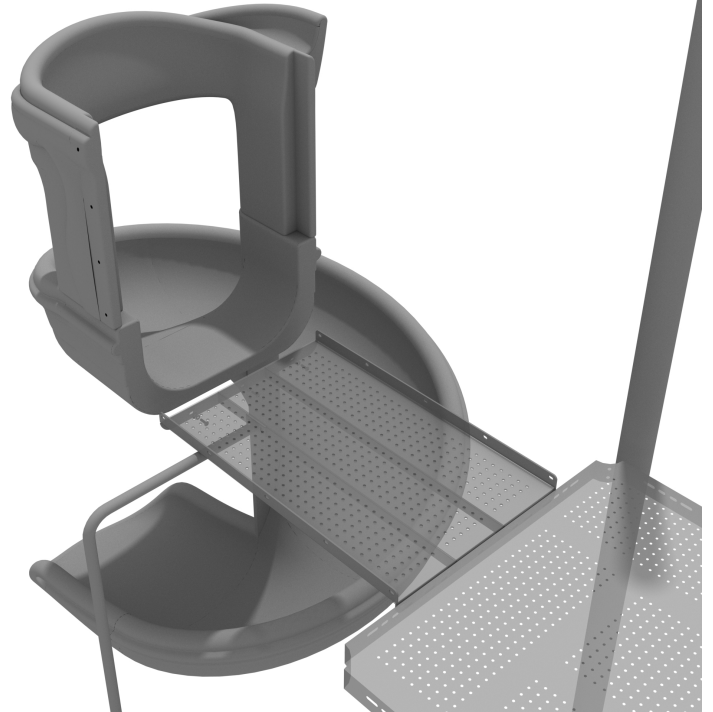
Connect the Spiral Slide Mount to the bottom of the Spiral Slide using four (4) M10\*20 Bolts, four (4) M10 Spring Gaskets, and four (4) M10 Washers. Refer to the General Installation Guide for information on slide footings.



# Spiral Slide Installation

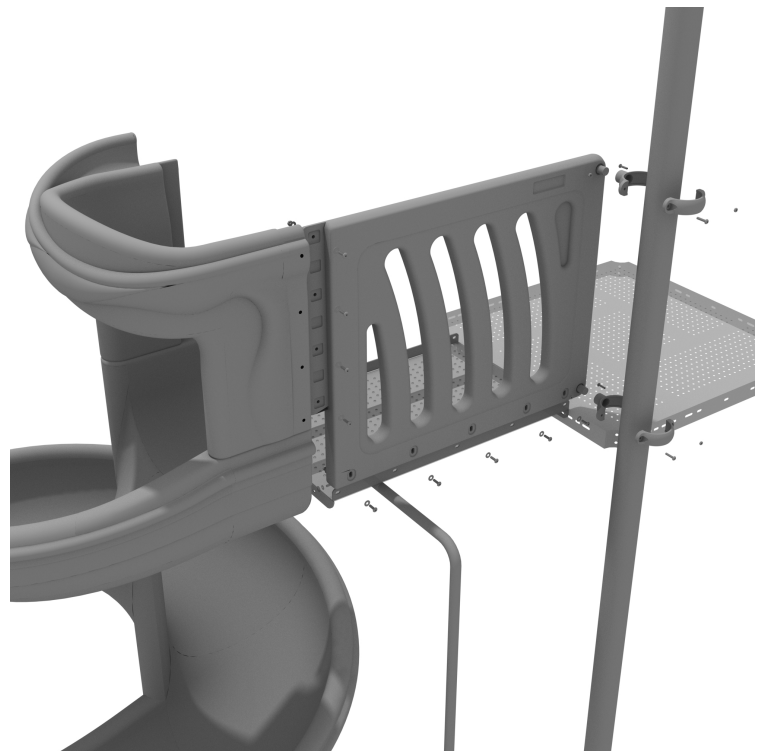
## STEP: 5

See general installation guide regarding footing information for slides and support posts. Connect the Spiral Slide to the Spiral Slide Deck using three (3) M10\*20 Bolts, three (3) M10 Spring Gaskets, and three (3) M10 Washers.



## STEP: 6

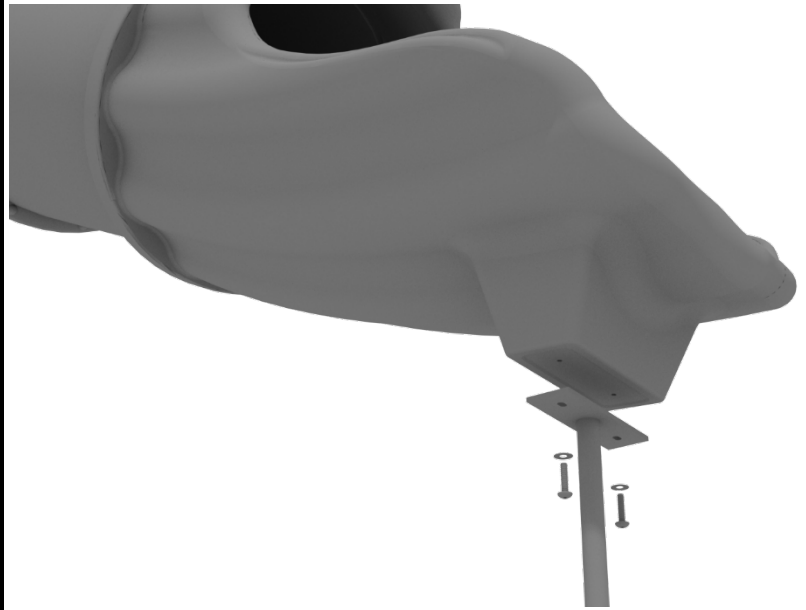
Attach the Spiral Slide Handrail to the Spiral Slide Deck using five (5) M8\*60 Bolts, five (5) M8 Washers, five (5) M12 Washers, and five (5) M12 Inner Hex Nuts. Connect spiral slide panels to slide using four (4) M10\*50 bolts, four (4) M10 washers, four (4) M10 lock nuts for each panel. Connect the handrails to the posts using two (2) tube clamps. Repeat this process for the other handrail.



# Treehouse Tube Slide Installation

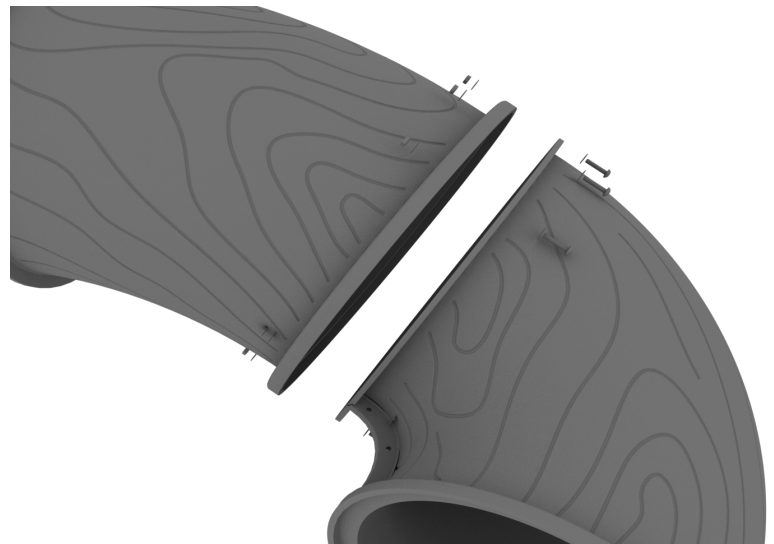
## STEP: 1

Attach the slide end mount to the bottom of the slide using four (4) M10\*20 bolts, four (4) M10 spring washers, and four (4) M10 washers.



## STEP: 2

Connect the tube slide together using ten (10) M8\*30 bolts, ten (10) M8 washers, and ten (10) M8 lock nuts for each connection point.



# Treehouse Tube Slide Installation

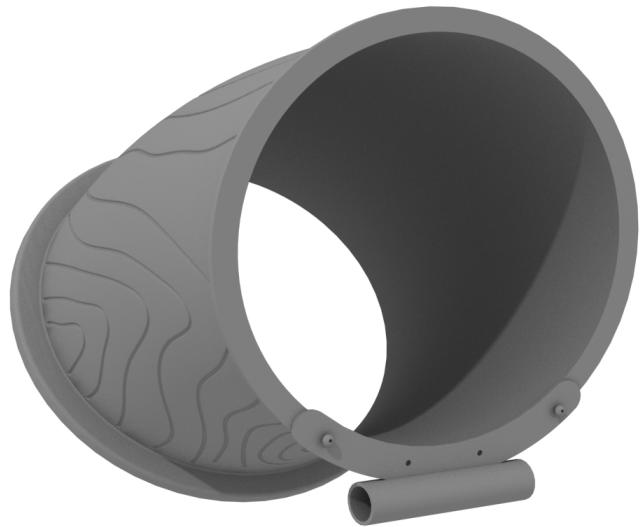
## STEP: 3

Attach the tube slide supports to the slide support brackets by inserting the support into the designated slot under the slide, and tighten the set screws using the provided Allen wrench. Repeat this process for the other slide support post.



## STEP: 4

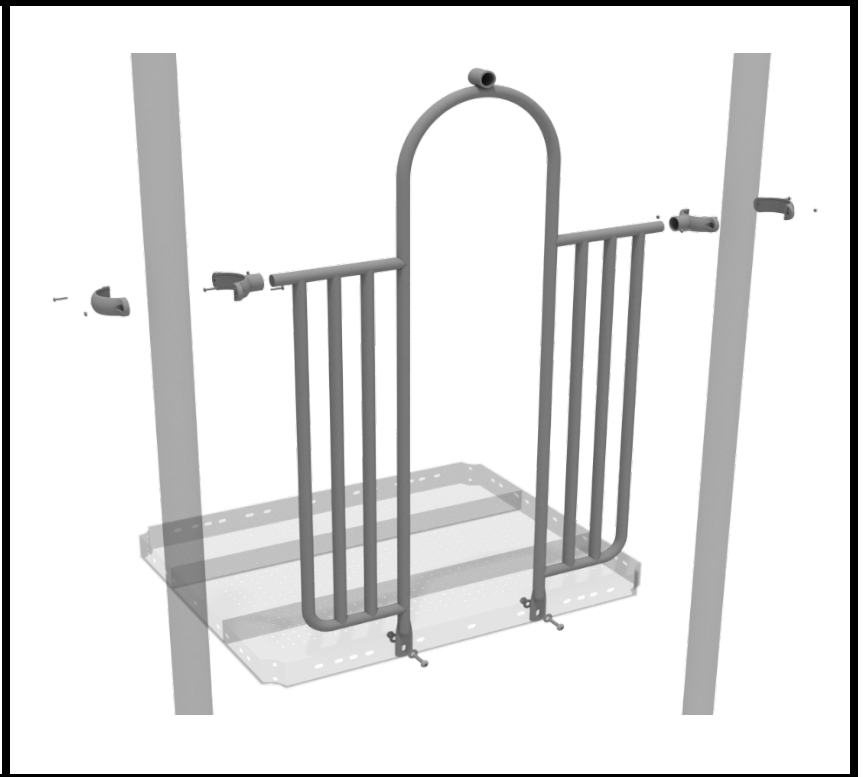
**Attention: Any hardware on pre-attached tube slide or tube bridge supports (not including set screws) are to be disposed. Use supplied bolts and appropriate lock nuts in hardware box to avoid any safety hazards or safety violations.**



## 5.0-inch 2-Clamp Arch Rail Installation

### STEP: 1

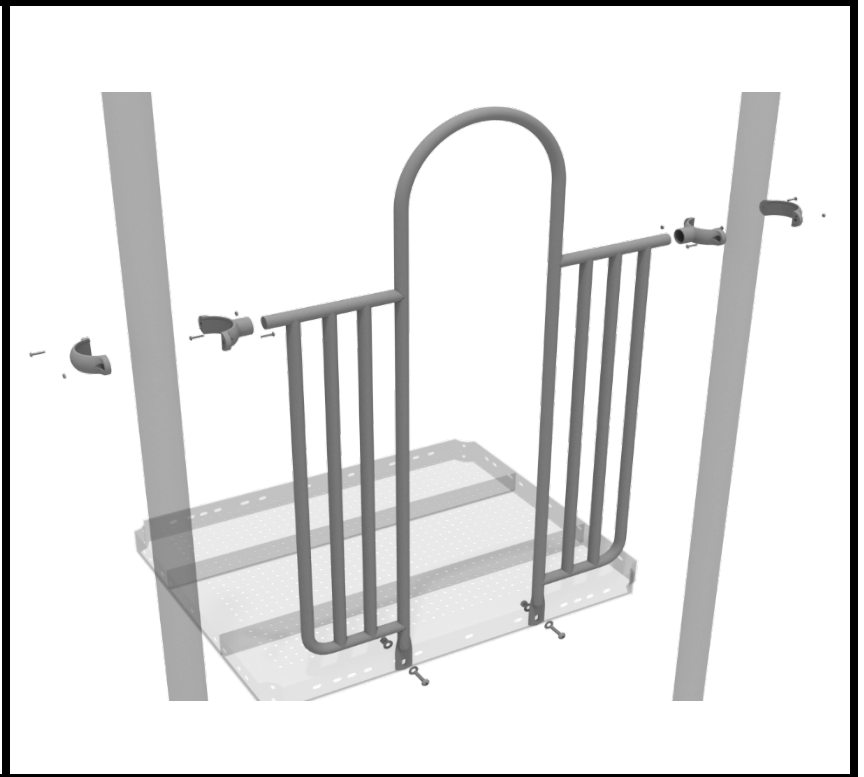
Attach the Arch Rail to the designated posts by connect half of the tube clamp to the arch rail using one (1) M8\*30 bolt. Repeat this process for each post attachment point. Then, attach the rail to the deck using two (2) M10\*25 bolts, four (4) M10 washers, and two (2) M10 lock nuts. Finally, attach the second half of the clamp around the post.



# 5.0-inch 2-Clamp Arch Rail Installation

## STEP: 1

Attach each two-clamp arch rail to the designated deck by using two 5.0-inch Tube Clamps. Then use two (2) M10\*25 Bolts, four (4) M10 Washers, and two (2) M10 Lock Nuts to attach the panel to the deck.





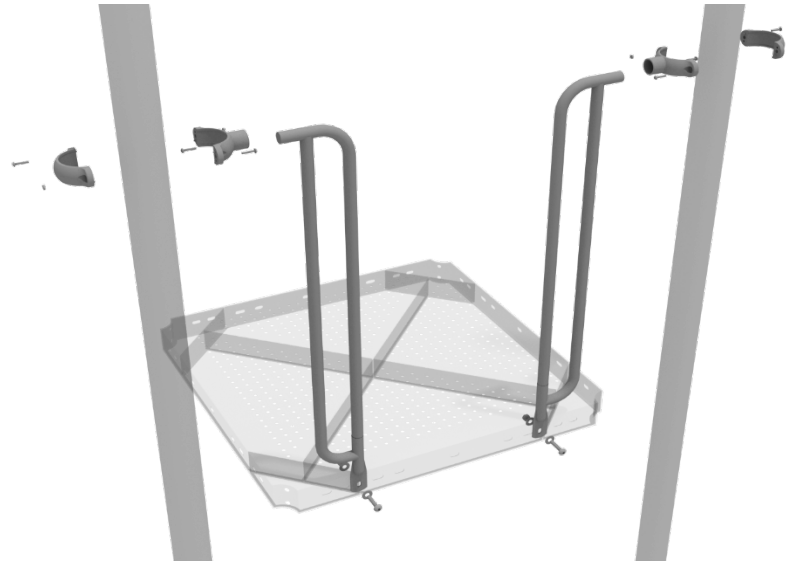
10859 Washington St. Suite  
200, Indianapolis, IN  
1-800-667-0097

Created By: Derick H  
Date: 09/15/2018

# 7-Rail Installation

## STEP: 1

Attach each 7-Rail to the designated posts using one (1) tube clamp and one (1) M8\*30 Bolt. Then, attach the bottom of the 7-Rail to the deck using one (1) M10\*25 Bolt, two (2) M10 Washers, and one (1) M10 Lock Nut.

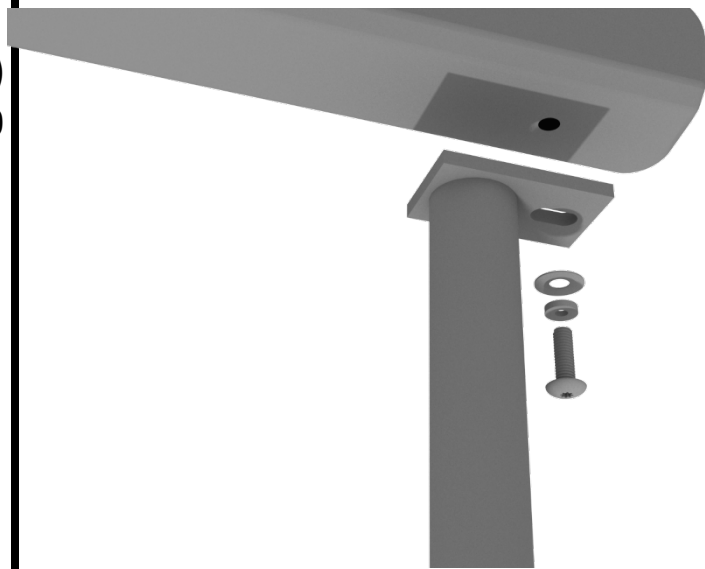


# Bamboo Arch Climber Installation

See general installation guide regarding footing information for the Bamboo Arch climber. Attach the climber to the deck using five (5) M10\*25 bolts, five (5) M10 spring washers and five (5) M10 washers.



Using two (2) M10\*20 bolts, two (2) M10 spring gaskets, and two (2) M10 washers, attach the bottom of the bamboo climber to the climber end mounts.

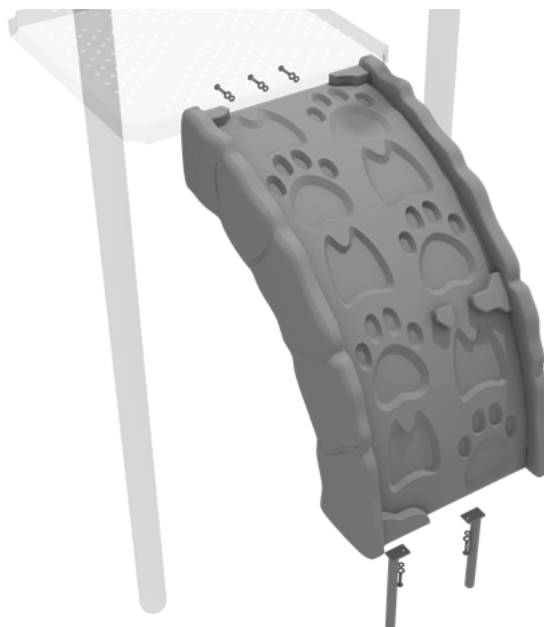


# Paw Print Climber Installation

See general installation guide regarding footing information for climbers.

Using two (2) M10\*20 Bolts, two (2) M10 Spring Gaskets, and two (2) M10 Washers, attach the bottom of the Paw Print climber to the climber support posts.

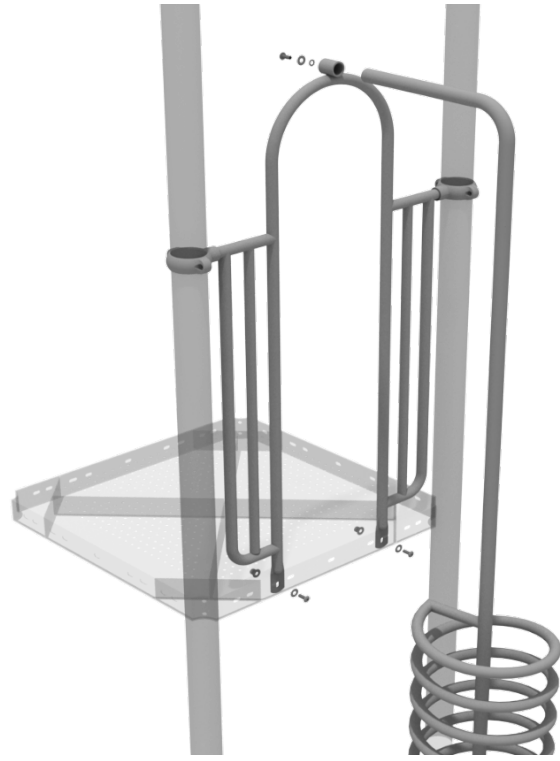
Then, using three (3) M10\*35 Bolts, three (3) M10 Spring Washers, and three (3) M10 Washers, attach the Paw Print climber to the deck.



# Spiral Climber Installation

## STEP: 1

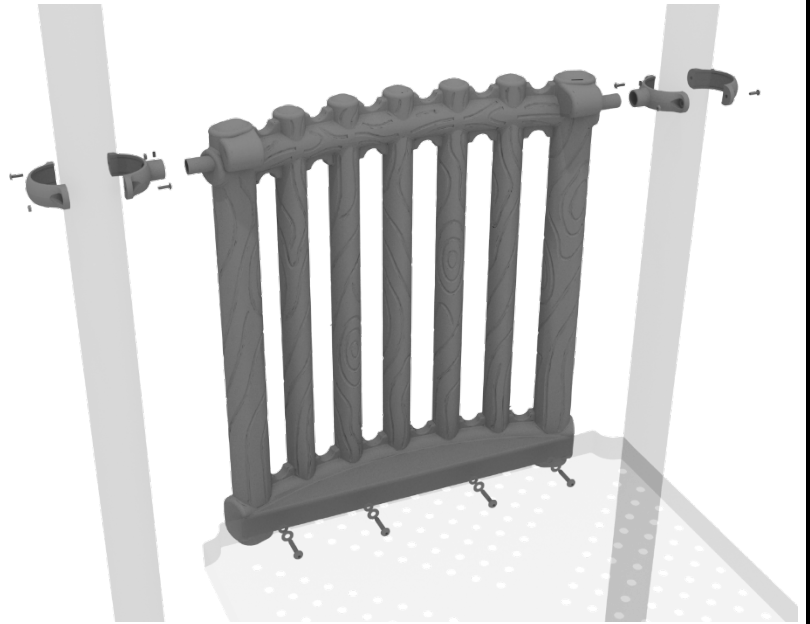
See general installation guide regarding footing information for the spiral climber. Attach the top of the climber to the designated arch rail top bracket using one (1) M10\*20 bolt, one (1) M10 spring washer, and one (1) M10 washer.



# 5.0-inch Bamboo Panel Installation

## STEP: 1

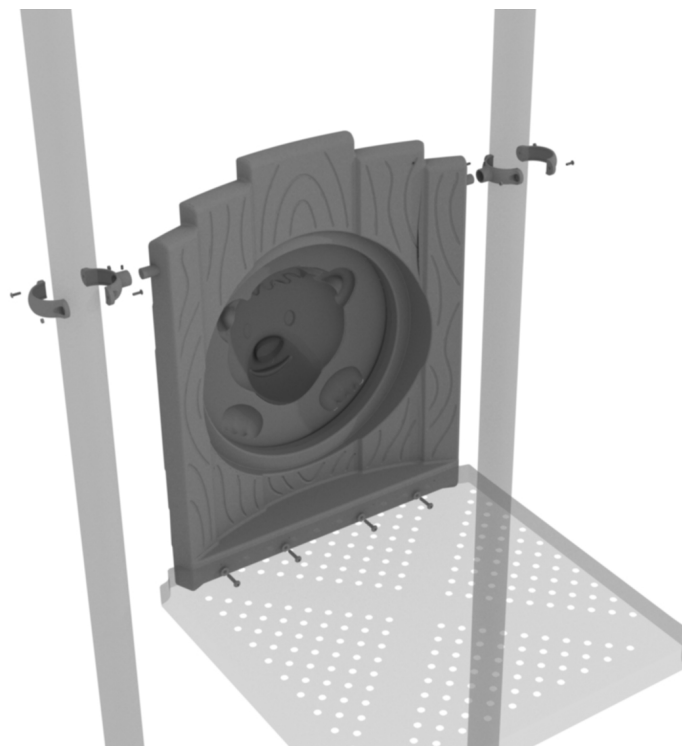
Attach the Bamboo Panel to the designated posts using two (2) tube clamps and two (2) M4\*25 Set Screws. Then, attach the bottom of the panel to the deck using four (4) M10\*20 Bolts, four (4) M10 Washers, and four (4) M10 Lock Nuts.



# 5.0-Inch Treehouse Bear Face Panel Installation

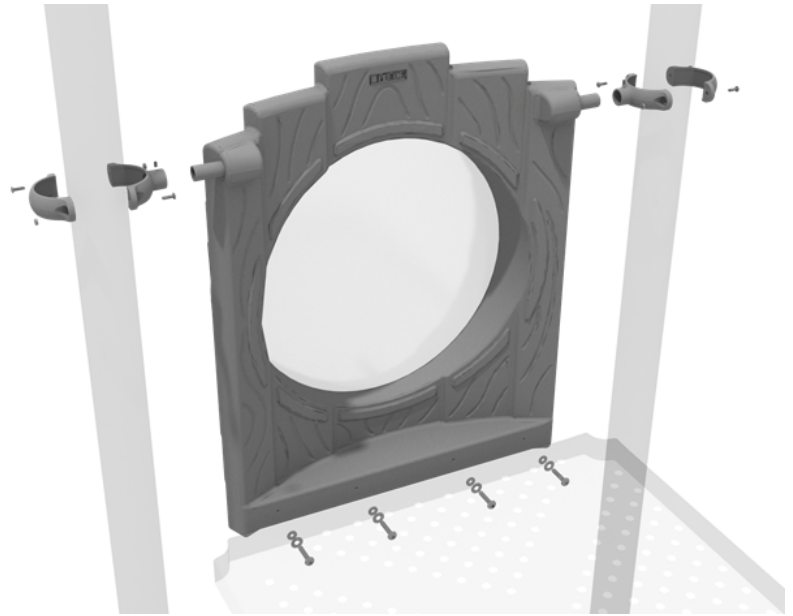
## STEP: 1

Attach the Treehouse Gear Panel to the designated posts using two (2) tube clamps and two (2) M4\*25 Set Screws. Then, attach the bottom of the panel to the deck using four (4) M10\*20 Bolts, four (4) M10 Washers, and four (4) M10 Lock Nuts.



# 5.0-inch Treehouse Bubble Panel Installation

Attach the Tree house Bubble Panel to the designated posts using two (2) tube clamps and two (2) M4\*25 Set Screws. Then, attach the bottom of the panel to the deck using four (4) M10\*20 Bolts, four (4) M10 Washers, and four (4) M10 Lock Nuts.

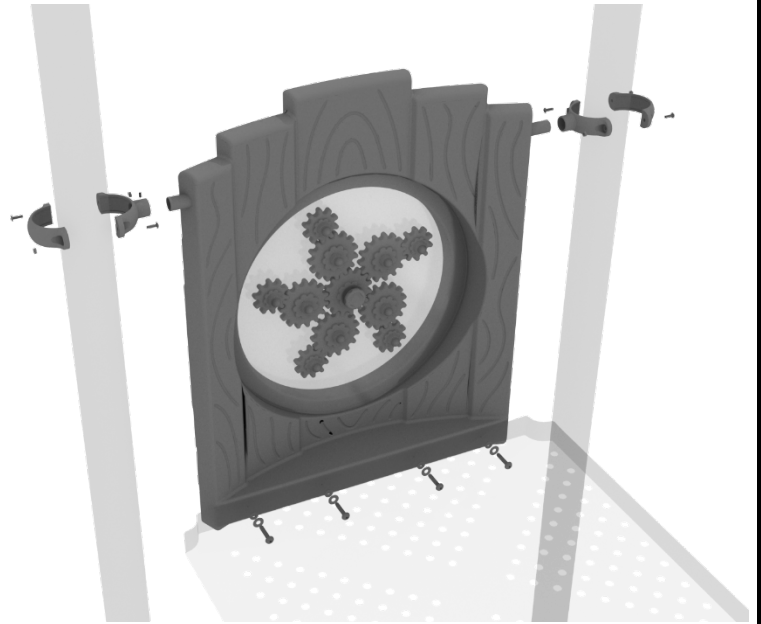




# 5.0-inch Treehouse Gear Panel Installation

## STEP: 1

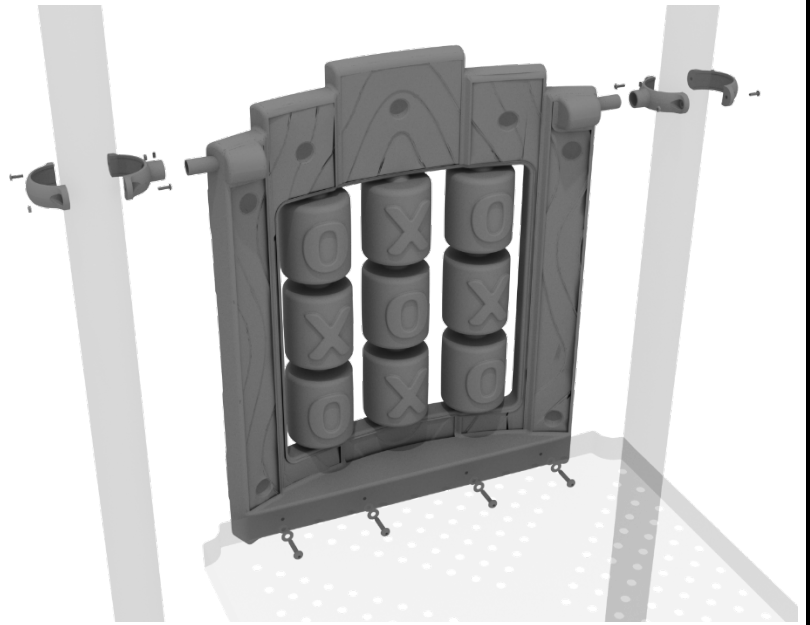
Attach the Treehouse Gear Panel to the designated posts using two (2) tube clamps and two (2) M4\*25 Set Screws. Then, attach the bottom of the panel to the deck using four (4) M10\*20 Bolts, four (4) M10 Washers, and four (4) M10 Lock Nuts.



# 5.0-inch Treehouse Tic Tac Toe Panel Installation

## STEP: 1

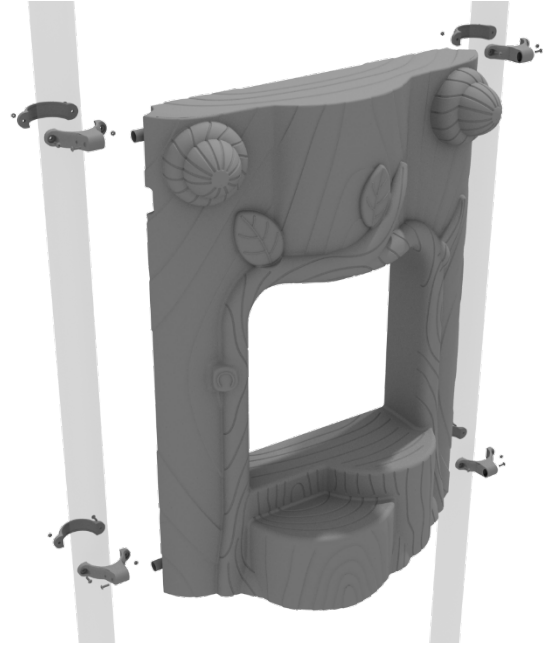
Attach the Treehouse Tic Tac Toe Panel to the designated posts using two (2) tube clamps and two (2) M4\*25 Set Screws. Then, attach the bottom of the panel to the deck using four (4) M10\*20 Bolts, four (4) M10 Washers, and four (4) M10 Lock Nuts.



# Treehouse Stump Store Panel Installation

## STEP: 1

Attach the Treehouse Stump Store Panel using four (4) M4\*25 Set Screws for the four (4) tube clamps, clamping around the appropriate post.

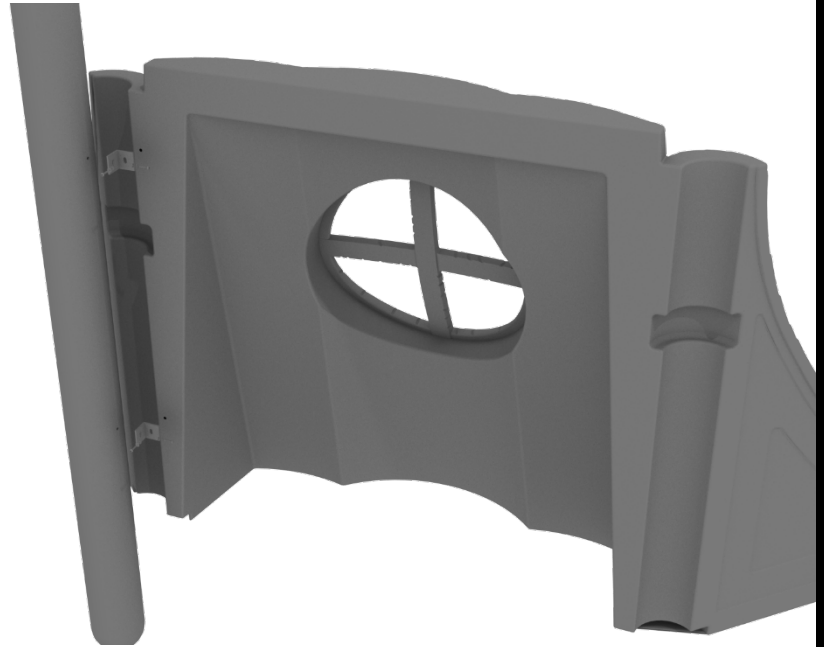


# Treehouse Stump Window Panel Installation

## STEP: 1

Align the Treehouse Stump Window Panel with the intended posts. The posts have a threaded insert that must be lined up correctly with the Treehouse Stump Window Panel.

Using the provided mounting brackets, attach the panel to the posts with eight (8) M8\*30 Bolts, eight (8) M8 Washers, and eight (8) M8 Spring Gaskets.



## STEP: 2

The Treehouse Stump Window Panel can attach to a 2<sup>nd</sup> Treehouse Stump Window Panel using one (1) M8\*45 Bolt, and one (1) M10\*45 Inner Hex Nut.

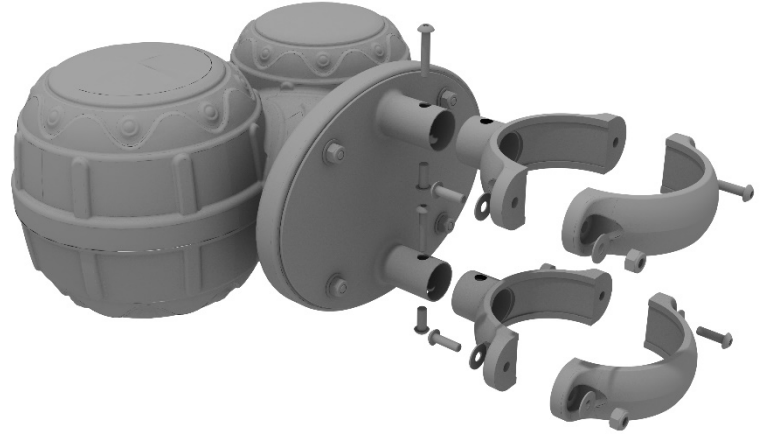
This step does not apply in cases where there is only 1 Treehouse Stump Window Panel.



# Bongos Installation

## STEP: 1

Detach half of the tube clamps connected to the Bongos, and re-attach the clamp around the desired support post. Recommended install height is 20 to 36 inches above surfacing depending on age range.

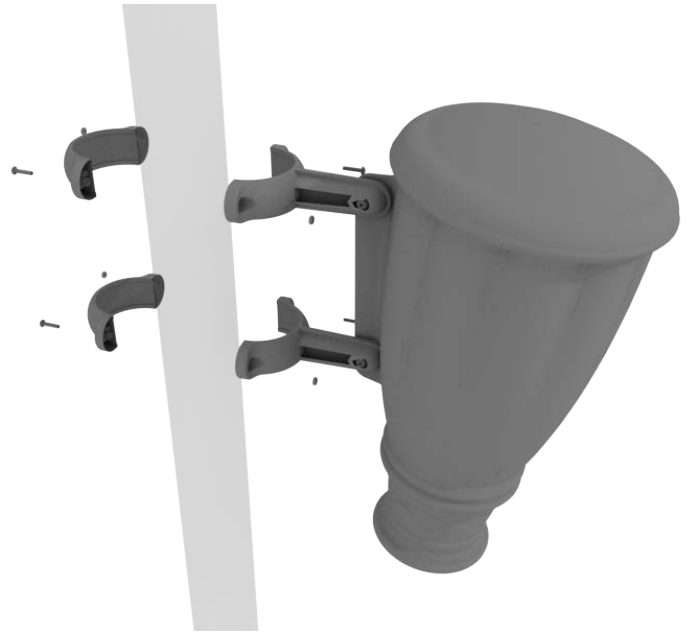


# Single Drum Installation

Detach half of the tube clamps connected to the Single Drum, and re-attach the clamps around the support post, as shown in the image. Recommended install height is 20 to 36 inches above surfacing depending on age range.

*We recommend using Thread-locking fluid on bolts connecting Single Drum to clamp to prevent hardware from loosening over time.*

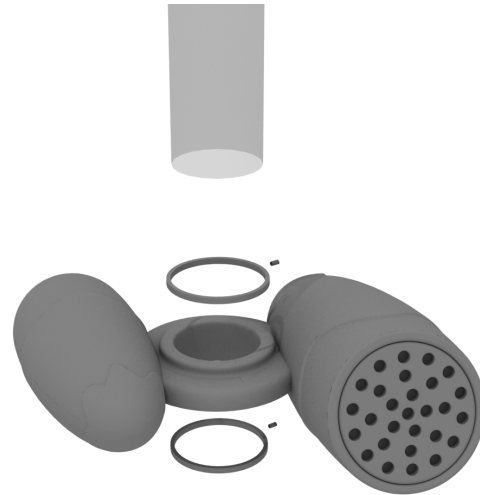
(Thread-locker not supplied)



# Double Drum Install

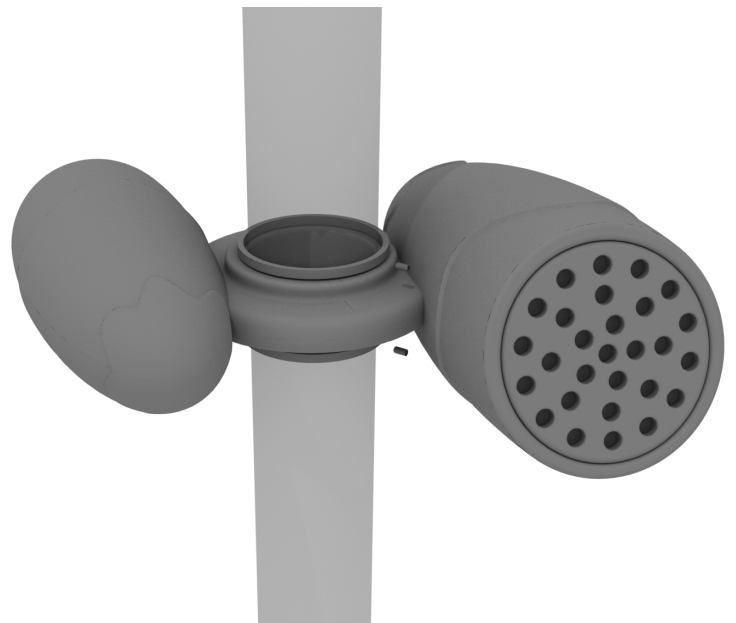
## STEP: 1

Using drum rings located in hardware box, slip onto designated post as shown.



## STEP: 2

Using two (2) M5\*75 self tapping screws, drill screw into ring and post.



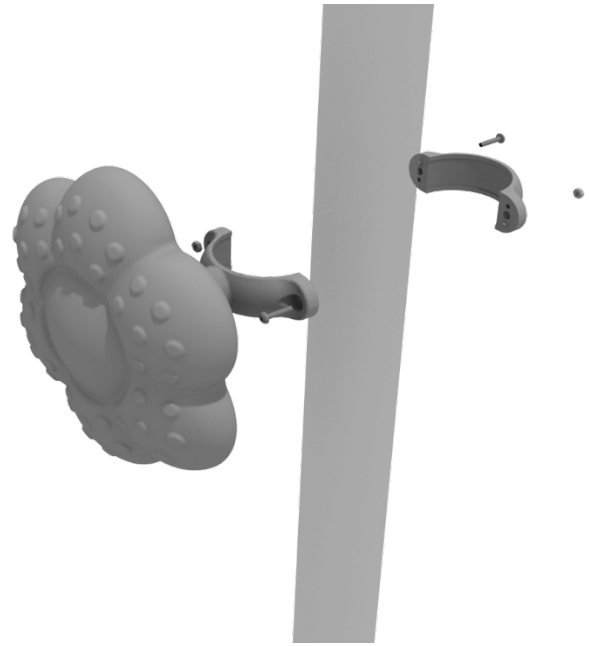
# Rain Wheel Installation

Detach half of the tube clamp connected to the Rain Wheel, and re-attach the clamp around the support post, as shown in the picture.

Recommended install height is 20 to 36 inches above surfacing depending on age range.

*We recommend using Thread-locking fluid on bolts connecting Rain wheel to clamp to prevent hardware from loosening over time.*

(Thread-locker not supplied)



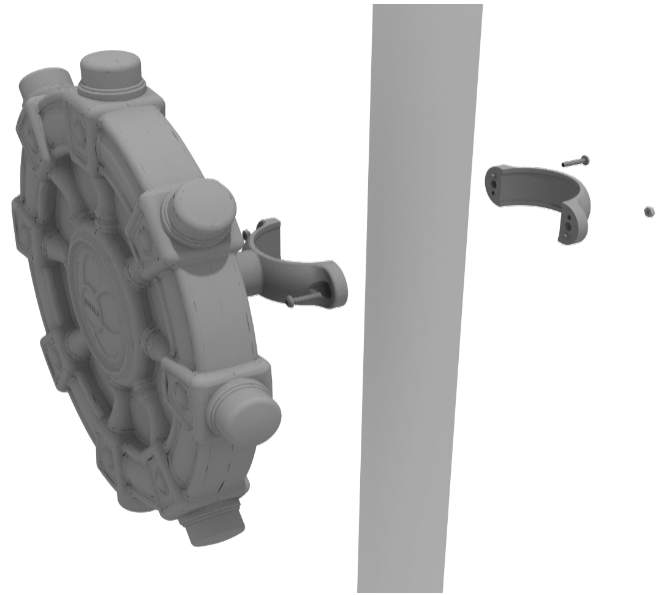


# Ships Wheel Installation

Detach half of the tube clamp connected to the Ships Wheel, and re-attach the clamp around the support post, as shown in the picture. Recommended install height is 20 to 36 inches above surfacing depending on age range.

*We recommend using Thread-locking fluid on bolts connecting Ship's wheel to clamp to prevent hardware from loosening over time.*

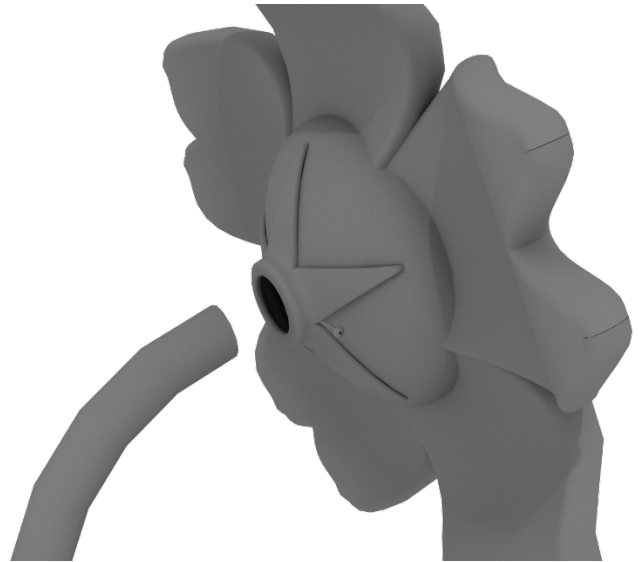
(Thread-locker not supplied)



# Palm Flower Face Topper Installation

## STEP: 1

Place the Flower Face Topper onto the provided post. Use three (3) M8\*35 set screws and three (3) M\*8 Washers to attach the Flower Face Topper to the post.



# Monkey Topper Installation

## STEP: 1

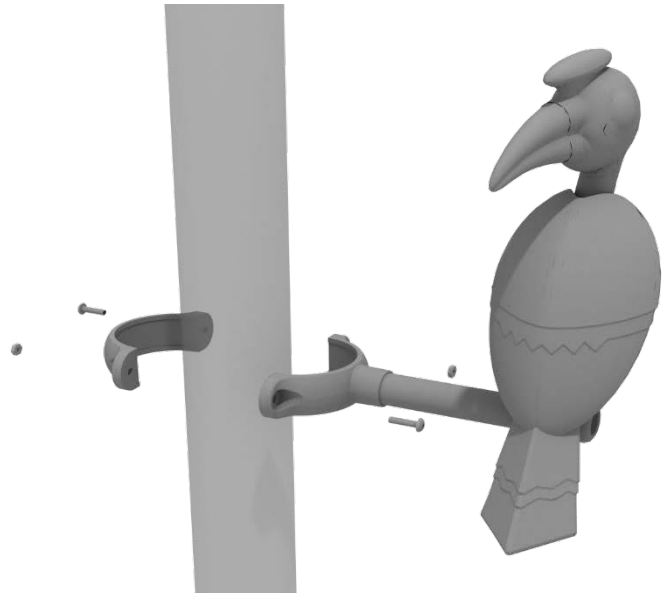
The hardware and clamps come pre-attached to the Monkey Topper. To install undo the bolts holding the two halves of the Tube Clamps together, then place around the desired post and re-assemble the Tube Clamp.



# Parrot Topper Installation

## STEP: 1

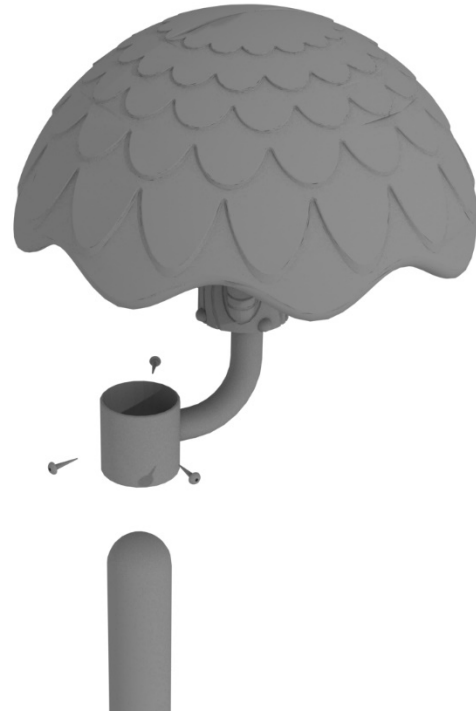
Detach half of the tube clamp connected to the Parrot Topper, and re-attach the clamp around the support post, as shown.



# Tree Topper Installation

## STEP: 1

Place the Tree Topper onto the desired post. Use three (3) M8\*45 Set Screws to attach the Pine Tree Topper to the post.



# Treehouse Club House Roof Installation

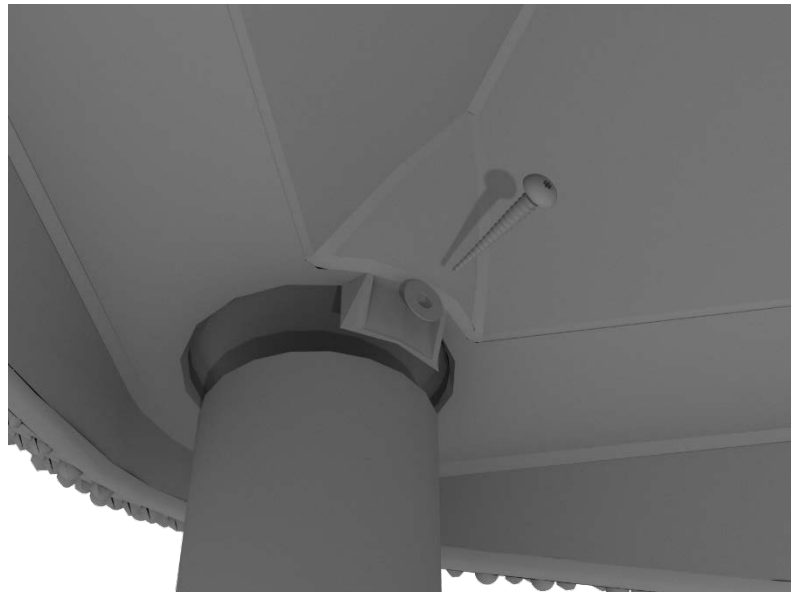
## STEP: 1

Place the Club House roof on to the top of the posts of the appropriate deck.



## STEP: 1

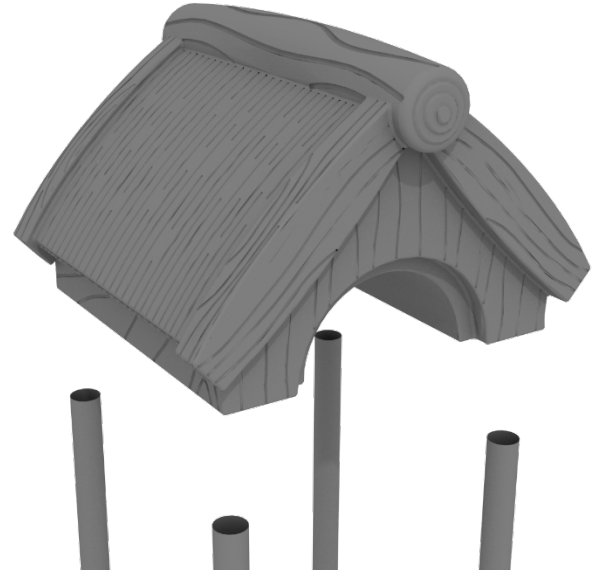
Install the Club House roof by using four (4) M4\*50 Self Tapping screws, and four (4) M8 Washers.



# Treehouse Gable Roof Installation

## STEP: 1

Place the Gable Roof on to the top of the posts of the appropriate deck.



## STEP: 1

Install the Gable Roof by using four (4) M4\*50 Self Tapping screws, and four (4) M8 Washers.

