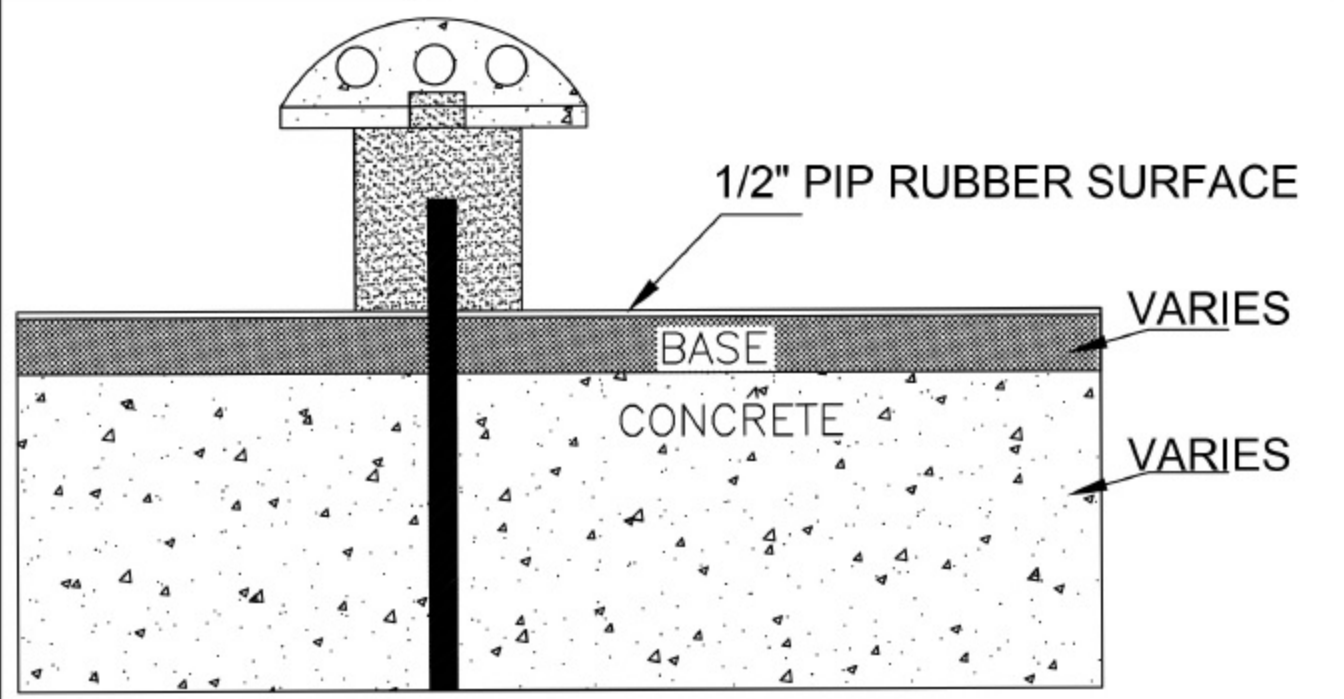
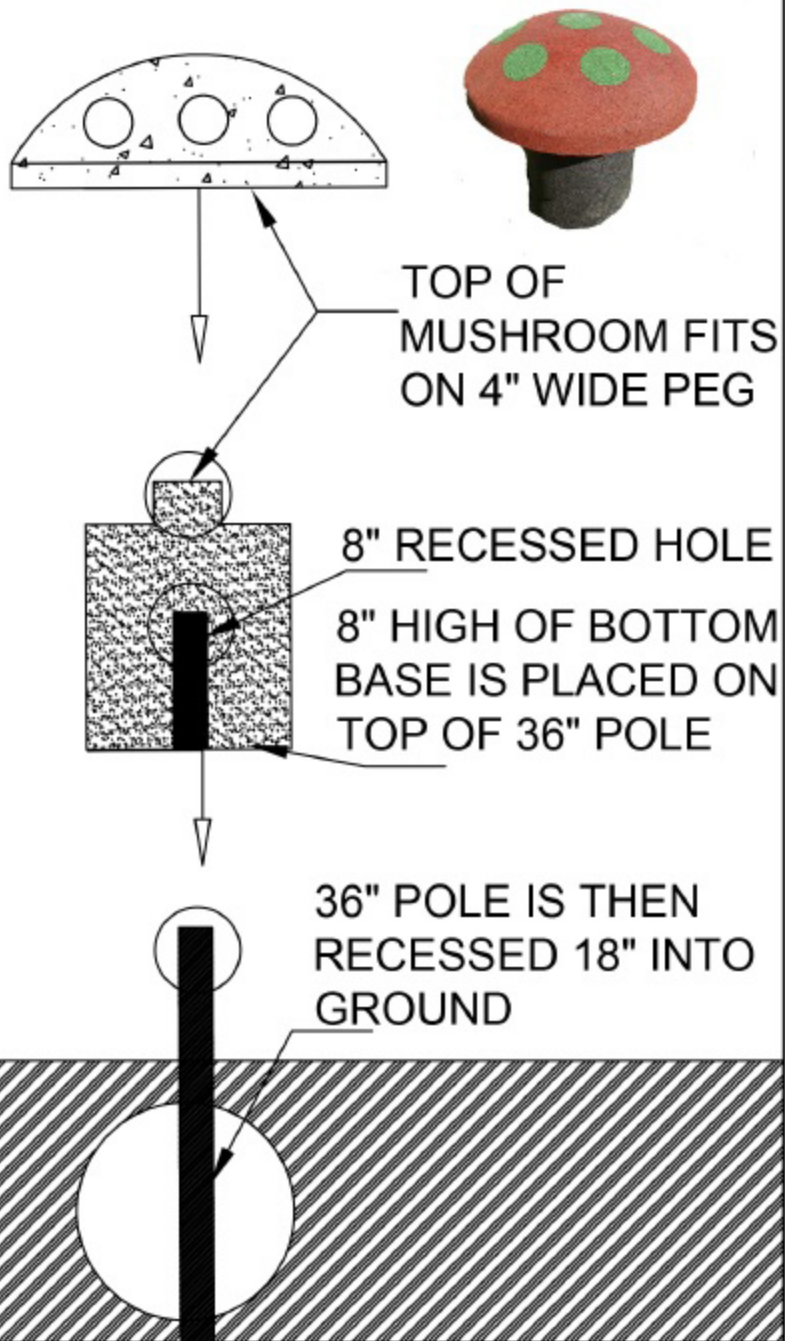
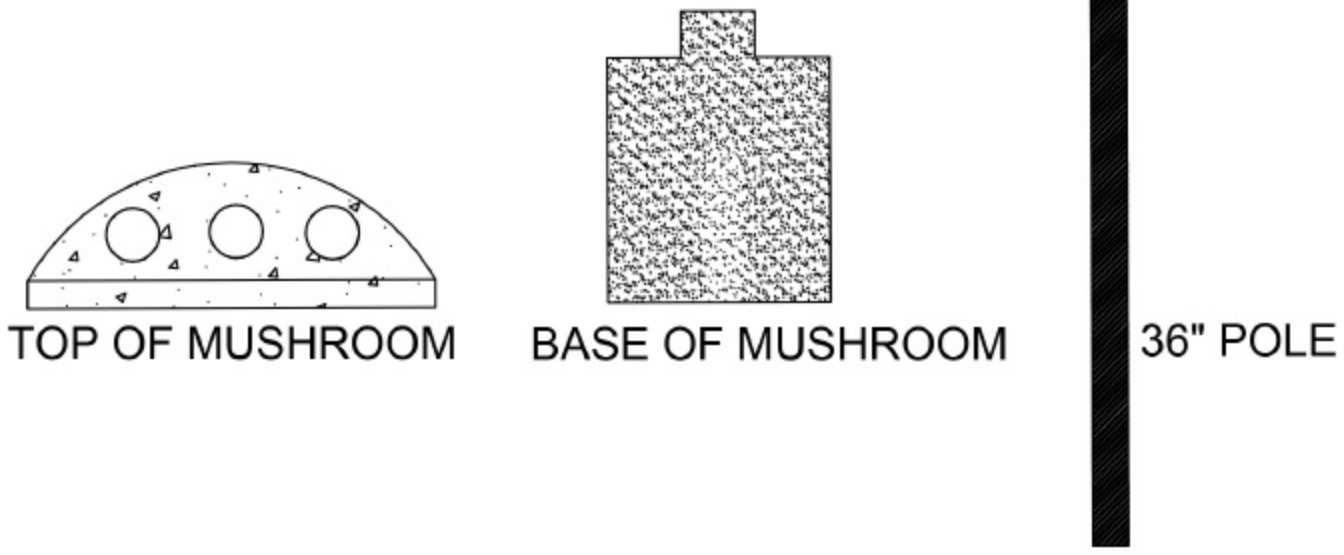


**MUSHROOM DIAGRAM**



WHEN YOU PURCHASE A RAINBOW SHROOM YOU RECIEVE:



1A  
Date: 06/20/14  
Drawn By: SJL

**RAINBOW SHROOMS**

Scale: NTS

Rubber Designs   
Better for the earth. Better for you.