

## UP269 STEP ZONE

Parts List		
DESCRIPTION	QTY	PART NUMBER
USAGE/WARNING LABEL SIGN POST	1	212030
STEP ZONE FRAME	2	408052
STEP ZONE NET	1	408055
<b>HARDWARE COMPLETE</b>	1	408056
1/4" BARREL NUT	12	804809
5/16" x 5/8" BUTTON HEAD SHOULDER BOLT	12	802742
5/16" LOCK WASHER	12	817330
1/2" ANCHOR ROD	6	135038
USAGE WARNING LABEL - STEP ZONE	1	408071

*Unless Otherwise Specified, All Units of Measure are Each  
Items listed below Hardware Complete line are included with Hardware Complete Number*

**Warning: During Installation, Hardware And Small Parts Are Choking Hazards For Young Children. Store Unused Parts Appropriately Until Assembly Is Completed. Once Assembly Is Completed, Remove Any Unused Parts From The Play Environment And Dispose/Save Them In A Secure Location. Any bolt end protruding more than two full threads beyond the face of the nut causes risk of clothing entanglement.**

**Promptly cut-off flush, file smooth, and treat to prevent corrosion.**

**Note: Peen Tee-Nuts and Flatwashers to match radius of pipe after assembly is complete.**

**Note: Loctite (supplied by others) should be used on any non-patch hardware.**

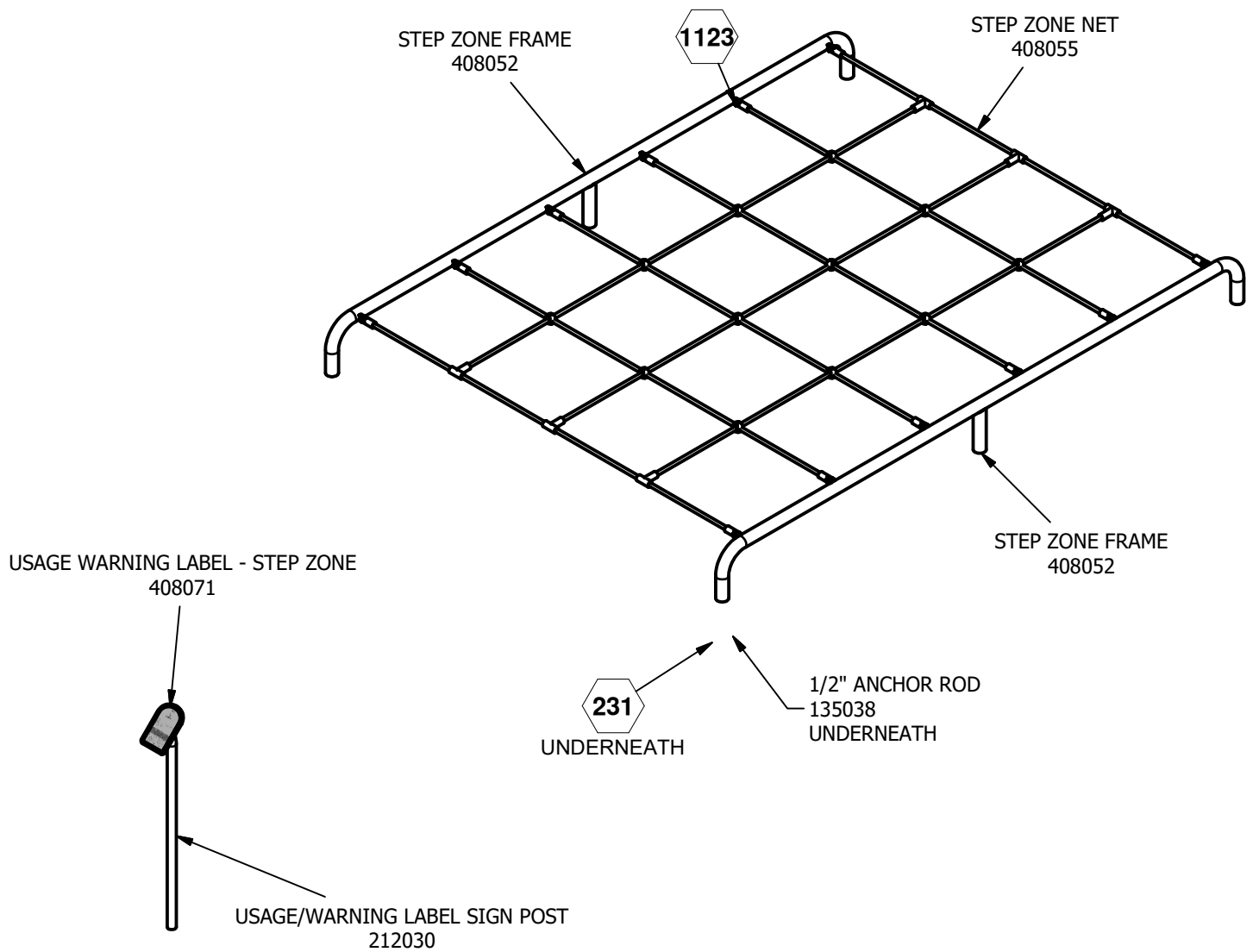
### **INSTALLATION INSTRUCTIONS:**

1. Determine where to place the Step Zone. Refer to order Top View.
2. Dig footing holes. Refer to Plan and Elevation Views.
3. Attach the Usage Warning Label - Step Zone to the Usage/Warning Label Sign Post and place in footing hole. Refer to Finished Assembly View and Plan View.
4. Attach the Step Zone Net to the Step Zone Frames. See Detail 1123.
5. Slide 1/2" Anchor Rods into Step Zone Frames. See Detail 231.
6. Place assembled Step Zone into footing holes.
7. When the Step Zone is plumb and level, tighten all fasteners and pour concrete footings within 4" to the top and taper away from supports to allow drainage. Allow to cure at least 48 hours before use.

### **MAINTENANCE PROCEDURE:**

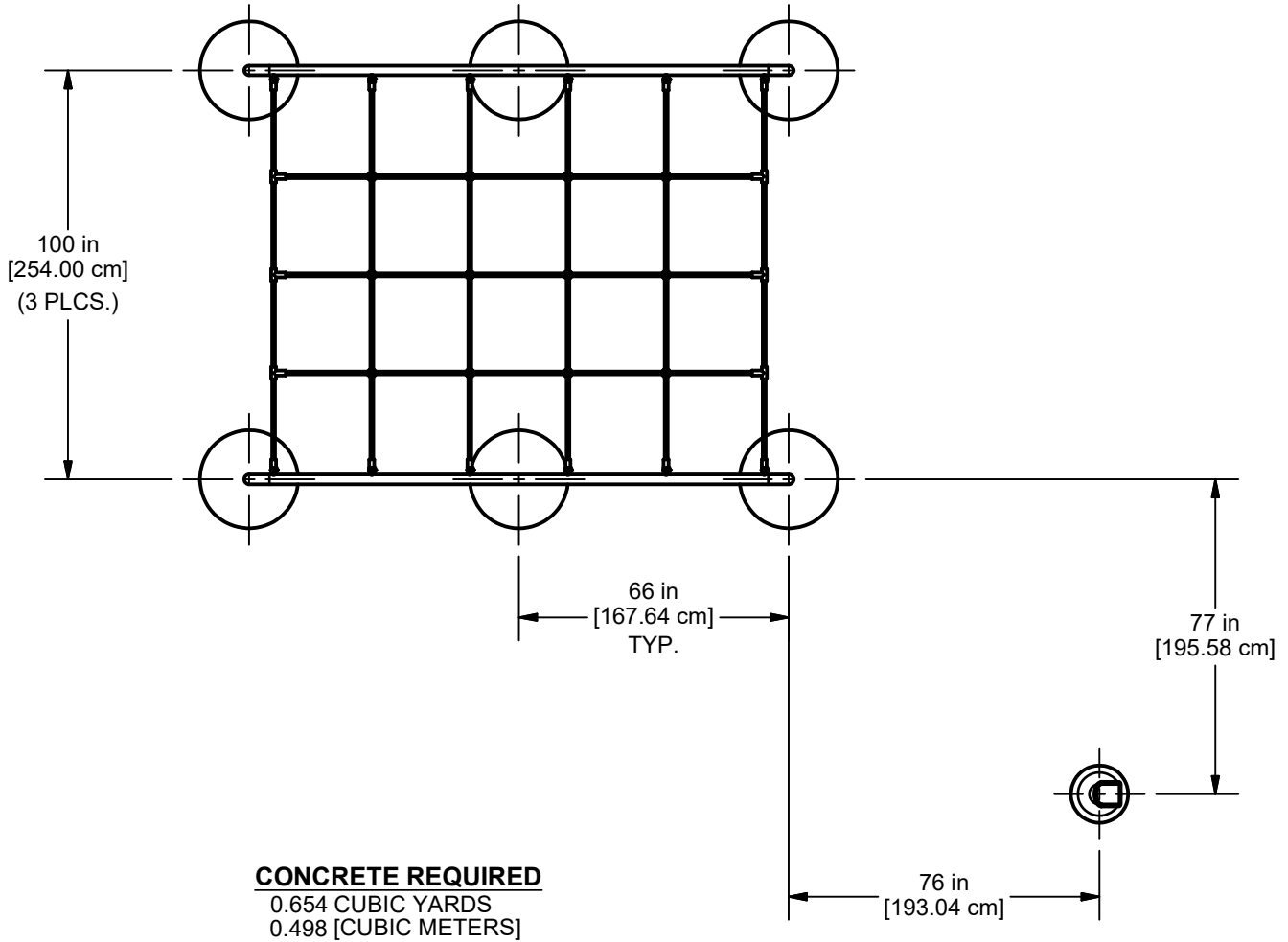
Periodically check hardware for tightness, and tighten as necessary. Always check all parts for breakage or wear, and immediately put equipment out of service until any faulty parts found are repaired or replaced. Also check all metal parts for rust, paint loss and touch-up if necessary with paint. Check welded areas and verify integrity. Check periodically resilient surfacing for appropriate depth and remove extraneous materials that could cause injury, infection, or disease. Maintain detailed installation, inspection, maintenance, and repair records for each public-use playground equipment.

## UP269 STEP ZONE

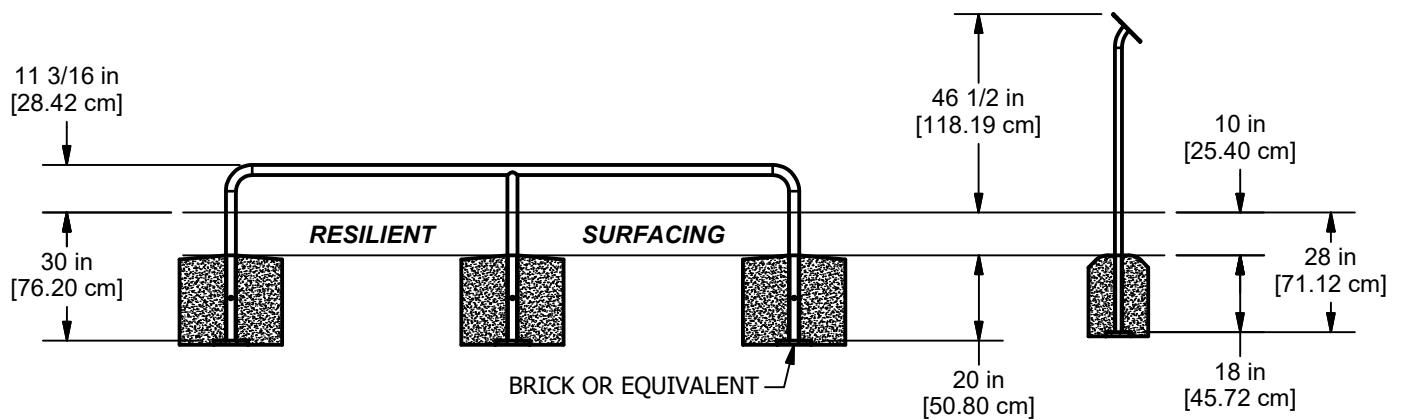


## UP269 STEP ZONE

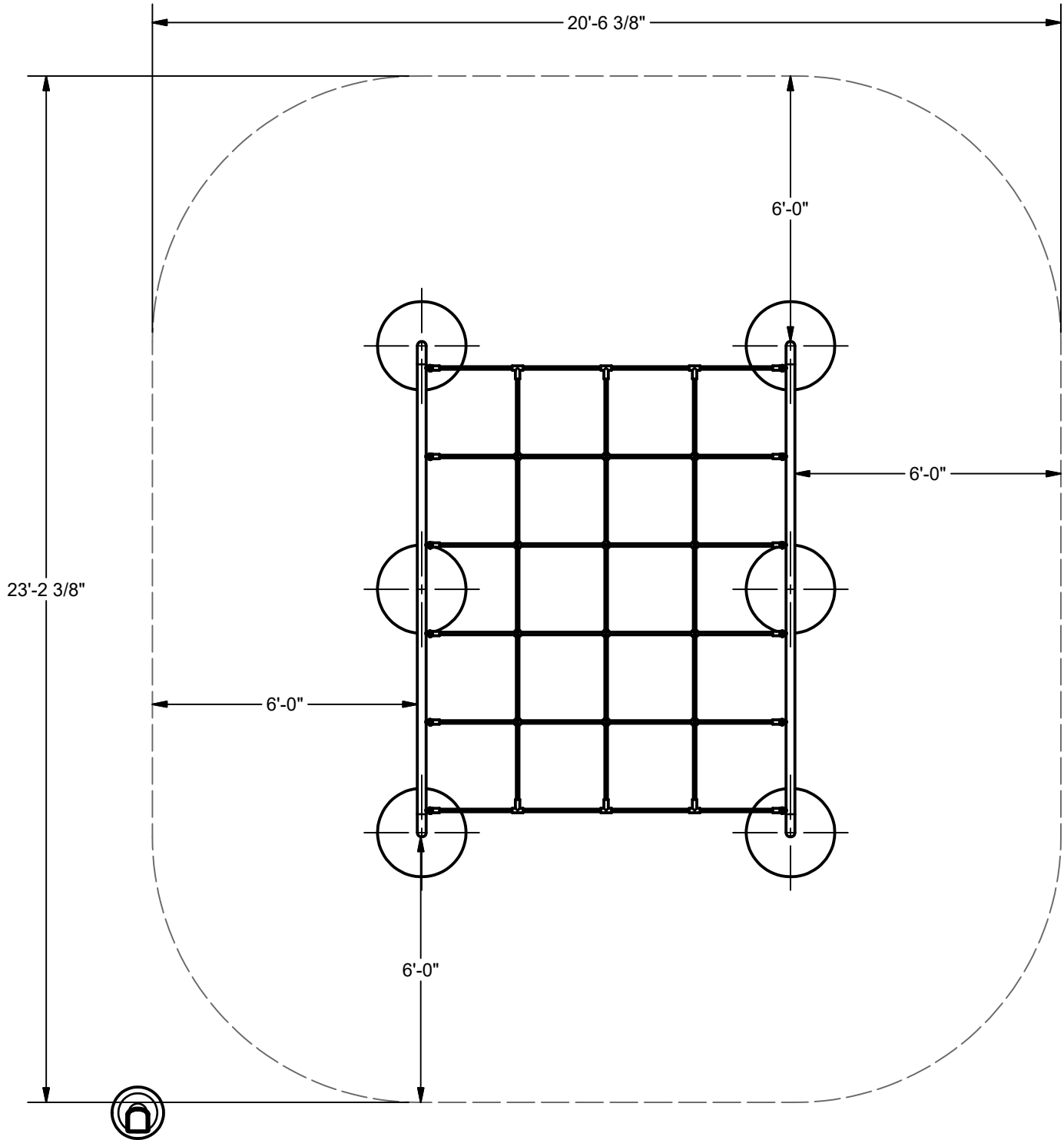
### PLAN VIEW

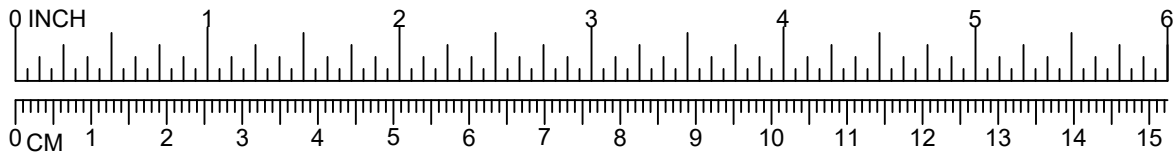


### ELEVATION VIEW

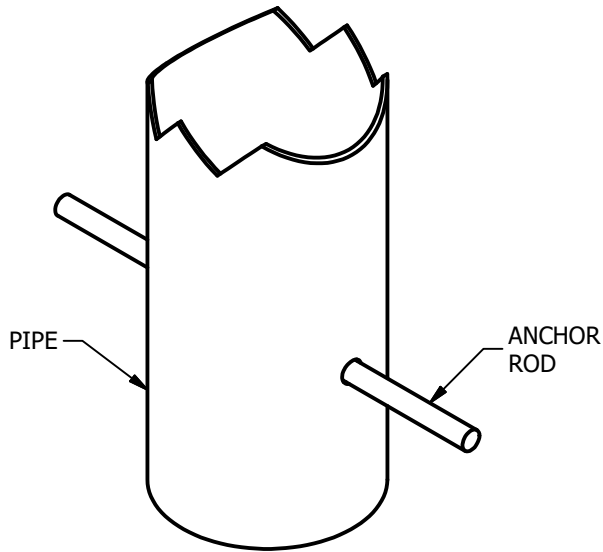


## UP269 STEP ZONE USE ZONE

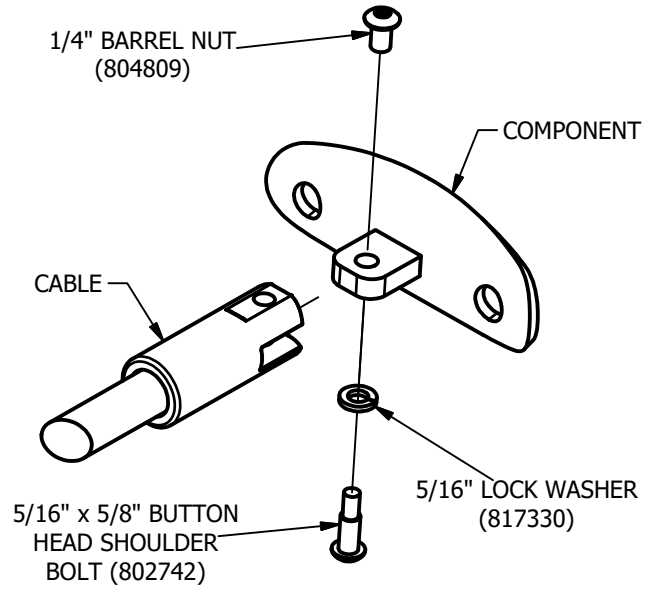




## UP269 STEP ZONE



231



1123