

UP270 STRETCH ZONE

Parts List		
DESCRIPTION	QTY	PART NUMBER
UPRIGHT	1	15CHUL
UPRIGHT 2	1	15CHUM
FORMED TAB	4	169926
STRETCH ZONE HAND RAIL	2	408058
STRETCH ZONE SIGN PANEL	1	408060
STRETCH ZONE FRAME	1	408073
STRETCH ZONE PIPE 4	2	408078
STRETCH ZONE PLATFORM	1	408079
STRETCH ZONE LABEL - ACCESSIBLE SIDE	1	408105
STRETCH ZONE LABEL - NON-ACCESSIBLE SIDE	1	408106
HARDWARE COMPLETE	1	408080
3/8" x 3/4" P.B.H.C.S. w/PATCH	4	812052
3/8" x 1" B.H.C.S.	4	811050
3/8" x 1" P.B.H.C.S. w/PATCH	12	812050
3/8" x 2" P.B.H.C.S. w/PATCH	2	812055
3/8" x 2 3/4" P.B.H.C.S. w/PATCH	14	812058
3/8" LOCK WASHER	36	817334
3/8" FLAT WASHER	12	817410
3/8" PLASTIC WASHER	4	817612
3/8" BARREL NUT	16	804804
3/8" HEX NUT	4	804053
1/2" ANCHOR ROD	4	135038
USAGE WARNING LABEL - STRETCH ZONE	1	408065

*Unless Otherwise Specified, All Units of Measure are Each
Items listed below Hardware Complete line are included with Hardware Complete Number*

Warning: During Installation, Hardware And Small Parts Are Choking Hazards For Young Children. Store Unused Parts Appropriately Until Assembly Is Completed. Once Assembly Is Completed, Remove Any Unused Parts From The Play Environment And Dispose/Save Them In A Secure Location. Any bolt end protruding more than two full threads beyond the face of the nut causes risk of clothing entanglement.

Promptly cut-off flush, file smooth, and treat to prevent corrosion.

Note: Peen Tee-Nuts and Flatwashers to match radius of pipe after assembly is complete.

Note: Loctite (supplied by others) should be used on any non-patch hardware.

UP270 STRETCH ZONE

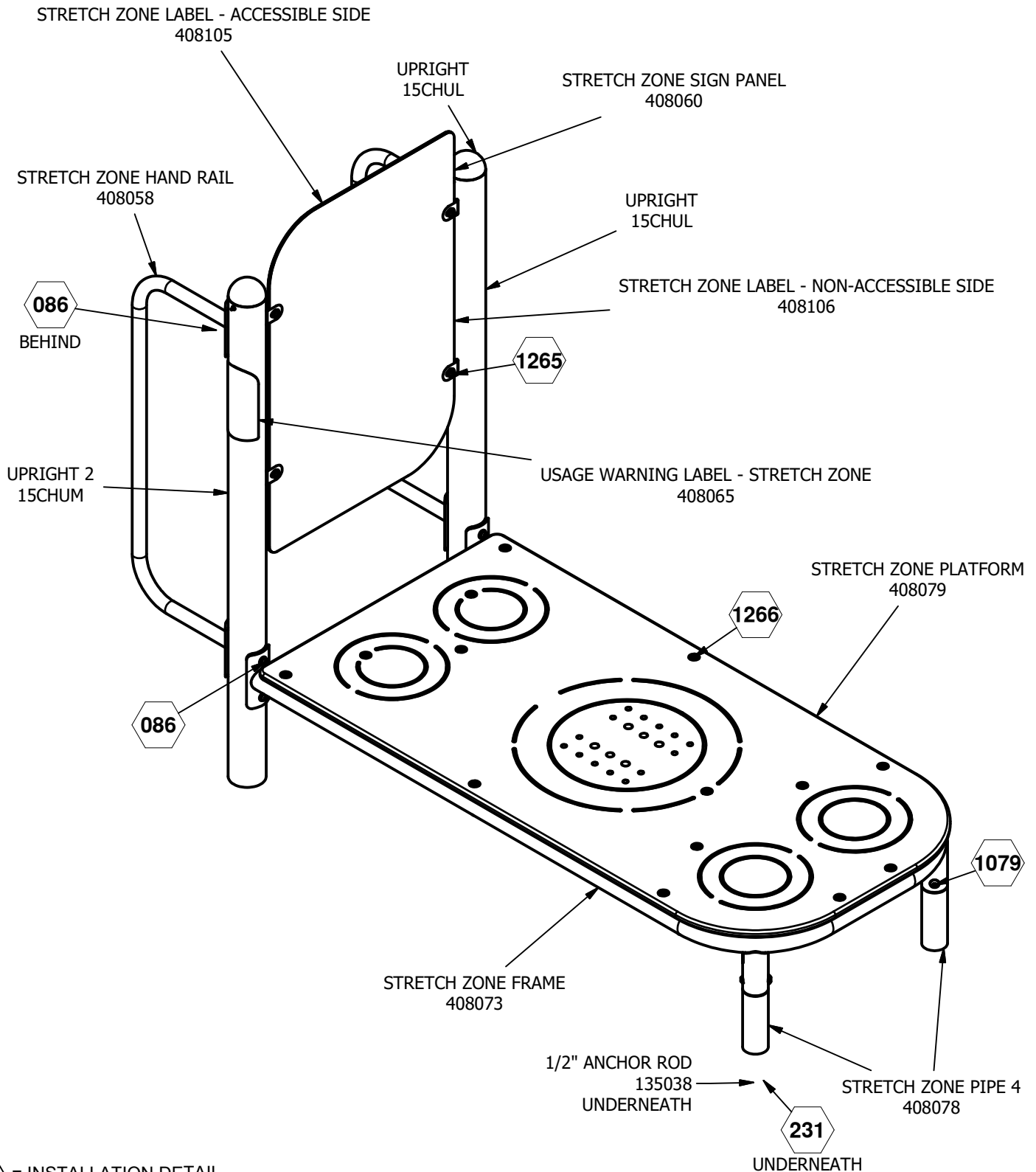
INSTALLATION INSTRUCTIONS:

1. Determine where to place the Stretch Zone. Refer to order Top View.
2. Dig footing as shown in Plan View.
3. Attach Stretch Zone Platform to Stretch Zone Frame. See Detail 1266.
4. Attach Stretch Zone Pipe 4 to assembled Stretch Zone Platform. See Detail 1079.
5. Attach assembled Stretch Zone Platform to Uprights. See Detail 086. Refer to Finished Assembly View for correct placement.
6. Attach Stretch Zone Hand Rails to Stretch Zone Uprights. See Detail 086.
7. Apply both Stretch Zone Labels to the Stretch Zone Sign Panel. Refer to Finished Assembly view for placement.
8. Attach Stretch Zone Sign Panel to Stretch Zone Uprights. See Detail 1265.
9. Attach Usage Warning Label - Stretch Zone to Stretch Zone Upright. Refer to Finished Assembly View for placement.
10. Place assembled Stretch Zone into footing holes.
11. When the Stretch Zone is plumb and level, tighten all fasteners and pour concrete footings within 4" to the top and taper away from supports to allow drainage. Allow to cure at least 48 hours before use.

MAINTENANCE PROCEDURE:

Periodically check hardware for tightness, and tighten as necessary. Always check all parts for breakage or wear, and immediately put equipment out of service until any faulty parts found are repaired or replaced. Also check all metal parts for rust, paint loss and touch-up if necessary with paint. Check welded areas and verify integrity. Check periodically resilient surfacing for appropriate depth and remove extraneous materials that could cause injury, infection, or disease. Maintain detailed installation, inspection, maintenance, and repair records for each public-use playground equipment.

UP270 STRETCH ZONE



⬡ = INSTALLATION DETAIL

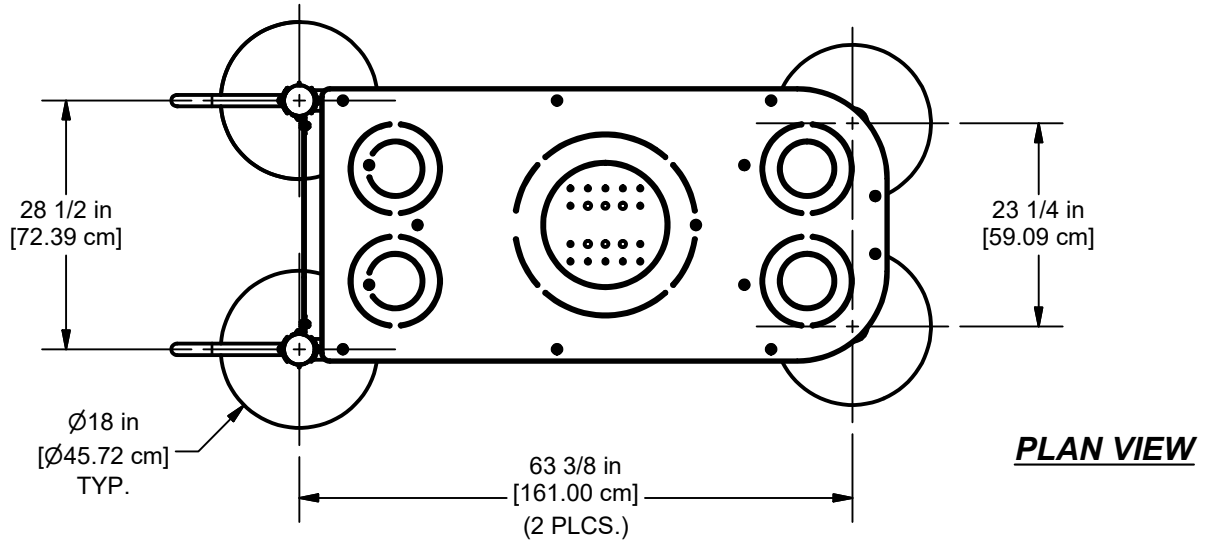
Issued/Revised: 4/25/2024

FINISHED ASSEMBLY

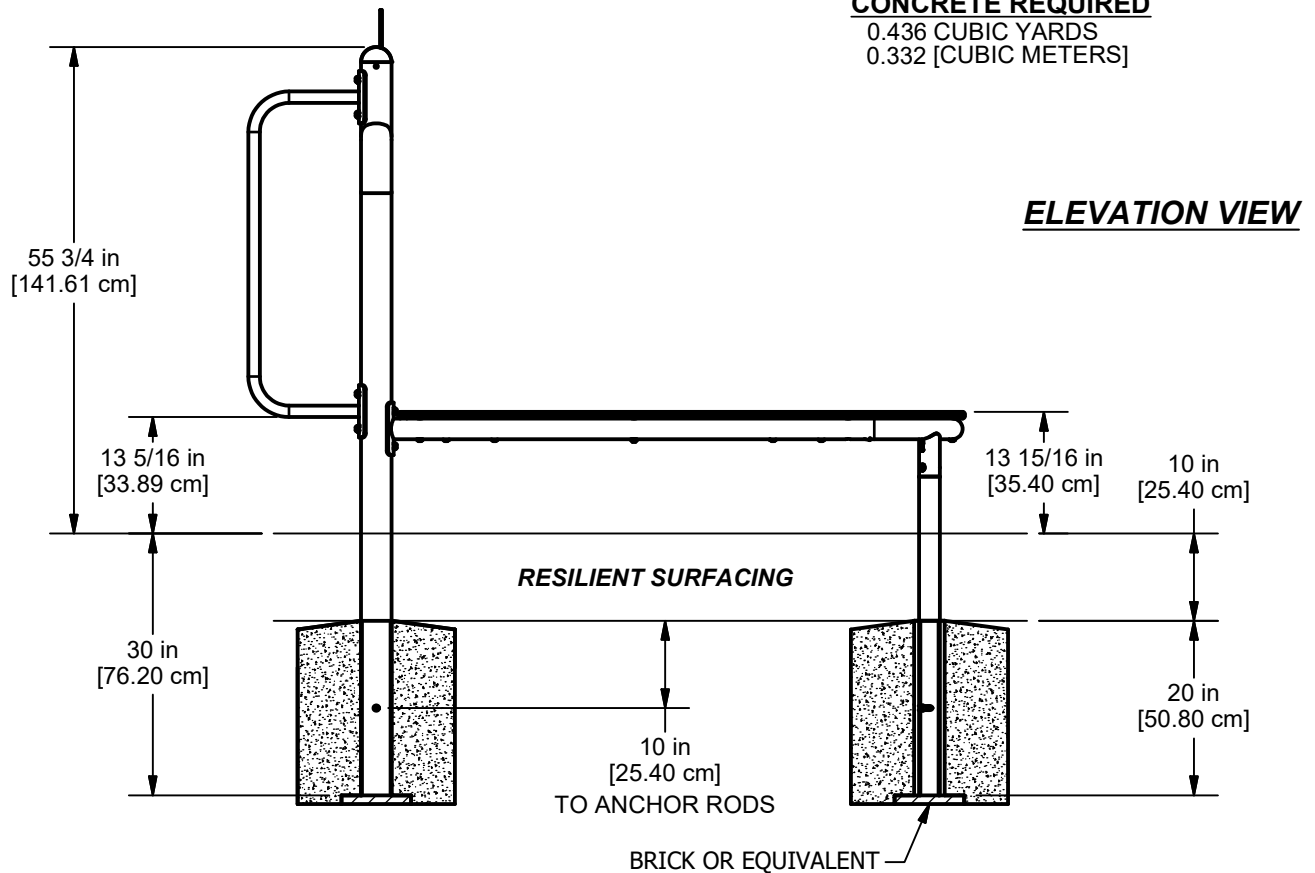
ultra siteTM

A PLAYCORE Company

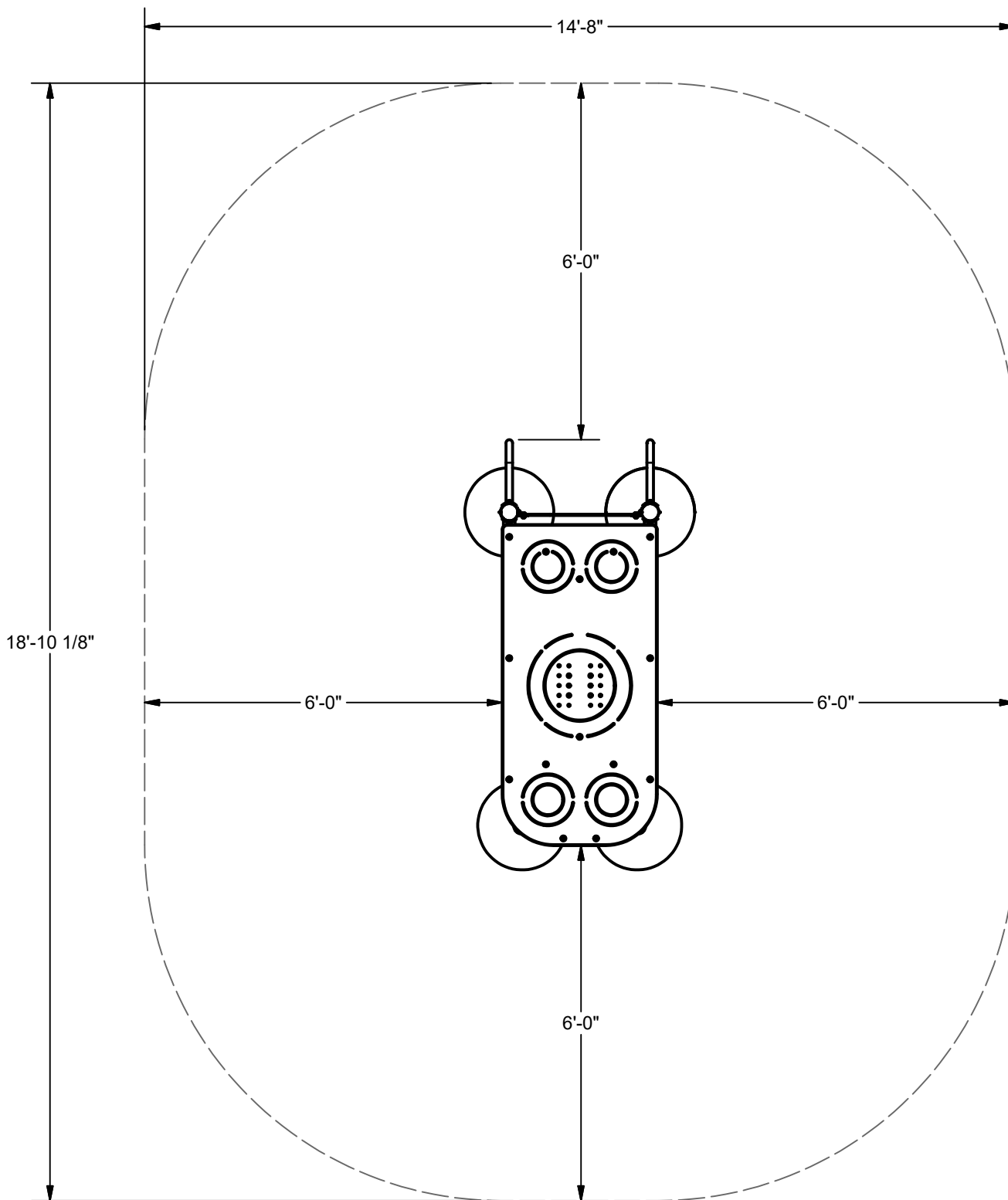
UP270 STRETCH ZONE



CONCRETE REQUIRED
 0.436 CUBIC YARDS
 0.332 [CUBIC METERS]

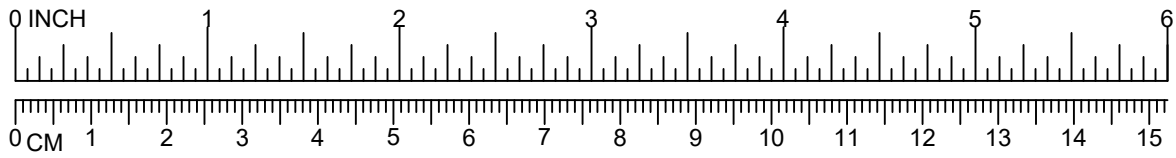


UP270 STRETCH ZONE USE ZONE

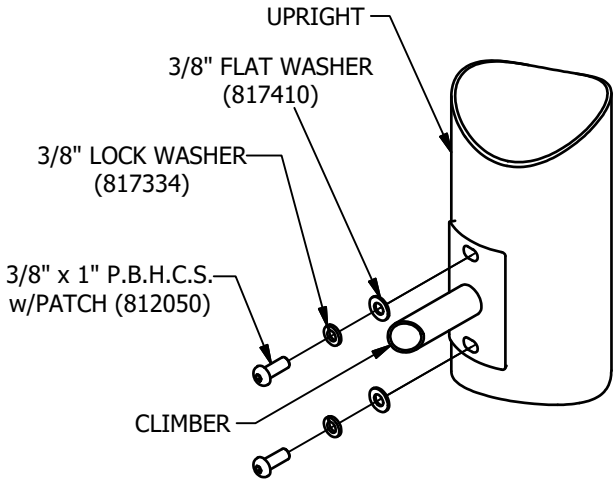


Issued/Revised: 4/25/2024

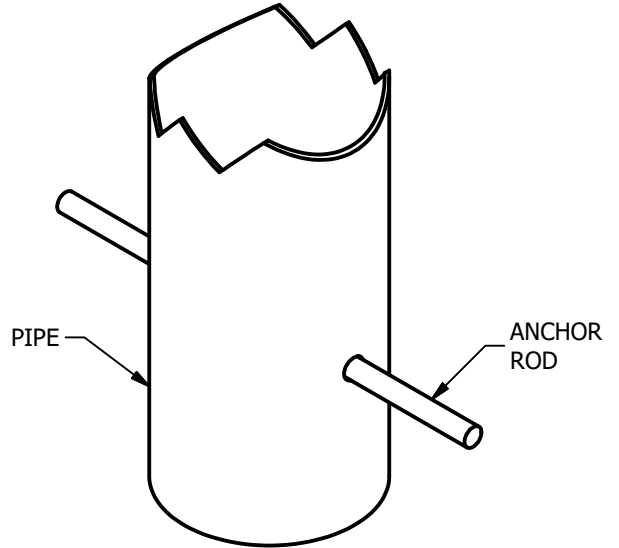
800.458.5872



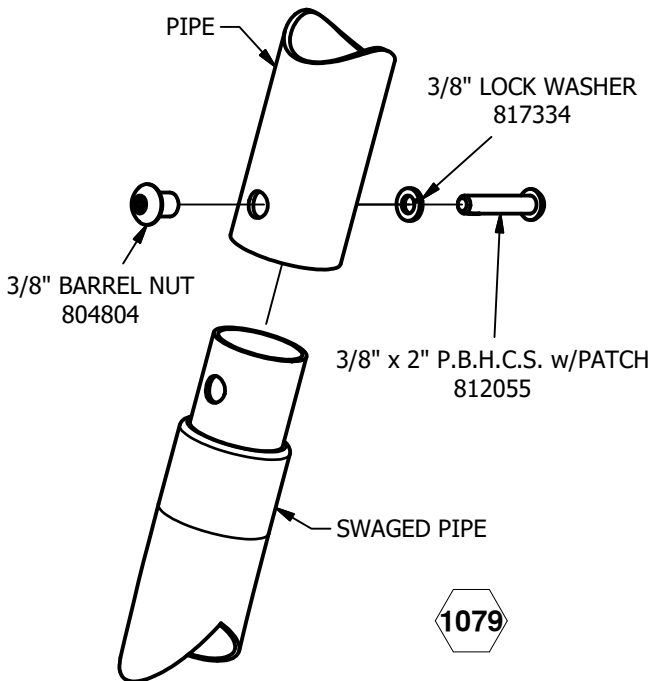
UP270 STRETCH ZONE



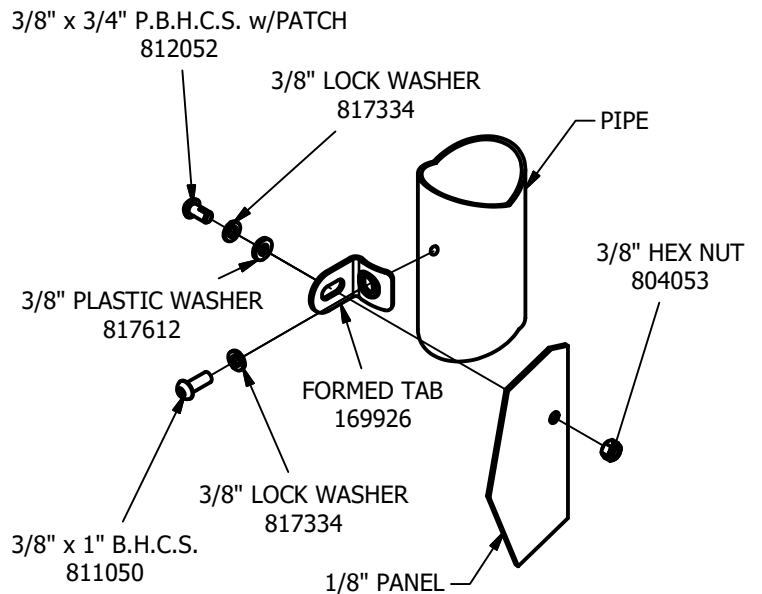
086



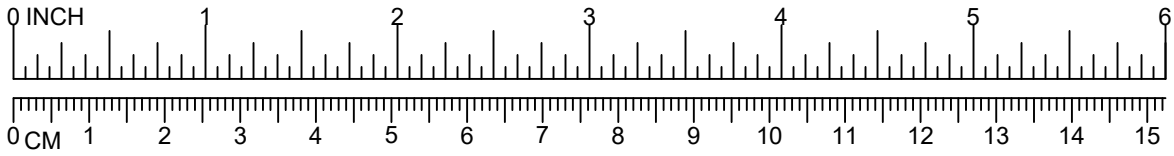
231



1079



1265



UP270 STRETCH ZONE

