

UP271 BALANCE ZONE

Parts List		
DESCRIPTION	QTY	PART NUMBER
53 1/2" SUPPORT	2	L638S
USAGE/WARNING LABEL SIGN POST	1	212030
400MM SPRG ANCHR SET W/PERCHES	2	402330
BALANCE ZONE PLATFORM	1	408067
HARDWARE COMPLETE	1	408068
3/8" x 2 1/4" B.H.C.S.	12	811056
3/8" S.S. FLAT WASHER	24	817460
3/8" FLAT WASHER (1 1/4" O.D.)	4	817424
3/8" LOCK NUT	12	804353
10MM DO-NUT BASE	12	G030
10MM DO-NUT CAP	12	G032
USAGE WARNING LABEL - BALANCE ZONE	1	408069

*Unless Otherwise Specified, All Units of Measure are Each
Items listed below Hardware Complete line are included with Hardware Complete Number*

Warning: During Installation, Hardware And Small Parts Are Choking Hazards For Young Children. Store Unused Parts Appropriately Until Assembly Is Completed. Once Assembly Is Completed, Remove Any Unused Parts From The Play Environment And Dispose/Save Them In A Secure Location. Any bolt end protruding more than two full threads beyond the face of the nut causes risk of clothing entanglement.

Promptly cut-off flush, file smooth, and treat to prevent corrosion.

Note: Peen Tee-Nuts and Flatwashers to match radius of pipe after assembly is complete.

Note: Loctite (supplied by others) should be used on any non-patch hardware.

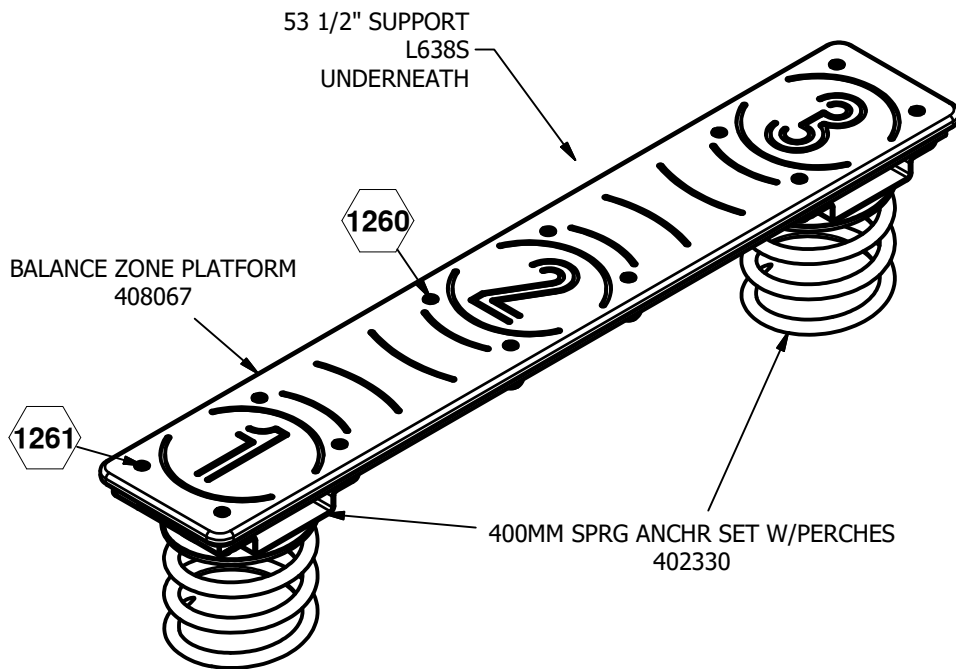
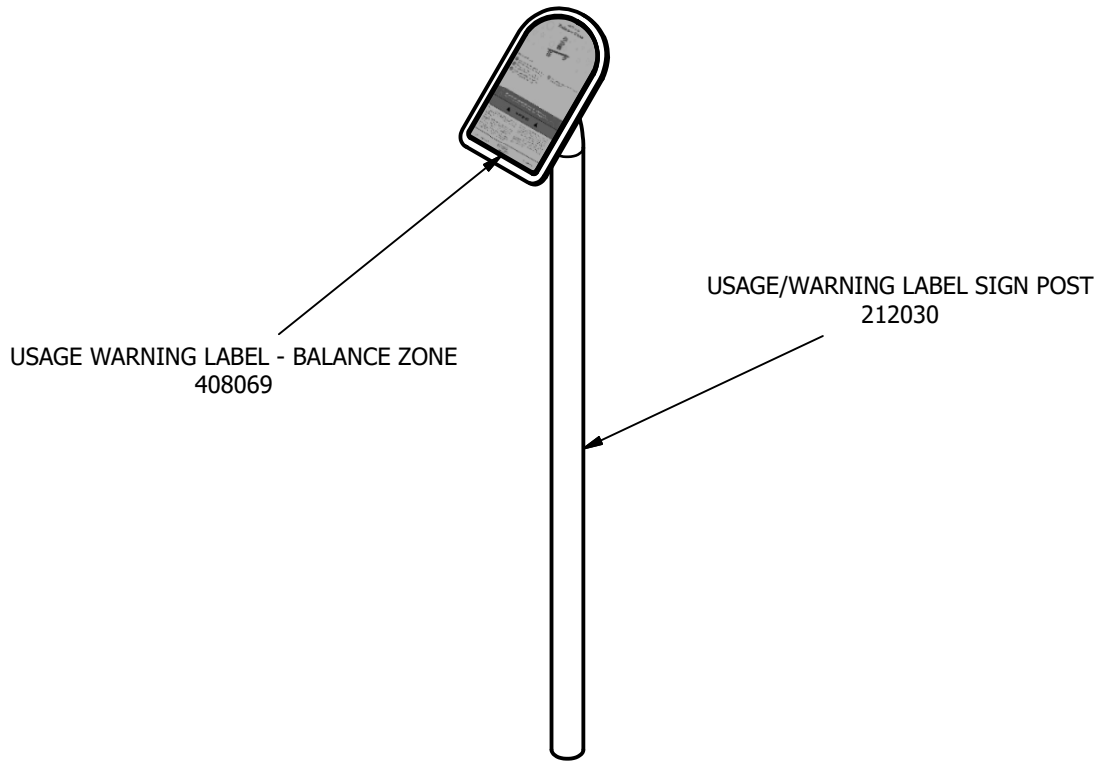
INSTALLATION INSTRUCTIONS:

1. Determine where to place the Balance Zone. Refer to order Top View.
2. Dig footing holes. Refer to Plan and Elevation Views.
3. Attach the Usage Warning Label - Balance Zone to the Usage/Warning Label Sign Post and place in footing hole. Refer to Finished Assembly View and Plan View.
4. Attach the Balance Zone Platform to 53 1/2" Supports using the center 4 holes. See Detail 1260.
5. Attach the Balance Zone Platform and 53 1/2" Support assembly to the 400mm Spring Anchor Sets. See Detail 1261. Refer to Finished Assembly view for orientation.
6. Place assembled Balance Zone into footing holes. Refer to Finished Assembly views.
7. When the Balance Zone is plumb and level, tighten all fasteners and pour concrete footings within 4" to the top and taper away from supports to allow drainage. Allow to cure at least 48 hours before use.

MAINTENANCE PROCEDURE:

Periodically check hardware for tightness, and tighten as necessary. Always check all parts for breakage or wear, and immediately put equipment out of service until any faulty parts found are repaired or replaced. Also check all metal parts for rust, paint loss and touch-up if necessary with paint. Check welded areas and verify integrity. Check periodically resilient surfacing for appropriate depth and remove extraneous materials that could cause injury, infection, or disease. Maintain detailed installation, inspection, maintenance, and repair records for each public-use playground equipment.

UP271 BALANCE ZONE



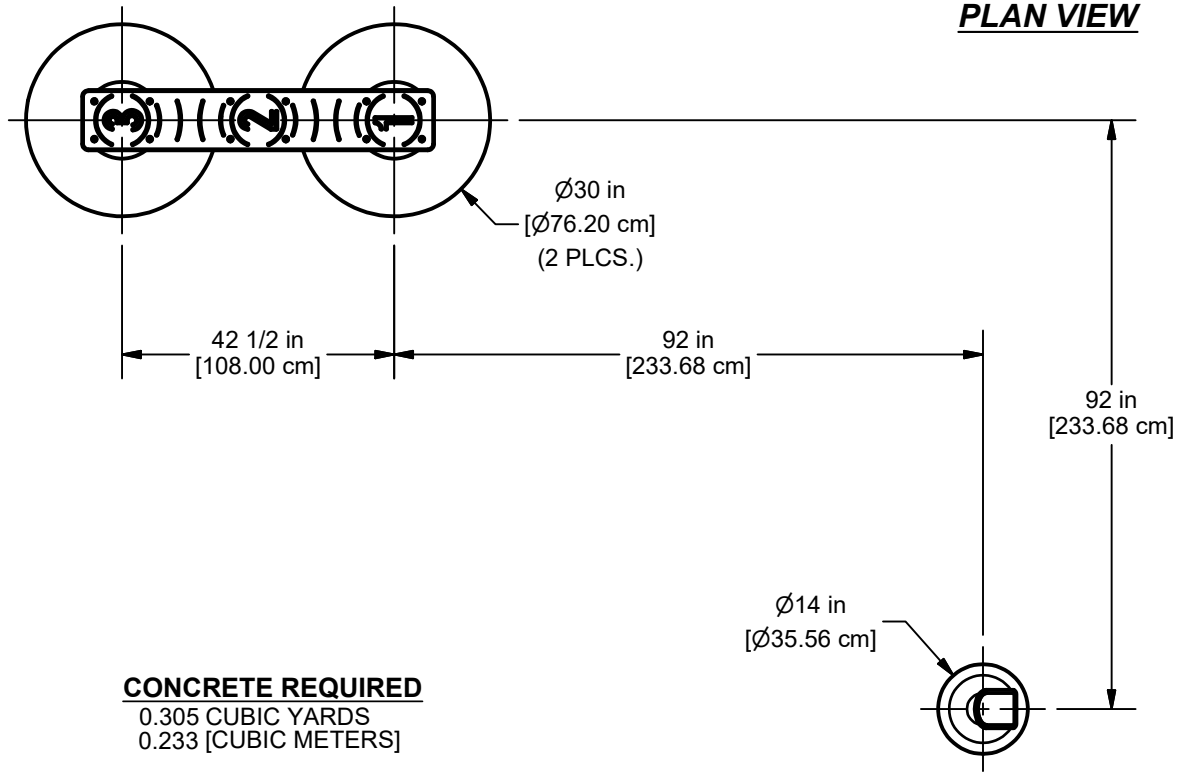
 = INSTALLATION DETAIL

Issued/Revised: 4/25/2024

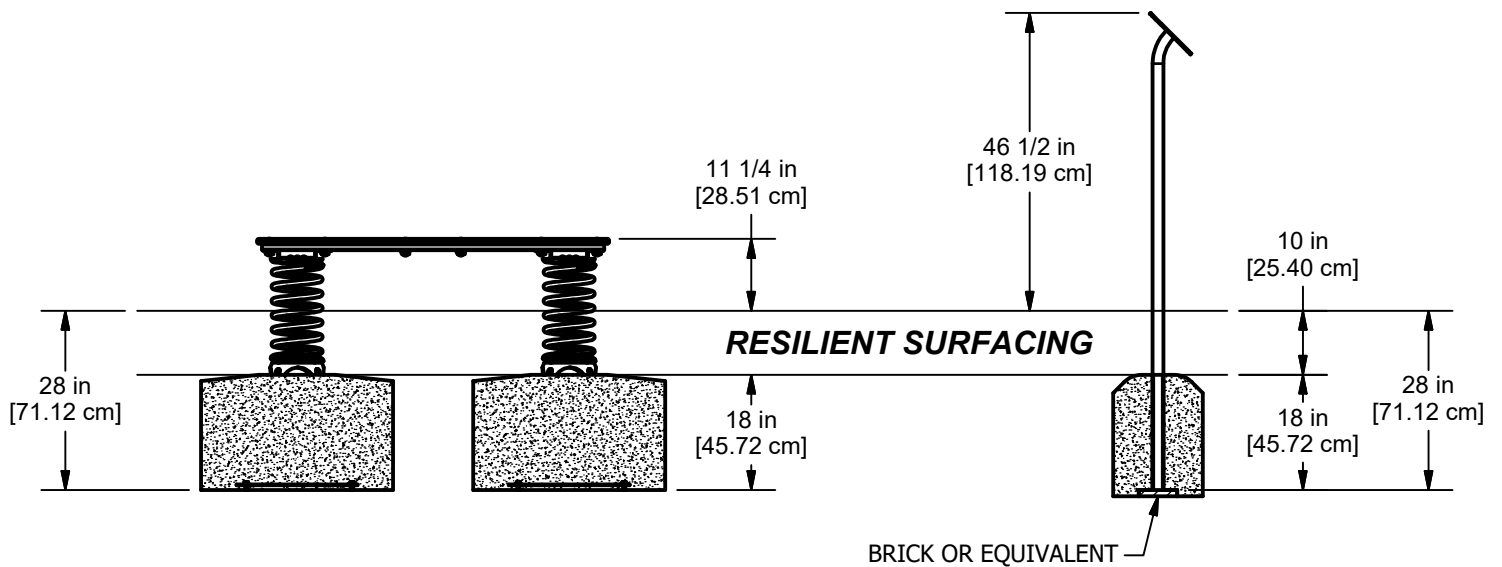
FINISHED ASSEMBLY

UP271 BALANCE ZONE

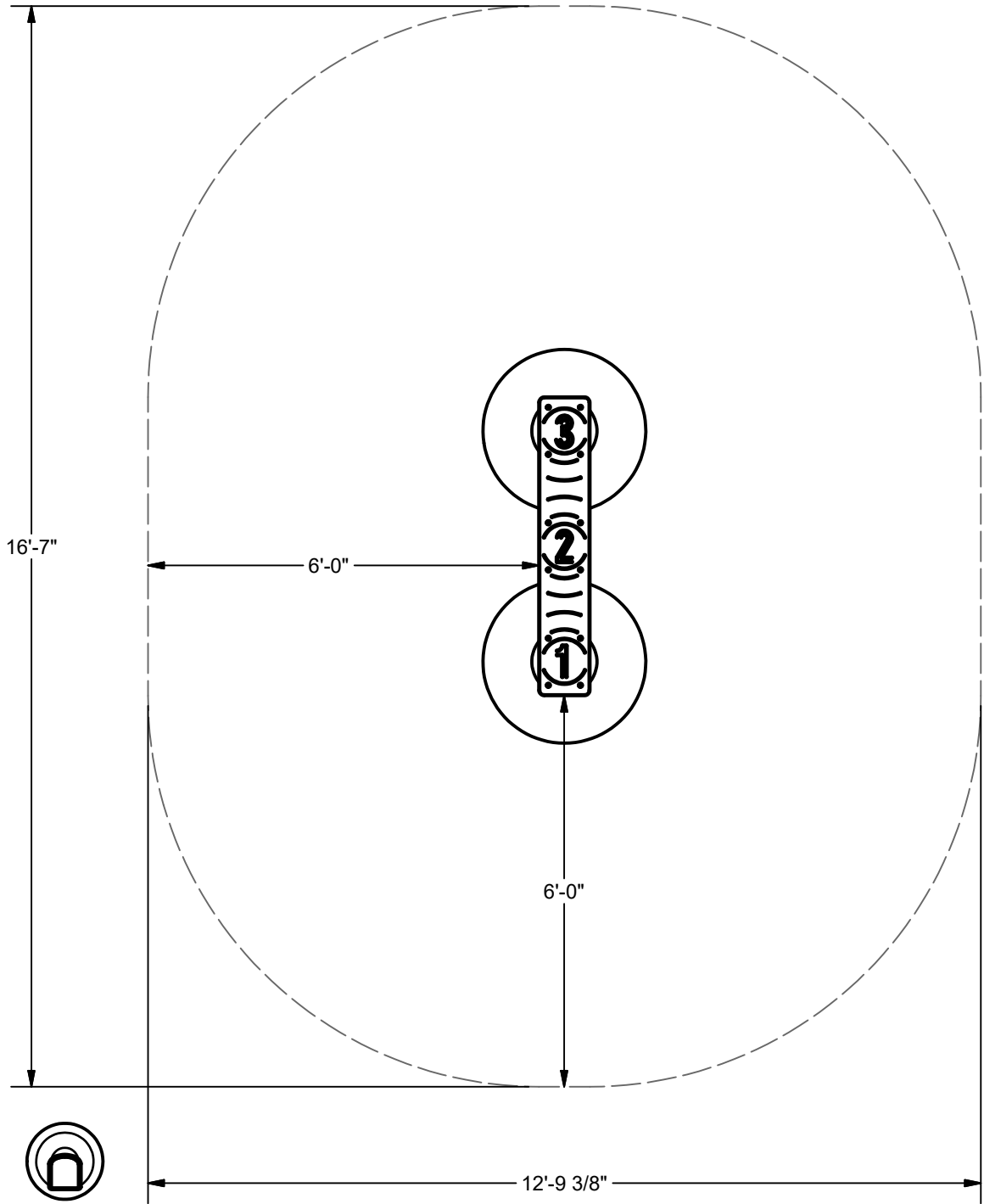
PLAN VIEW

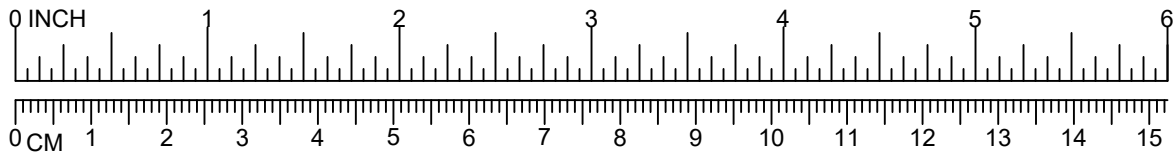


ELEVATION VIEW



UP271 BALANCE ZONE USE ZONE





UP271 BALANCE ZONE

