

## UP273 HERO ZONE

Parts List		
DESCRIPTION	QTY	PART NUMBER
USAGE/WARNING LABEL SIGN POST	1	212030
HERO ZONE FRAME	2	408093
HERO ZONE PANEL	2	408097
HERO ZONE PIPE 4	4	408099
HERO ZONE PIPE 5	4	408101
HERO ZONE STEP 1	8	408113
HERO ZONE STEP 2	2	408114
<b>HARDWARE COMPLETE</b>	1	408103
3/8" x 2" P.B.H.C.S. w/PATCH	8	812055
3/8" x 2 1/4" P.B.H.C.S. w/PATCH	16	812056
3/8" x 2 3/4" P.B.H.C.S. w/PATCH	12	812058
3/8" x 3" P.B.H.C.S. w/PATCH	24	812059
3/8" LOCK WASHER	60	817334
3/8" BARREL NUT	60	804804
1/2" ANCHOR ROD	8	135038
USAGE WARNING LABEL - HERO ZONE	1	408102

*Unless Otherwise Specified, All Units of Measure are Each  
Items listed below Hardware Complete line are included with Hardware Complete Number*

**Warning: During Installation, Hardware And Small Parts Are Choking Hazards For Young Children. Store Unused Parts Appropriately Until Assembly Is Completed. Once Assembly Is Completed, Remove Any Unused Parts From The Play Environment And Dispose/Save Them In A Secure Location. Any bolt end protruding more than two full threads beyond the face of the nut causes risk of clothing entanglement. Promptly cut-off flush, file smooth, and treat to prevent corrosion.**

**Note: Peen Tee-Nuts and Flatwashers to match radius of pipe after assembly is complete.**

**Note: Loctite (supplied by others) should be used on any non-patch hardware.**

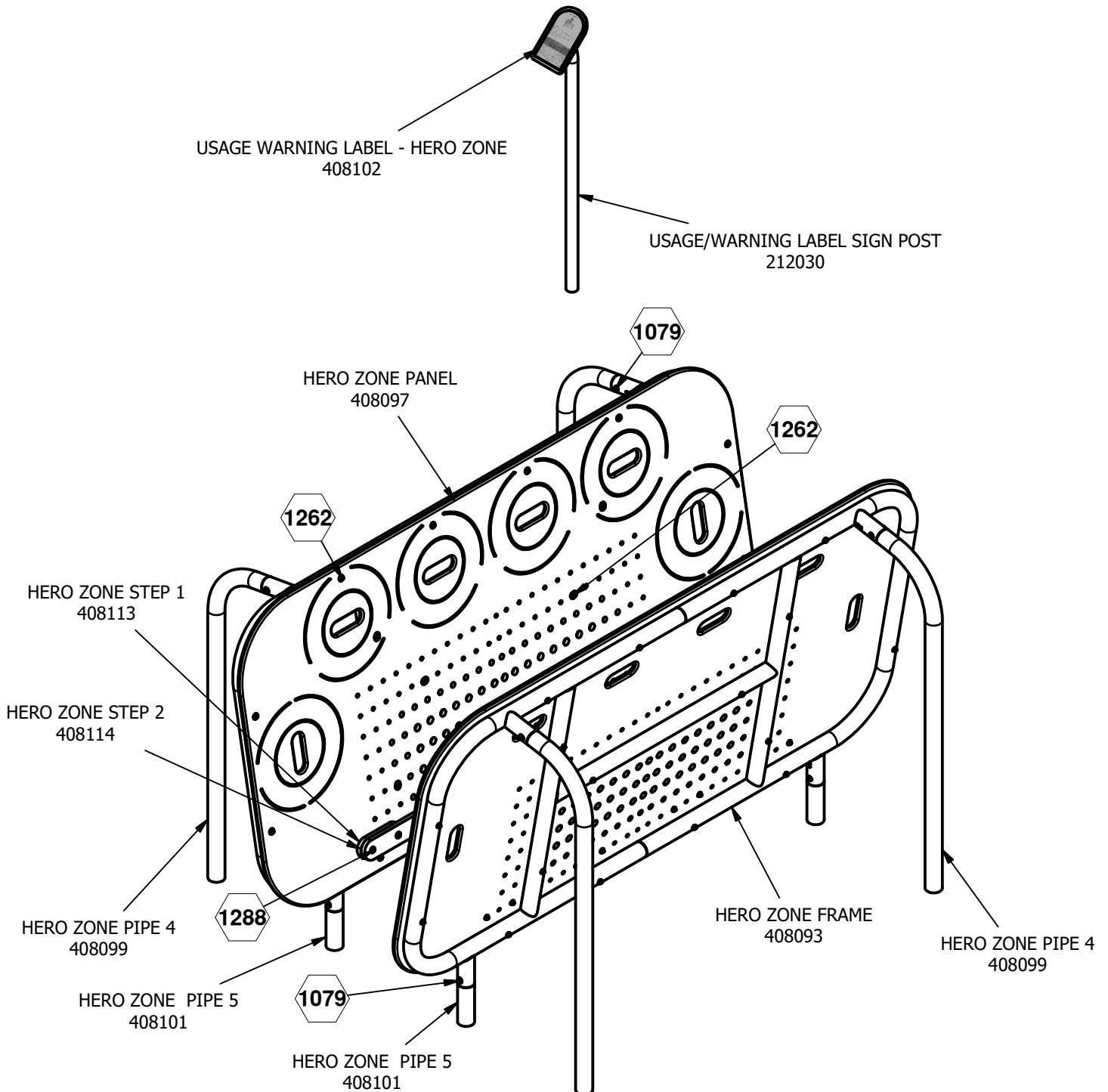
### **INSTALLATION INSTRUCTIONS:**

1. Determine where to place the Hero Zone. Refer to order Top View.
2. Dig footing holes. Refer to Plan and Elevation Views.
3. Attach the Usage Warning Label - Hero Zone to the Usage/Warning Label Sign Post and place in footing hole. Refer to Finished Assembly View and Plan View.
4. Attach Hero Zone Step 1's and Hero Zone Step 2's to the Hero Zone Panels along the bottom row of 1/2" holes. See Detail 1288.
5. Attach assembled Hero Zone Panels to Hero Zone Frames. Start with interior holes of Hero Zone Panels, then field drill holes around perimeter. See Detail 1262.
6. Attach Hero Zone Frames to Hero Zone Pipe 5's. See Detail 1079.
7. Attach Hero Zone Frames to Hero Zone Pipe 4's. See Detail 1079.
8. Place assembled Hero Zones into footing holes.
9. When the Hero Zone are plumb and level, tighten all fasteners and pour concrete footings within 4" to the top and taper away from supports to allow drainage. Allow to cure at least 48 hours before use.

## UP273 HERO ZONE

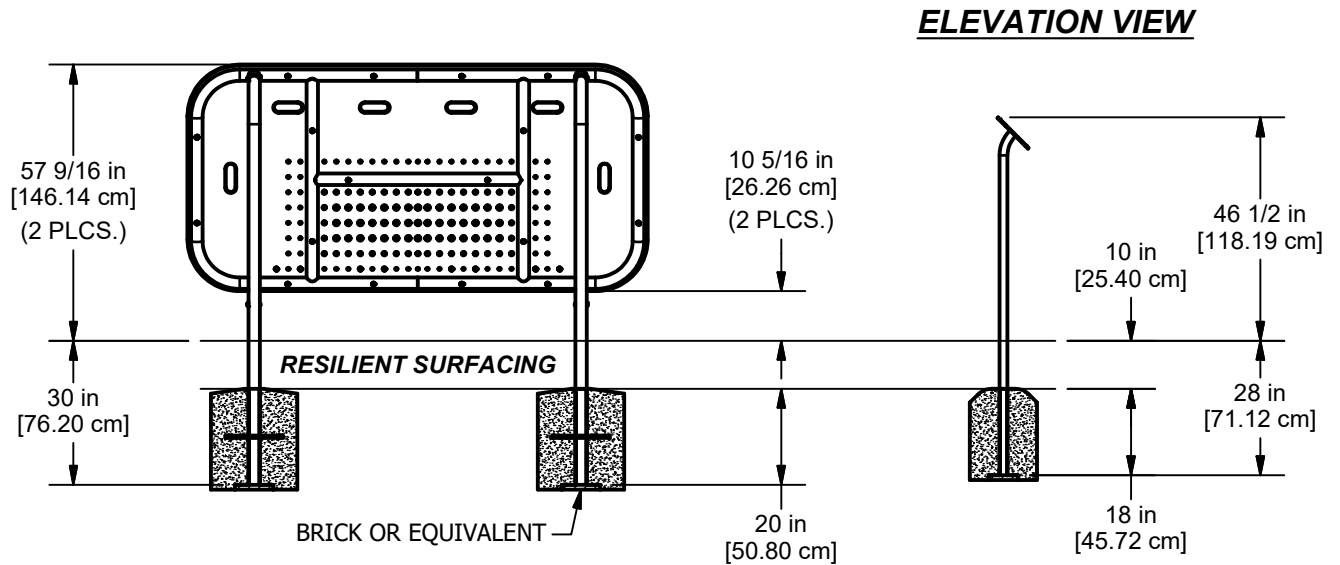
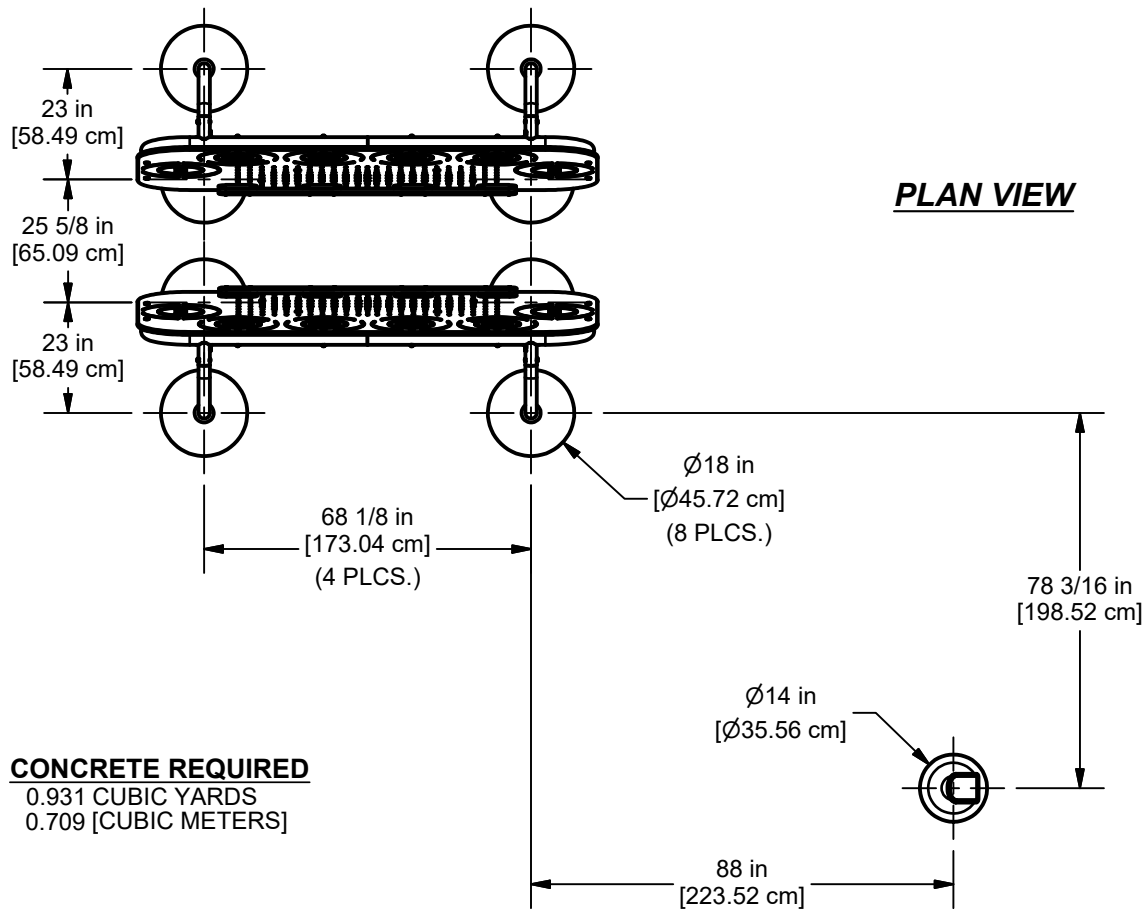
### **MAINTENANCE PROCEDURE:**

Periodically check hardware for tightness, and tighten as necessary. Always check all parts for breakage or wear, and immediately put equipment out of service until any faulty parts found are repaired or replaced. Also check all metal parts for rust, paint loss and touch-up if necessary with paint. Check welded areas and verify integrity. Check periodically resilient surfacing for appropriate depth and remove extraneous materials that could cause injury, infection, or disease. Maintain detailed installation, inspection, maintenance, and repair records for each public-use playground equipment.

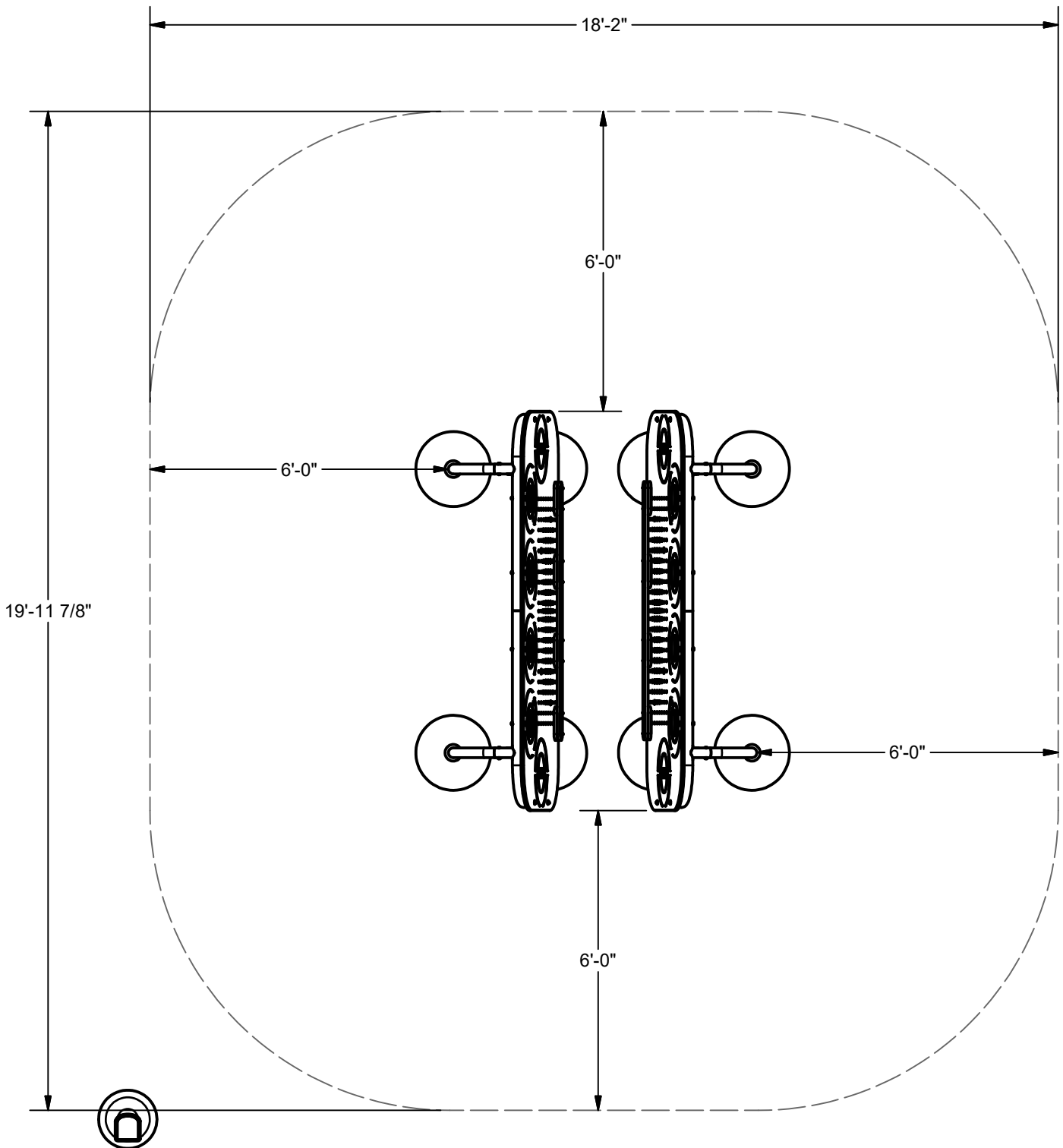


Issued/Revised: 4/25/2024

## UP273 HERO ZONE

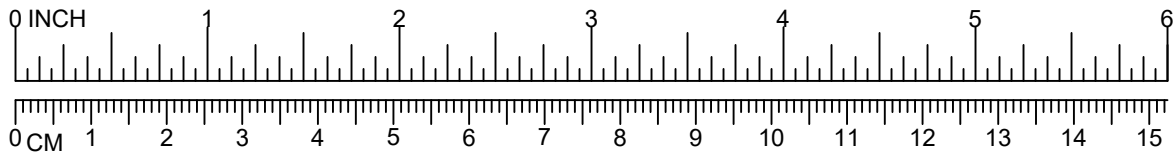


## UP273 HERO ZONE USE ZONE



### USE ZONE

Issued/Revised: 4/25/2024



# UP273 HERO ZONE

